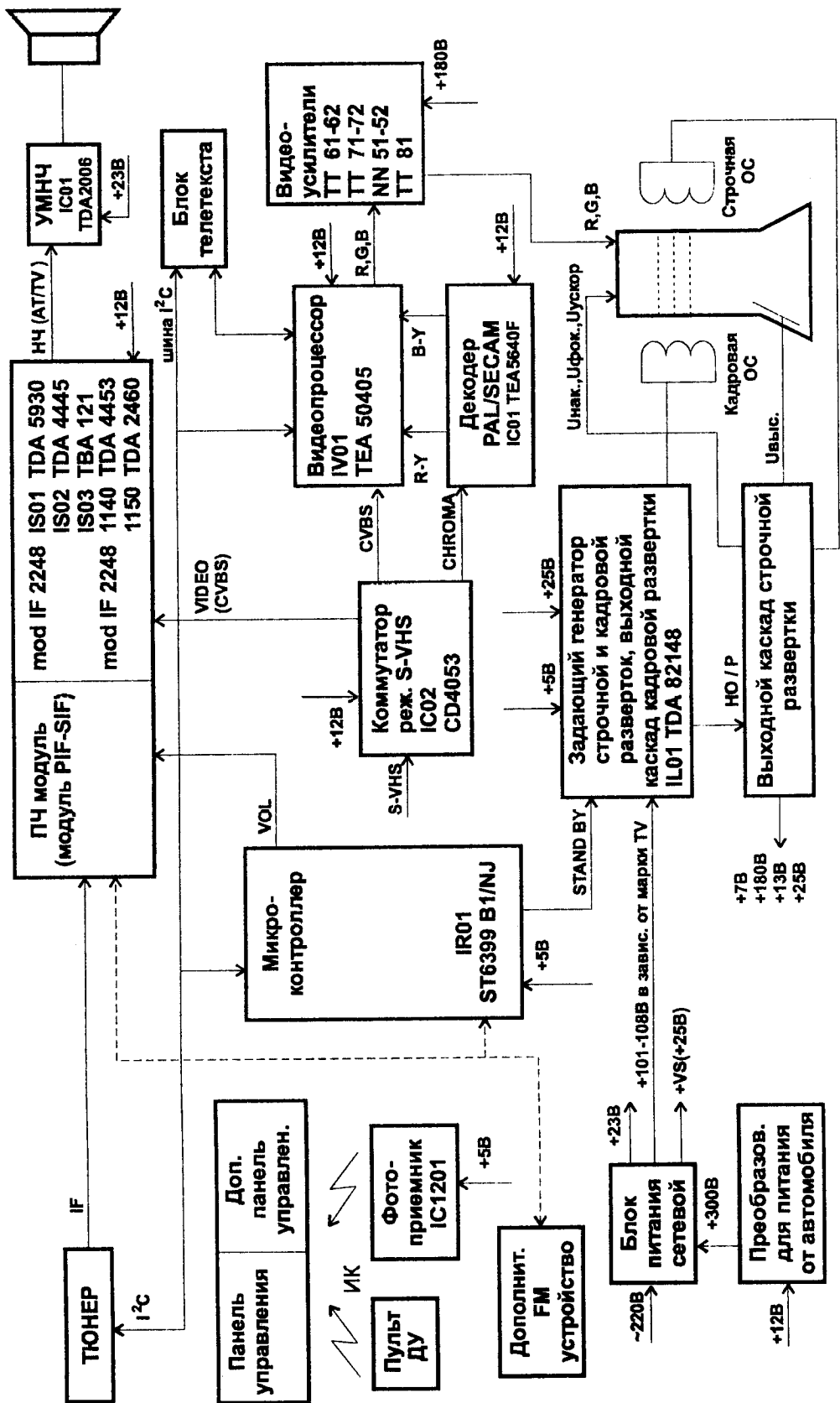
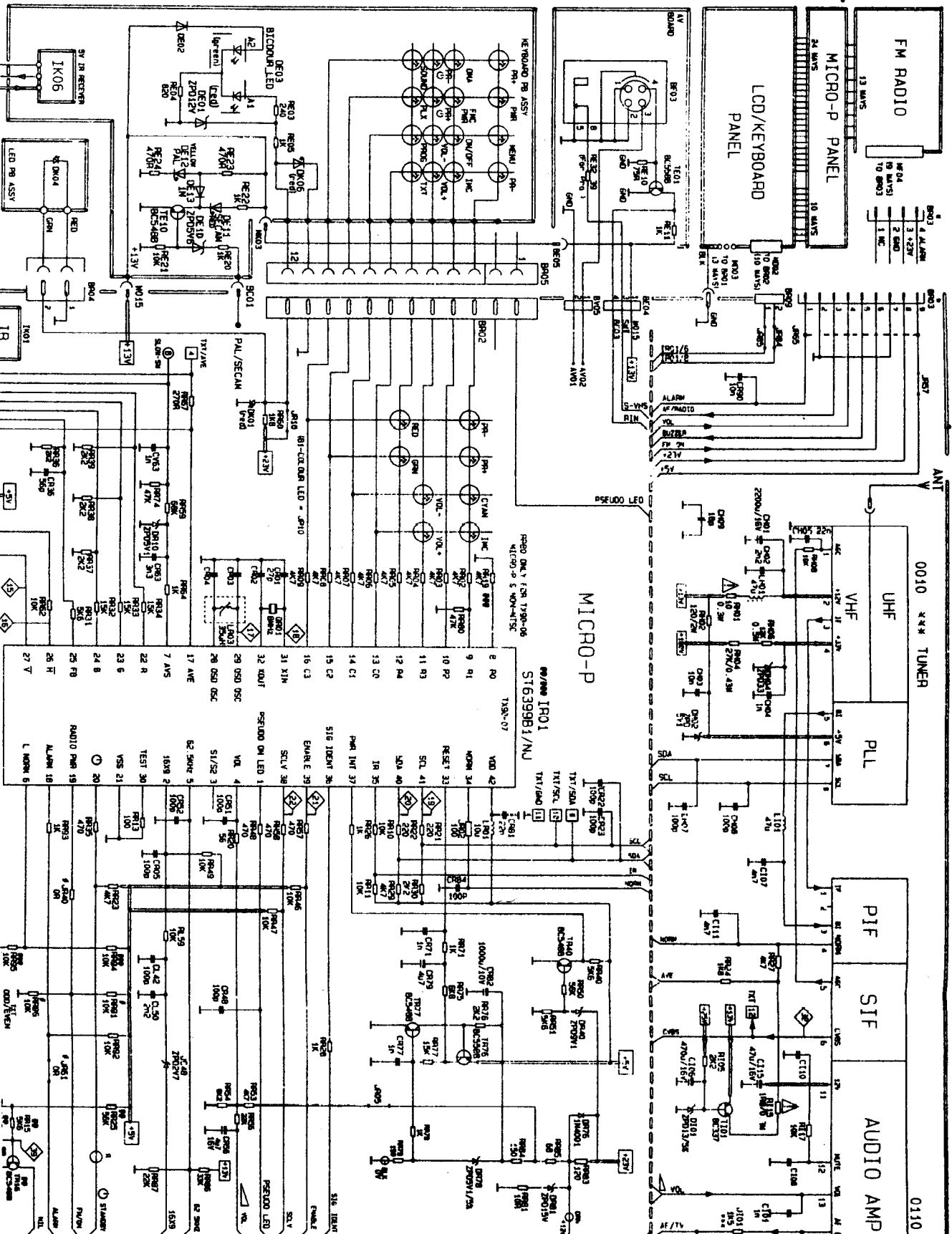
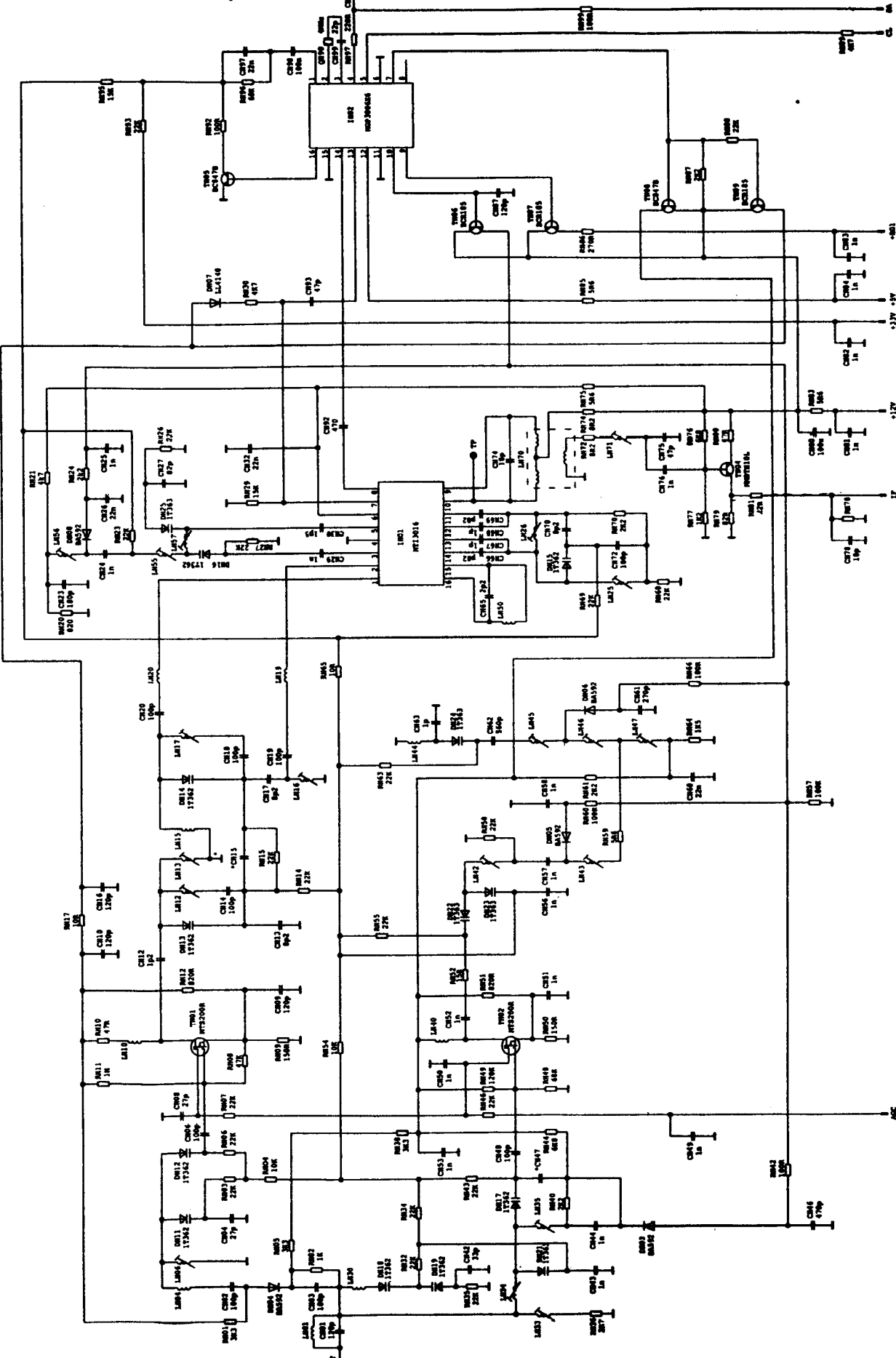


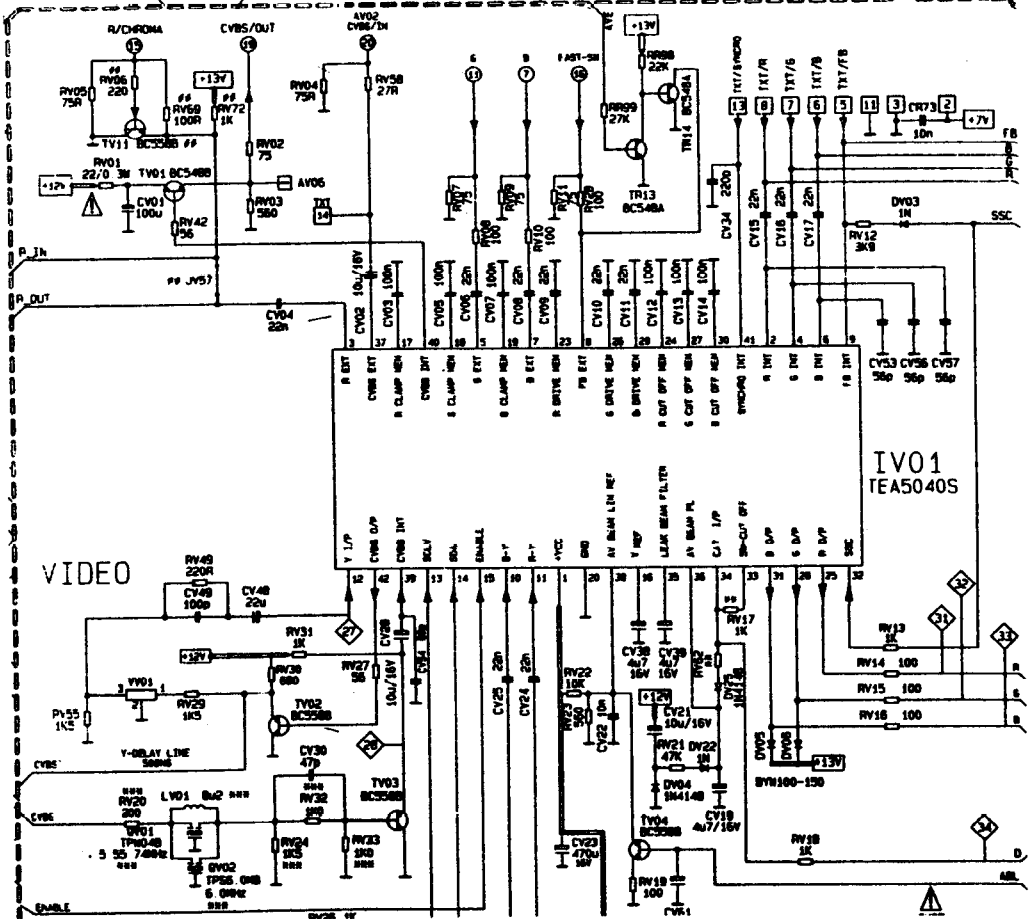
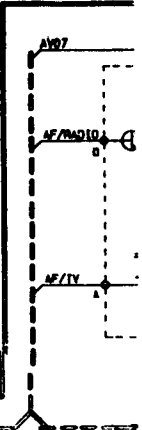
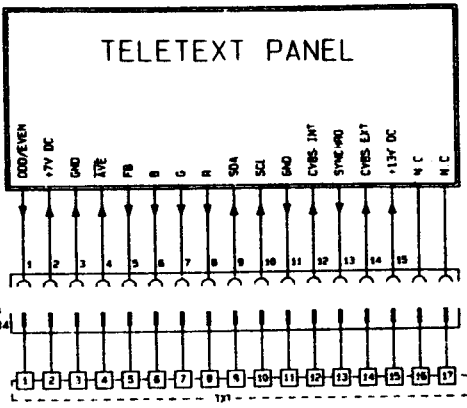
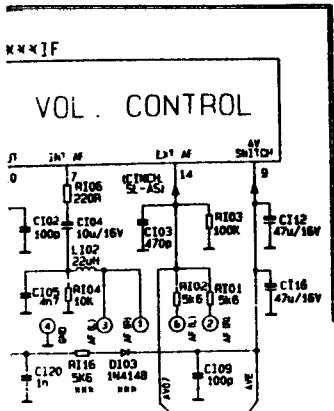
Структурная схема.



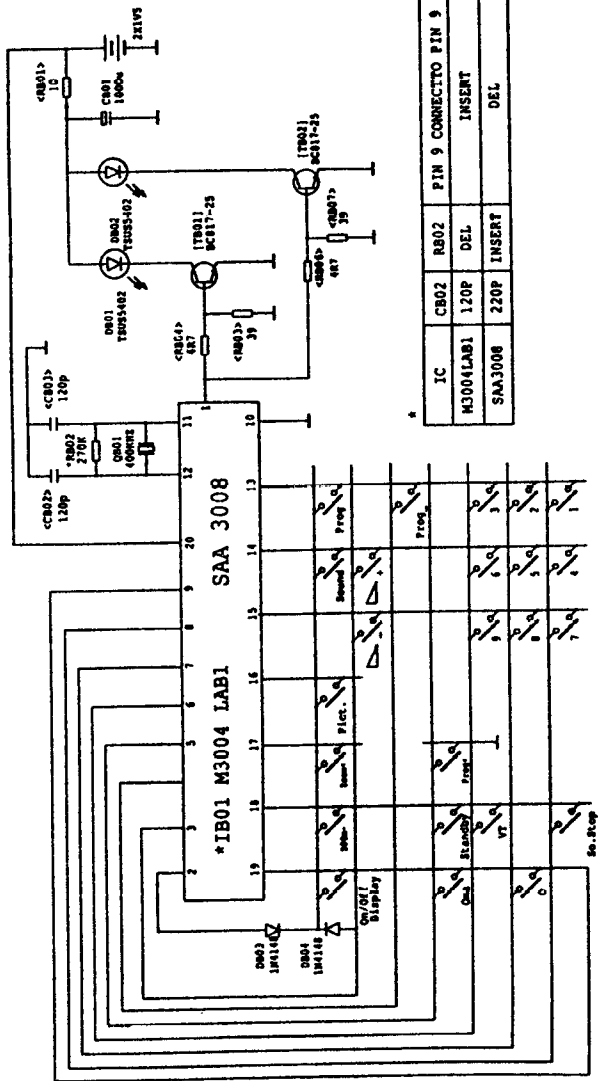


VHF-UHF Tuner (MTP-4015)





Remote Control



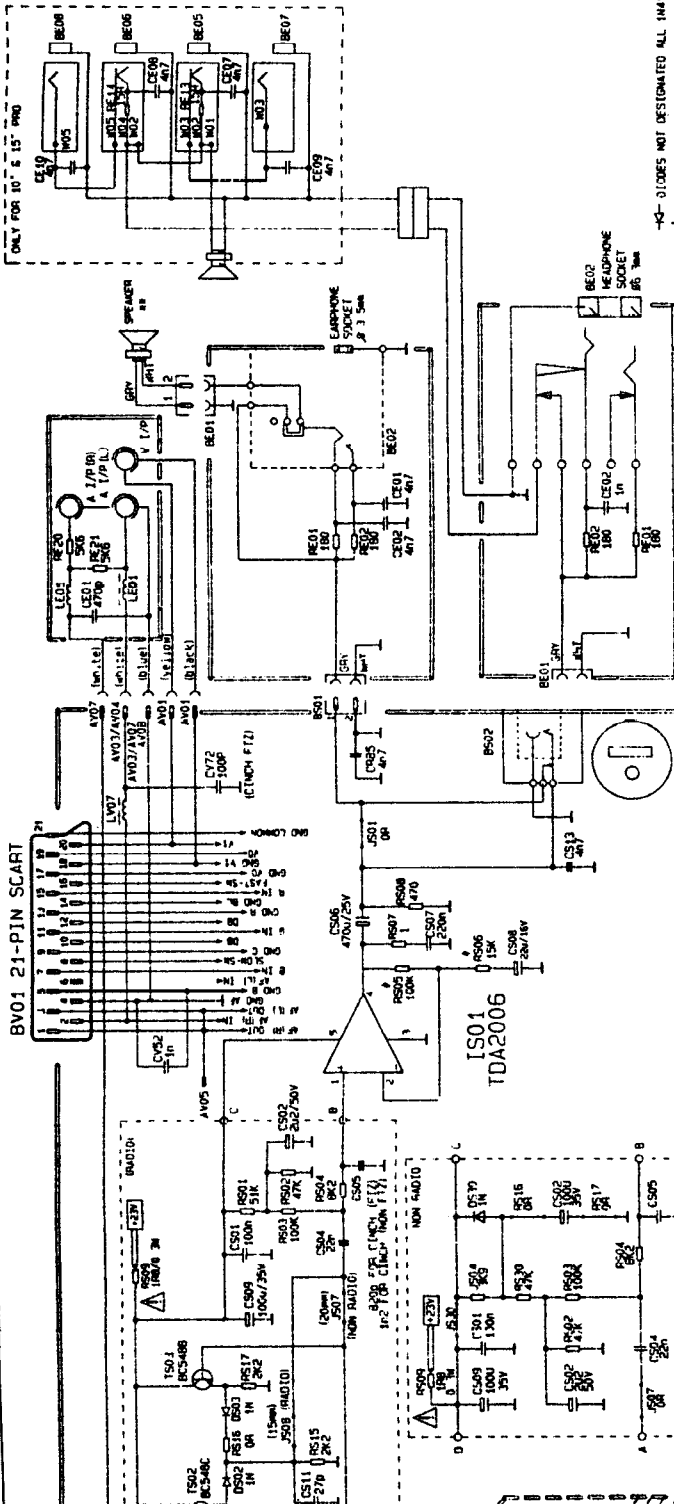
NOTES:

1: > Indicates a surface mounted (0805) - MINI CRIP - on the copper side of the printed circuit board.

2: | | Indicates a surface mounted transistor, on the copper side of the printed circuit board.

Anderungen vorbehalten!
 Con riserva di modifiche!
 Subject to modification without notice!
 Modifications reserves!

BV01 21-PIN SCART



ONLY FOR 10" x 15" PND

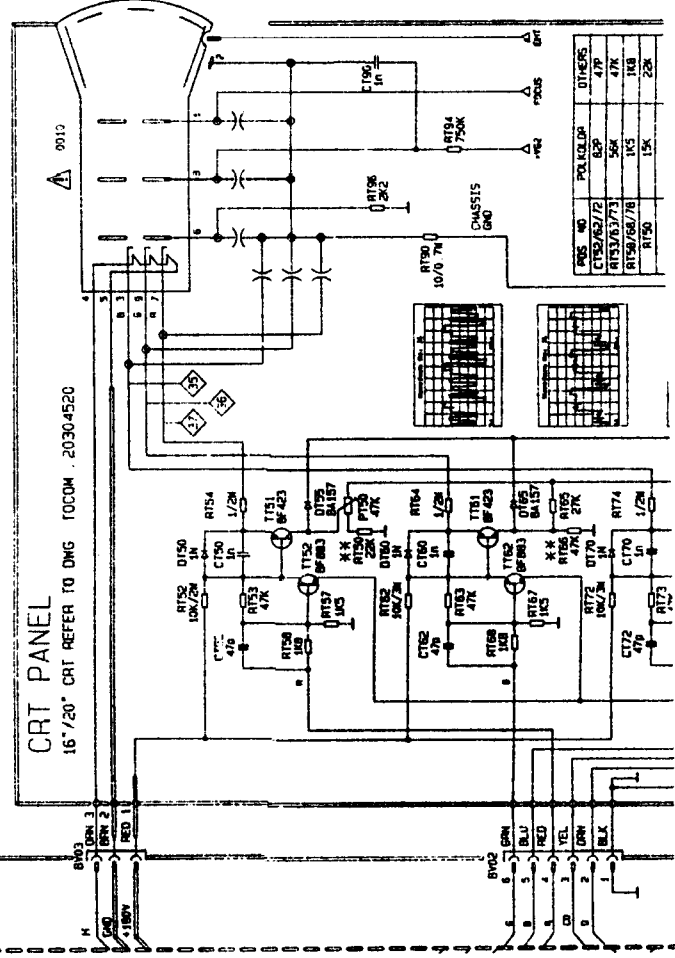
ONLY FOR 10" x 15" PND

TABLE 3

ITEM	DESCRIPTION	10"	14"	15"	15"	20"
CL22	HORI. RETRACE CAPACITANCE	2n/100V (1)	6n/1 SK	7n/1 SKV	6n/1 SKV	6n/21 SKV
CL28	HORI. LINEARITY CAPACITANCE	360n/250V	360n/250V	360n/250V	360n/250V	470n/250V
D124	VIDEO REF. ZENER	ZP05V6	ZP05V2	ZP05V2	ZP05V2	ZP05V2
RL03	HORI. LINEARITY COIL	112nH	90nH	112nH	90nH	50nH
RL08	DC BIAS OF VERT. O/P RES.	1.3K/0.1W	1.3K/0.1W	1.3K/0.1W	1.3K/0.1W	1.3K/0.1W
RL11	VERTICAL DAMPER RESISTOR	390/0.7W	390/0.7W	390/0.7W	390/0.7W	390/0.7W
RL27	HEATER RESISTOR	0.95/0.5W	1.5/0.5W	1.5/0.5W	1.5/0.5W	0.56/0.5W
RL23	VERT. AMP. TUNING RESISTOR	620 (PND)	750 (PND)	620	910	620
RL35	VERT. AMP. TUNING RESISTOR	91	91	56	100	75
RL37	DC BIAS OF VERT. O/P RESISTOR	242	242	242	242	242
RL71	VERT. TUNING RESISTOR	91K	62K	75K	75K	75K
RP01	1 SEMI-CONST. RESISTOR	R27/3M	R27/3M	R27/3M	R27/3M	R22/3M
RP17	CATHODE CURRENT RESISTOR	142 PND 247	142	140	820	750
RP23	AVERAGE T-BEAM RESISTOR	560	470	560	560	680
RP35	V. BEAM RESISTOR	18K	18K	18K	18K	15K
RP60	ABL DIVIDER RESISTOR	340 PND 242	340	340	340	340
RP62	ABL BEAM RESISTOR	0R	0R	0R	0R	1K
RT50	WHITE-BALANCE RESISTOR	22K	22K	22K	22K	3.3K
RT66	WHITE-BALANCE RESISTOR	68K	47K	47K	47K	62K
RT70	CRIT. PANEL WHITE-BALANCE	47K	47K	47K	47K	47K/0.25W

← D-CODES NOT DESIGNATED ALL 1M4148

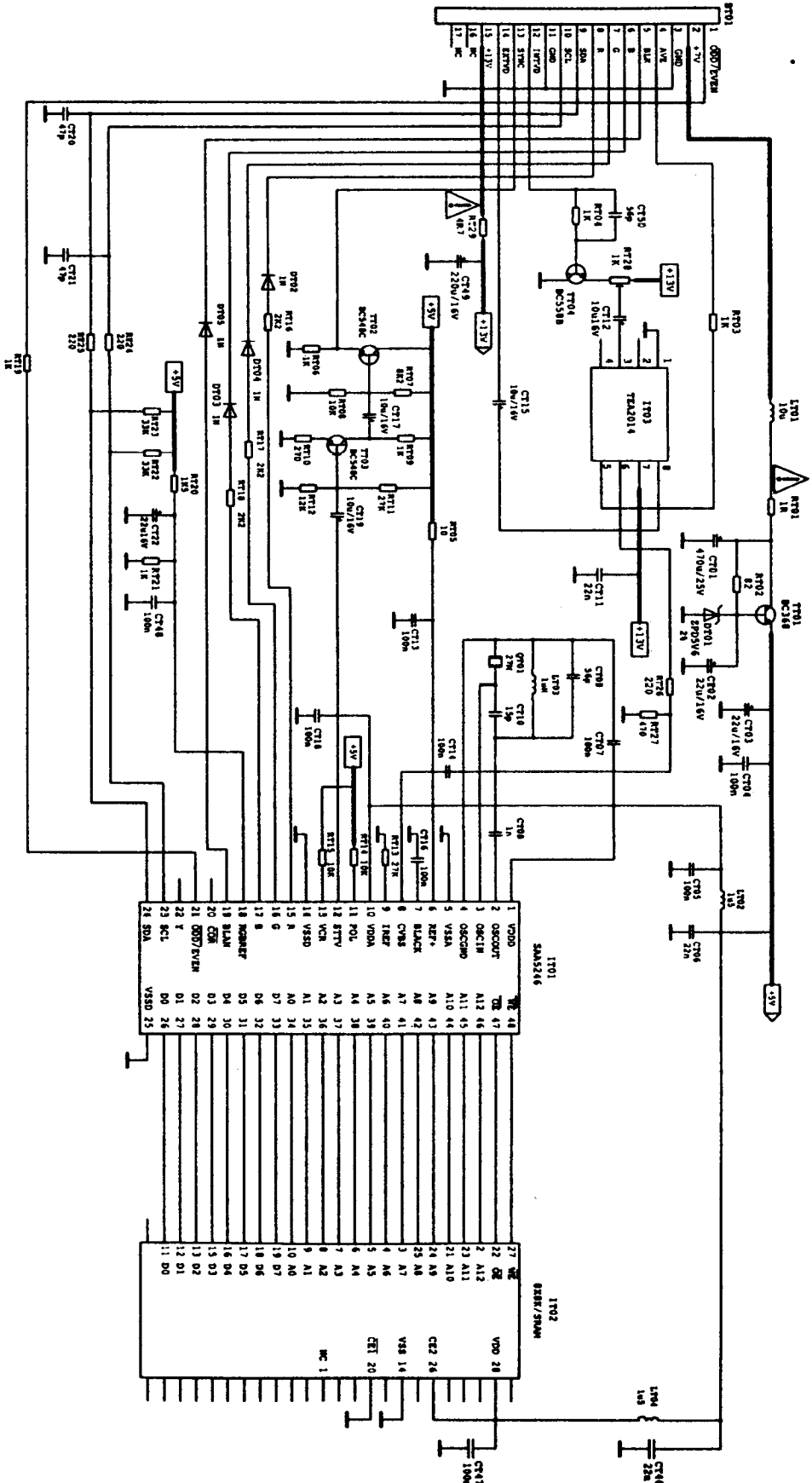
⚠ SAFETY



CRT PANEL

16'x20' CRT REFER TO DNG 100CM . 20304520

ITEM NO	DESCRIPTION	QTY
RT50	WHITE-BALANCE RESISTOR	15K
RT66	WHITE-BALANCE RESISTOR	1K
RT70	CRIT. PANEL WHITE-BALANCE	15K
RT50	WHITE-BALANCE RESISTOR	15K
RT66	WHITE-BALANCE RESISTOR	1K
RT70	CRIT. PANEL WHITE-BALANCE	15K



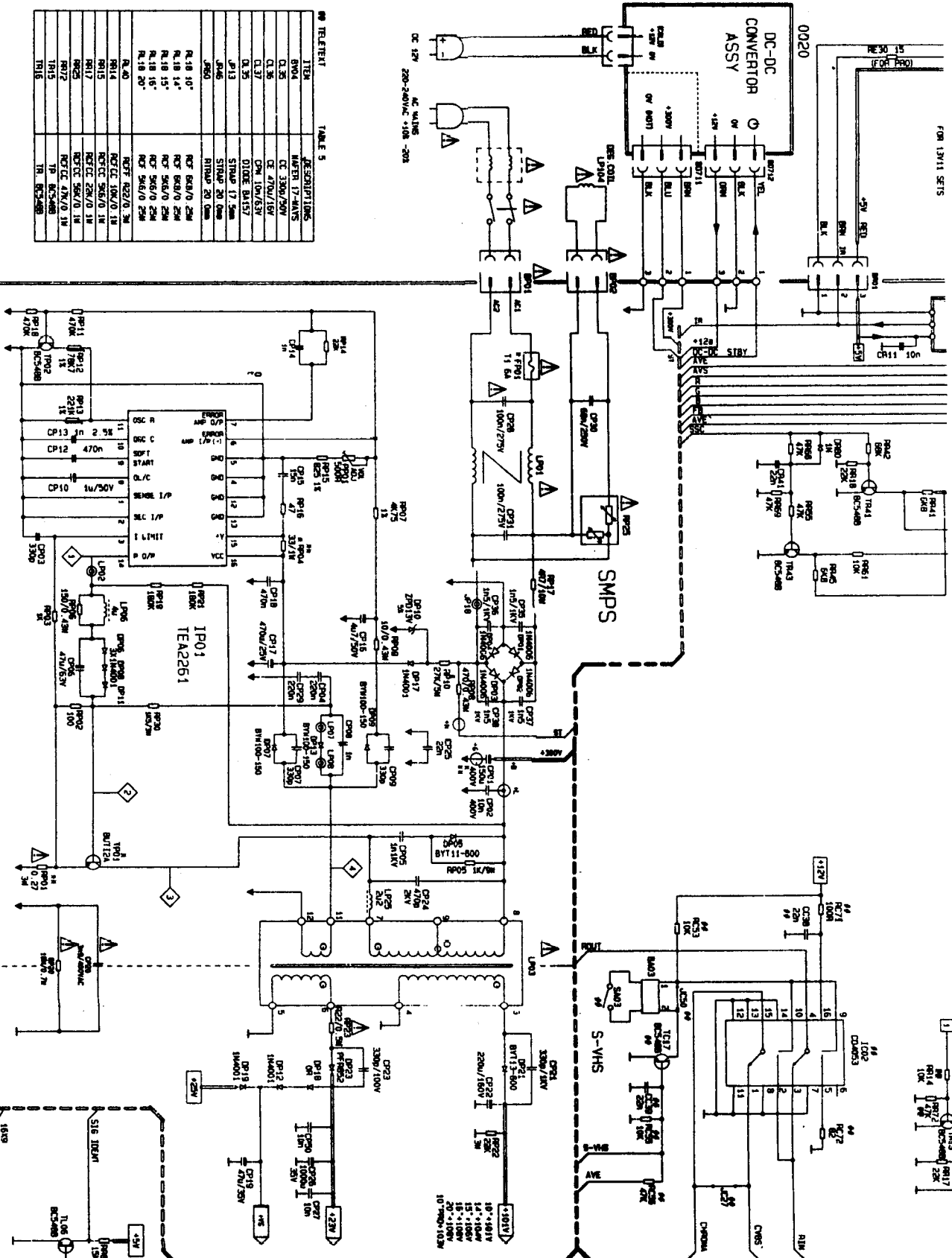
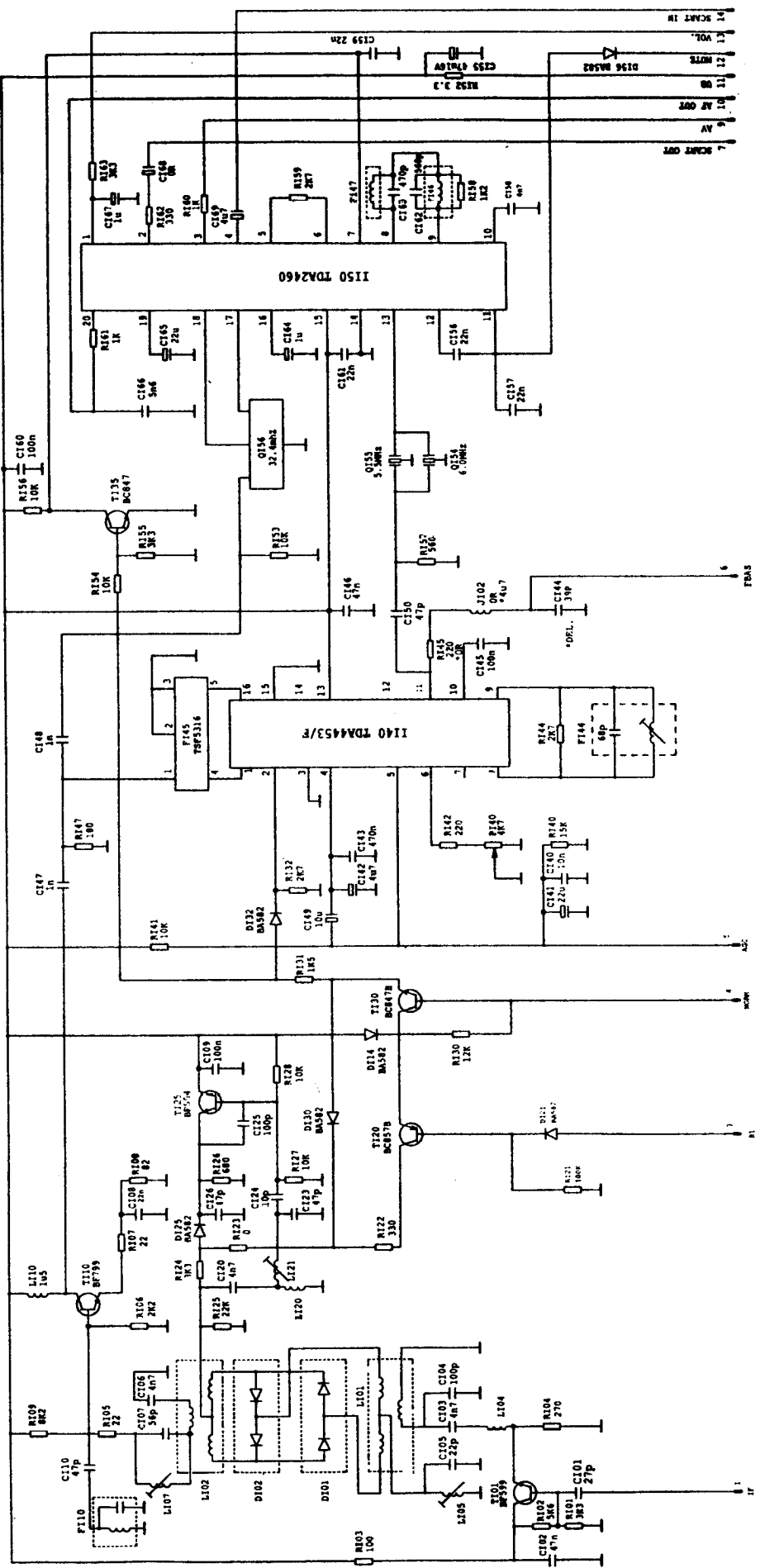


TABLE 5

ITEM	DESCRIPTIONS
00220	DC-DC CONVERTER ASSY
R1	RES 10K
R2	RES 10K
R3	RES 10K
R4	RES 10K
R5	RES 10K
R6	RES 10K
R7	RES 10K
R8	RES 10K
R9	RES 10K
R10	RES 10K
R11	RES 10K
R12	RES 10K
R13	RES 10K
R14	RES 10K
R15	RES 10K
R16	RES 10K
C1	CAP 100UF/25V
C2	CAP 100UF/25V
C3	CAP 100UF/25V
C4	CAP 100UF/25V
C5	CAP 100UF/25V
C6	CAP 100UF/25V
C7	CAP 100UF/25V
C8	CAP 100UF/25V
C9	CAP 100UF/25V
C10	CAP 100UF/25V
C11	CAP 100UF/25V
C12	CAP 100UF/25V
C13	CAP 100UF/25V
C14	CAP 100UF/25V
C15	CAP 100UF/25V
C16	CAP 100UF/25V
C17	CAP 100UF/25V
C18	CAP 100UF/25V
C19	CAP 100UF/25V
C20	CAP 100UF/25V
C21	CAP 100UF/25V
C22	CAP 100UF/25V
C23	CAP 100UF/25V
C24	CAP 100UF/25V
C25	CAP 100UF/25V
C26	CAP 100UF/25V
C27	CAP 100UF/25V
C28	CAP 100UF/25V
D1	DIODE 1N4001
D2	DIODE 1N4001
D3	DIODE 1N4001
D4	DIODE 1N4001
D5	DIODE 1N4001
D6	DIODE 1N4001
D7	DIODE 1N4001
D8	DIODE 1N4001
D9	DIODE 1N4001
D10	DIODE 1N4001
D11	DIODE 1N4001
D12	DIODE 1N4001
D13	DIODE 1N4001
D14	DIODE 1N4001
D15	DIODE 1N4001
D16	DIODE 1N4001
D17	DIODE 1N4001
D18	DIODE 1N4001
D19	DIODE 1N4001
D20	DIODE 1N4001
D21	DIODE 1N4001
D22	DIODE 1N4001
D23	DIODE 1N4001
D24	DIODE 1N4001
D25	DIODE 1N4001
D26	DIODE 1N4001
D27	DIODE 1N4001
D28	DIODE 1N4001
D29	DIODE 1N4001
D30	DIODE 1N4001
D31	DIODE 1N4001
D32	DIODE 1N4001
D33	DIODE 1N4001
D34	DIODE 1N4001
D35	DIODE 1N4001
D36	DIODE 1N4001
D37	DIODE 1N4001
D38	DIODE 1N4001
D39	DIODE 1N4001
D40	DIODE 1N4001
D41	DIODE 1N4001
D42	DIODE 1N4001
D43	DIODE 1N4001
D44	DIODE 1N4001
D45	DIODE 1N4001
D46	DIODE 1N4001
D47	DIODE 1N4001
D48	DIODE 1N4001
D49	DIODE 1N4001
D50	DIODE 1N4001
D51	DIODE 1N4001
D52	DIODE 1N4001
D53	DIODE 1N4001
D54	DIODE 1N4001
D55	DIODE 1N4001
D56	DIODE 1N4001
D57	DIODE 1N4001
D58	DIODE 1N4001
D59	DIODE 1N4001
D60	DIODE 1N4001
D61	DIODE 1N4001
D62	DIODE 1N4001
D63	DIODE 1N4001
D64	DIODE 1N4001
D65	DIODE 1N4001
D66	DIODE 1N4001
D67	DIODE 1N4001
D68	DIODE 1N4001
D69	DIODE 1N4001
D70	DIODE 1N4001
D71	DIODE 1N4001
D72	DIODE 1N4001
D73	DIODE 1N4001
D74	DIODE 1N4001
D75	DIODE 1N4001
D76	DIODE 1N4001
D77	DIODE 1N4001
D78	DIODE 1N4001
D79	DIODE 1N4001
D80	DIODE 1N4001
D81	DIODE 1N4001
D82	DIODE 1N4001
D83	DIODE 1N4001
D84	DIODE 1N4001
D85	DIODE 1N4001
D86	DIODE 1N4001
D87	DIODE 1N4001
D88	DIODE 1N4001
D89	DIODE 1N4001
D90	DIODE 1N4001
D91	DIODE 1N4001
D92	DIODE 1N4001
D93	DIODE 1N4001
D94	DIODE 1N4001
D95	DIODE 1N4001
D96	DIODE 1N4001
D97	DIODE 1N4001
D98	DIODE 1N4001
D99	DIODE 1N4001
D100	DIODE 1N4001



- 1 SCART IN
- 2 VOL.
- 3 MUTE
- 4 AZ OUT
- 5 AV
- 6 SCART OUT
- 7
- 8
- 9
- 10
- 11
- 12
- 13
- 14

FBA3

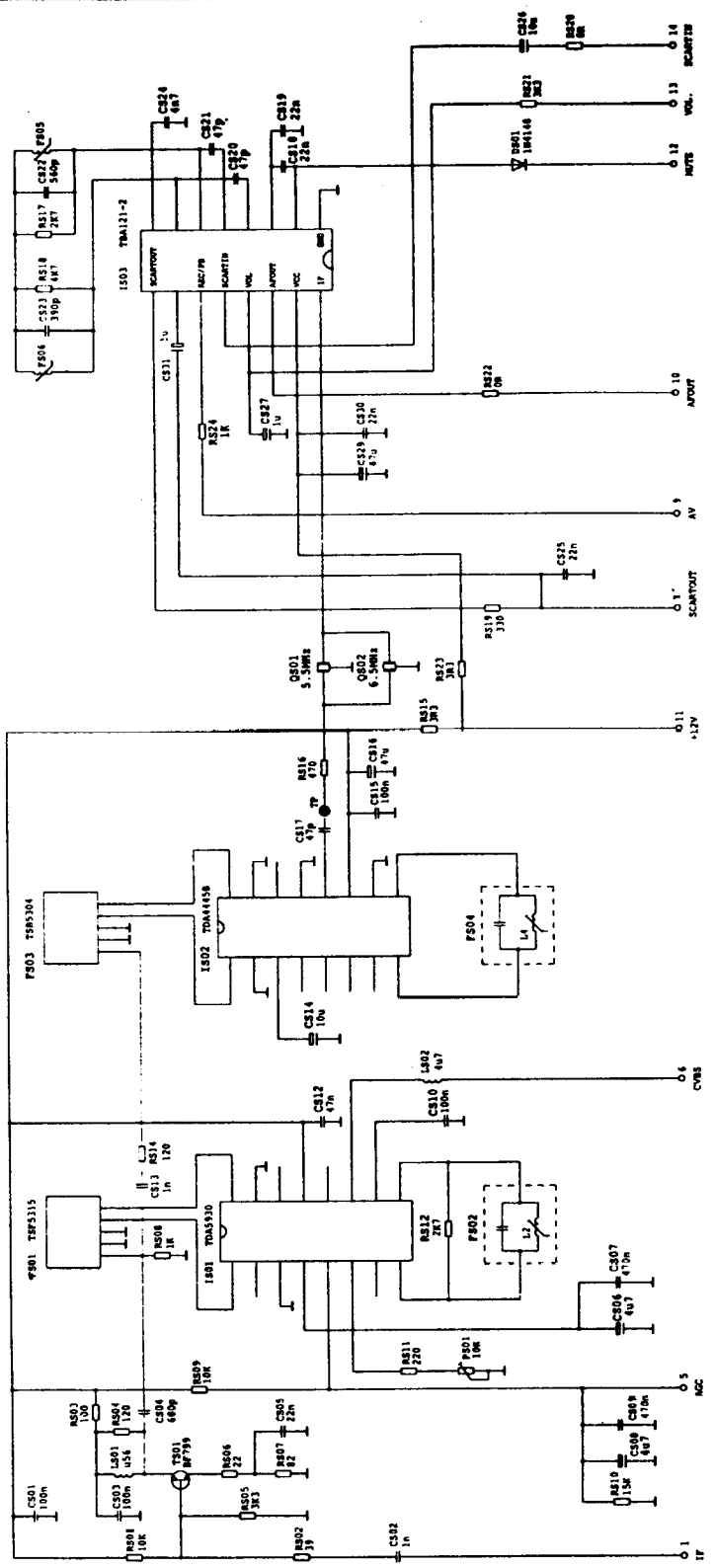
LS2

MC87

11

17

ZF-Modul (1F-2248)



0.1 TF
 0.2 12V
 0.3 AV
 0.4 SCARFOUT
 0.5 12V
 0.6 CVBS
 0.7 AV
 0.8 SCARFOUT
 0.9 AV
 0.10 AVOUT
 0.11 INTS
 0.12 VOL.
 0.13 VOL.
 0.14 SCARFOUT

