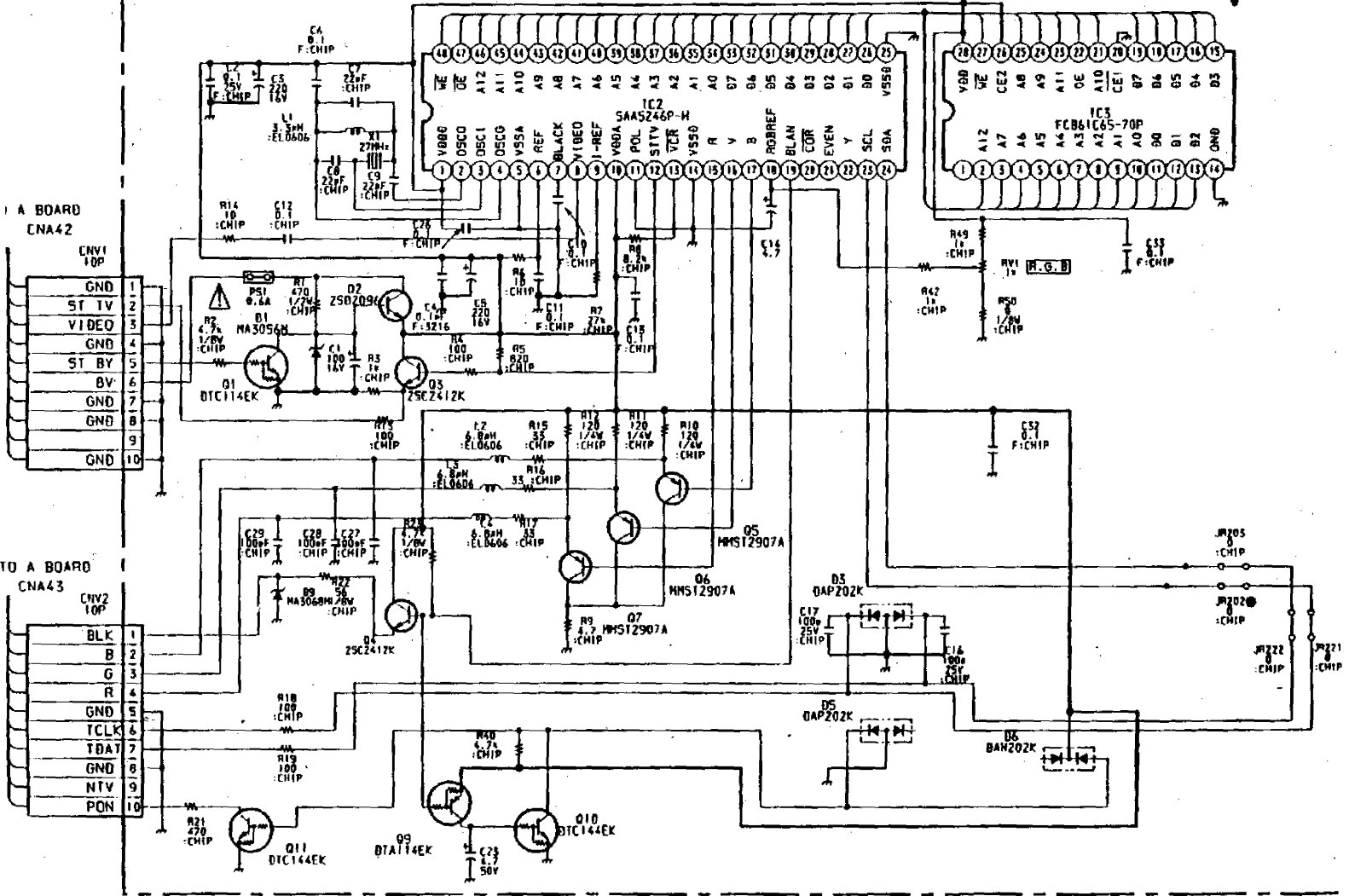
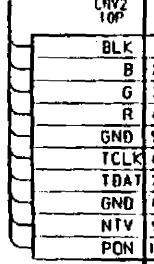
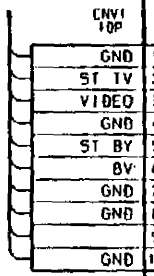
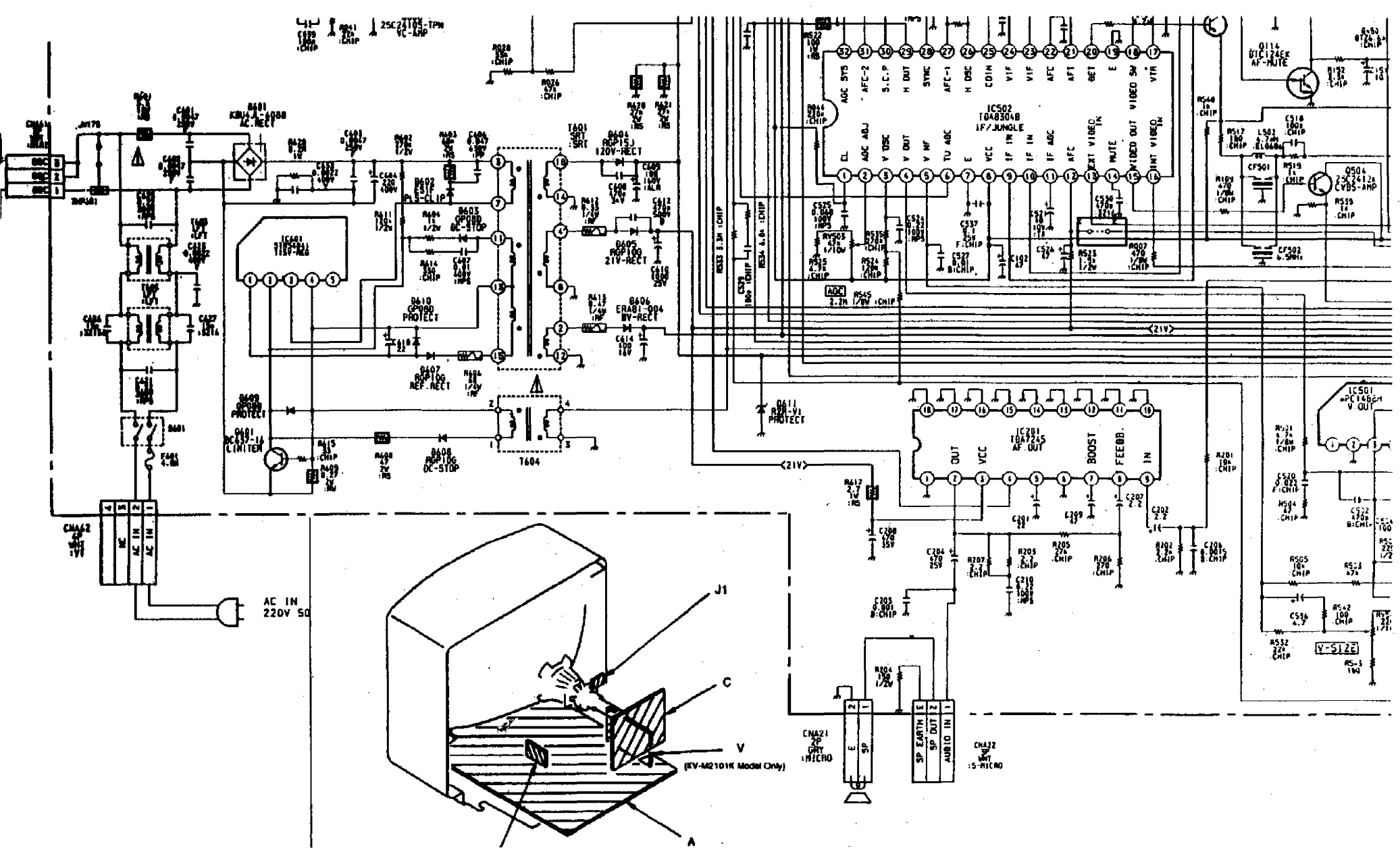


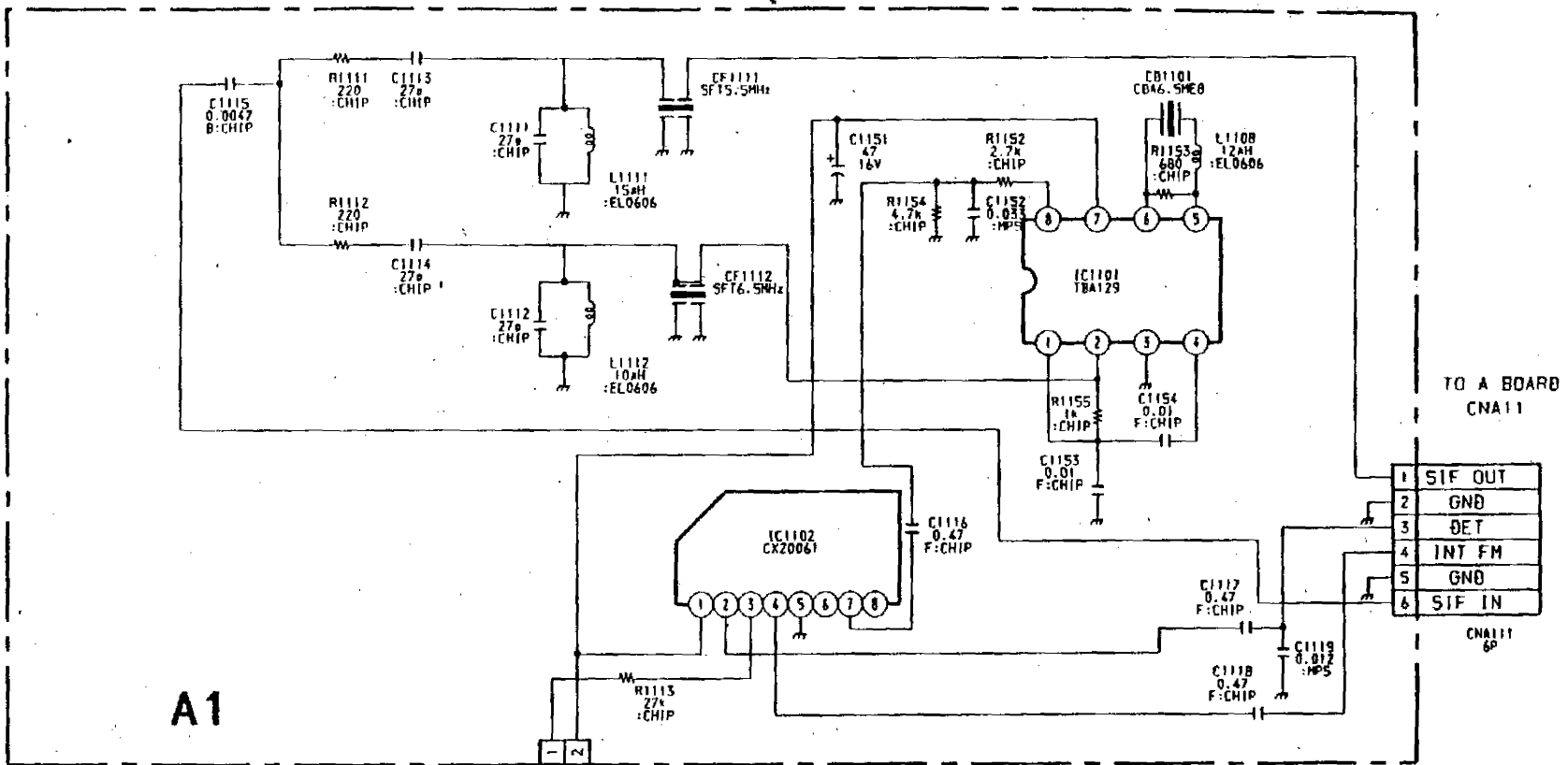
0020  
1551531

A BOARD  
CNA42

TO A BOARD  
CNA43

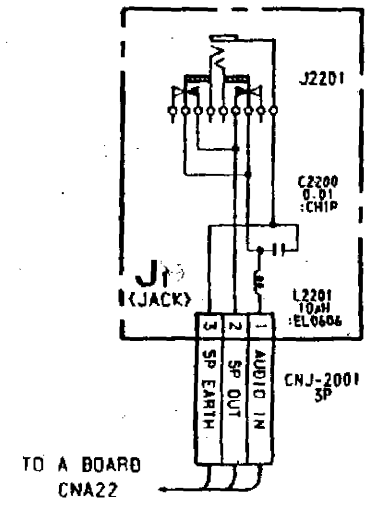


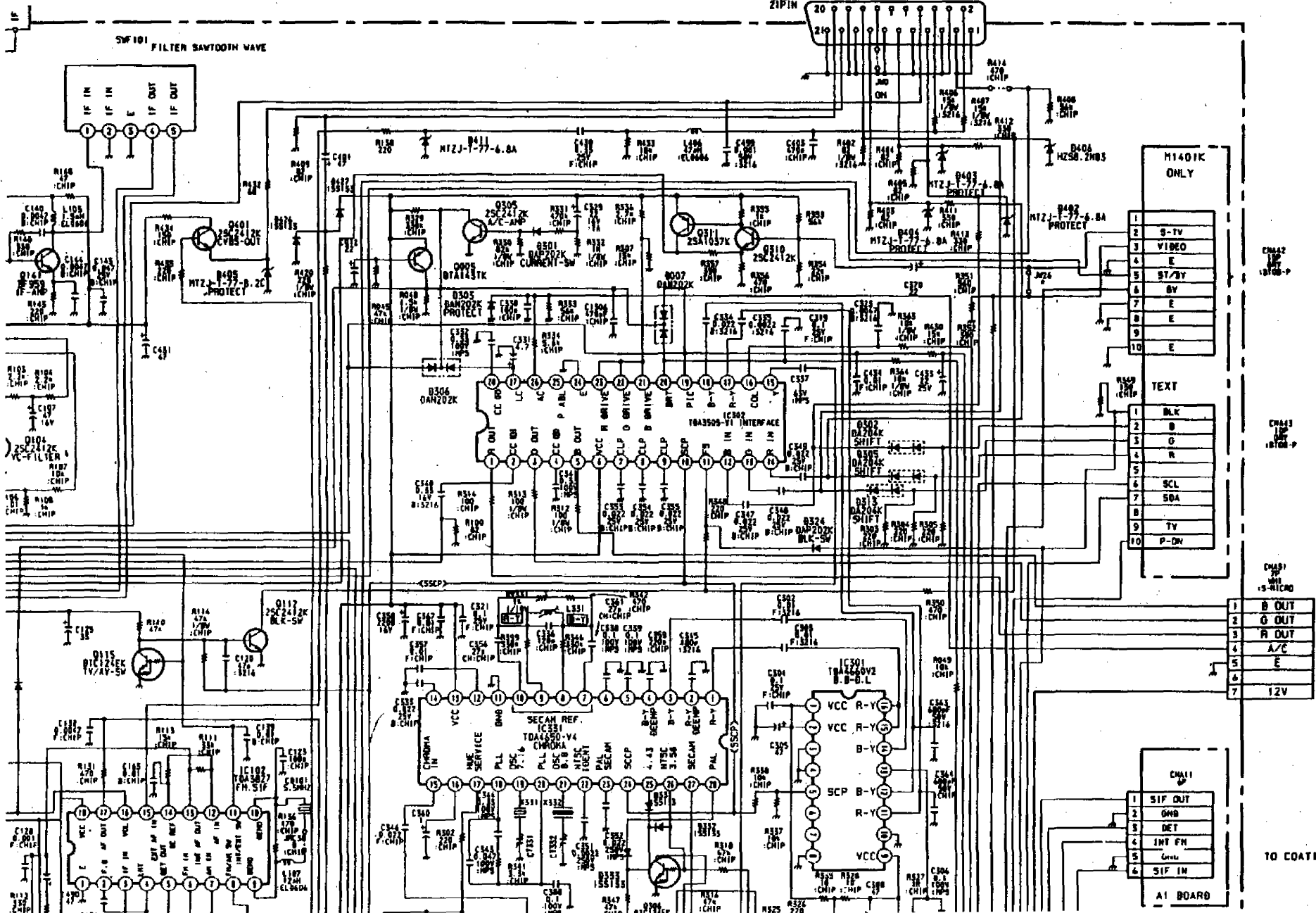




**A Board**

	M1400K	M1401K
* JW26	Not Fitted	Fitted





M1401K ONLY

- 1
- 2 S-TV
- 3 VIDEO
- 4 E
- 5 ST/STV
- 6 BV
- 7 E
- 8 E
- 9
- 10 E

- TEXT
- 1 BLK
  - 2 B
  - 3 G
  - 4 R
  - 5 SCL
  - 6 SDA
  - 7 TV
  - 8
  - 9
  - 10 P-ON

- 1 B OUT
- 2 G OUT
- 3 R OUT
- 4 A/E
- 5 E
- 6
- 7 12V

- M1411
- 1 SIF OUT
  - 2 OND
  - 3 DET
  - 4 INT FH
  - 5
  - 6 SIF IN
- A1 BOARD

CM42  
USE  
S-VIDEO

CM43  
USE  
S-VIDEO

CM45  
USE  
S-VIDEO

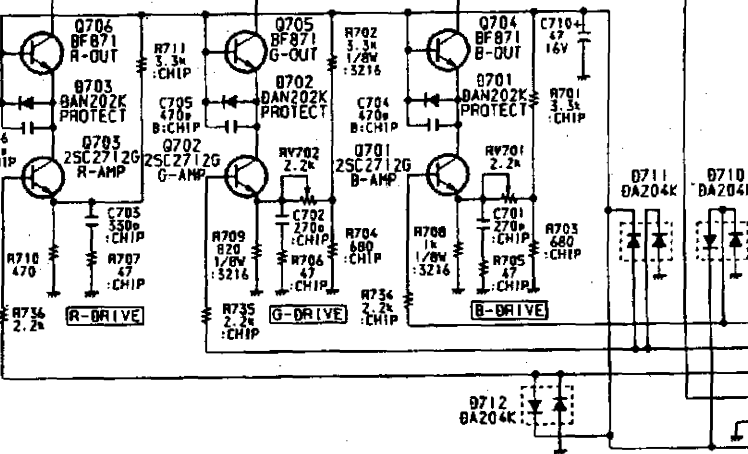
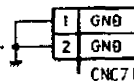
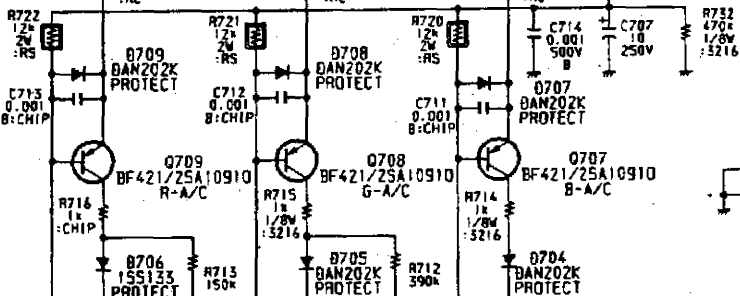
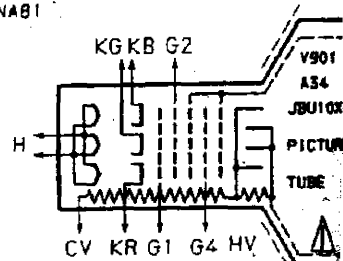
TO COATING

**C** (R.G.B OUT)

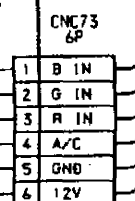
FOCUS SCREEN

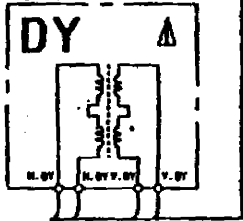
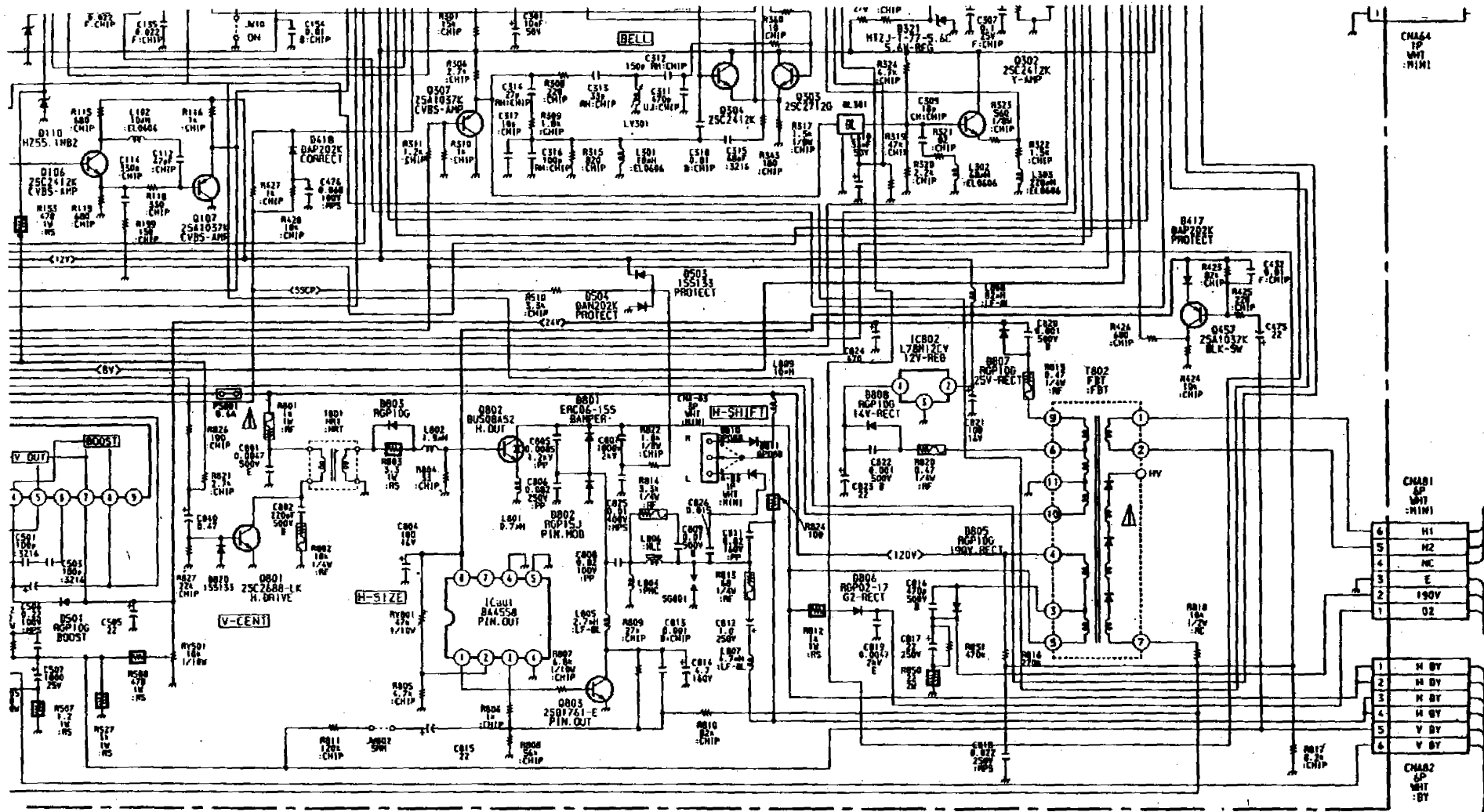
TO A BOARD  
CNA81

TO BOARD A  
CNA81



TO A BOARD  
CNA31

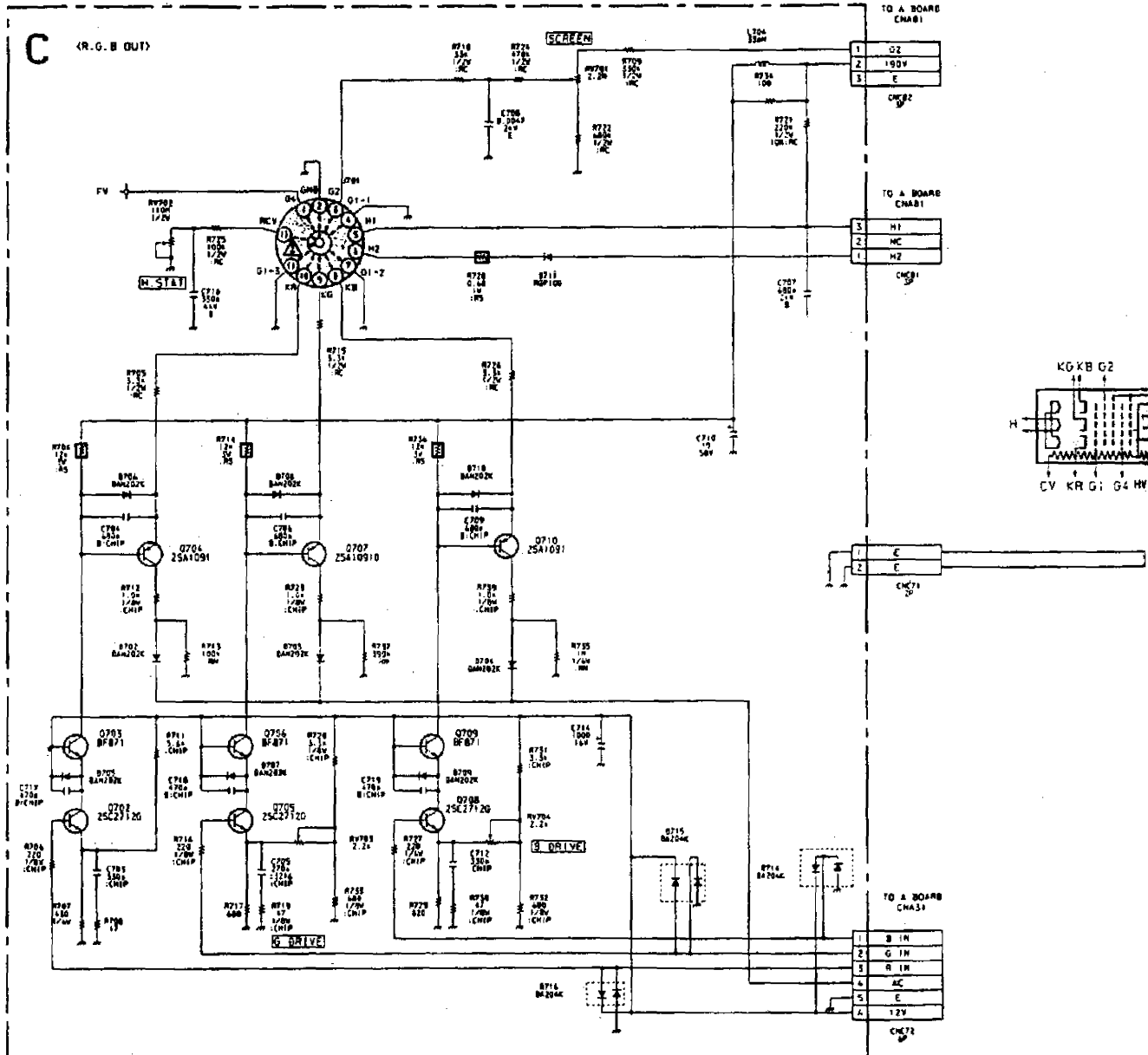






C

(R.G.B OUT)



TO A BOARD CHA81

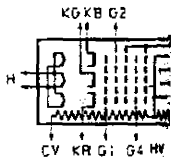
1	G2
2	100V
3	E

CH62

TO A BOARD CHA81

3	H1
4	HC
1	H2

CH61



1	C
2	E

CH71

TO A BOARD CHA31

1	B IN
2	G IN
3	R IN
4	AC
5	E
4	12V

CH72