

IX15598M ST6210BM

IC1010

IC1011
IX1603BM
X24645SB

IC1007 HEF 4094 IX1475

IC1002
24C16
IX1588BM

IC1001
IX1598BM
SAB-C502

IC1005
74LS573
IX1485BM

IC803
TDA4565
IX1557BM

IC402
IX1599BM
HYB514256BJ-60

IC401
SDA5273C2
IX1584BM
MGTXT

AC 220V-240V 50Hz
DACCZ2100BMSA

M1000
CUG201BM
5V DcT

LP1001
P001BM

R735
120k
1/2W

R736
120k
1/2W

R1107
18k

F20070BM
0.0n/250V

D1103
CSV1
EX0545

R1114
100k

R742
56k
1/2W

R740
330k
1/2W

R743
330k
1/2W

R744
330k
1/2W

R745
330k
1/2W

R746
330k
1/2W

R747
330k
1/2W

R748
330k
1/2W

R749
330k
1/2W

R750
330k
1/2W

R751
330k
1/2W

R752
330k
1/2W

R753
330k
1/2W

R754
330k
1/2W

R755
330k
1/2W

R756
330k
1/2W

R757
330k
1/2W

R758
330k
1/2W

R759
330k
1/2W

R760
330k
1/2W

R761
330k
1/2W

R762
330k
1/2W

R763
330k
1/2W

R764
330k
1/2W

R765
330k
1/2W

R766
330k
1/2W

R767
330k
1/2W

R768
330k
1/2W

R769
330k
1/2W

R770
330k
1/2W

R771
330k
1/2W

R772
330k
1/2W

R773
330k
1/2W

R774
330k
1/2W

R775
330k
1/2W

R776
330k
1/2W

R777
330k
1/2W

R778
330k
1/2W

R779
330k
1/2W

R780
330k
1/2W

R781
330k
1/2W

R782
330k
1/2W

R783
330k
1/2W

R784
330k
1/2W

R785
330k
1/2W

R786
330k
1/2W

R787
330k
1/2W

R788
330k
1/2W

R789
330k
1/2W

R790
330k
1/2W

R791
330k
1/2W

R792
330k
1/2W

R793
330k
1/2W

R794
330k
1/2W

R795
330k
1/2W

R796
330k
1/2W

R797
330k
1/2W

R798
330k
1/2W

R799
330k
1/2W

R800
330k
1/2W

R801
330k
1/2W

R802
330k
1/2W

R803
330k
1/2W

R804
330k
1/2W

R805
330k
1/2W

R806
330k
1/2W

R807
330k
1/2W

R808
330k
1/2W

R809
330k
1/2W

R810
330k
1/2W

R811
330k
1/2W

R812
330k
1/2W

R813
330k
1/2W

R814
330k
1/2W

R815
330k
1/2W

R816
330k
1/2W

R817
330k
1/2W

R818
330k
1/2W

R819
330k
1/2W

R820
330k
1/2W

R821
330k
1/2W

R822
330k
1/2W

R823
330k
1/2W

R824
330k
1/2W

R825
330k
1/2W

R826
330k
1/2W

R827
330k
1/2W

R828
330k
1/2W

R829
330k
1/2W

R830
330k
1/2W

R831
330k
1/2W

R832
330k
1/2W

R833
330k
1/2W

R834
330k
1/2W

R835
330k
1/2W

R836
330k
1/2W

R837
330k
1/2W

R838
330k
1/2W

R839
330k
1/2W

R840
330k
1/2W

R841
330k
1/2W

R842
330k
1/2W

R843
330k
1/2W

R844
330k
1/2W

R845
330k
1/2W

R846
330k
1/2W

R847
330k
1/2W

R848
330k
1/2W

R849
330k
1/2W

R850
330k
1/2W

R851
330k
1/2W

R852
330k
1/2W

R853
330k
1/2W

R854
330k
1/2W

R855
330k
1/2W

R856
330k
1/2W

R857
330k
1/2W

R858
330k
1/2W

R859
330k
1/2W

R860
330k
1/2W

R861
330k
1/2W

R862
330k
1/2W

R863
330k
1/2W

R864
330k
1/2W

R865
330k
1/2W

R866
330k
1/2W

R867
330k
1/2W

R868
330k
1/2W

R869
330k
1/2W

R870
330k
1/2W

R871
330k
1/2W

R872
330k
1/2W

R873
330k
1/2W

R874
330k
1/2W

R875
330k
1/2W

R876
330k
1/2W

R877
330k
1/2W

R878
330k
1/2W

R879
330k
1/2W

R880
330k
1/2W

R881
330k
1/2W

R882
330k
1/2W

R883
330k
1/2W

R884
330k
1/2W

R885
330k
1/2W

R886
330k
1/2W

R887
330k
1/2W

R888
330k
1/2W

R889
330k
1/2W

R890
330k
1/2W

R891
330k
1/2W

R892
330k
1/2W

R893
330k
1/2W

R894
330k
1/2W

R895
330k
1/2W

R896
330k
1/2W

R897
330k
1/2W

R898
330k
1/2W

R899
330k
1/2W

R900
330k
1/2W

R901
330k
1/2W

R902
330k
1/2W

R903
330k
1/2W

R904
330k
1/2W

R905
330k
1/2W

R906
330k
1/2W

R907
330k
1/2W

R908
330k
1/2W

R909
330k
1/2W

R910
330k
1/2W

R911
330k
1/2W

R912
330k
1/2W

R913
330k
1/2W

R914
330k
1/2W

R915
330k
1/2W

R916
330k
1/2W

R917
330k
1/2W

R918
330k
1/2W

R919
330k
1/2W

R920
330k
1/2W

R921
330k
1/2W

R922
330k
1/2W

R923
330k
1/2W

R924
330k
1/2W

R925
330k
1/2W

R926
330k
1/2W

R927
330k
1/2W

R928
330k
1/2W

R929
330k
1/2W

R930
330k
1/2W

R931
330k
1/2W

R932
330k
1/2W

R933
330k
1/2W

R934
330k
1/2W

R935
330k
1/2W

R936
330k
1/2W

R937
330k
1/2W

R938
330k
1/2W

R939
330k
1/2W

R940
330k
1/2W

R941
330k
1/2W

R942
330k
1/2W

R943
330k
1/2W

R944
330k
1/2W

R945
330k
1/2W

R946
330k
1/2W

R947
330k
1/2W

R948
330k
1/2W

R949
330k
1/2W

R950
330k
1/2W

R951
330k
1/2W

R952
330k
1/2W

R953
330k
1/2W

R954
330k
1/2W

R955
330k
1/2W

R956
330k
1/2W

R957
330k
1/2W

R958
330k
1/2W

R959
330k
1/2W

R960
330k
1/2W

R961
330k
1/2W

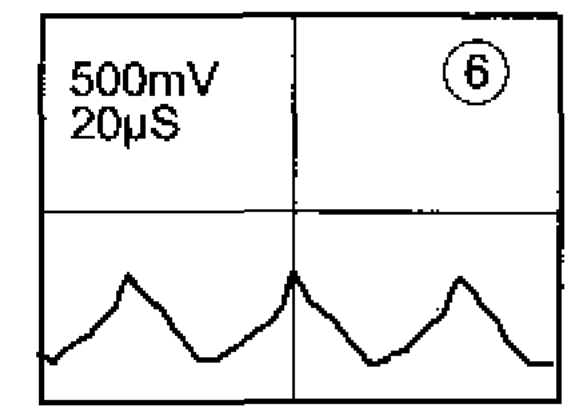
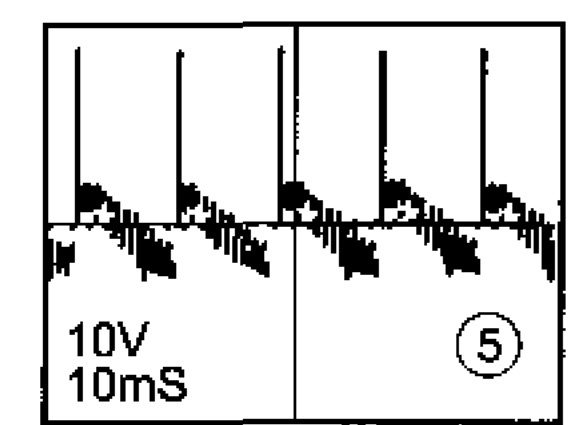
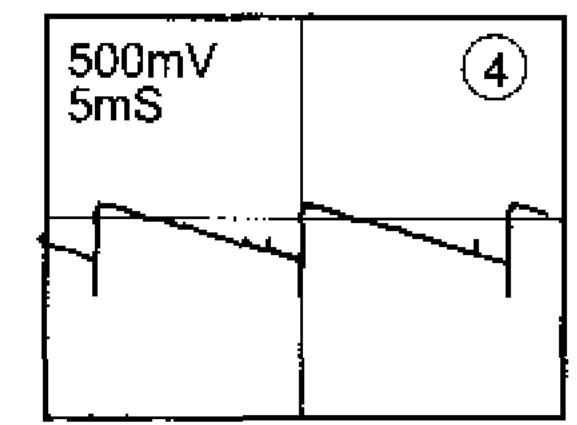
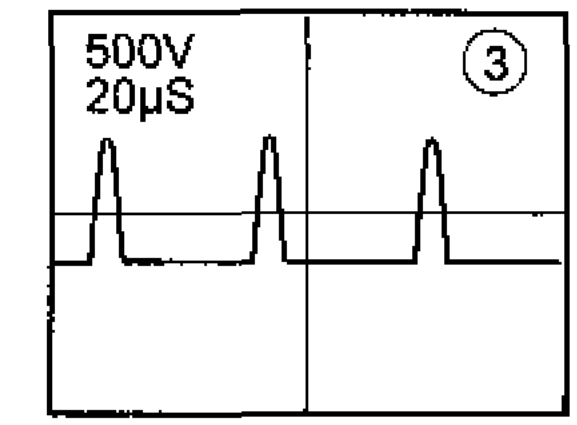
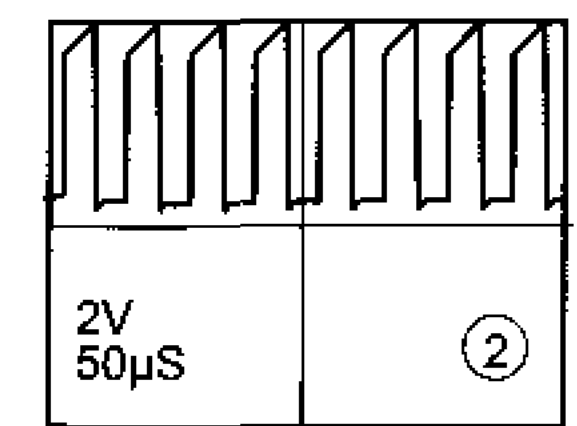
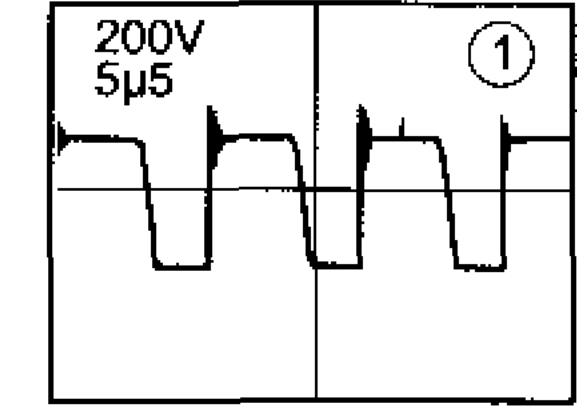
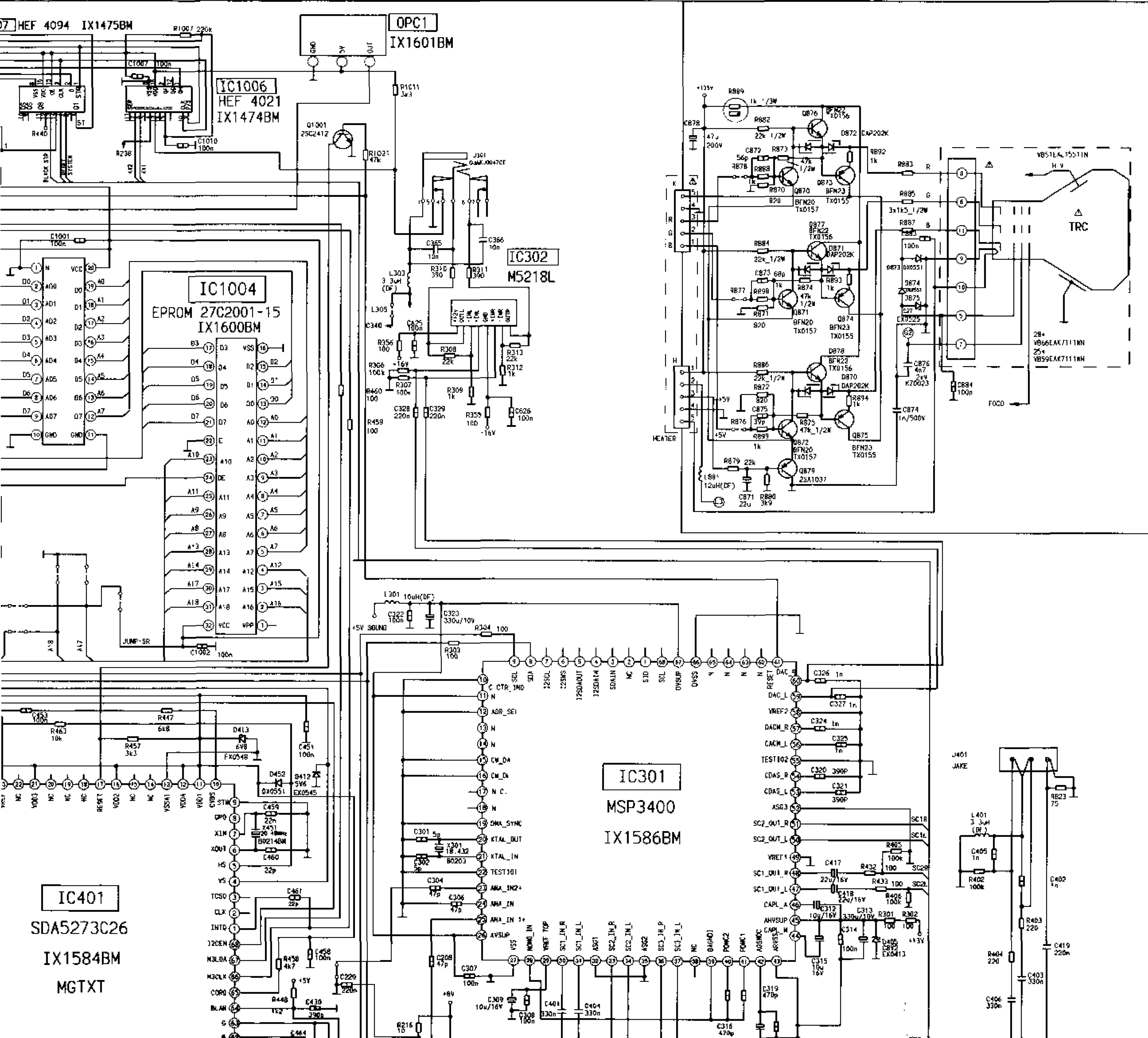
R962
330k
1/2W

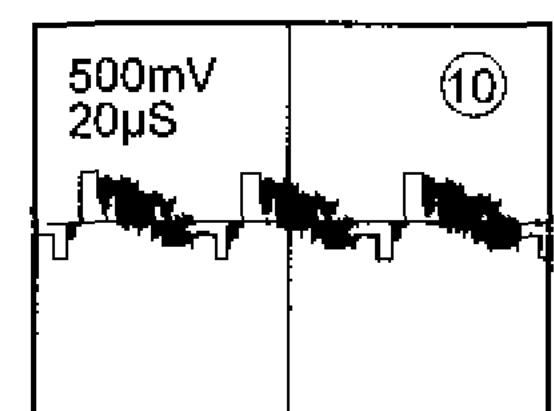
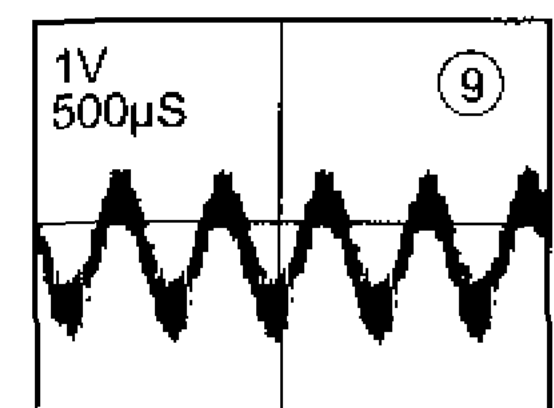
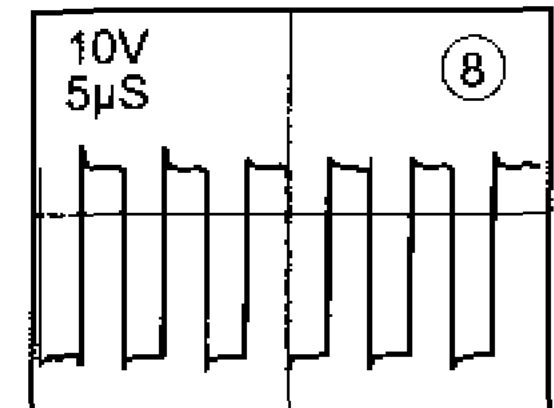
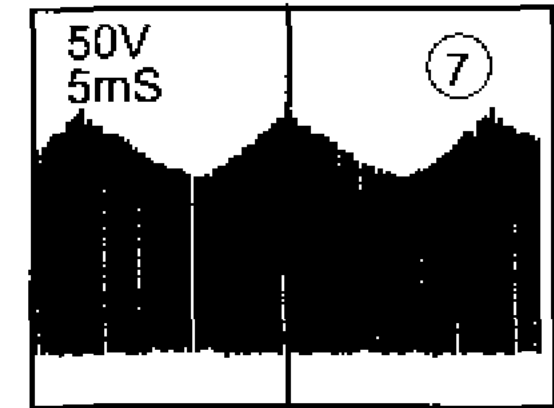
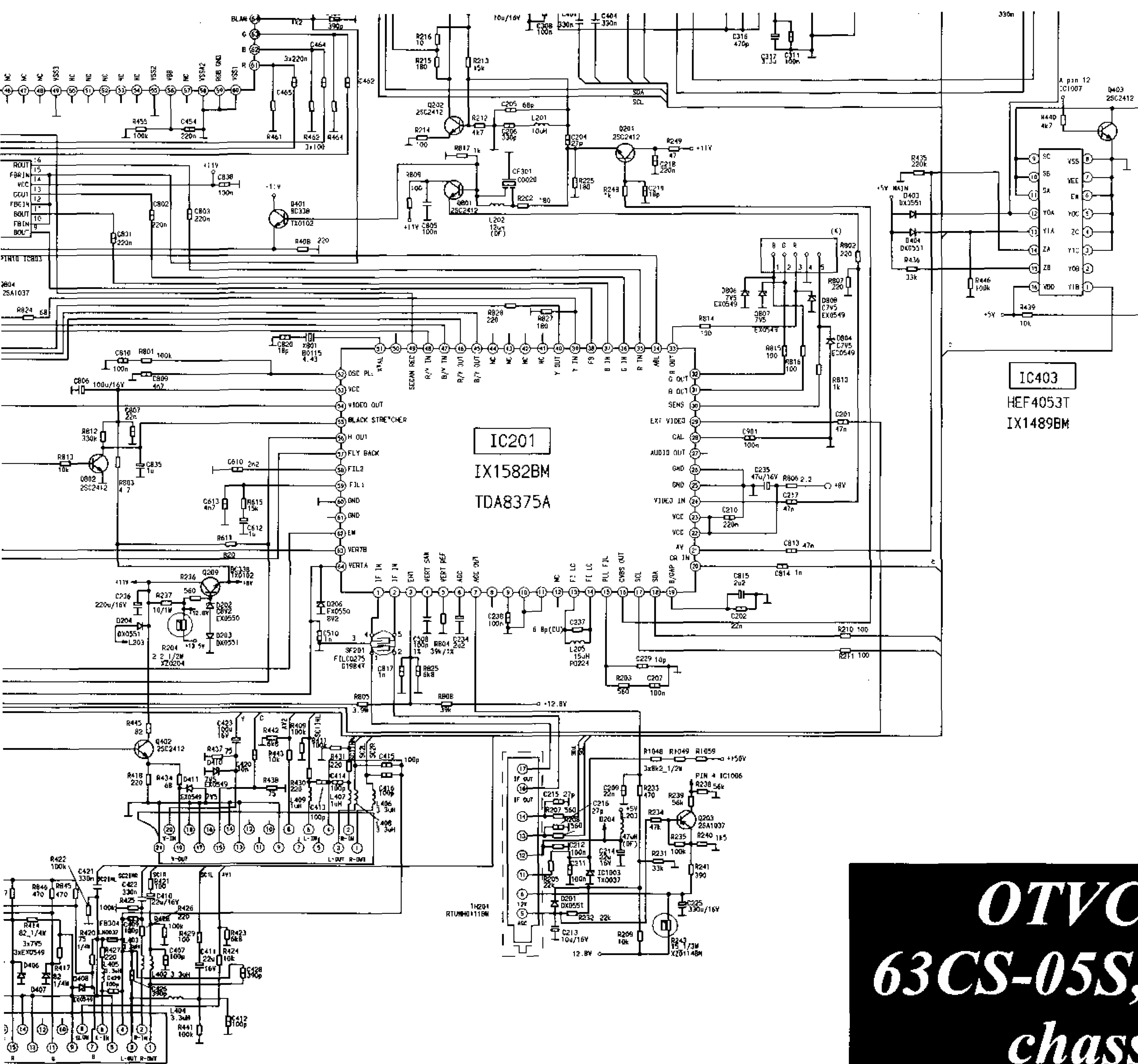
R963
330k
1/2W

R964
330k
1/2W

R965
330k
1/2W

R966
330k
1/2W





IC403
HEF4053T
IX1489BM

IC201
IX1582BM
TDA8375A

OTVC Sharp
63CS-05S, 70CS-05S
chassis CS

