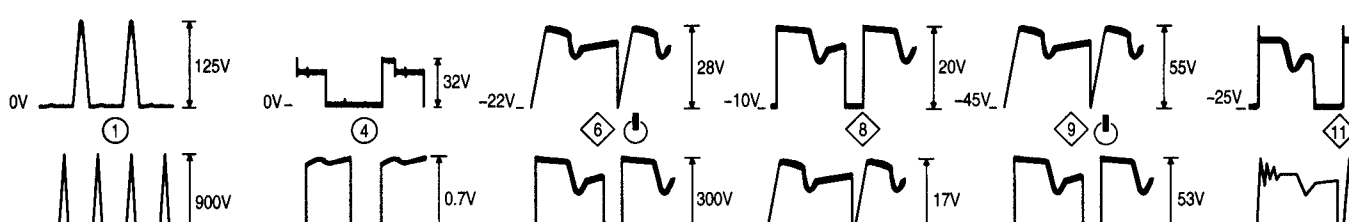
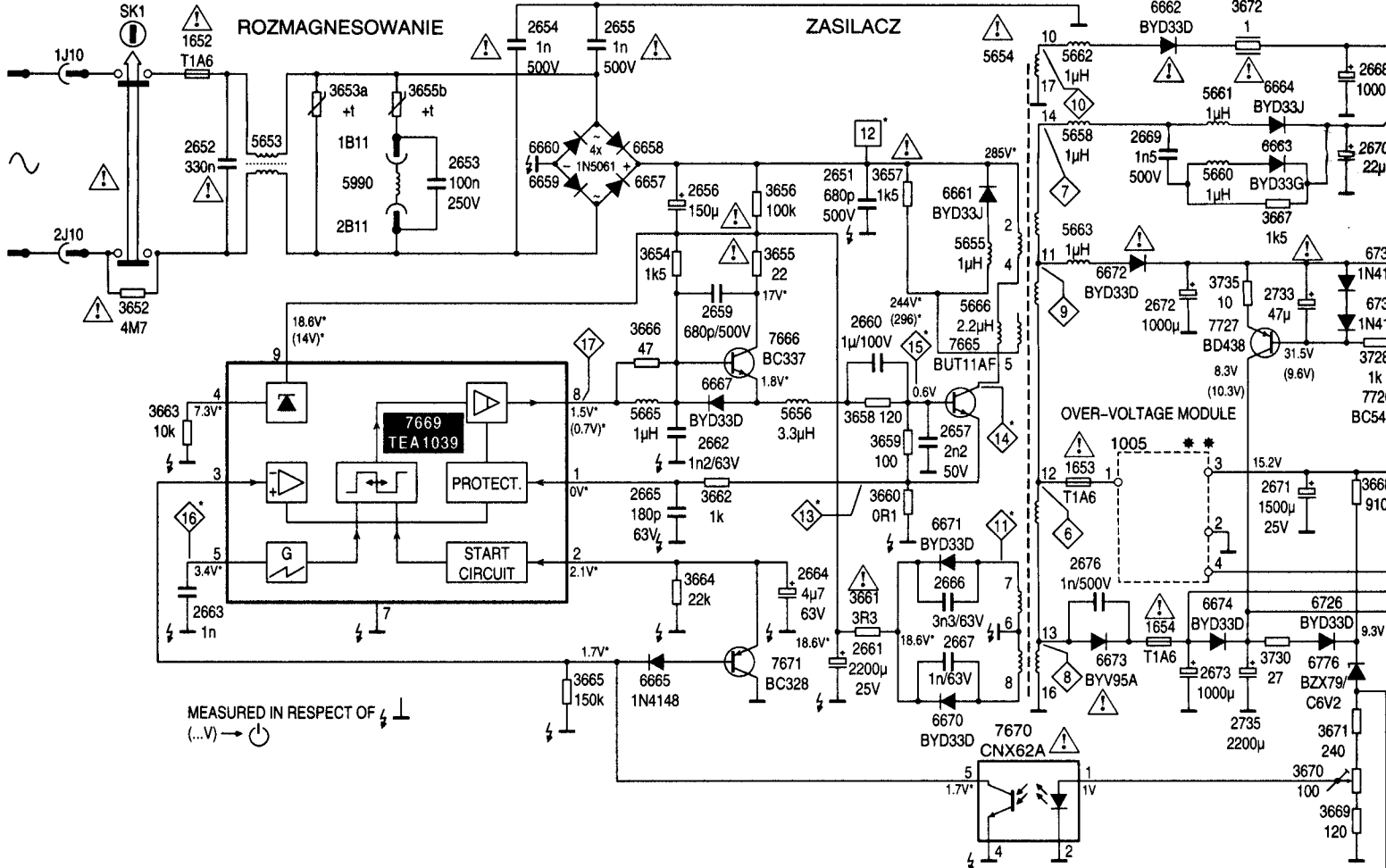
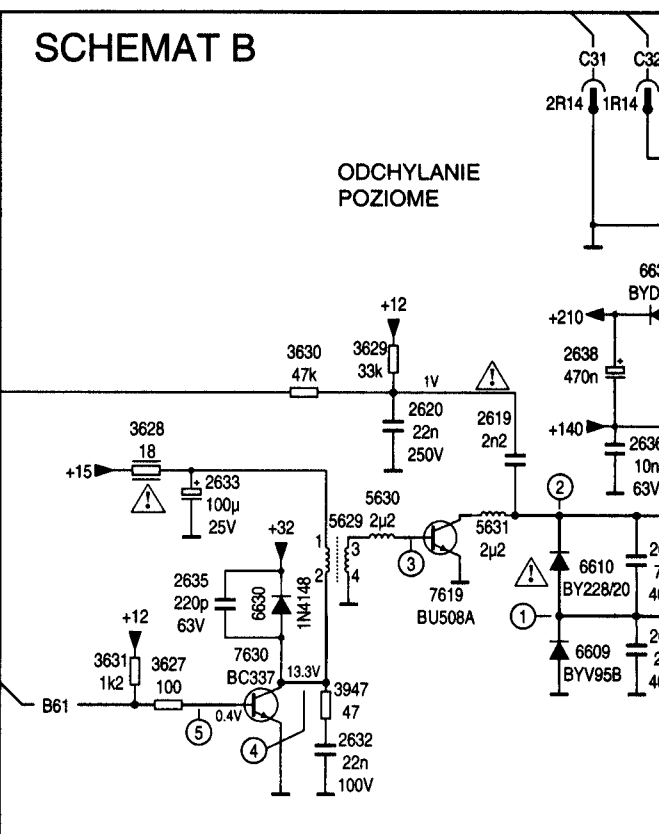
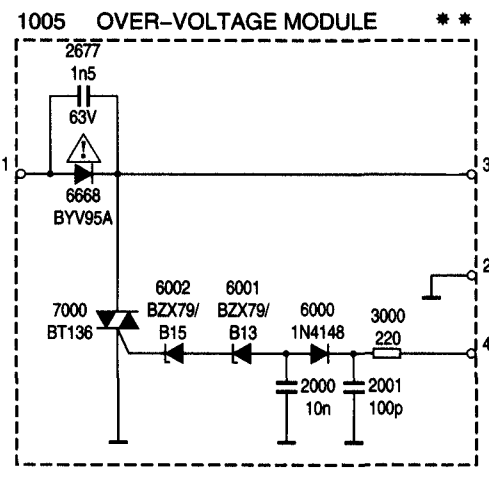
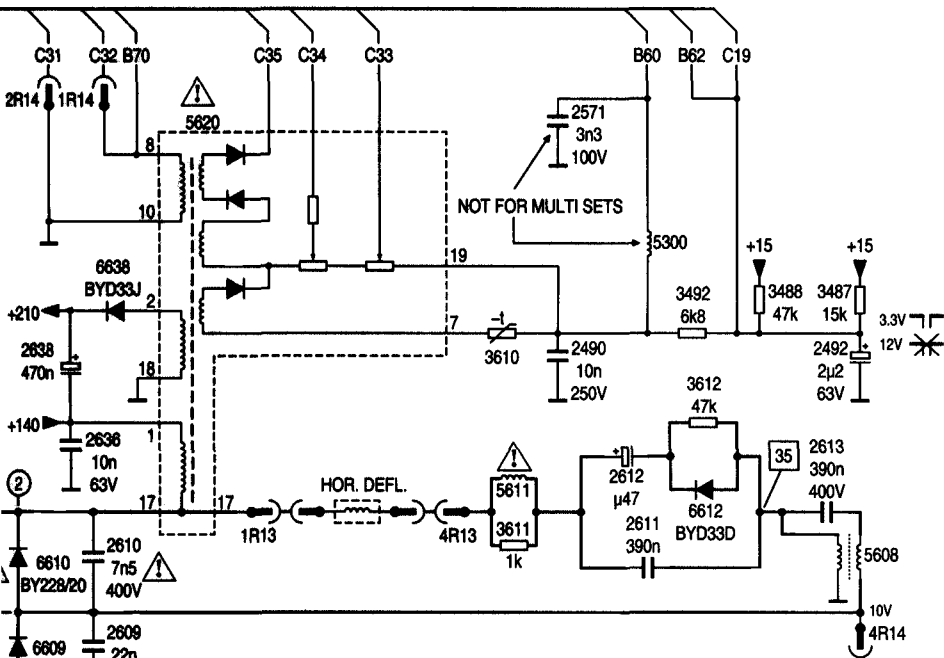


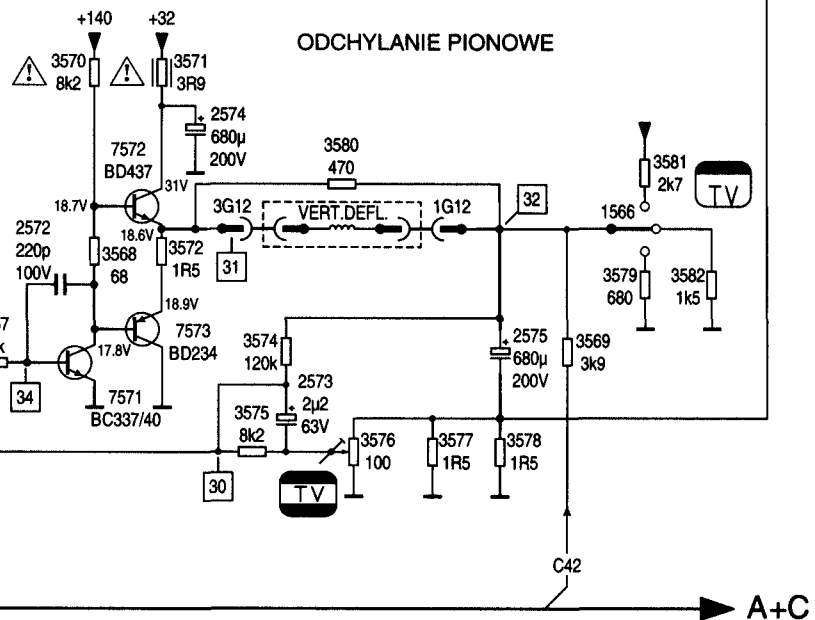
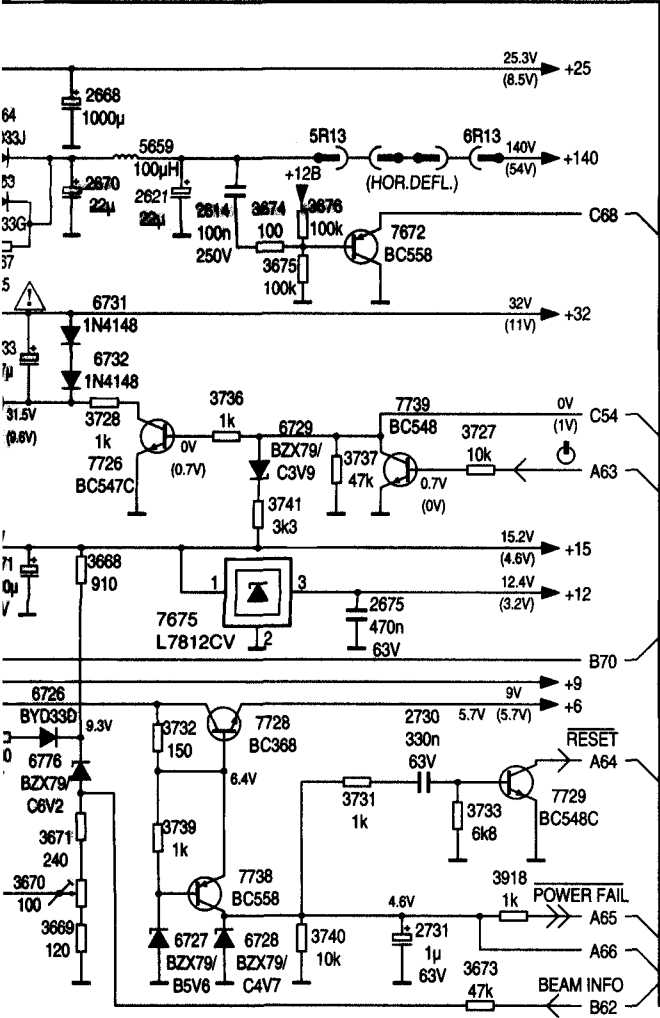
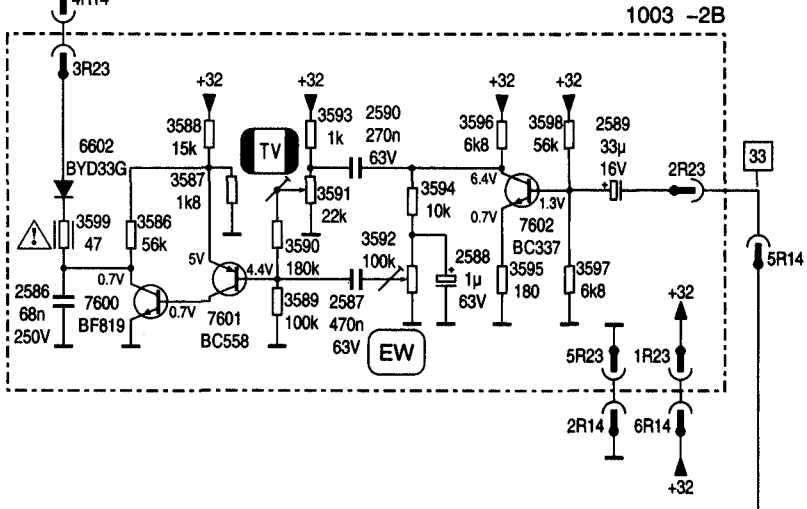
**SCHEMAT B**



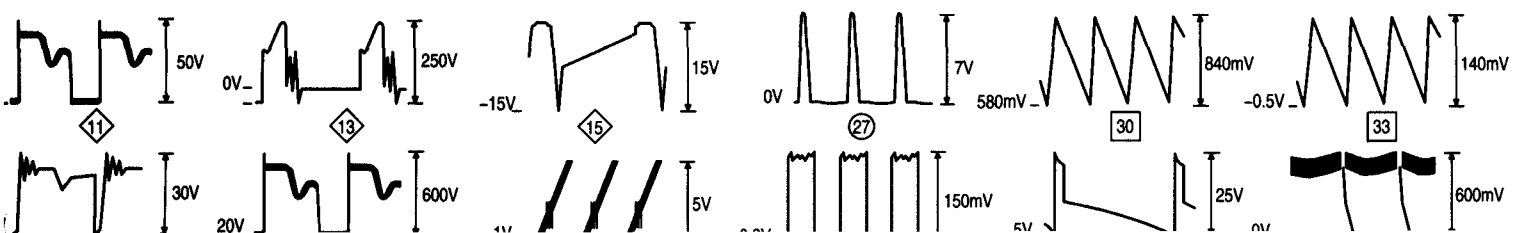


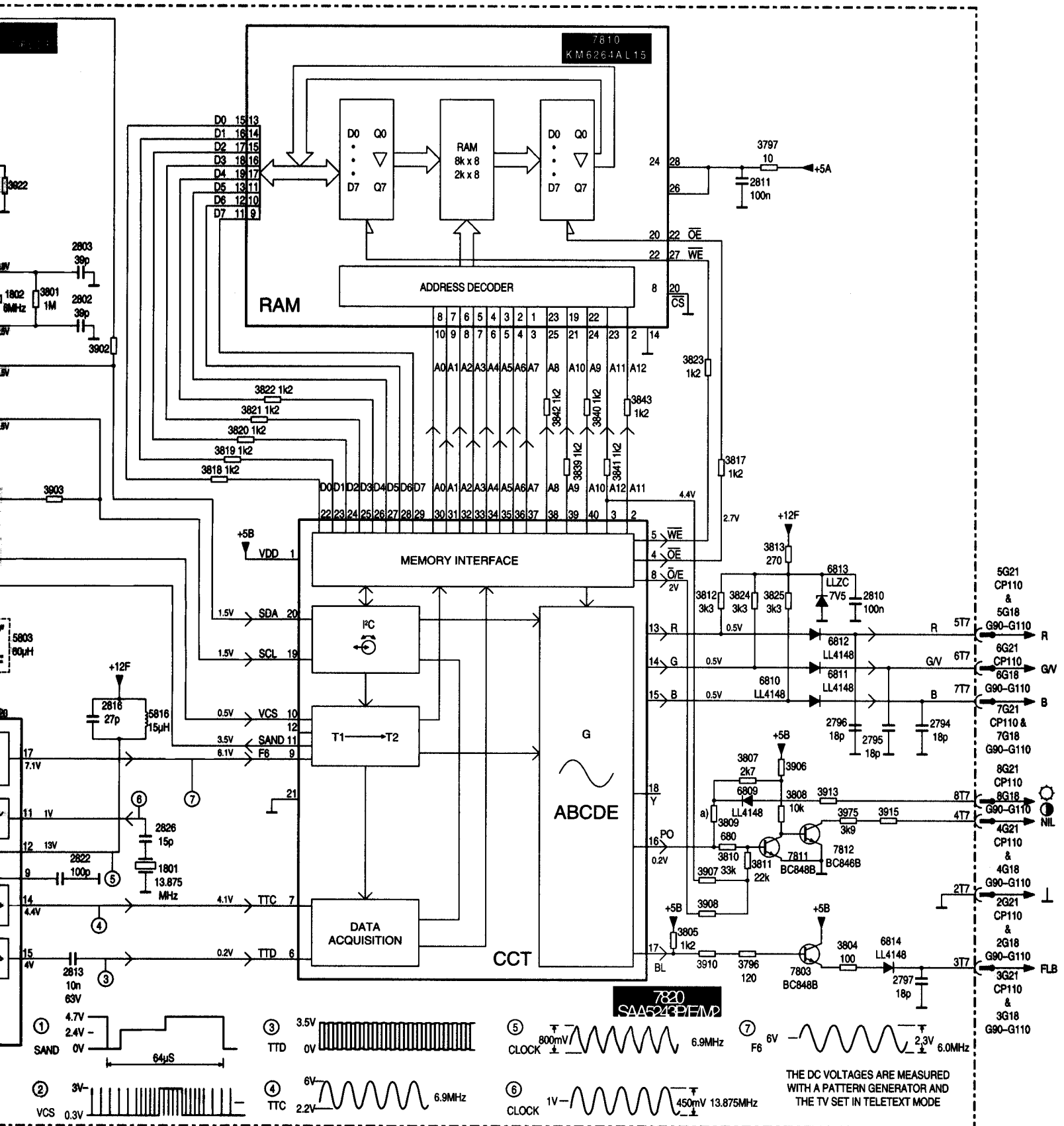


KOREKCJA

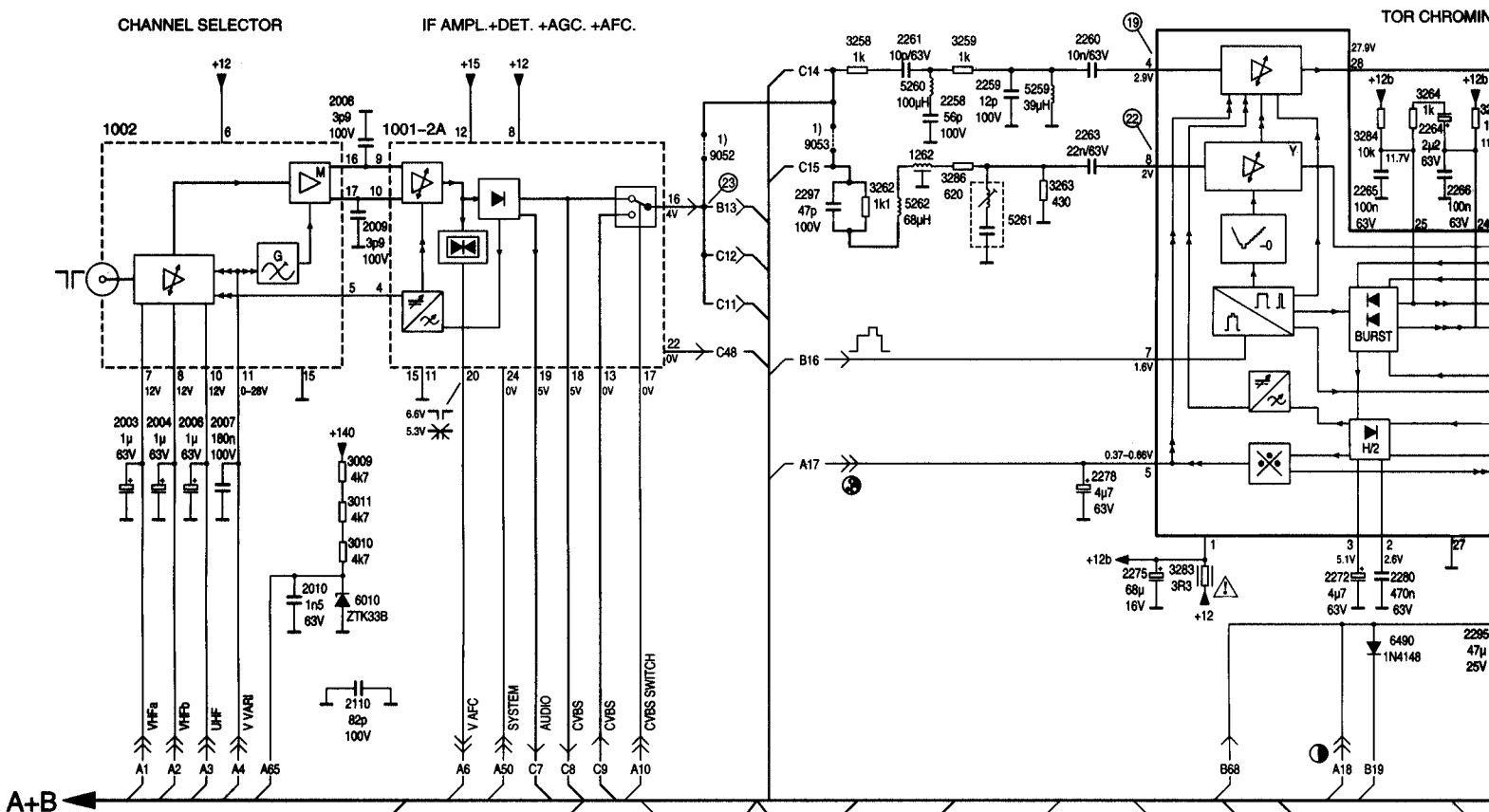


A+C





**trona 1/2**



**SCHEMAT C**

**REMARKS:**

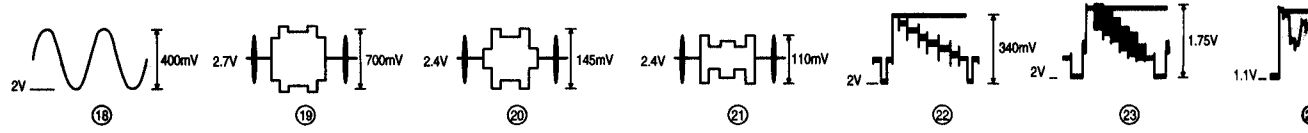
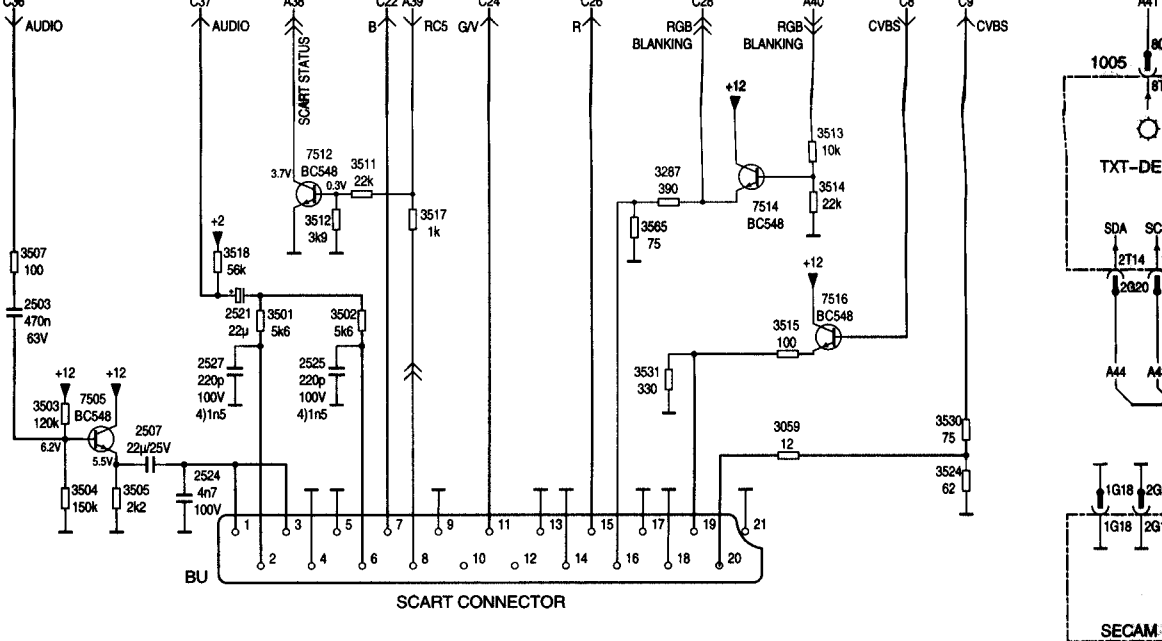
1) -NOT PRESENT FOR PAL/SECAM SETS.

2) -FOR VERSION:

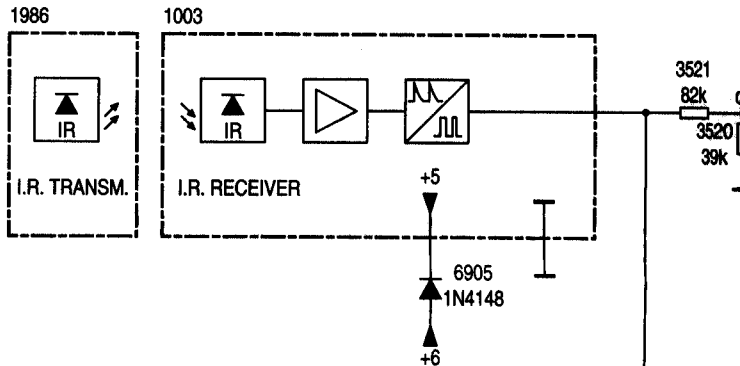
	BG 5.5MHz	I 6MHz	MULTI-FR 6.0MHz	P/S BG 6.5MHz
1103	-	X	-	-
1104	X	-	X	X
2109	-	-	X	X
5109	-	-	X	X
9039	X	X	-	-
	X: PRESENT    -: NOT PRESENT			

3) -ONLY FOR MULTI-SETS

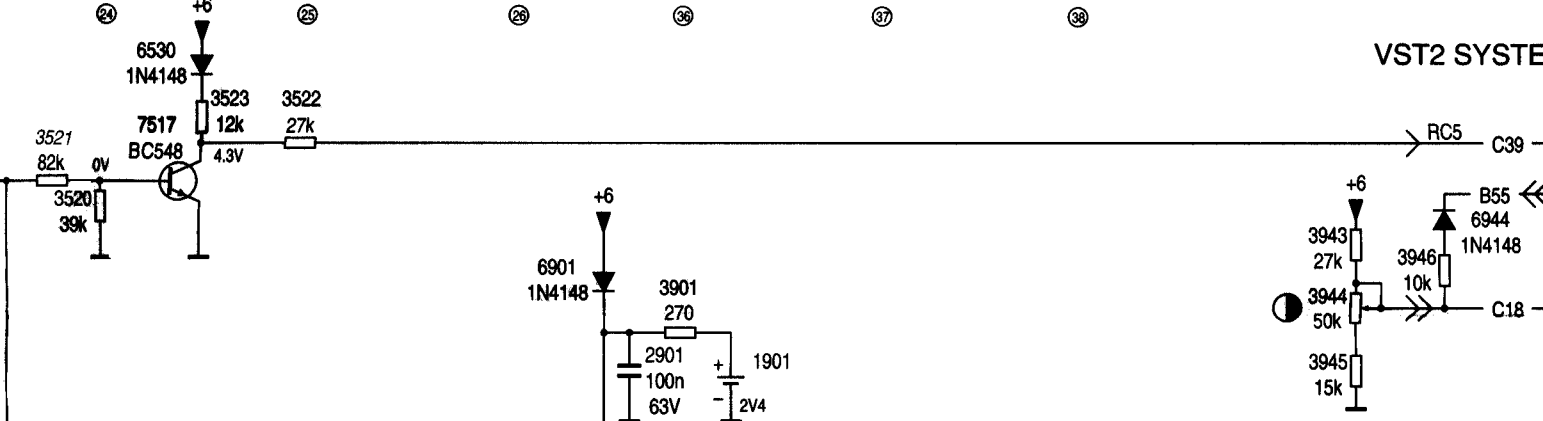
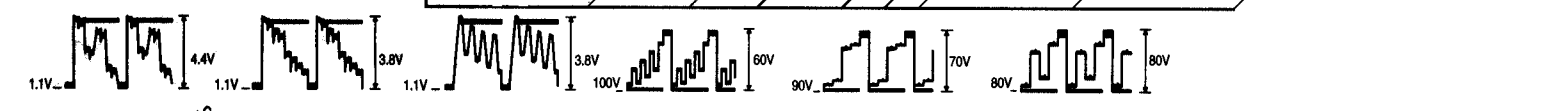
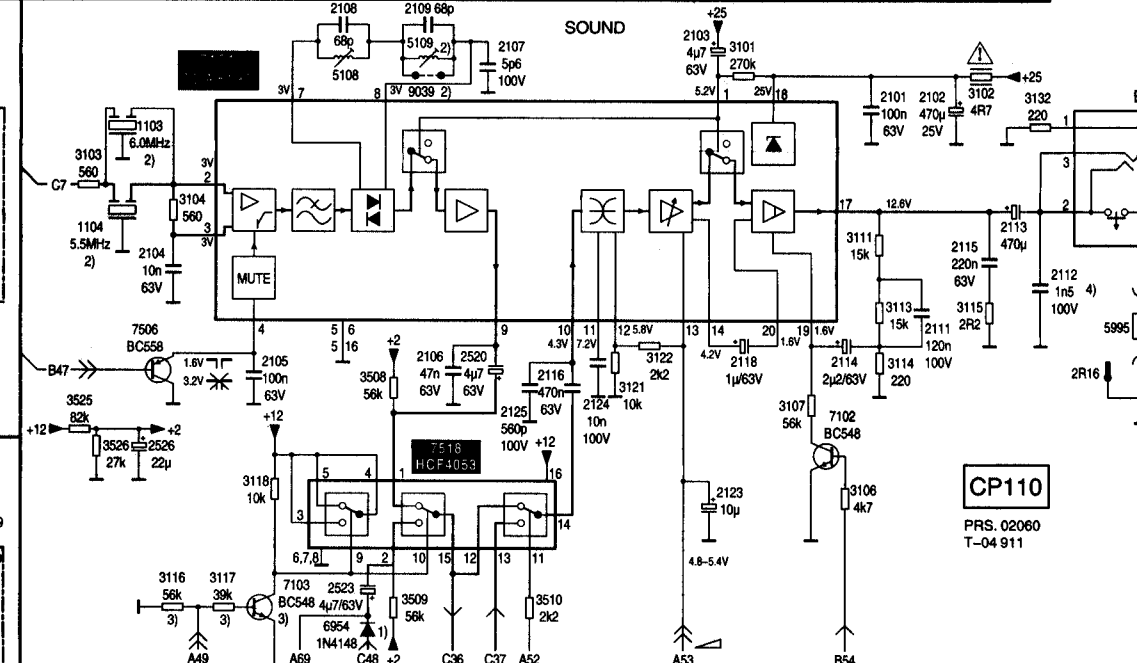
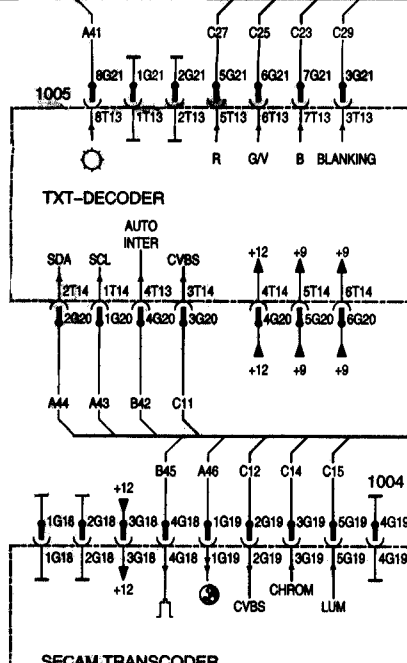
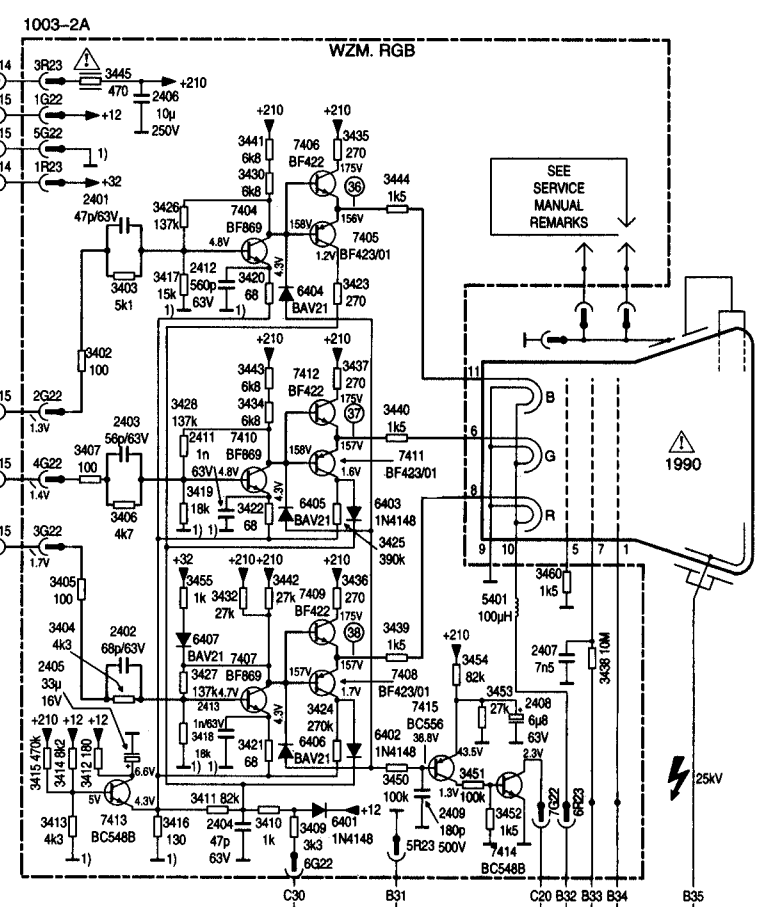
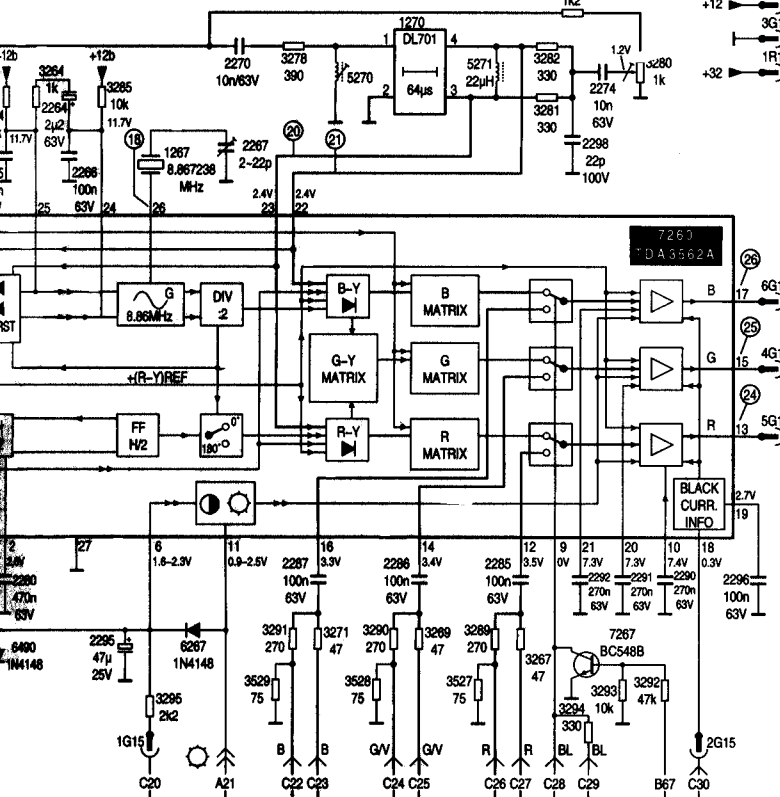
4) -ONLY FOR AMTSBLATT VERSION



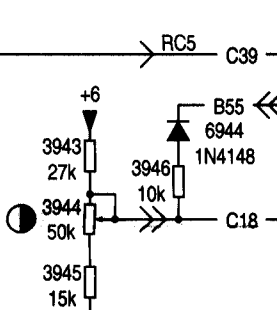
**SCHEMAT A**



TDR-CHROMINCJI-LUMINACJI



VST2 SYSTEM



1003-2A

WZM.RGB

SEE SERVICE MANUAL REMARKS

1990

25kV

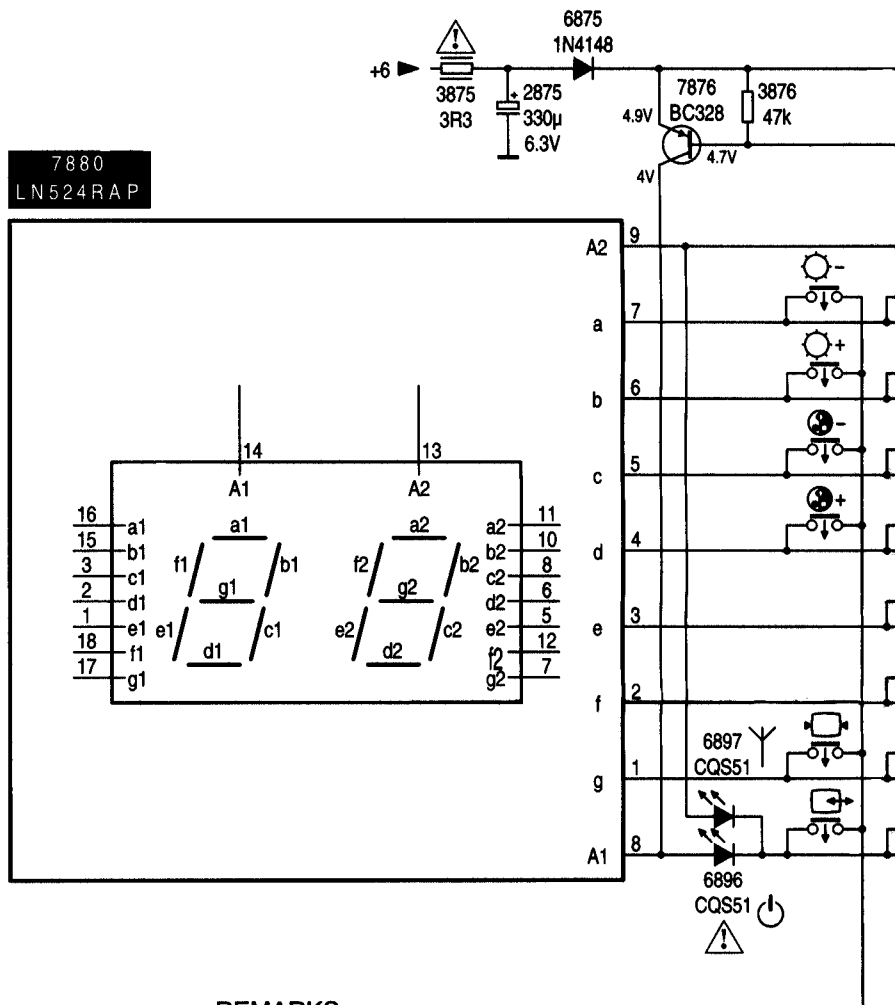
SOUND

CP110  
PRS. 02060  
T-04 911

# OTVC Philips chassis CP 110

Strona 2/2

↑ 1N4148  
+6



**REMARKS:**

- 1) PRESENT IN UHF-ONLY SETS
- 2) NOT PRESENT IN UHF-ONLY SETS
- 3) PRESENT IN MULTI-FRANCE SETS

