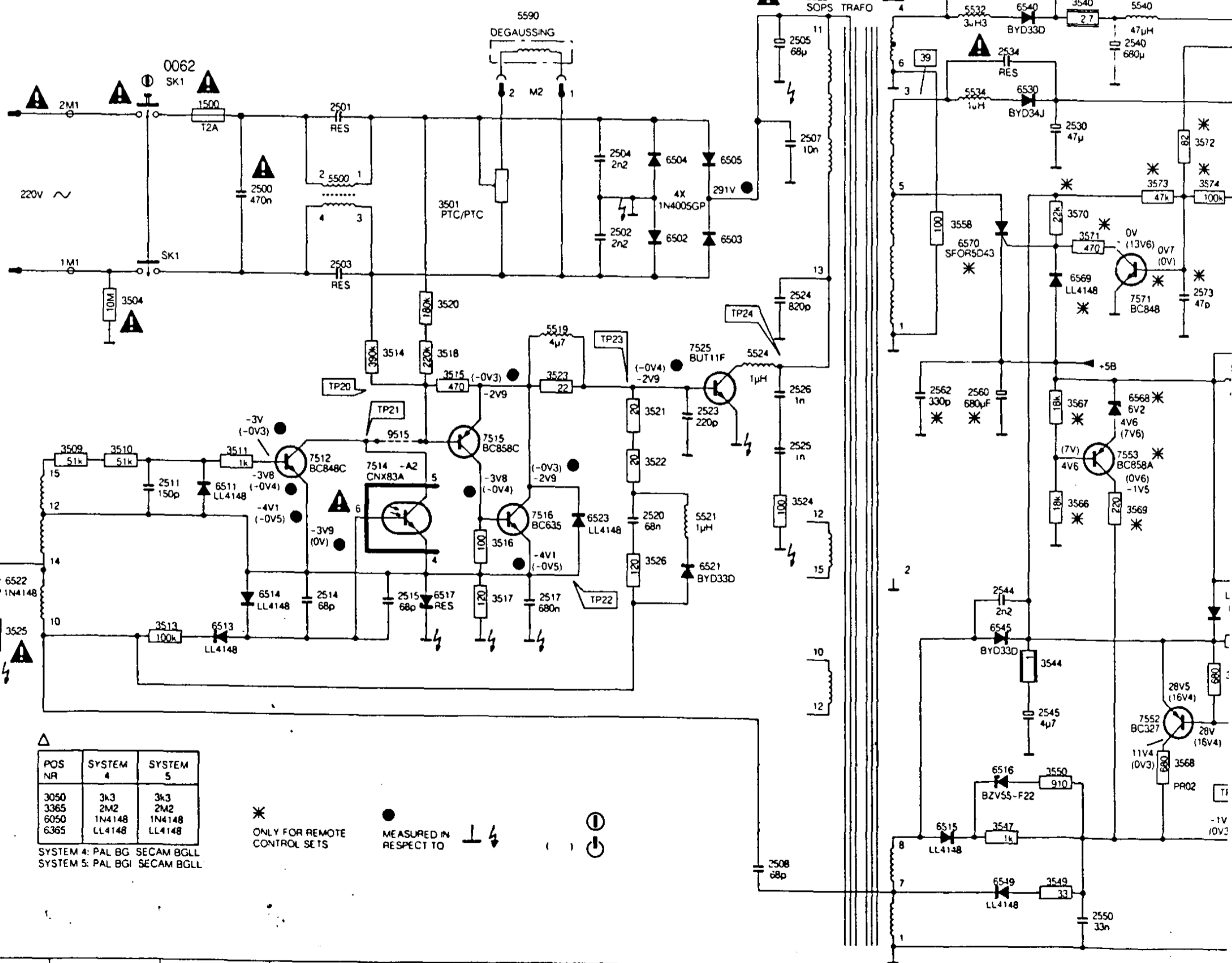


Power supply / alimentation



POS NR	SYSTEM 4	SYSTEM 5
3050	3k3	3k3
3365	2M2	2M2
6050	1N4148	1N4148
6365	LL4148	LL4148

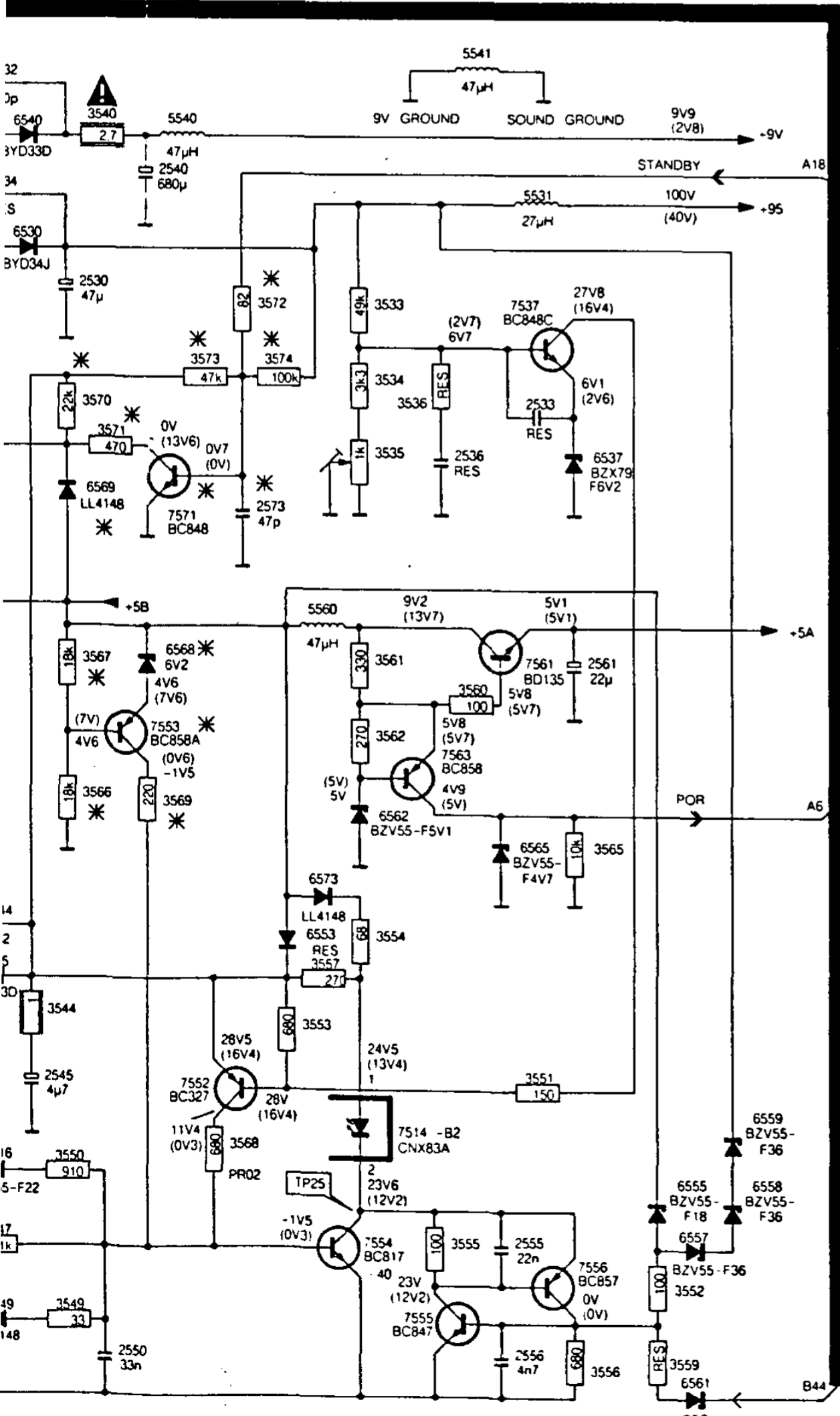
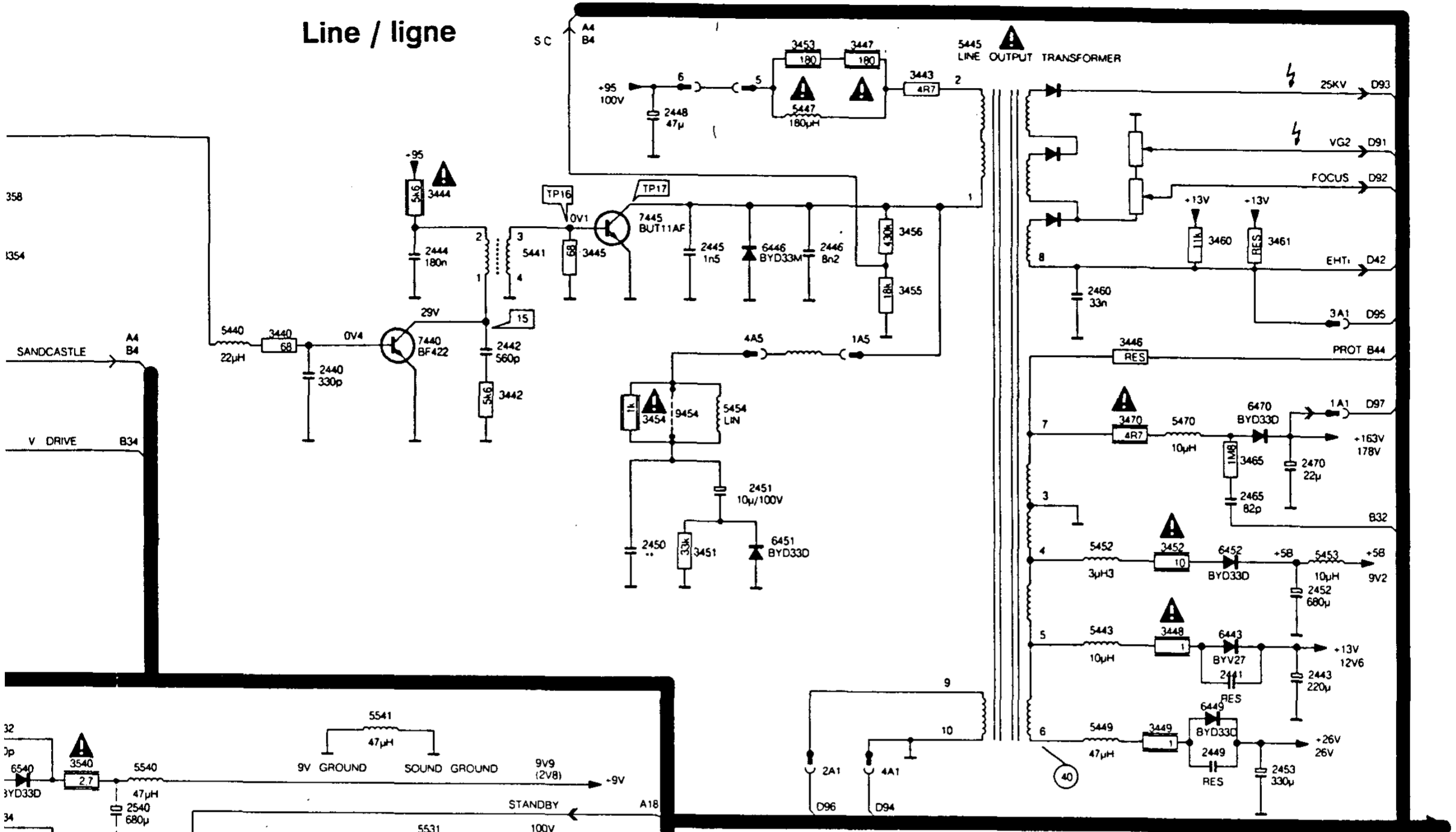
SYSTEM 4: PAL BG SECAM BGLL
 SYSTEM 5: PAL BGI SECAM BGLL

* ONLY FOR REMOTE CONTROL SETS

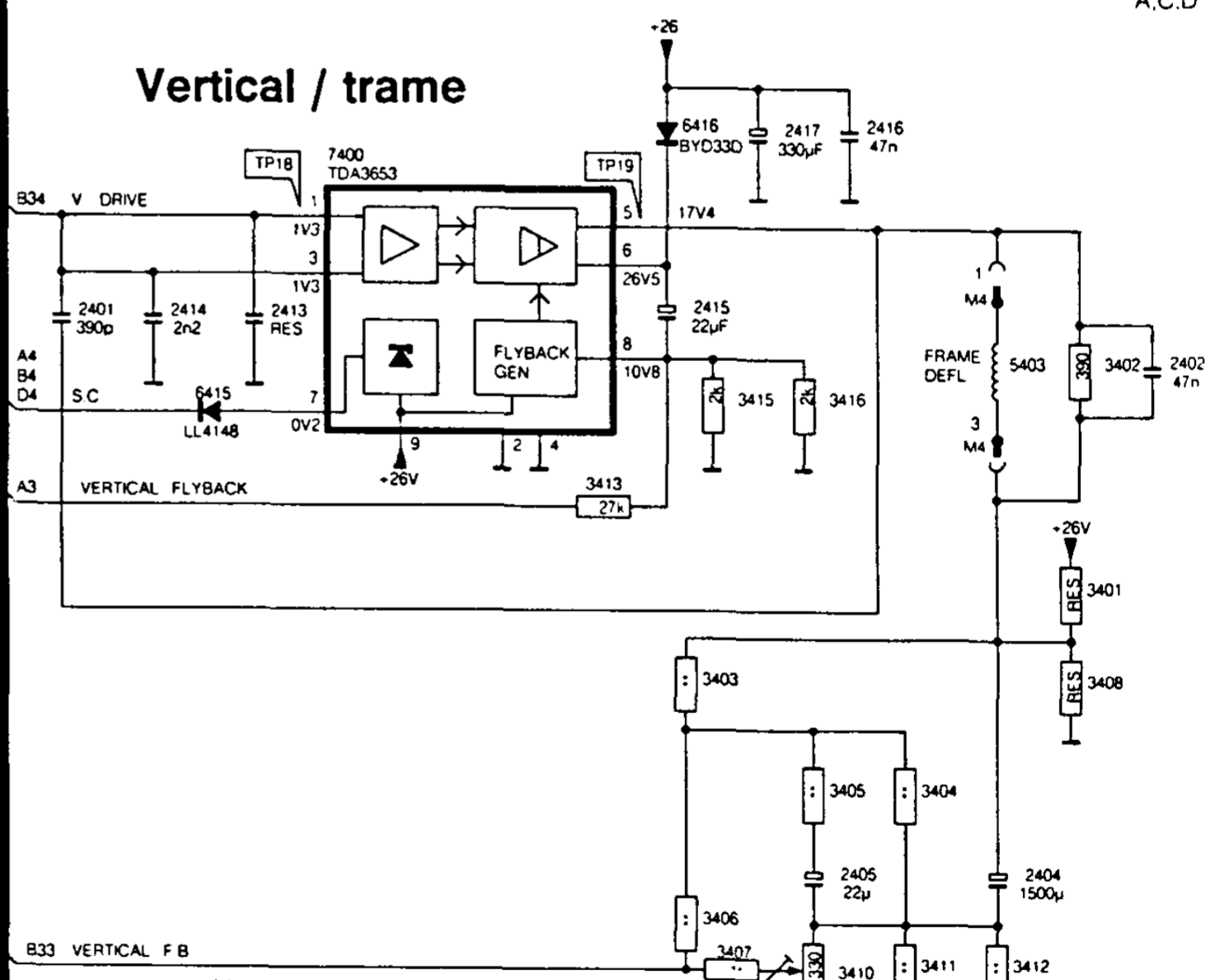
● MEASURED IN RESPECT TO

⊕

Line / ligne

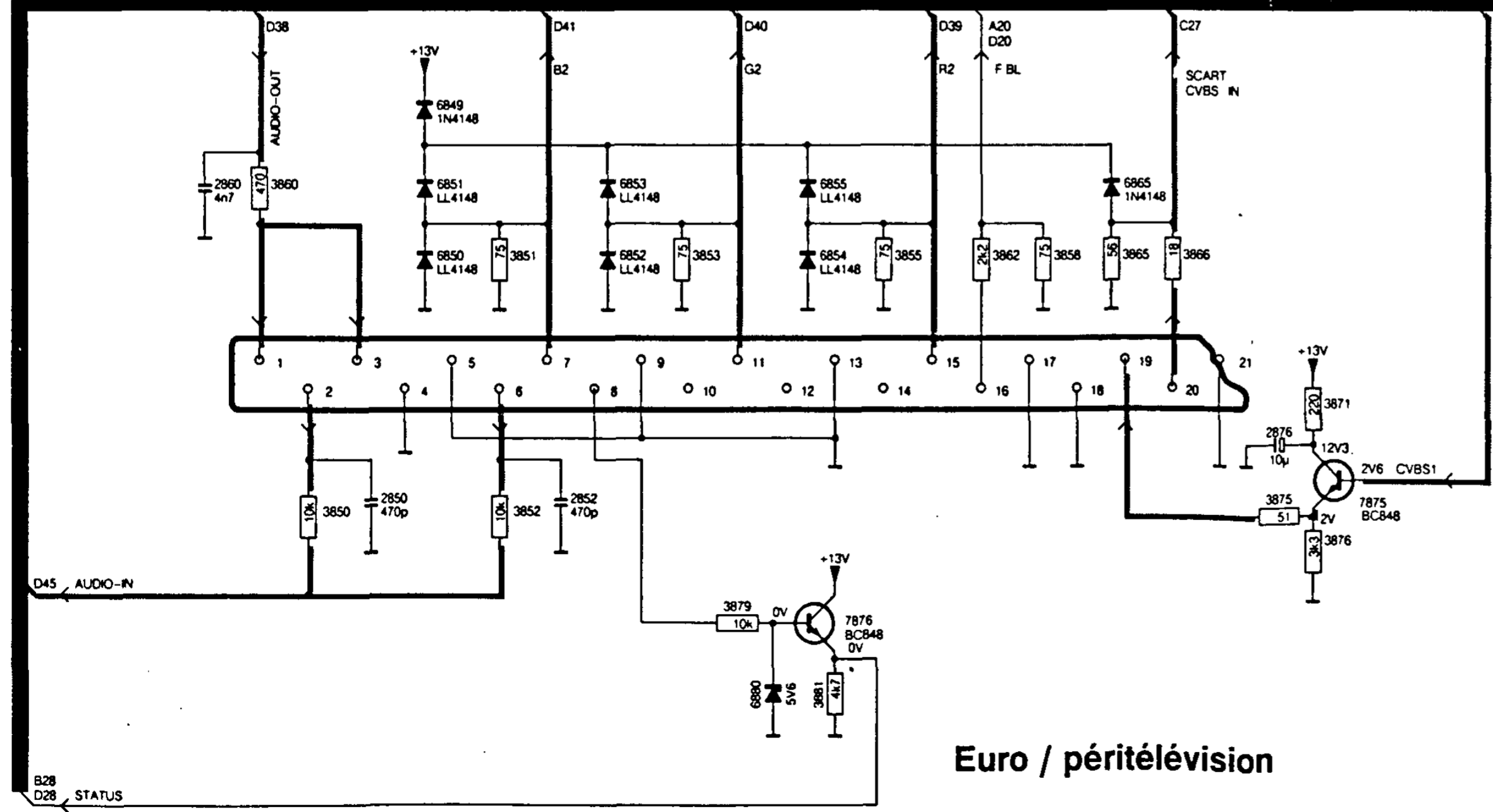
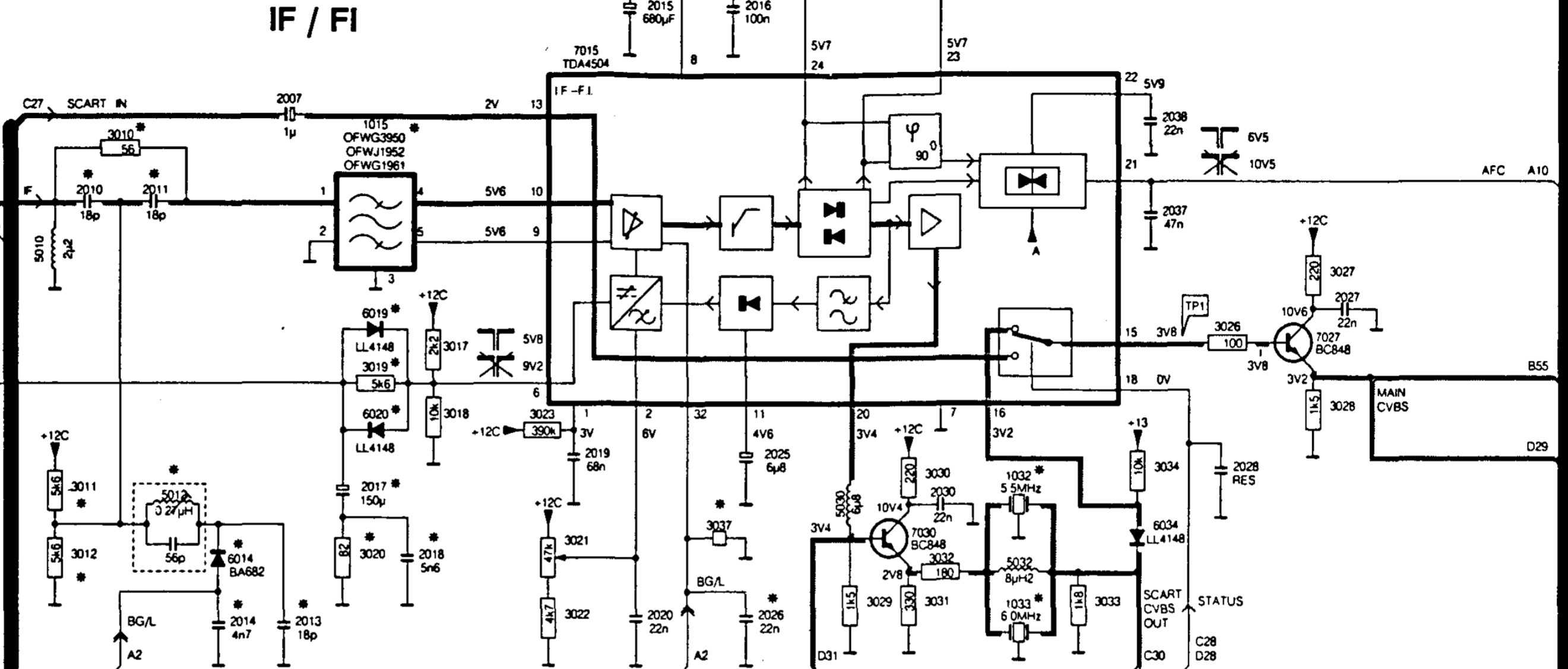
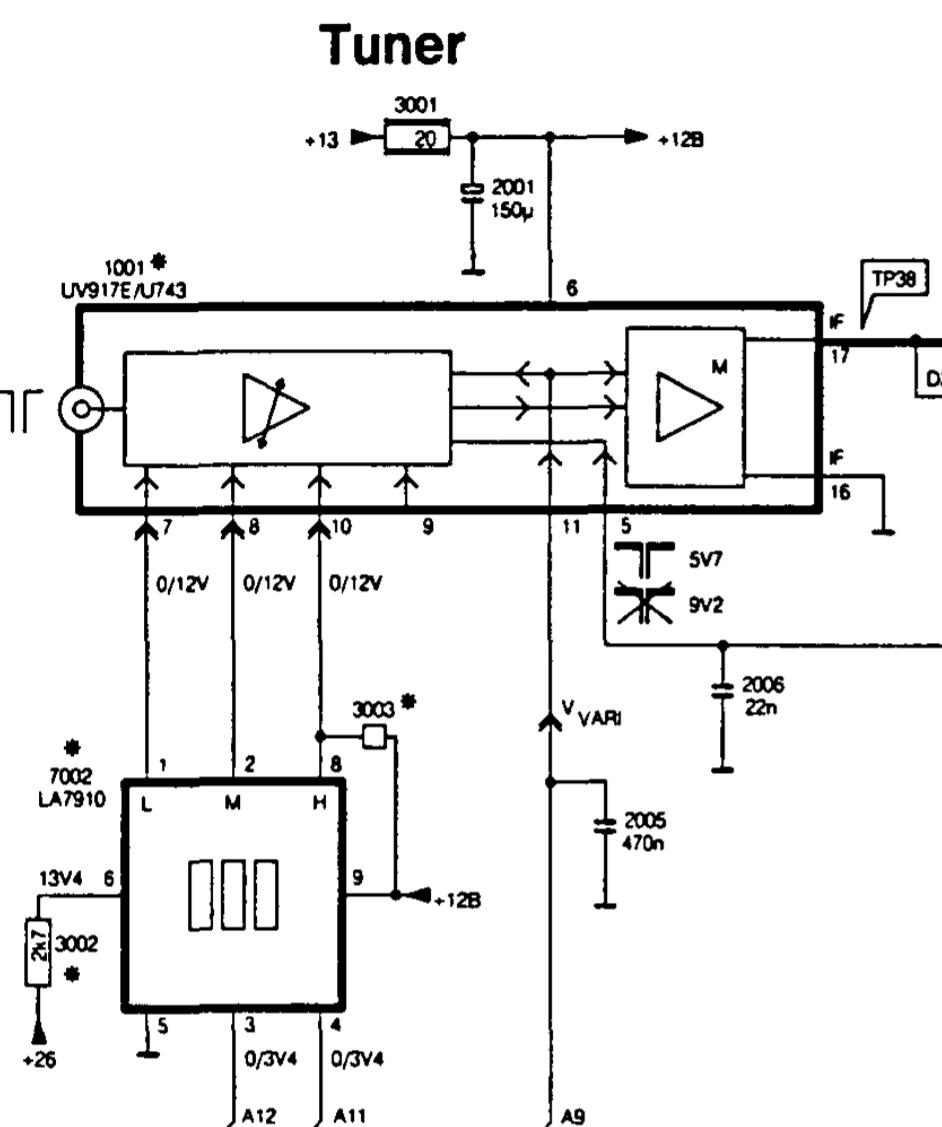


Vertical / trame



**

POS	14'	5 / 17'
2450	560n	470n
3403	3k3	3k9
3404	2k0	2k4
3405	130	150
3406	12k	15k
3407	18k	22k
3411	4R3	3R6
3412	4R3	3R6
3454	-	1k
5454	-	56331
9454	Jumper	-



* Component list table:

POS NR	SYSTEM 1	SYSTEM 2	SYSTEM 3	SYSTEM 4	SYSTEM 5
1001	UV917	U743	UV917	UV917	UV917
1015	OFWG1961	OFWJ1952	OFWG1961	OFWG3950	OFWG3950
1032	5.5MHz	-	5.5MHz	5.5MHz	5.5MHz
1033	-	6.0MHz	6.5MHz	-	6.0MHz
2010	-	-	-	18p	18p
2011	-	-	-	18p	18p
2013	-	-	-	18p	18p
2014	-	-	-	4n7	4n7
2017	100µF	100µF	100µF	150µF	150µF
2018	-	-	-	5n6	5n6
2026	-	-	-	22n	22n
2041	-	-	-	4n7	4n7
2043	-	-	-	4n7	4n7
2044	-	-	-	4n7	4n7
3010	JMP	JMP	JMP	56E	56E
3011	-	-	-	5k6	5k6
3012	-	-	-	5k6	5k6
3019	JMP	JMP	JMP	5k6	5k6
3020	JMP	JMP	JMP	82E	82E
3036	-	-	-	JMP	JMP
3037	JMP	JMP	JMP	-	-
3043	-	-	-	100k	100k
3049	-	-	-	820k	820k
5012	-	-	-	0.28µH	0.28µH
5040	0.19µH	0.19µH	0.19µH	0.30µH	0.30µH
5043	-	-	-	0.70µH	0.70µH
6014	-	-	-	BA682	BA682
6019	-	-	-	LL4148	LL4148
6020	-	-	-	LL4148	LL4148
7049	-	-	-	BC858	BC858

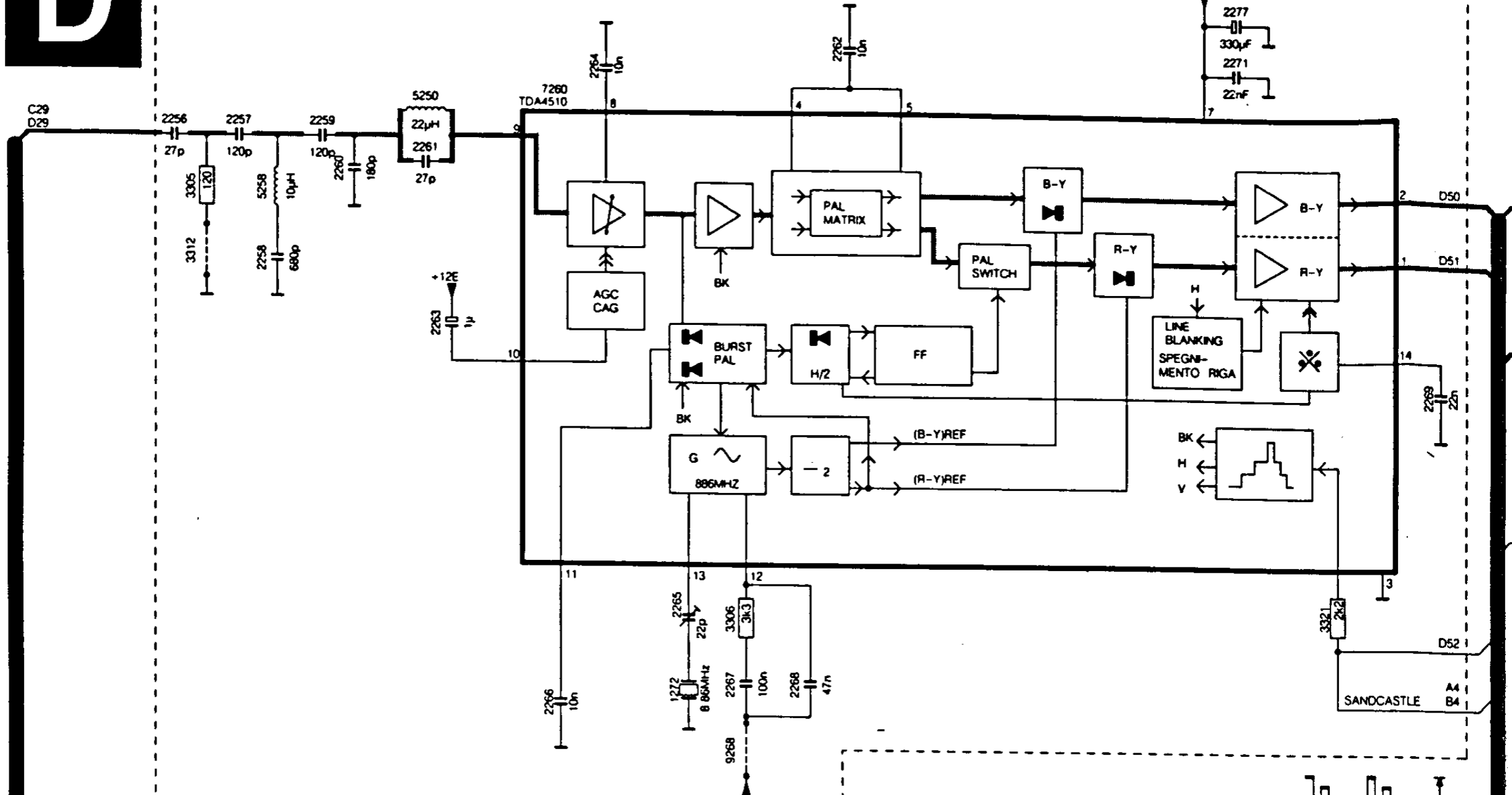
SYSTEM 1: PAL BG
SYSTEM 2: PAL I

A,B,D

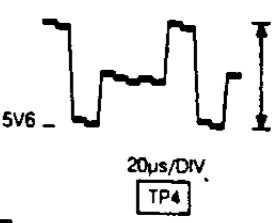
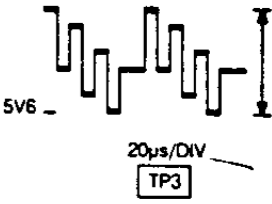
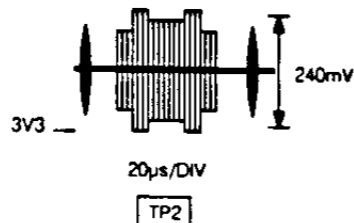
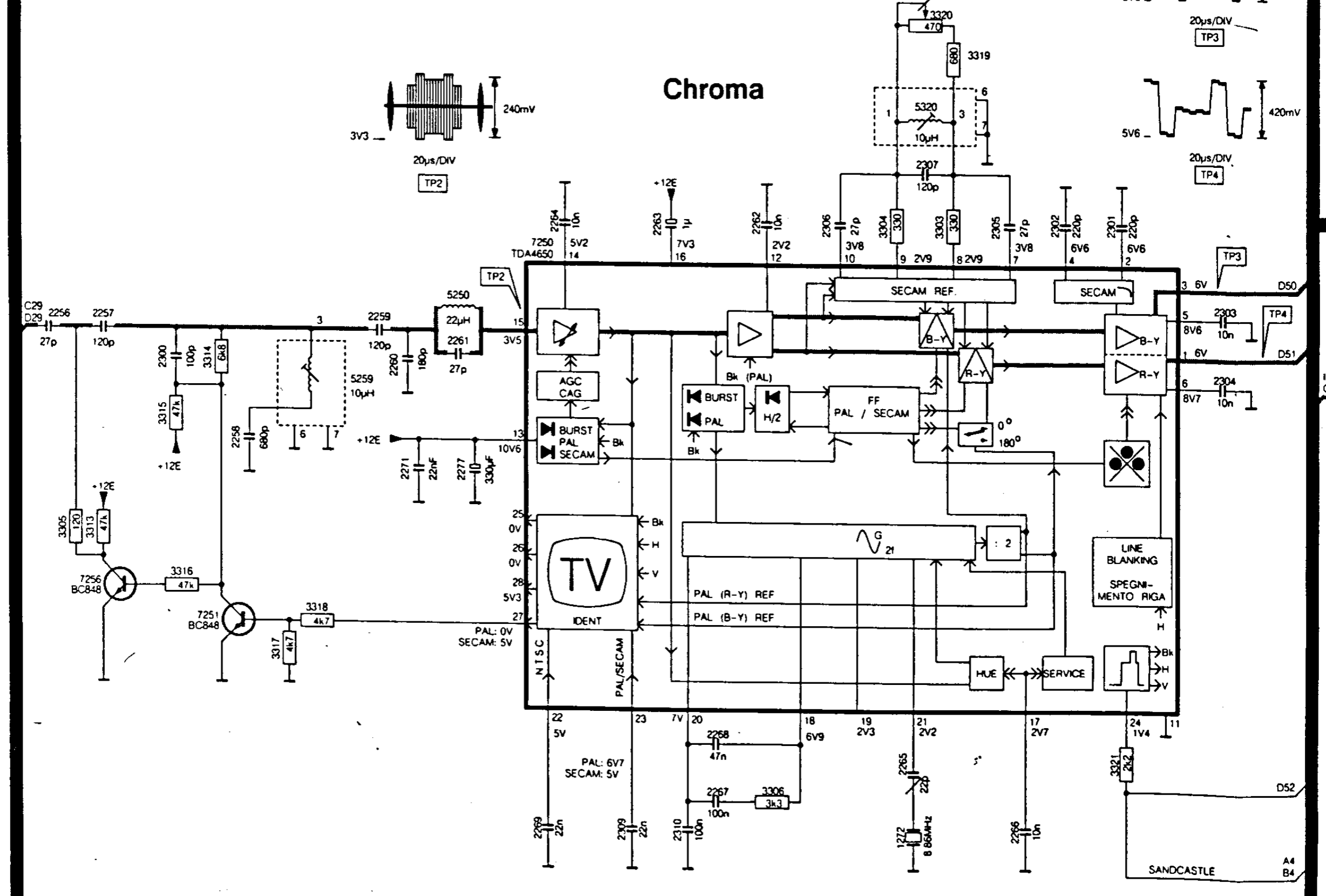
Chroma / son / platine du tube imagen

D

ONLY PAL SETS



Chroma



A.B.C

16 ANUBIS A

12 13 14 15 16 17 18 19 20 21 22

