

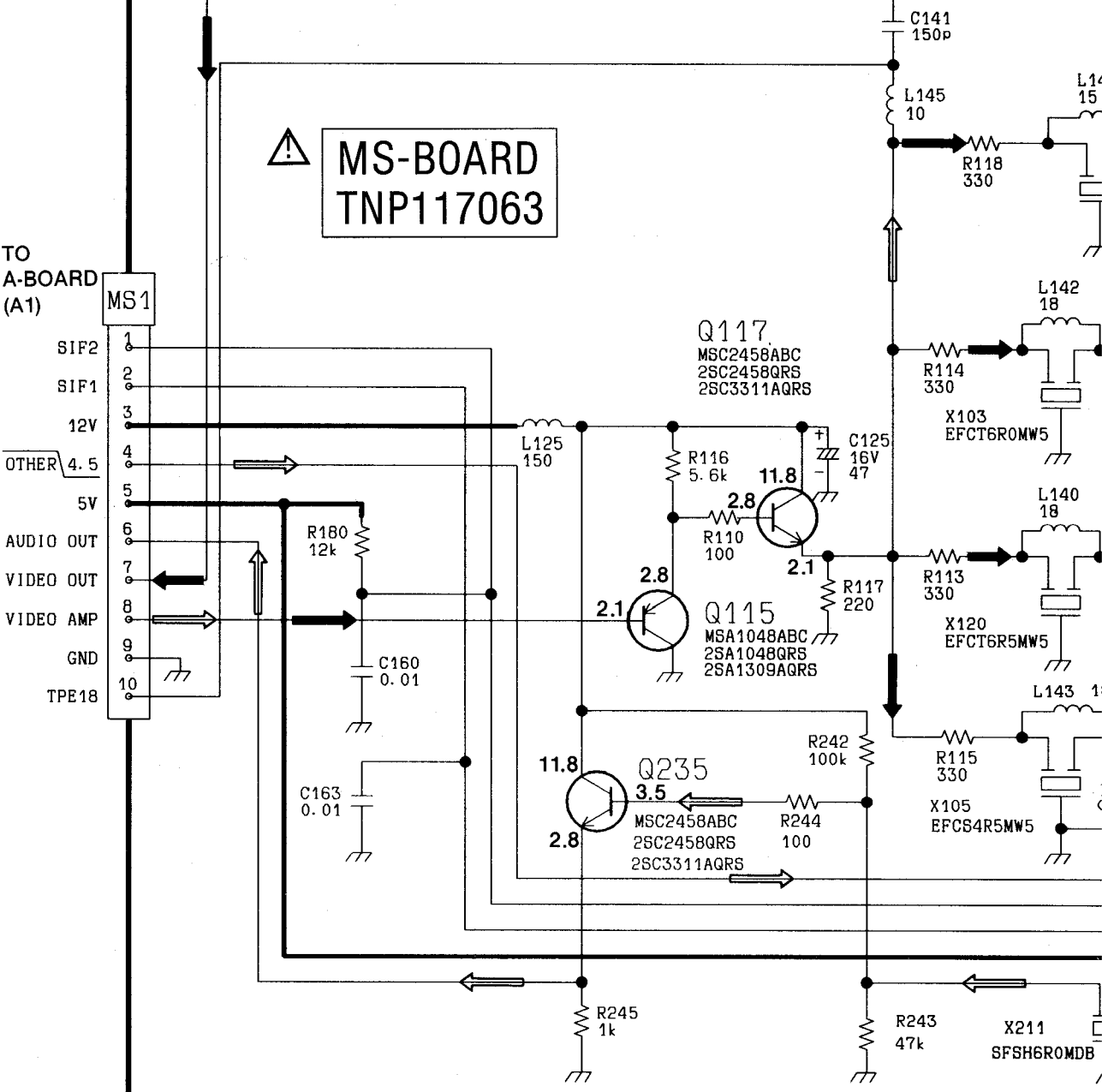


# MS-BOARD TNP117063

TO  
A-BOARD  
(A1)

MS1

- SIF2 1
- SIF1 2
- 12V 3
- OTHER 4.5 4
- 5V 5
- AUDIO OUT 6
- VIDEO OUT 7
- VIDEO AMP 8
- GND 9
- TPE18 10



Q117  
MSC2458ABC  
2SC2458QRS  
2SC3311AQRS

Q115  
MSA1048ABC  
2SA1048QRS  
2SA1309AQRS

Q235  
MSC2458ABC  
2SC2458QRS  
2SC3311AQRS

C141  
150p

L145  
10

R118  
330

L14  
15

L142  
18

R114  
330

X103  
EFCT6R0MW5

L140  
18

R113  
330

X120  
EFCT6R5MW5

L143  
18

R115  
330

X105  
EFC54R5MW5

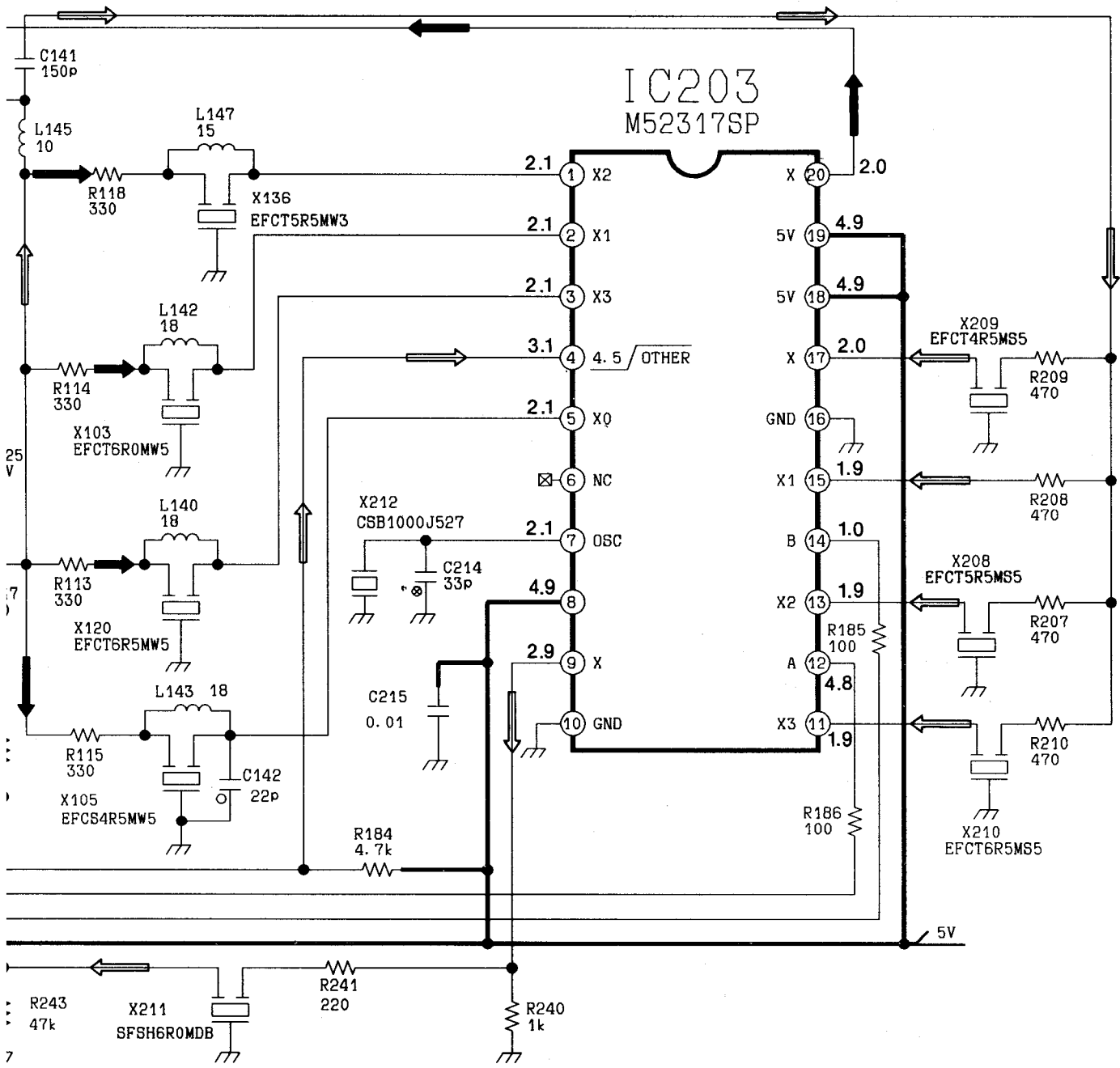
R242  
100k

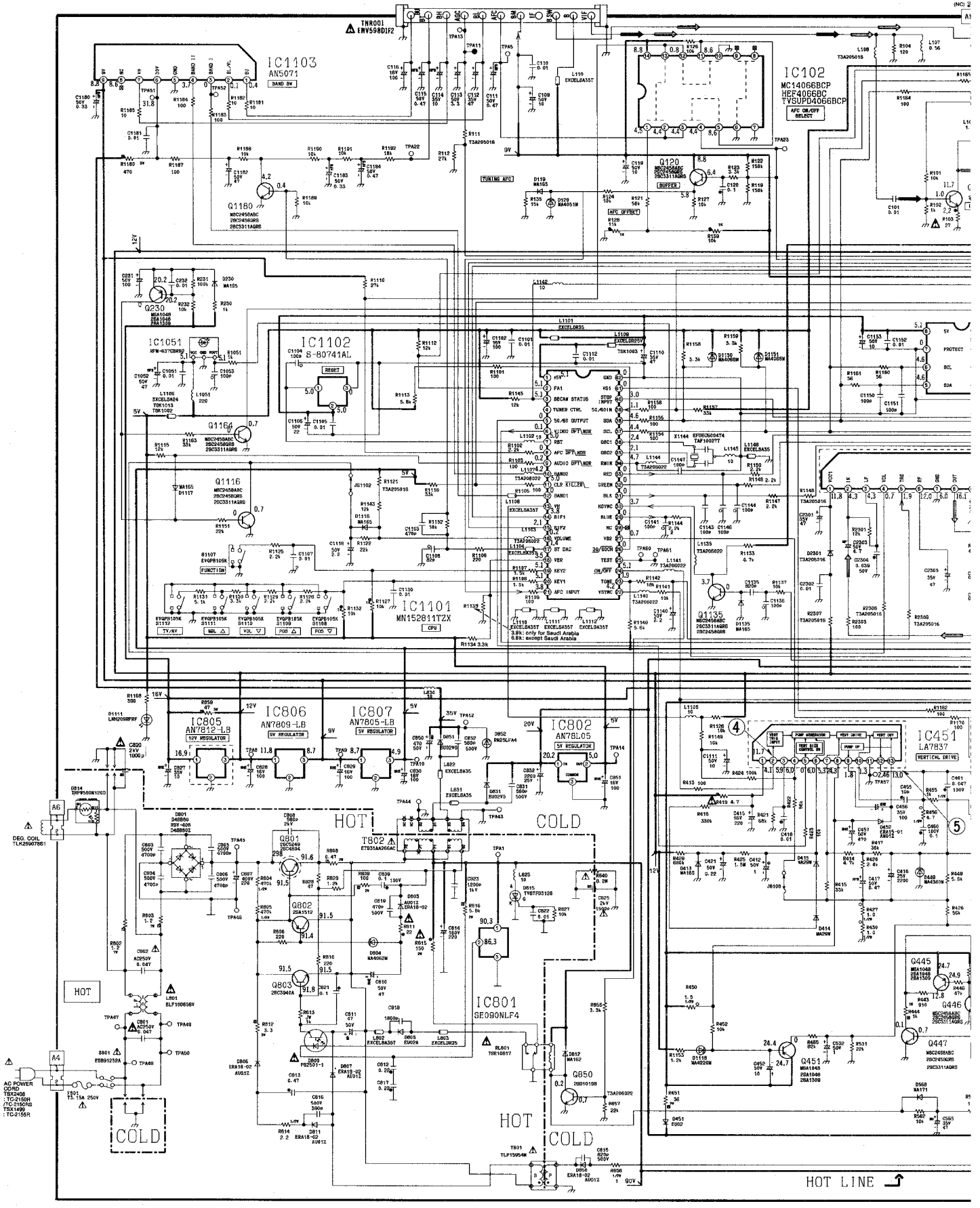
R244  
100

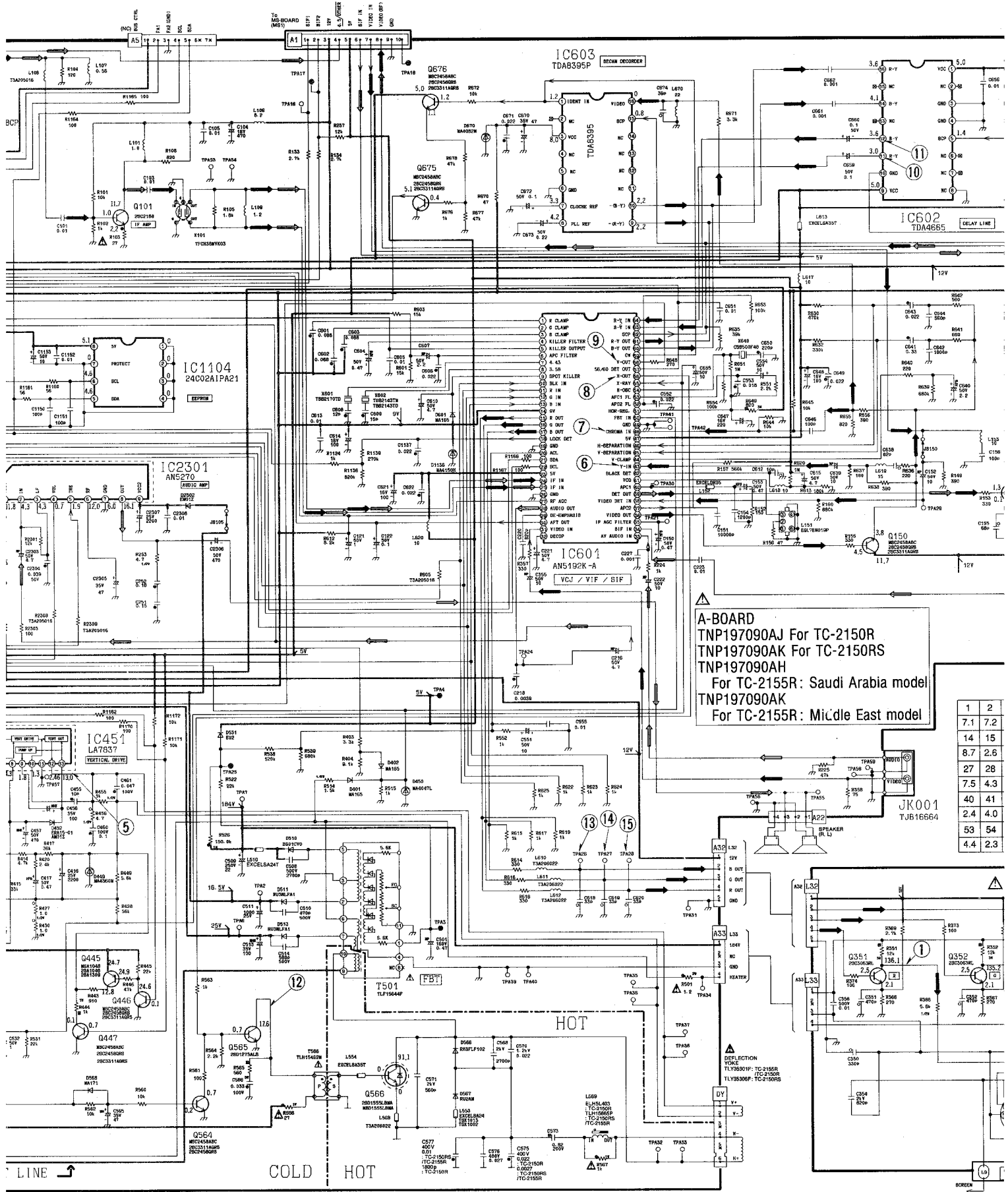
R245  
1k

R243  
47k

X211  
FSFH6ROMDB





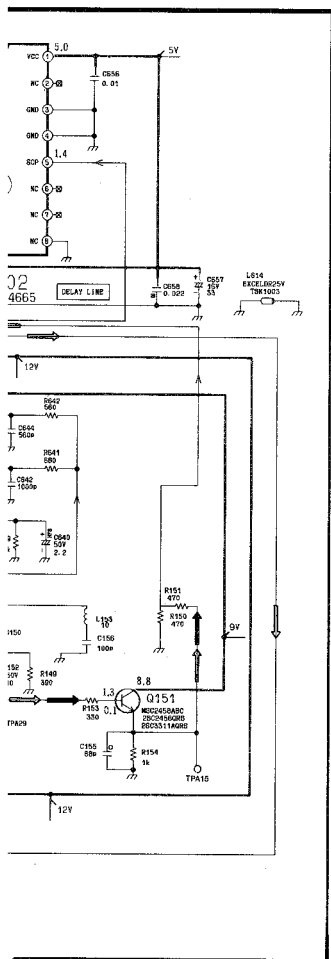


**A-BOARD**  
 TNP197090AJ For TC-2150R  
 TNP197090AK For TC-2150RS  
 TNP197090AH  
 For TC-2155R: Saudi Arabia model  
 TNP197090AK  
 For TC-2155R: Middle East model

1	2
7.1	7.2
14	15
8.7	2.6
27	28
7.5	4.3
4.0	4.1
2.4	4.0
5.3	5.4
4.4	2.3

LINE → COLD HOT DEFLECTION Yoke TLY38301P: TC-2150R TLY38306P: TC-2150RS TLY38306P: TC-2150RS TLY38306P: TC-2150RS

# WAVEFORM PATTERN TABLE



Voltage Table for IC601

1	2	3	4	5	6	7	8	9	10	11	12	13
7.1	7.2	7.1	3.1	5.0	2.5	2.6	3.2	8.5	0	0	0	0
14	15	16	17	18	19	20	21	22	23	24	25	26
8.7	2.6	2.6	2.6	6.4	0	3.0	4.6	4.6	5.0	2.9	2.7	0
27	28	29	30	31	32	33	34	35	36	37	38	39
7.5	4.3	4.5	4.4	1.9	4.7	4.3	3.9	4.7	4.5	2.0	1.9	1.2
40	41	42	43	44	45	46	47	48	49	50	51	52
2.4	4.0	4.2	3.8	2.7	2.1	2.1	5.0	4.4	0	0.5	6.5	2.4
53	54	55	56	57	58	59	60	61	62	63	64	
4.4	2.3	0	1.4	1.1	4.1	1.2	2.3	2.3	0.7	4.0	4.0	

