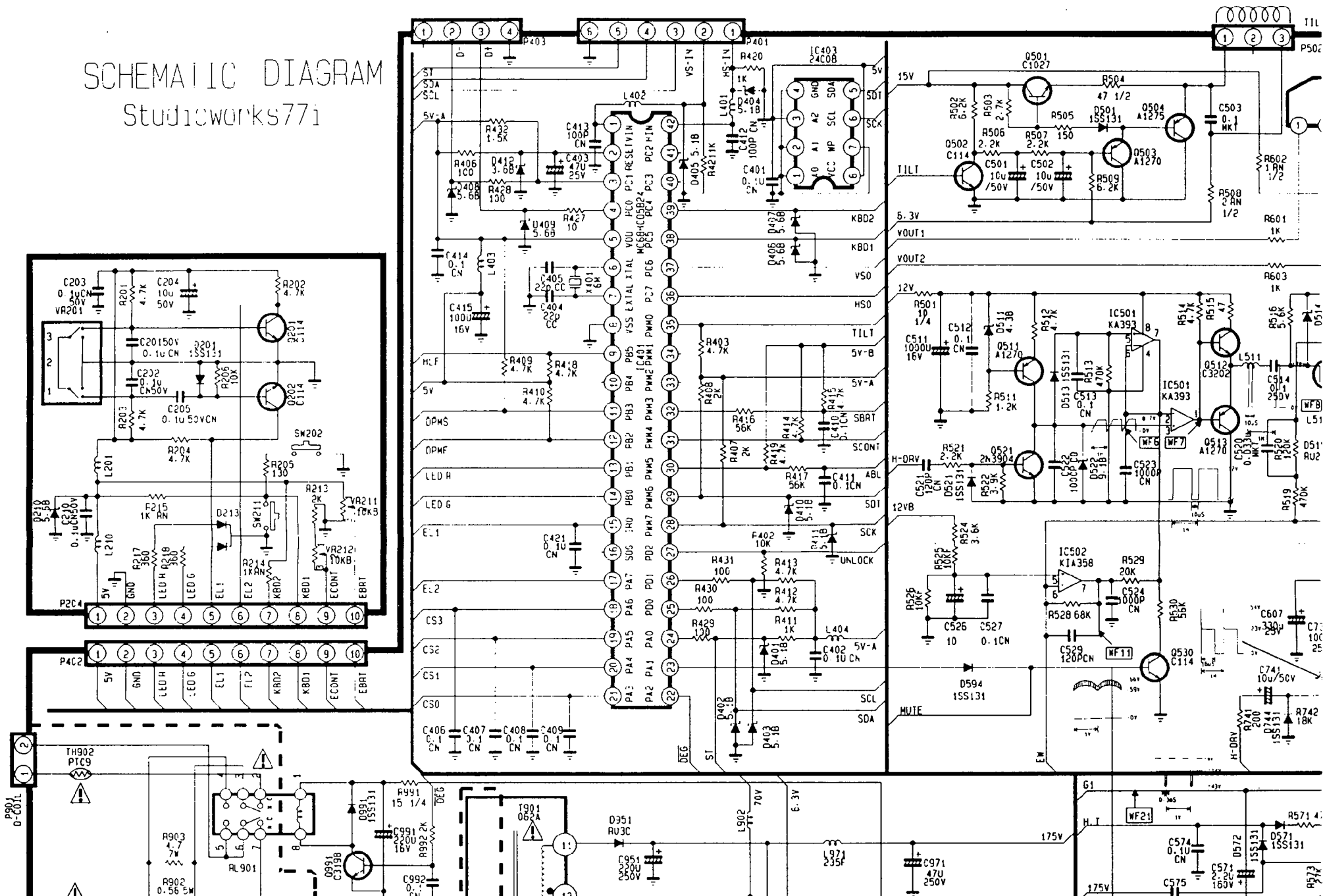
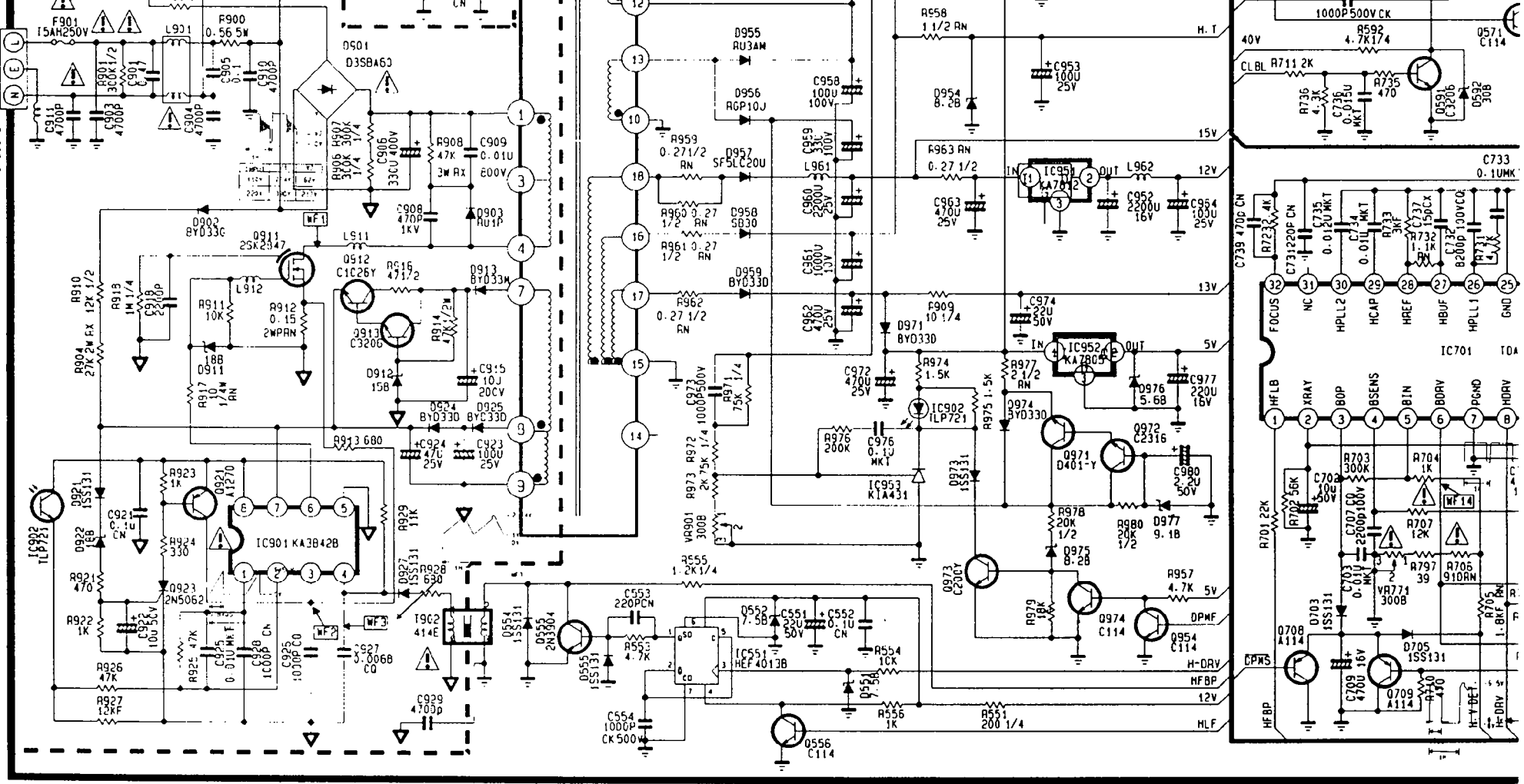


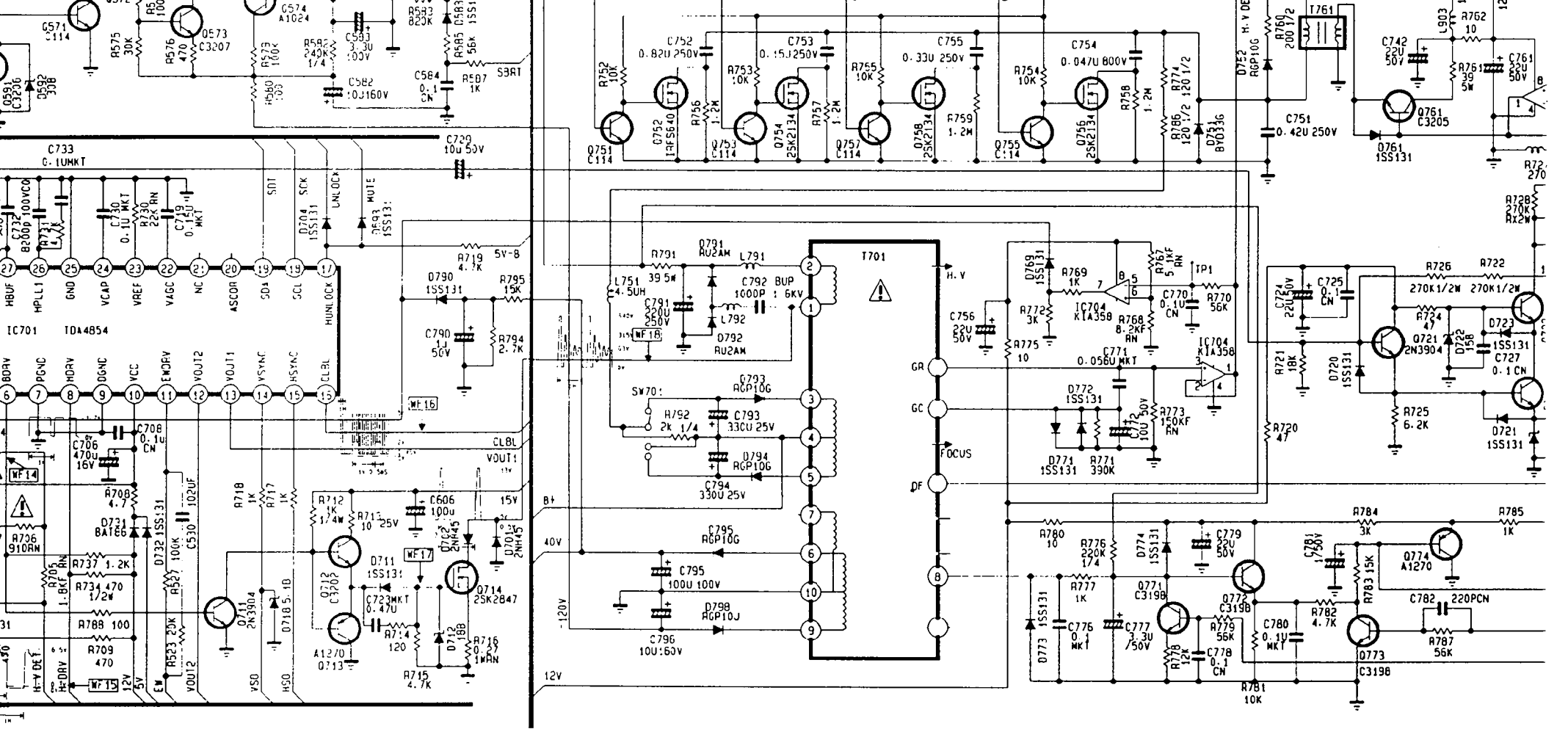
SCHEMATIC DIAGRAM

StudioWorks77i

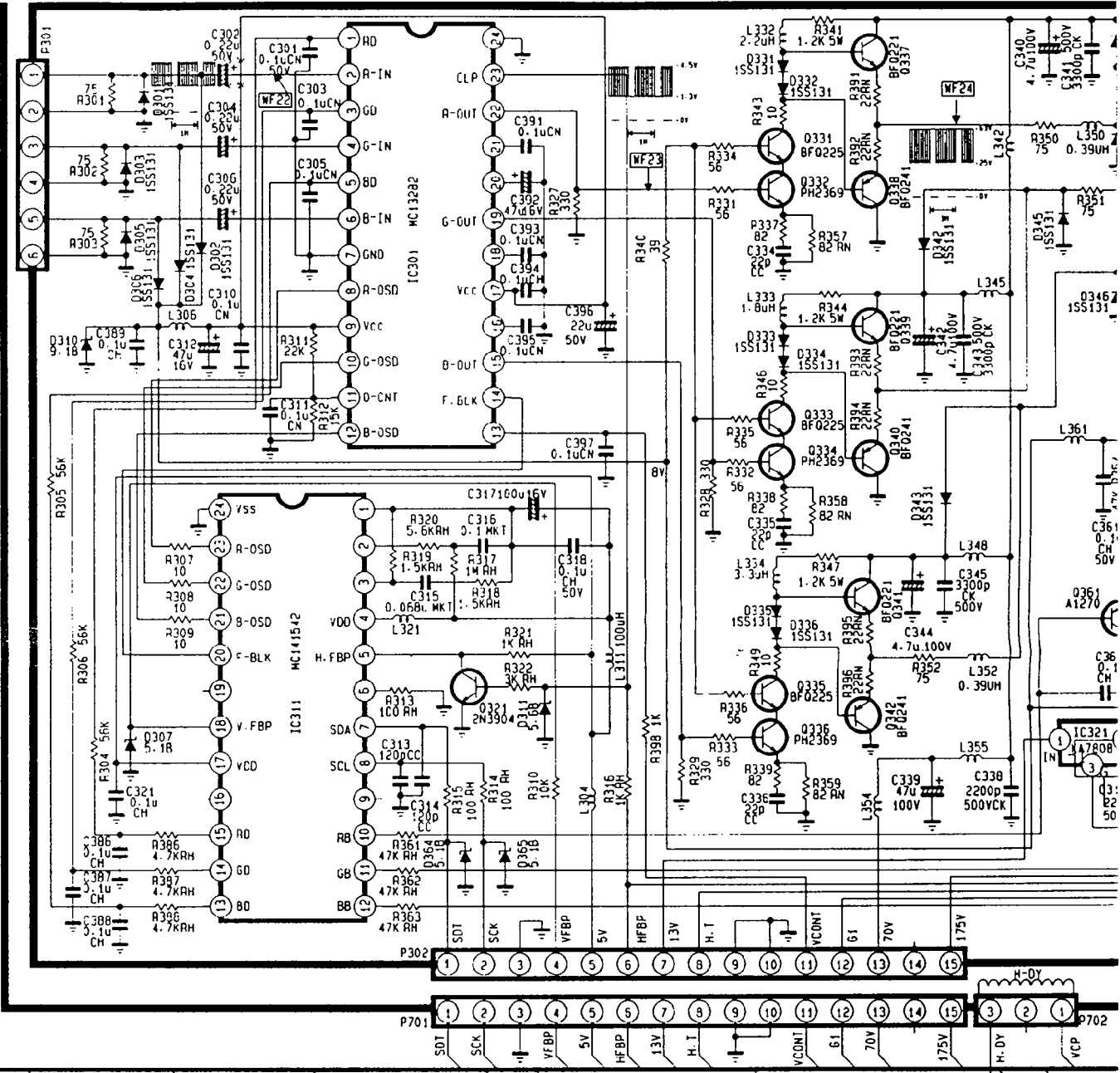
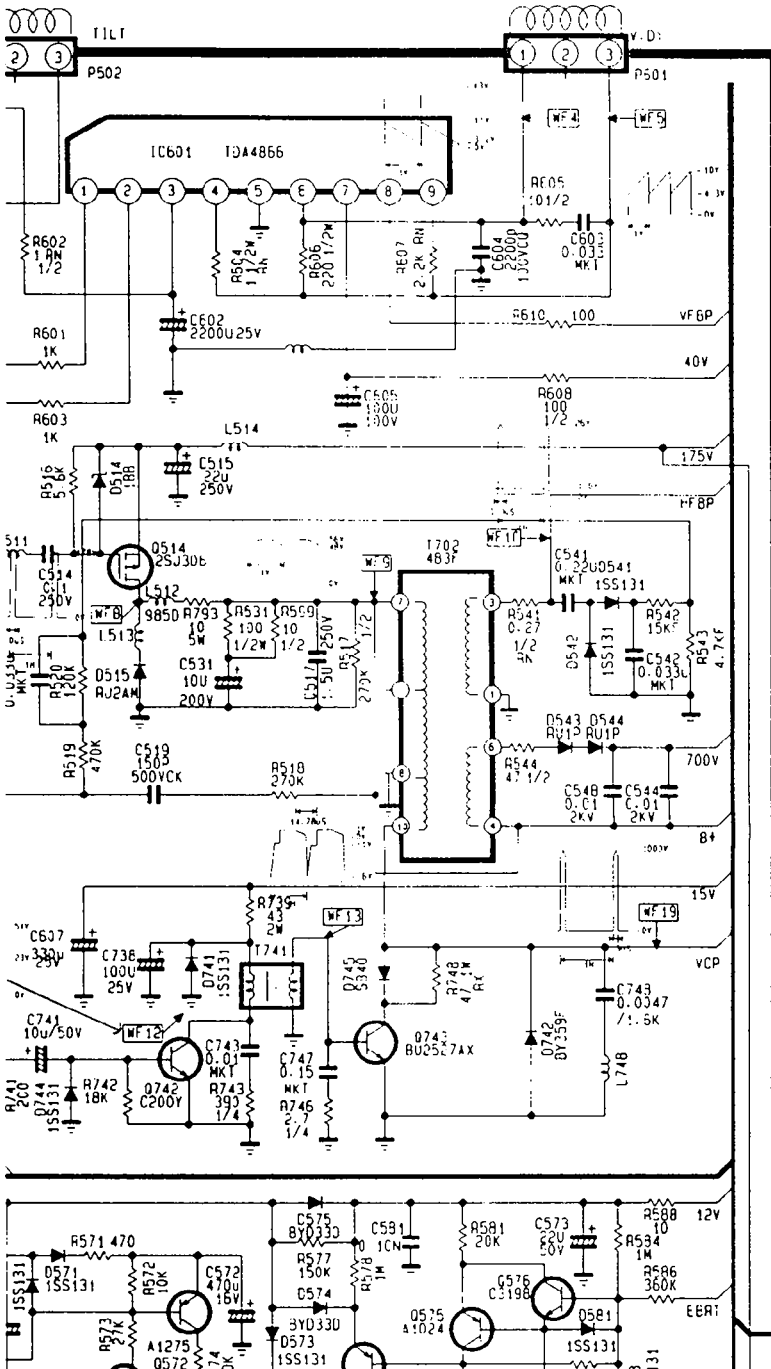


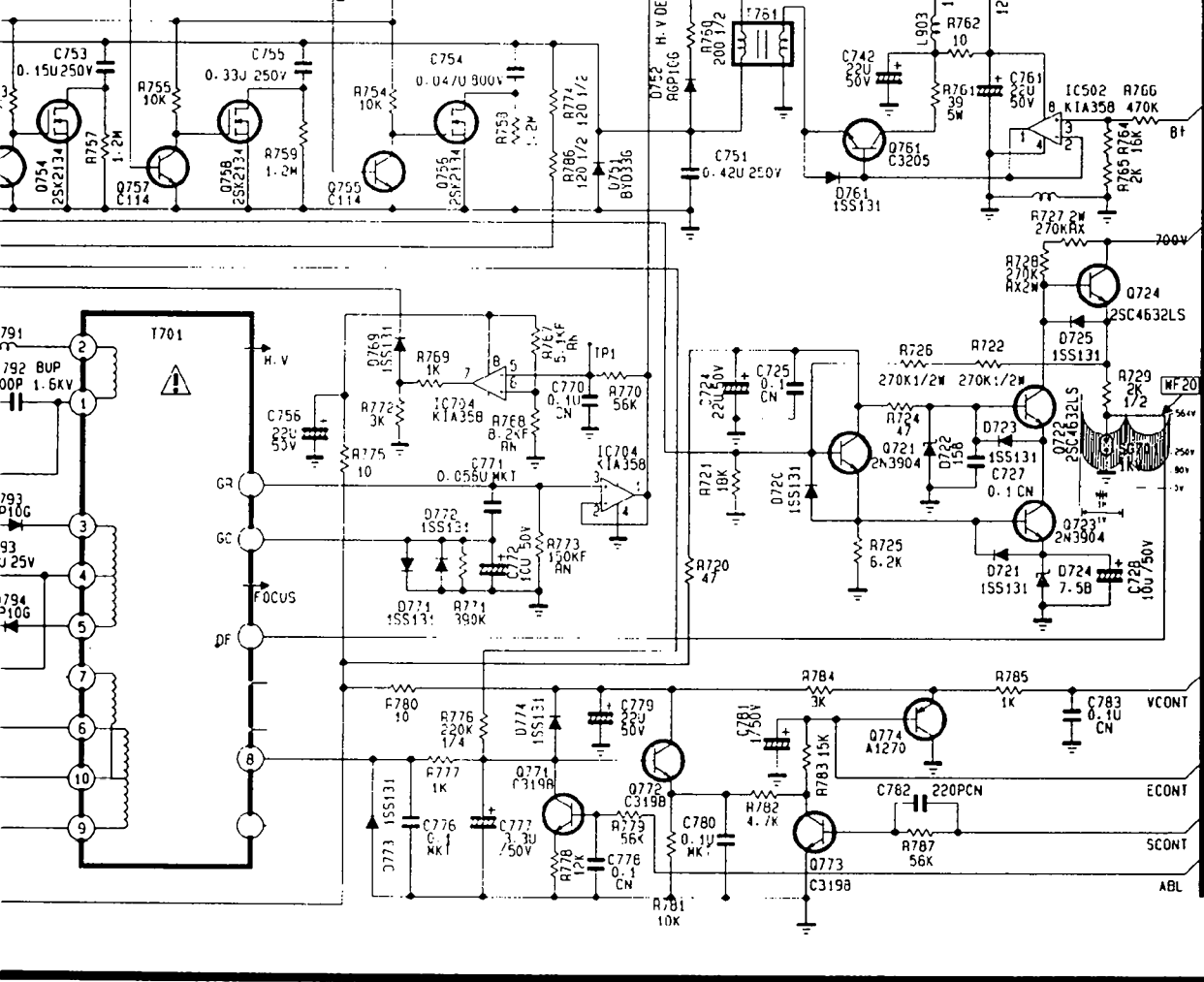
AC-SECRET





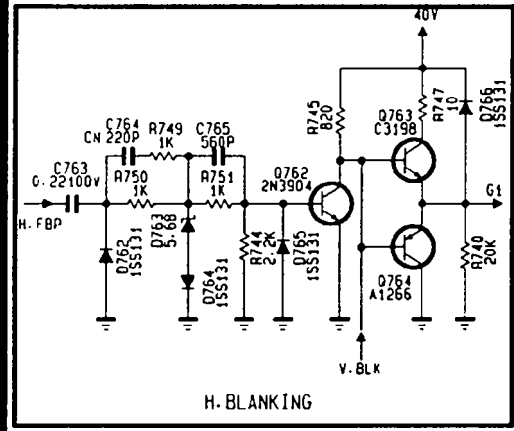
SCHEMATIC DIAGRAM



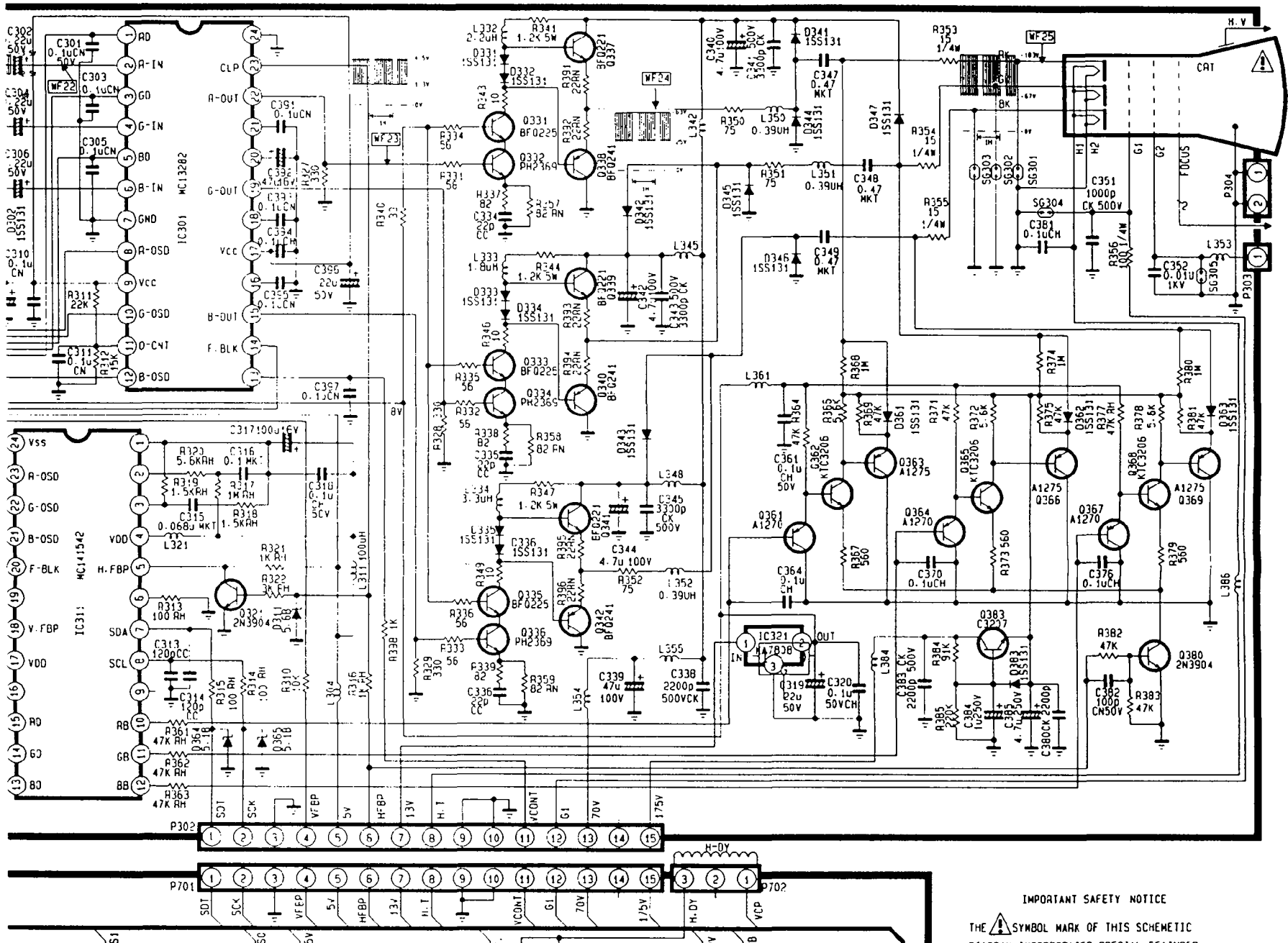


STANDARD INCORPORATES SPECIAL FEATURES
 IMPORTANT FOR PROTECTION FROM X-RADIATION.
 FIRE AND ELECTRICAL SHOCK HAZARDS. WHEN
 SERVICING IT IS ESSENTIAL THAT ONLY
 MANUFACTURERS SPECIFIED PARTS BE USED FOR
 THE CRITICAL COMPONENTS IN THE ⚠ SYMBOL
 MARK OF THE SCHEMATIC.

	DPMS	OPMF	WAT1
NORMAL	H	L	NORMAL
SJSPAND STAND-BY	L	L HEATER ON	15W ↓
OFF	L	H HEATER OFF	5W ↓



97.09.29



IMPORTANT SAFETY NOTICE

THE  SYMBOL MARK OF THIS SCHEMATIC DIAGRAM INDICATES SPECIAL FEATURES