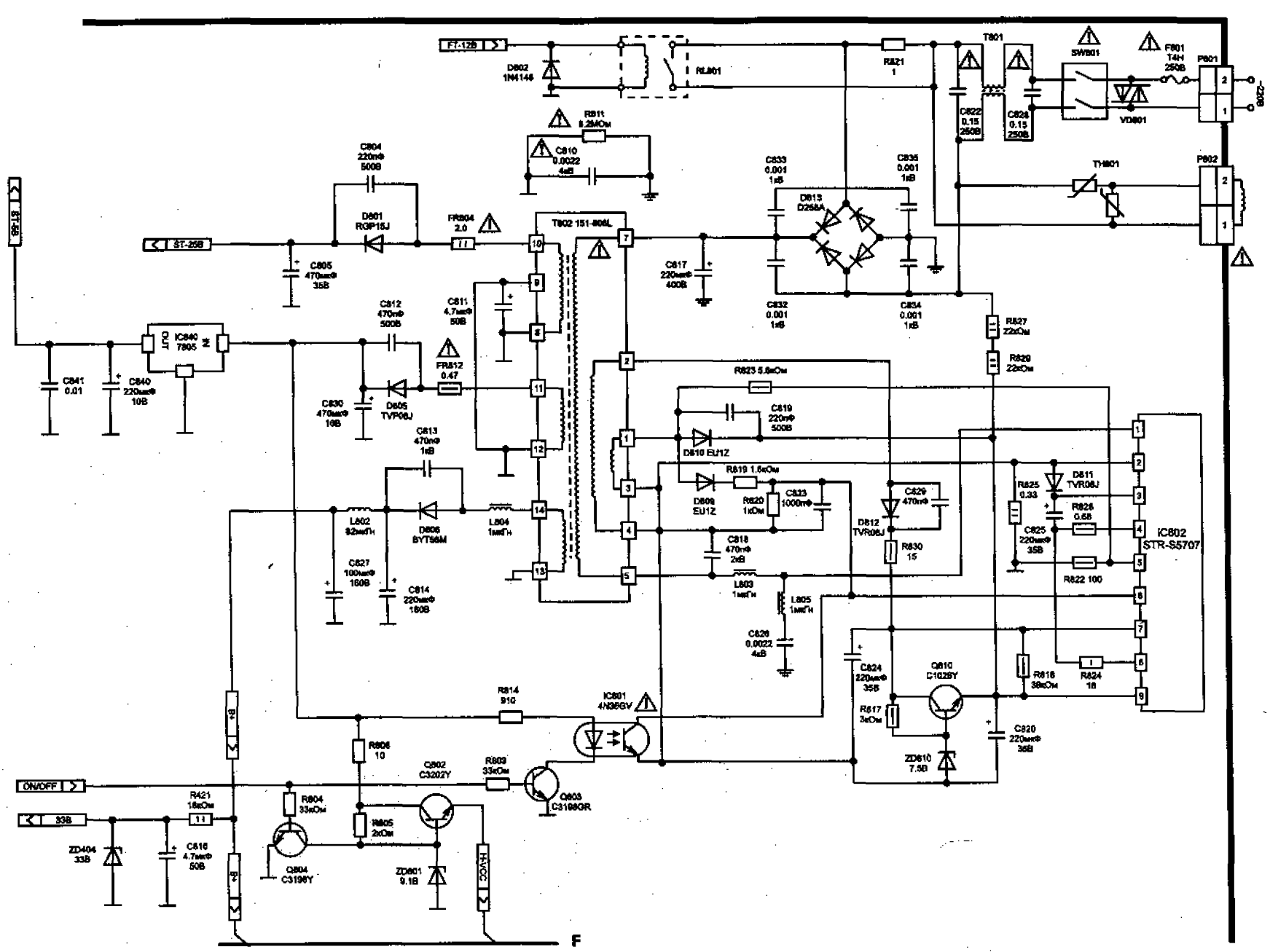
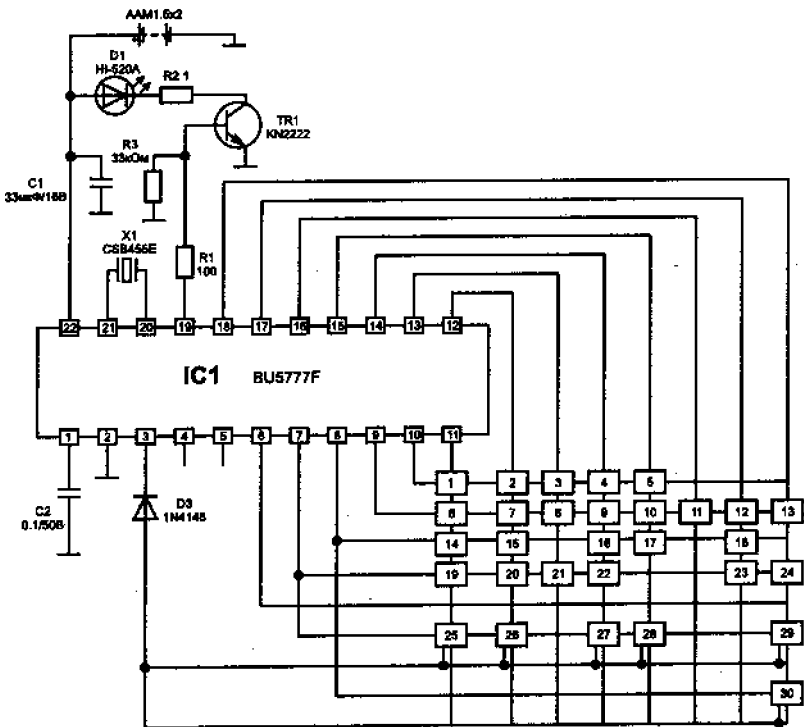


180V	GND	HT	P302
1	2	3	4





	ФУНКЦИЯ
1	8
2	9
3	Q.VIEW
4	RECALL
5	↕
6	0
7	1
8	2
9	3
10	4
11	5
12	6
13	7
14	POWER
15	MUTE
16	TV/AV
17	PICTURE
18	SLEEP
19	CH+
20	CH-
21	VOL+
22	VOL-
23	ENTER
24	ENTER
25	ENTER
26	ENTER
27	SET-UP
28	ENTER
29	SMC
30	PSM