

- 12B
- ENABLE
- DATA
- CLOCK
- LOCK
- AMUTE
- IF12B
- KP12B
- AVCC
- AGND
- TVNEXT
- ALMO
- 60 / 60
- 60
- F.BLK
- R.IN
- G.IN
- B.IN
- ACL
- S.OUT
- G.OUT
- R.OUT
- VTRIG
- HPULSE
- RVTP
- SC
- SDA
- N3.BB
- 4.S
- AFC
- HWT.PRT
- PW
- MTB10
- B1
- BTGND
- KRAY
- BA0
- 1
- DK

- 12V
- AVCC
- AGND
- AUDIO
- ICP12V
- ICP1V
- ENABLE
- DATA
- CLOCK
- LOOK

50/60

A-MUTE

- F.BLK
- R-IN
- G-IN
- B-IN

- B-OUT
- G-OUT
- R-OUT

- B/G
- DK
- ACL
- V.TB/G
- HP/LBE
- HVT-P
- SCL
- SCA
- S.BB
- 4.5
- TVEXT
- AFC

- HVTPRT
- PW
- STB11V
- B1
- B1GND
- XRAY

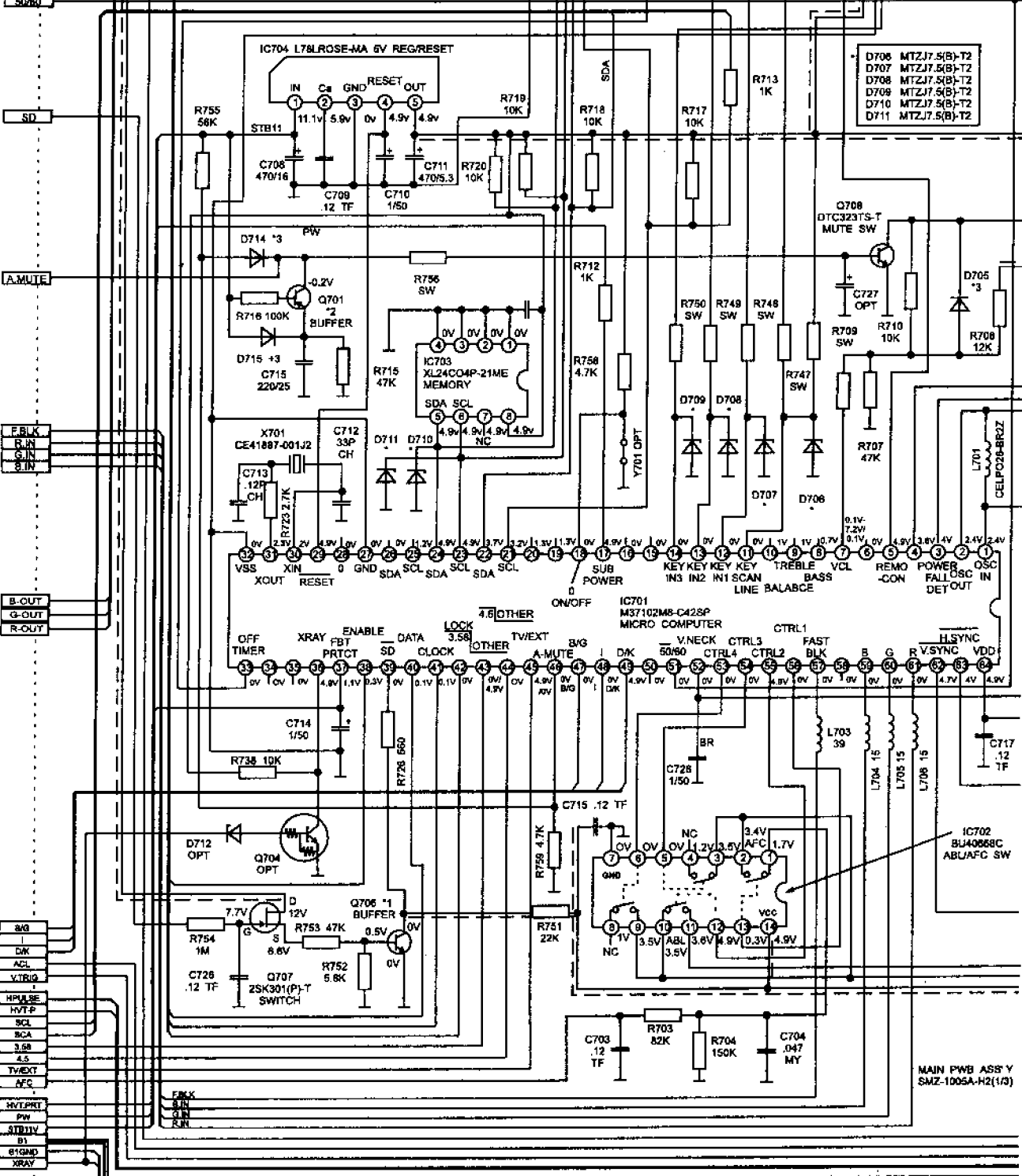
**NOTE**

NPN To #1 : 28C1740S(CR)-T  
 PNP To #2 : 28A933A5(CR)-T  
 SI DICOE #3 : 15S133-T2  
 : NON-MOUNT(OPEM)  
 : SAFETY PARTS

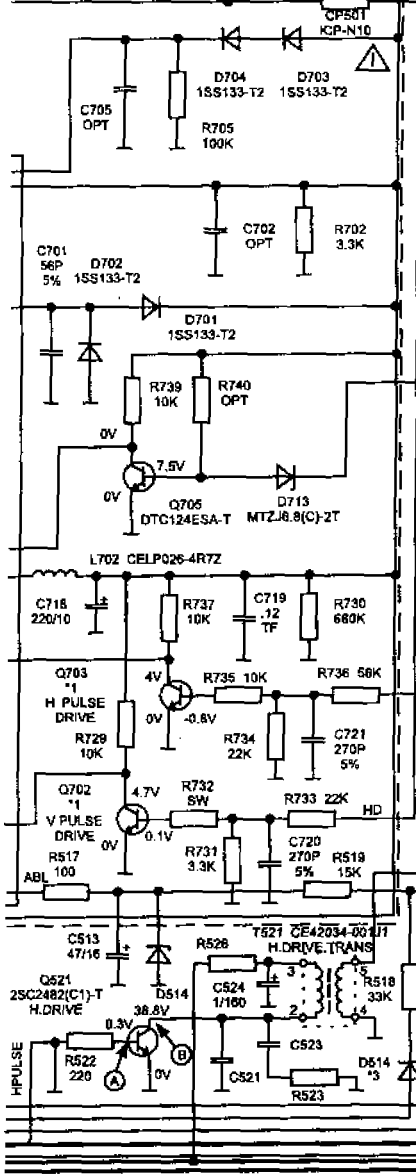
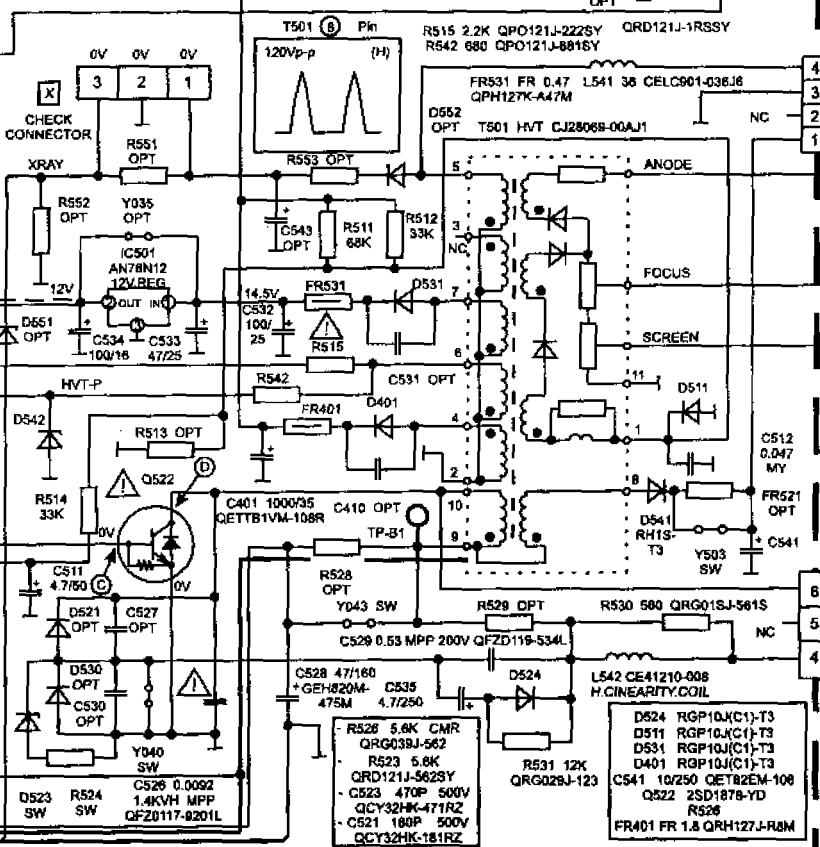
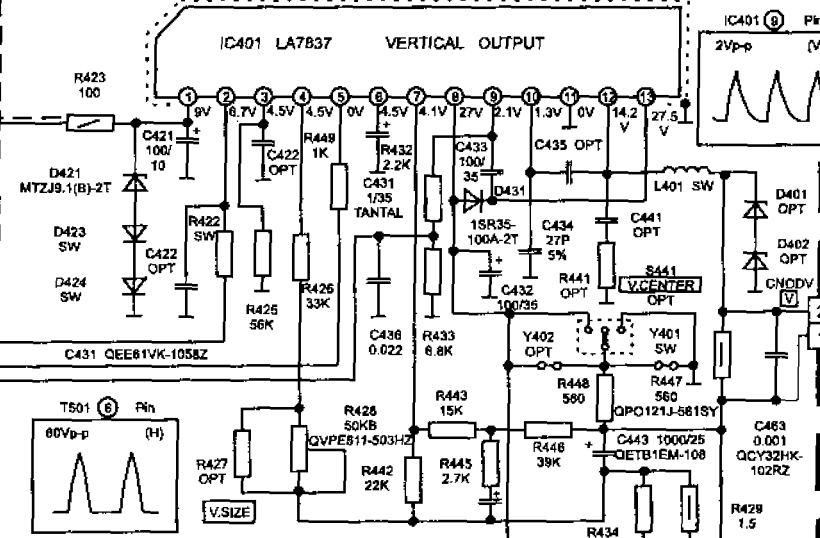
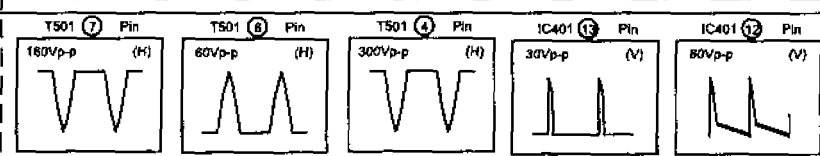
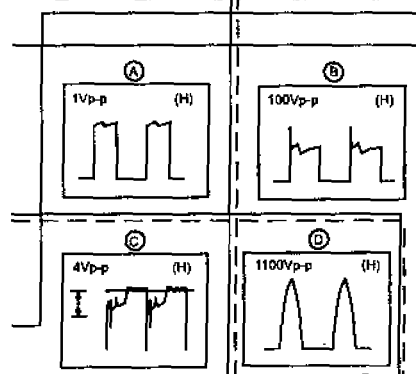
3.4V	1
3.7V	2
4.9V	3
4.9V	4
0V	5
0V	6
0V	7
0V	8

1	0.1V
2	0V
3	0V
4	0V

1	0V
2	4.9V
3	4.9V
4	0V



MAIN PWB ASS'Y  
 SMZ-1005A-H2(1/3)



# CONTROL PWB ASS'Y SMZ-1005A-H2(3/3)

