

U001
GP1U721Q

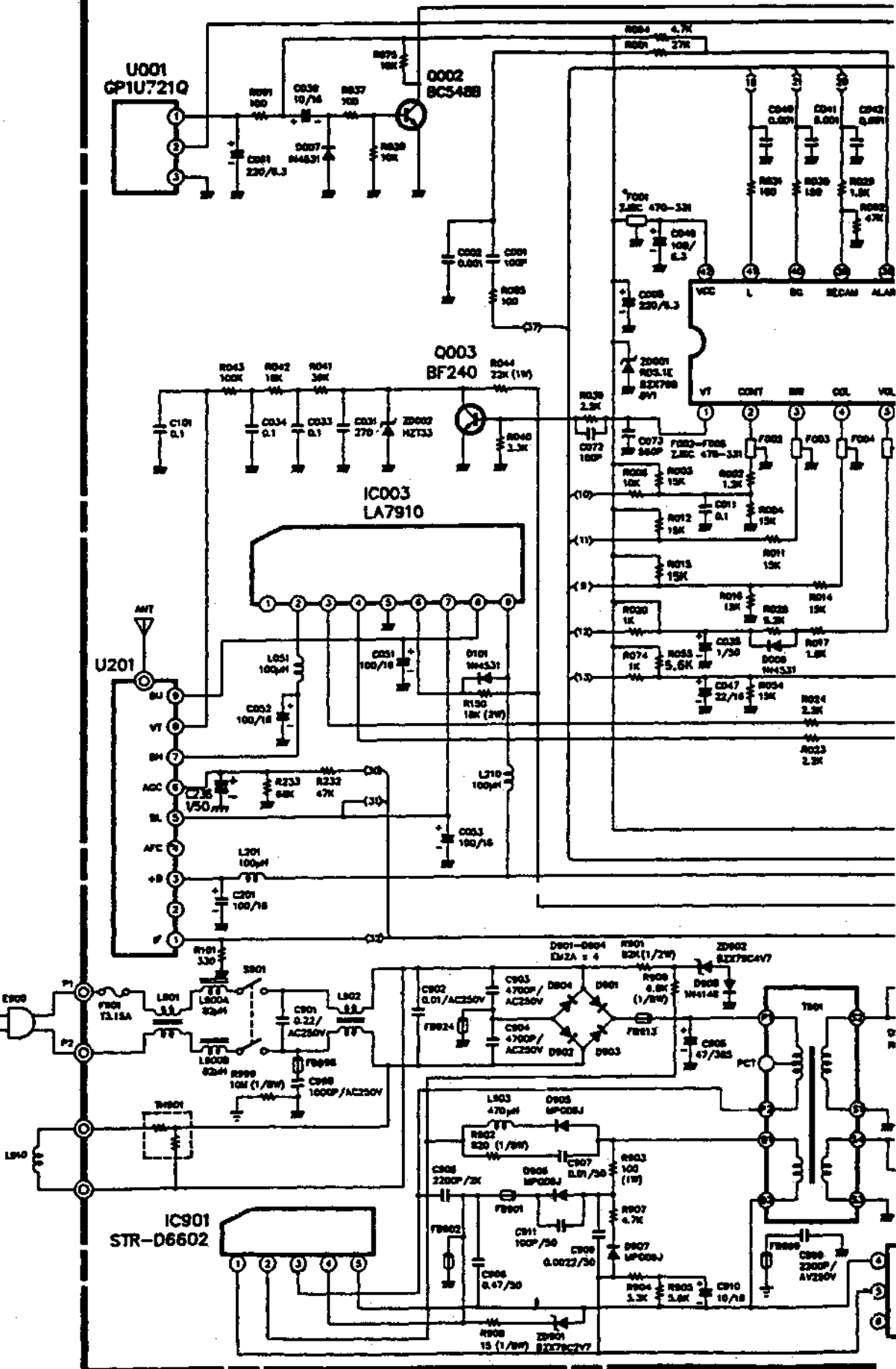
O002
BCS48B

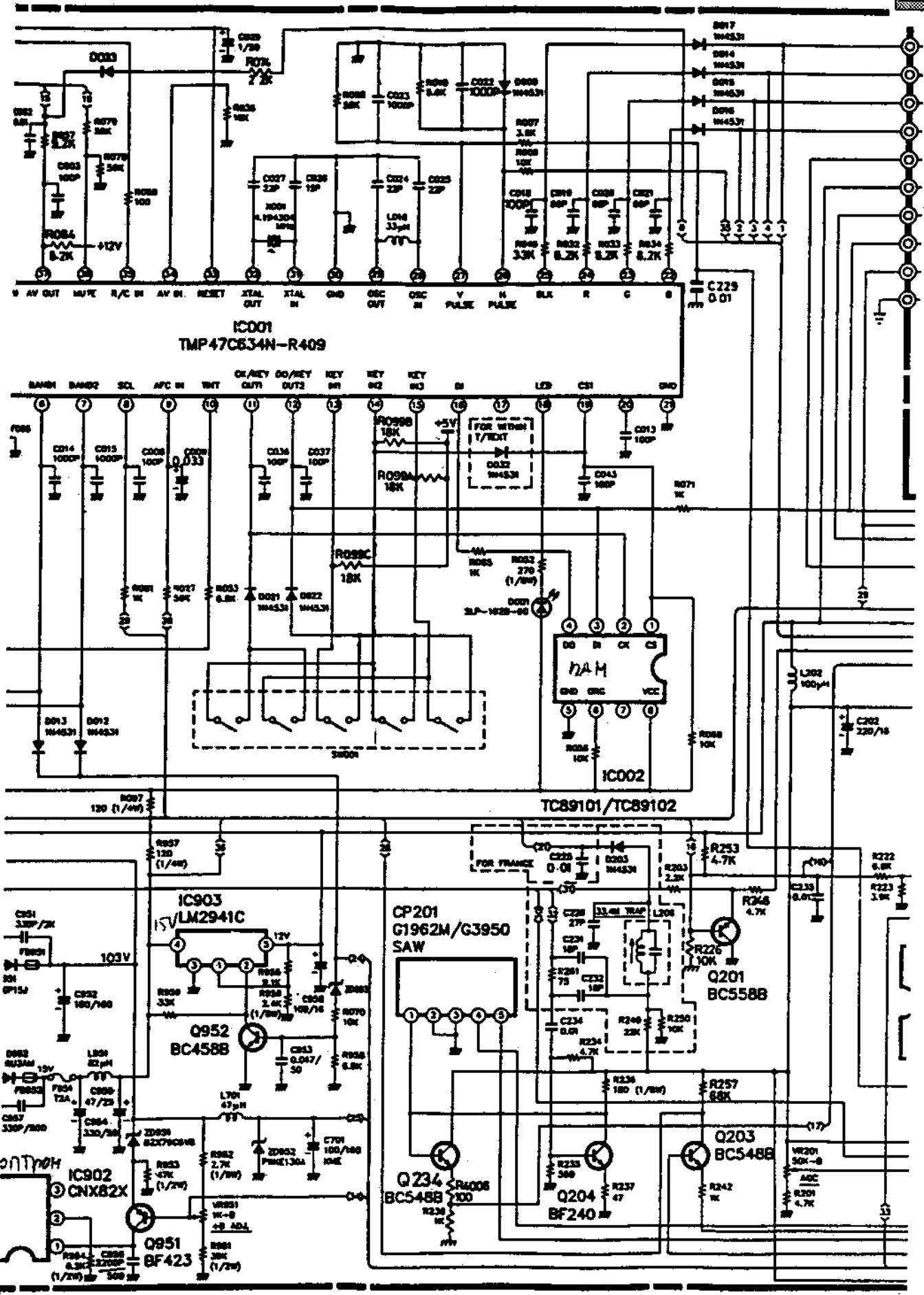
O003
BF240

IC003
LA7910

U201

IC901
STR-D6602





**IC001
TMP47C634N-R409**

**IC002
TC89101/TC89102**

**IC903
LM2941C**

**CP201
G1962M/G3950
SAW**

**Q952
BC4588**

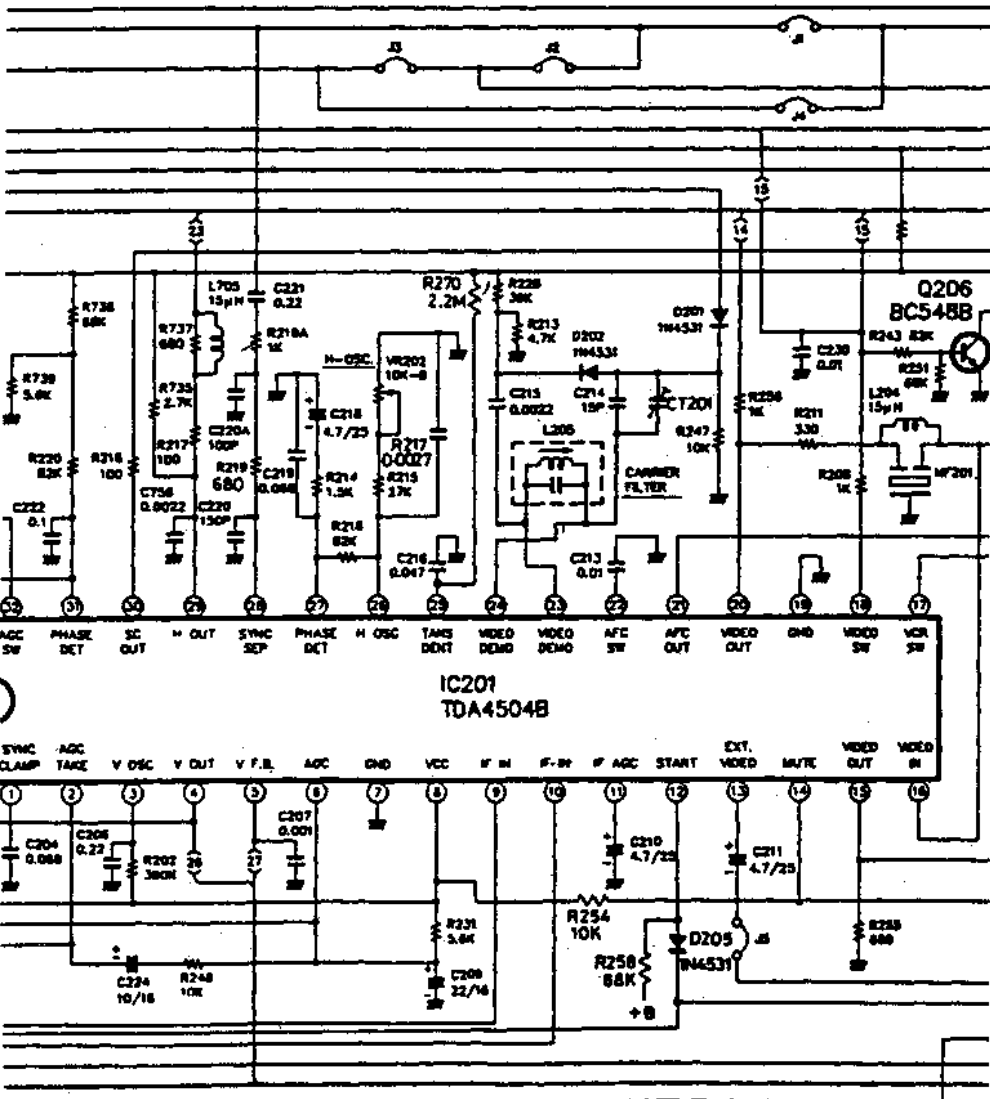
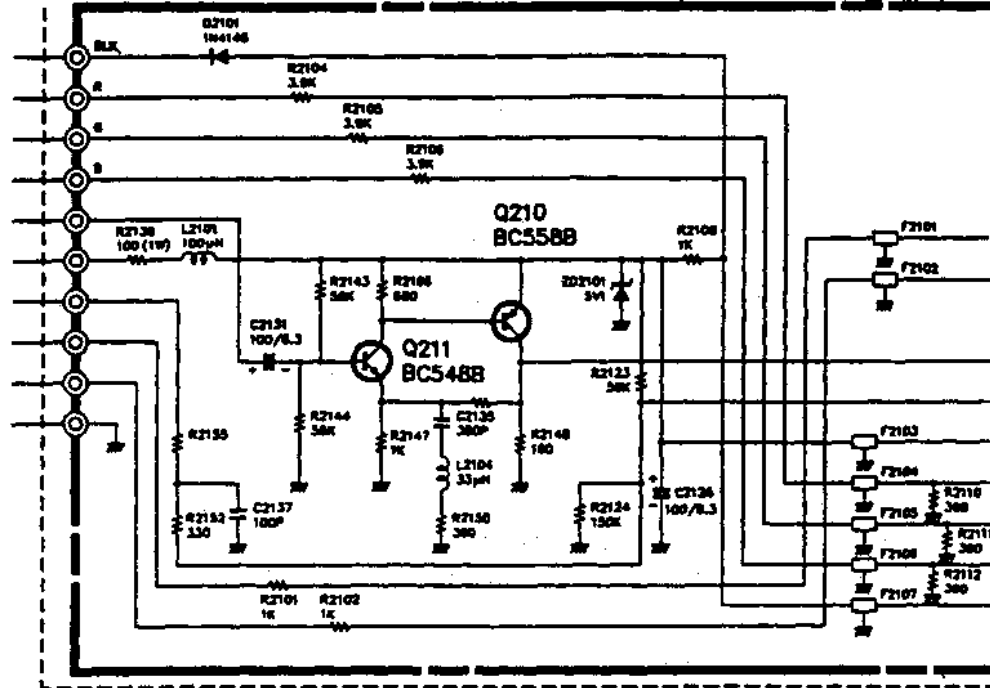
**Q201
BC558B**

**Q951
BF423**

**Q234
BC548B**

**Q203
BC548B**

**Q204
BF240**



FROM V/TEXT

- ADD3
- V/T-DATA
- V/T-CLOCK
- V/T-GEN
- REQD-IN
- SYNC-OUT
- VCC
- A-OUT
- G-OUT
- H-OUT
- BLA

