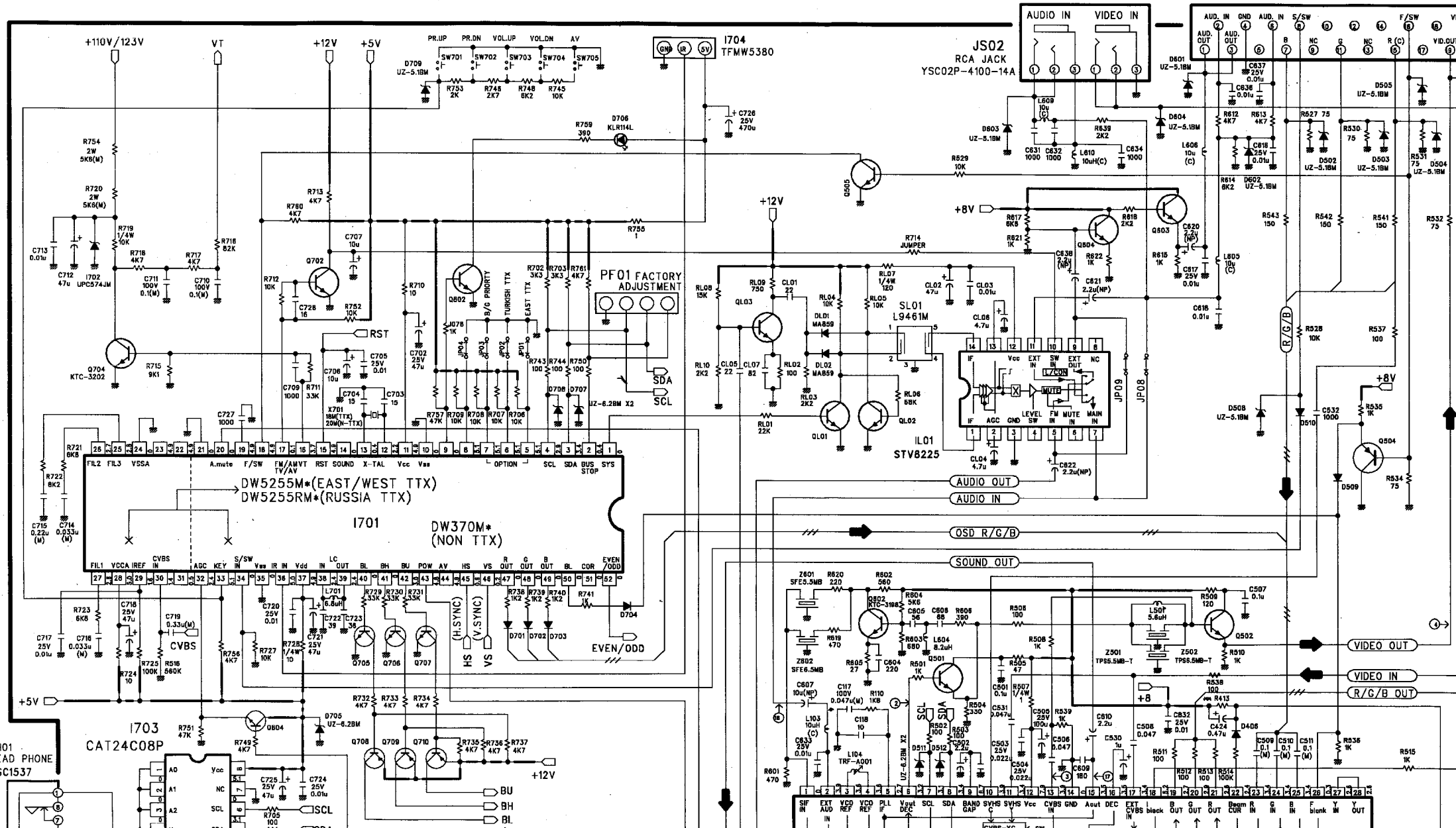
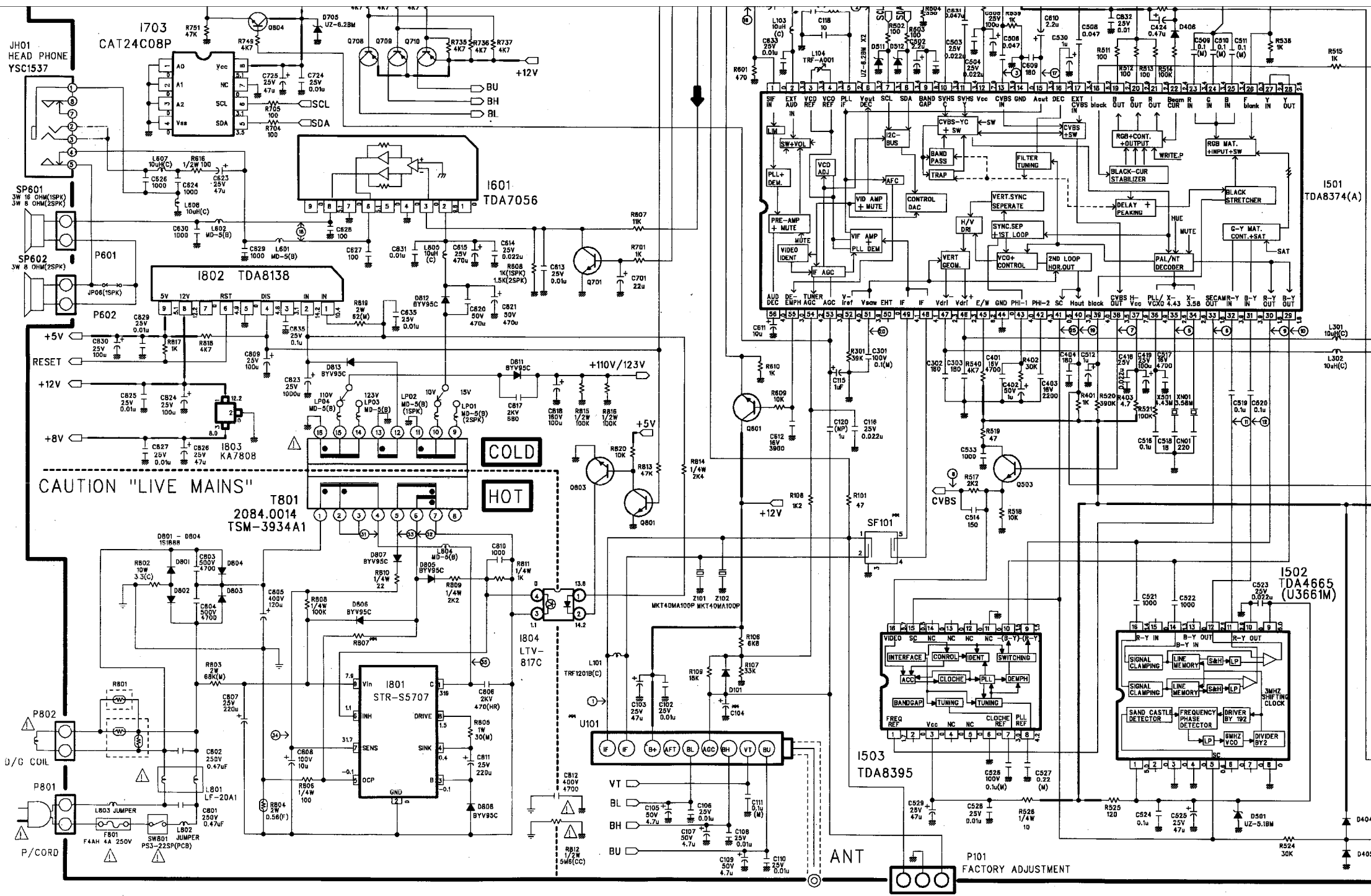


CP-375 CHASSIS SCHEMATIC DIAGRAM

RUN NO.1 6.JAN 1997





SCHEMATIC DIAGRAM

CHASSIS : CP - 375

- * PAL - B/G
 - * PAL/SECAM - B/G, D/K
NTSC - 3.58/4.43 (AV)
 - * PAL/SECAM - B/G
SECAM - L
 - * PAL - I
- RUN NO.1 DEC . 1996

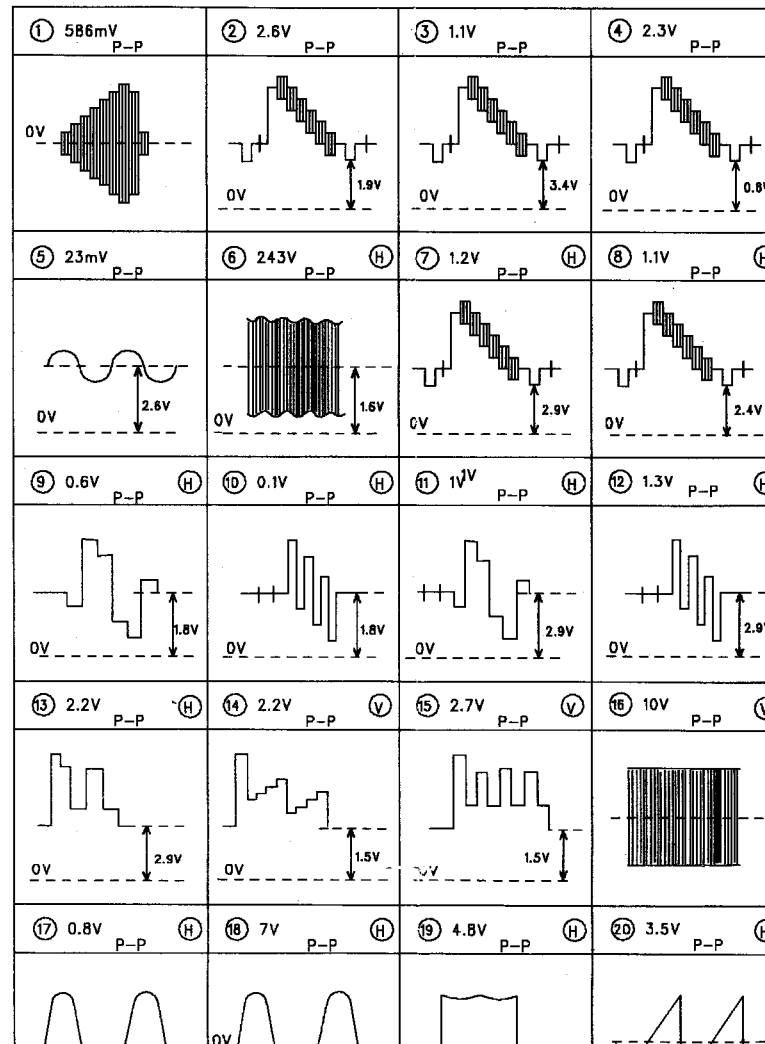
NOTES :

1. ALL RESISTORS ARE 1/6 WATT UNLESS OTHERWISE NOTED.
2. CAPACITANCE VALUES 1 AND ABOVE ARE IN pF EXCEPT AS INDICATED.
3. INDUCTOR VALUES ARE IN μ H EXCEPT AS INDICATED.
4. ALL DIODE ARE 1N4148 EXCEPT AS INDICATED.
5. ALL NPN TRANSISTOR ARE KTC3198Y ALL PNP TRANSISTER ARE KTA1266Y EXCEPT AS INDICATED.

WAVE FORMS

VIDEO : 8 STEP PAL COLOR BAR 87.5% AM

AUDIO : 1KHz SINE WAVE 60% FM



DIFFERENT PARTS

NO	LOC	NAME	P-1 LTF
1	PWC1	POWER CORD	CW42
2	U101	TUNER	3303
3	SF101	SAW FILTER	G196
4	Z501	CERA FILTER	TPS5
5	Z502	CERA FILTER	
6	Z601	CERA FILTER	SFSH
7	Z602	CERA FILTER	
8	I501	IC VCD	TDAB
9	I503	IC SECAM	
10	C801	C LINE ACROSS	250V
11	C802	C LINE ACROSS	250V
12	XN01	X-TAL	
13	CN01	C CERA	
14	Q705	TR	KTC3
15	Q706	TR	KTC3
16	Q708	TR	KTA12
17	Q709	TR	KTA12
18	R729	R C-FILM	33K
19	R730	R C-FILM	33K
20	R732	R C-FILM	4.7K
21	R733	R C-FILM	4.7K
22	R736	R -CFILM	4.7K
23	R737	R C-FILM	4.7K
24	C104	C ELECTRO	50V
25	C105	C ELECTRO	50V
26	C106	C CERA	25V
27	C107	C ELECTRO	50V
28	C108	C CERA	25V
29	Z101	CERA FILTER	
30	Z102	CERA FILTER	
31	IL01	IC AM DEMOD	
32	SL01	SAW FILTER	
33	QL01	TR	

3. INDUCTOR VALUES ARE IN μ H EXCEPT AS INDICATED.

4. ALL DIODE ARE 1N4148 EXCEPT AS INDICATED.

5. ALL NPN TRANSISTOR ARE KTC3198Y ALL PNP TRANSISTER ARE KTA1266Y EXCEPT AS INDICATED.

6. ALL THE DC VOLTAGES IN EACH POINT ARE MEASURED WITH DIGITAL VOLTMETER

UNDER THE STANDARD PAL COLOUR BAR SIGNAL INPUT (5 CHANNEL) AND ALL CONTROLS SET TO THE MAXIMUM POSITION.

AT NOMINAL LINE VOLTAGE AC 230V 50HZ

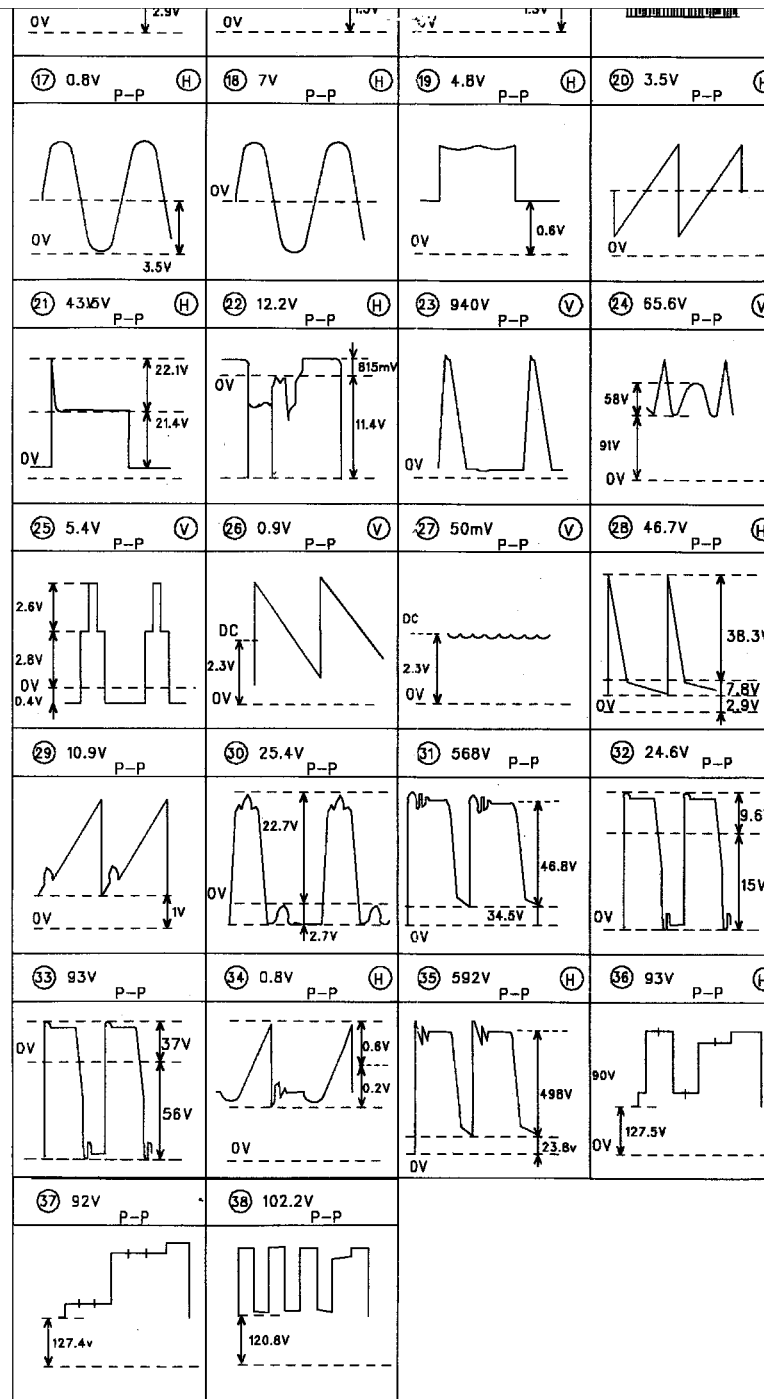
7. SINCE THIS SCHEMATIC DIAGRAM IS A STANDARD ONE THE CIRCUIT AND CIRCUIT CONSTANTS MAY BE SUBJECT TO CHANGE FOR IMPROVEMENT WITHOUT ANY NOTICE.

SAFETY CAUTION :

BEFORE SERVICING THIS CHASSIS IT IS IMPORTANT THAT THE SERVICE TECHNICIAN READ AND FOLLOW THE "X-RAY RADIATION PRECAUTION. "SAFETY PRECAUTIONS" AND "PRODUCT SAFETY NOTICE" IN THE SERVICE MANUAL.

PRODUCT SAFETY NOTE :

COMPONENTS MARKED WITH \triangle ARE IMPORTANT FOR MAINTAINING THE SAFETY OF THE SET AND SHOULD BE REPLACED ONLY WITH TYPES IDENTICAL TO THOSE IN THE ORIGINAL OR SPECIFIED ONE IN THE PARTS LIST.
DON'T DEGRADE THE SAFETY OF THE SET THROUGH IMPROPER SERVICING.



28	C108	C CERA	25V 0.0
29	Z101	CERA FILTER	-
30	Z102	CERA FILTER	-
31	IL01	IC AM DEMOD	-
32	SL01	SAW FILTER	-
33	QL01	TR	-
34	QL02	TR	-
35	QL03	TR	-
36	Q702	TR	-
37	DL01	DIODE	-
38	DL02	DIODE	-
39	RL01	R C-FILM	-
40	RL02	R C-FILM	-
41	RL03	R C-FILM	-
42	RL04	R C-FILM	-
43	RL05	R C-FILM	-
44	RL06	R C-FILM	-
45	RL07	R C-FILM	-
46	RL08	R C-FILM	-
47	RL09	R C-FILM	-
48	RL10	R C-FILM	-
49	R101	R C-FILM	-
50	R712	R C-FILM	-
51	R713	R C-FILM	-
52	R752	R C-FILM	-
53	CL01	C CERA	-
54	CL02	C EECTRO	-
55	CL03	C CERA	-
56	CL04	C ELECTRO	-
57	CL05	C CERA	-
58	CL06	C ELECTRO	-
59	CL07	C CERA	-
60	C707	C ELECTRO	-
61	C728	C CERA	-
62	JP01	WIRE COPPER	-
63	JP08	WIRE COPPER	WIRE CO
64	JP09	WIRE COPPER	WIRE CO
65	M721	SHIELD CASE	SPTH-C