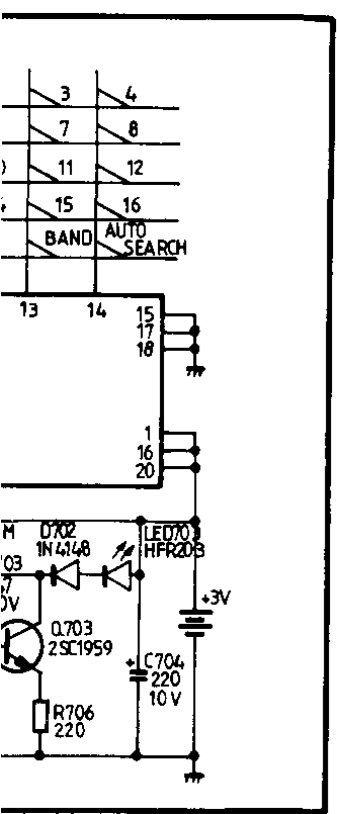


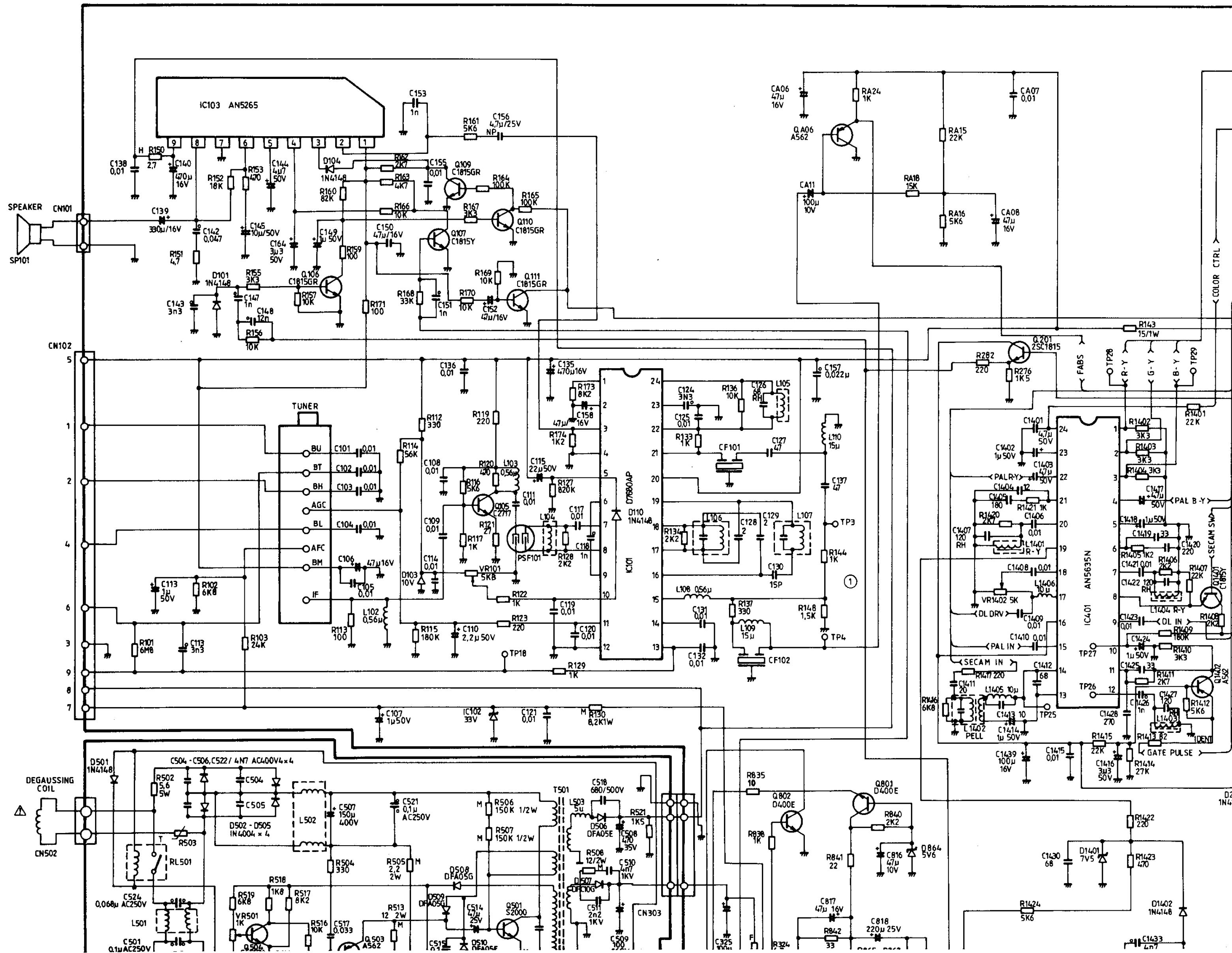
- 1 The schematic diagram is characteristic. The various values in the electric circuits are basic data, which are changeable according to the various basic circuits.
- 2 Testing waves are obtained by inputting the standard coloured bar of the signed.
- 3 Resistance unit is in Ohm, namely:
K=1000 M=1000K
Capacitance unit is in μF .
P= μF ($\mu=10^{-6}$)
4. All resistors are 1/4W unless otherwise noted inside.
All capacitors are 50 WV.
5. Inductance unit is in μH .
- 6 The mark $\text{---}\text{---}$ in the diagram means Ferrite ring.
7. Some circuits which element number begin with „8” (Q802, R836 etc.) are used only in Remote Controlled set. For manual-control set, the ARC line with arrow must be connected to E5 by the Jumper Line in order to control volume by potentiometer.
8. The symbols of various types of resistors and capacitors are listed as follows:

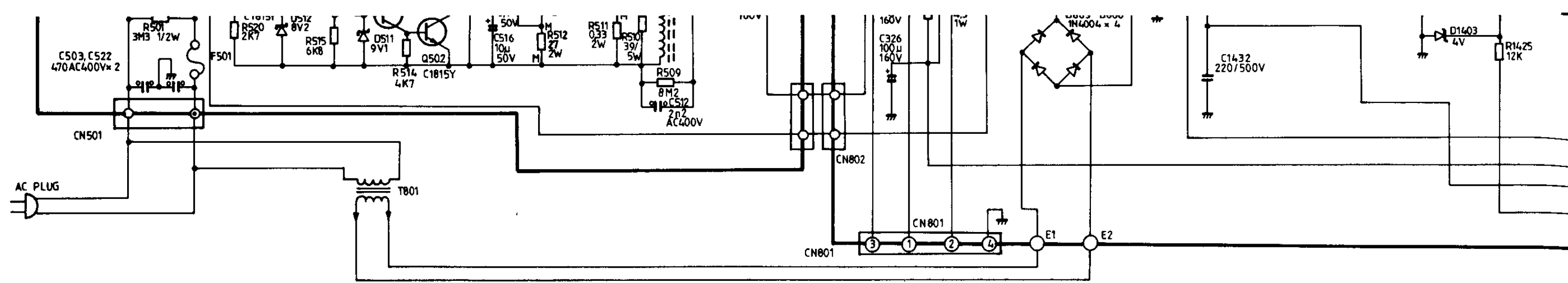
Carbon Film		Ceramic	
Metal Film		AC Ceramic	
Fusible		Polyester	
Non-Inflammable		Polypropylene	
Thermistor		Metal Polyester	
Potentiometer		Aluminium	
		Tantalum	
		Trimmer	

R BOARD

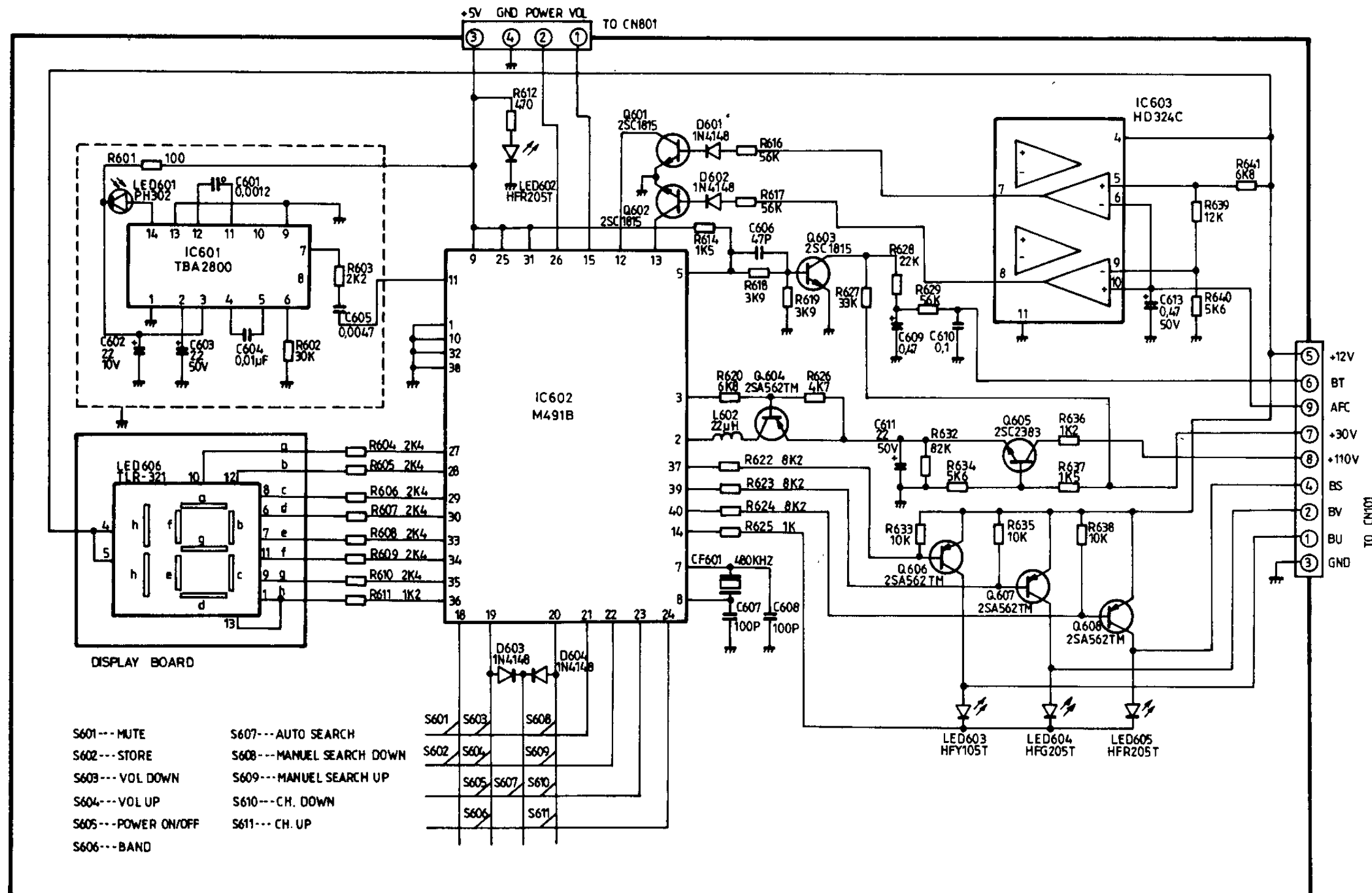


chassis: XT-5125P/
S (D/K)

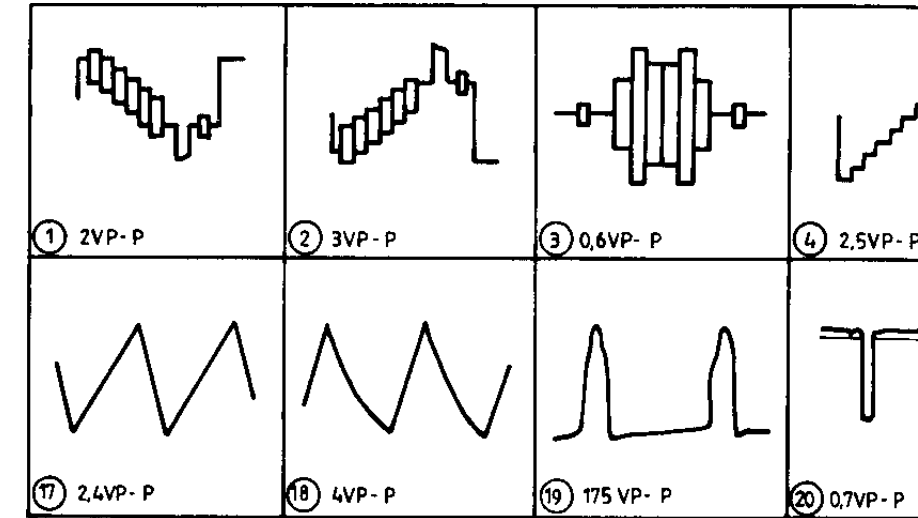




CONTROL BOARD



- S601---MUTE
- S602---STORE
- S603---VOL DOWN
- S604---VOL UP
- S605---POWER ON/OFF
- S606---BAND
- S607---AUTO SEARCH
- S608---MANUEL SEARCH DOWN
- S609---MANUEL SEARCH UP
- S610---CH. DOWN
- S611---CH. UP



REMOTE CONTROL TRANSMIT

