

REMARK:

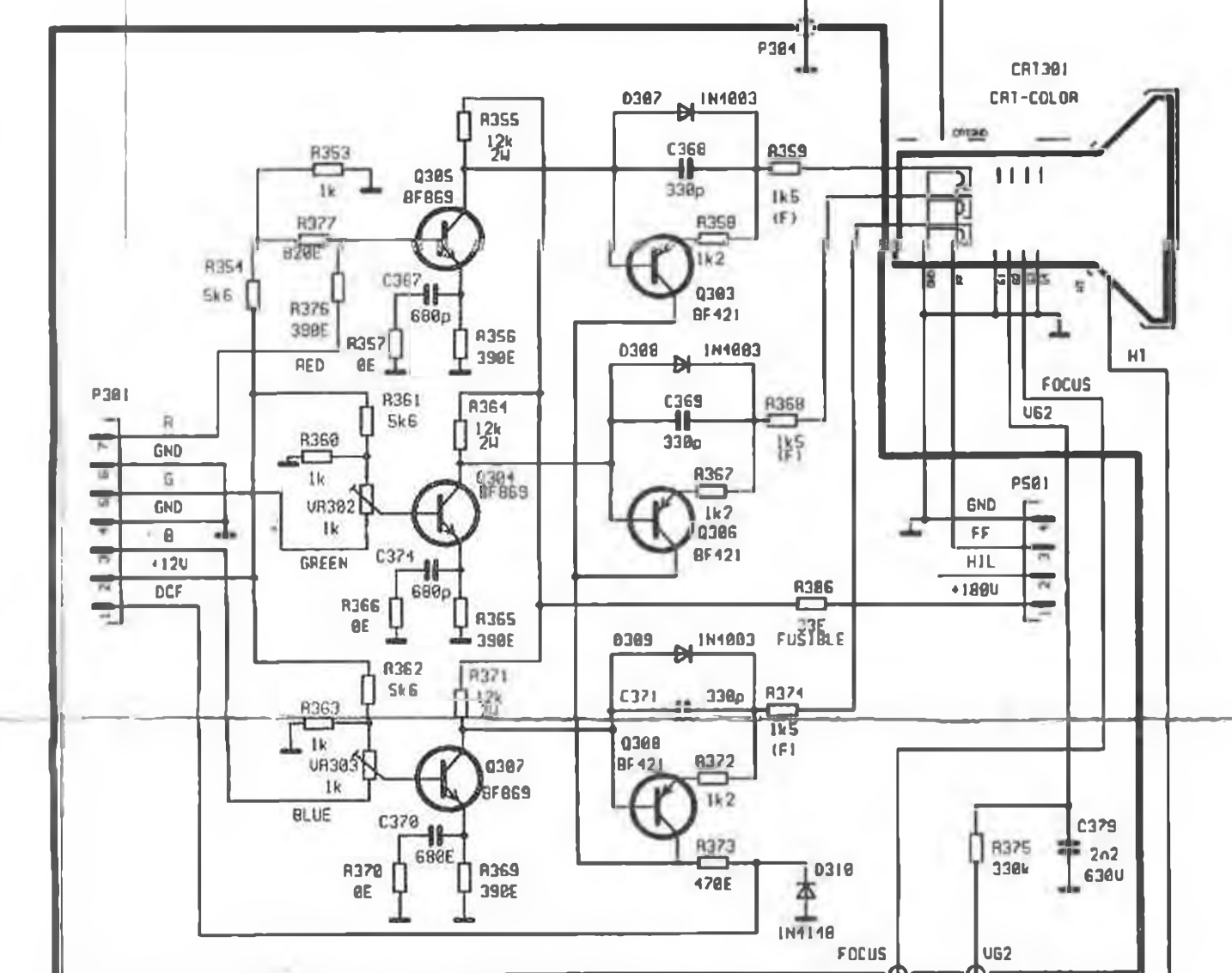
CONTROL RANGE TABLE

	MIN.	MAX.	CENTER
CONT.	2.8U	4.0U	.
BRI.	0.9U	2.4U	.
SAT	2.1U	3.3U	.
HUE	1.5U	3.9U	2.8U

	R0	R1	A2
PCF8581	7b	8a	9b
PCF8582	7a	8b	9b

SCHEMATIC NOTES:

1. RESISTANCE IS SHOWN IN OHMS $R=1.000$
 $M=1.000.000$
2. CAPACITANCE IS SHOWN IN μF $n=F$ $p=P$
T TANTALUM CAPACITOR
M FILM CAPACITOR
3. — STANDARD FILM RESISTOR (SFR25)
4. VOLTAGE READ WITH DIGITAL VOLTMETER FROM POINT INDICATED TO CHASSIS GROUND USING A NORMAL PICTURE
5. VOLTAGE READINGS SHOWN ARE NORMAL VALUES AND MAY VARY $\pm 20\%$ (EXCEPT H.U.)
6. SCHEMATIC SUBJECT TO CHANGE WITHOUT NOTICE



AXXION

SCHEMAT IDEOWY OTVC 20", 21"

RC4020, RC4120, RC4021