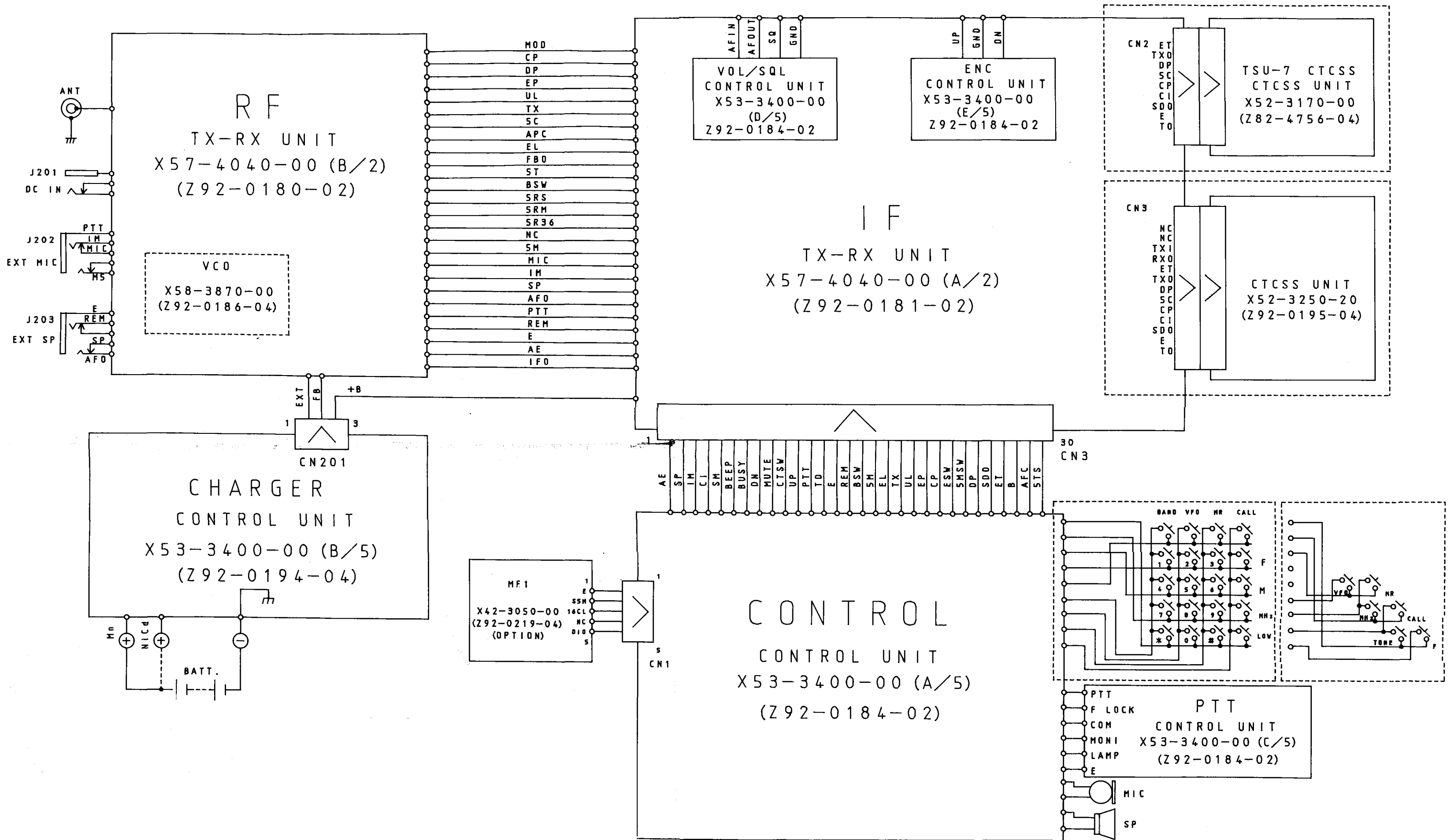
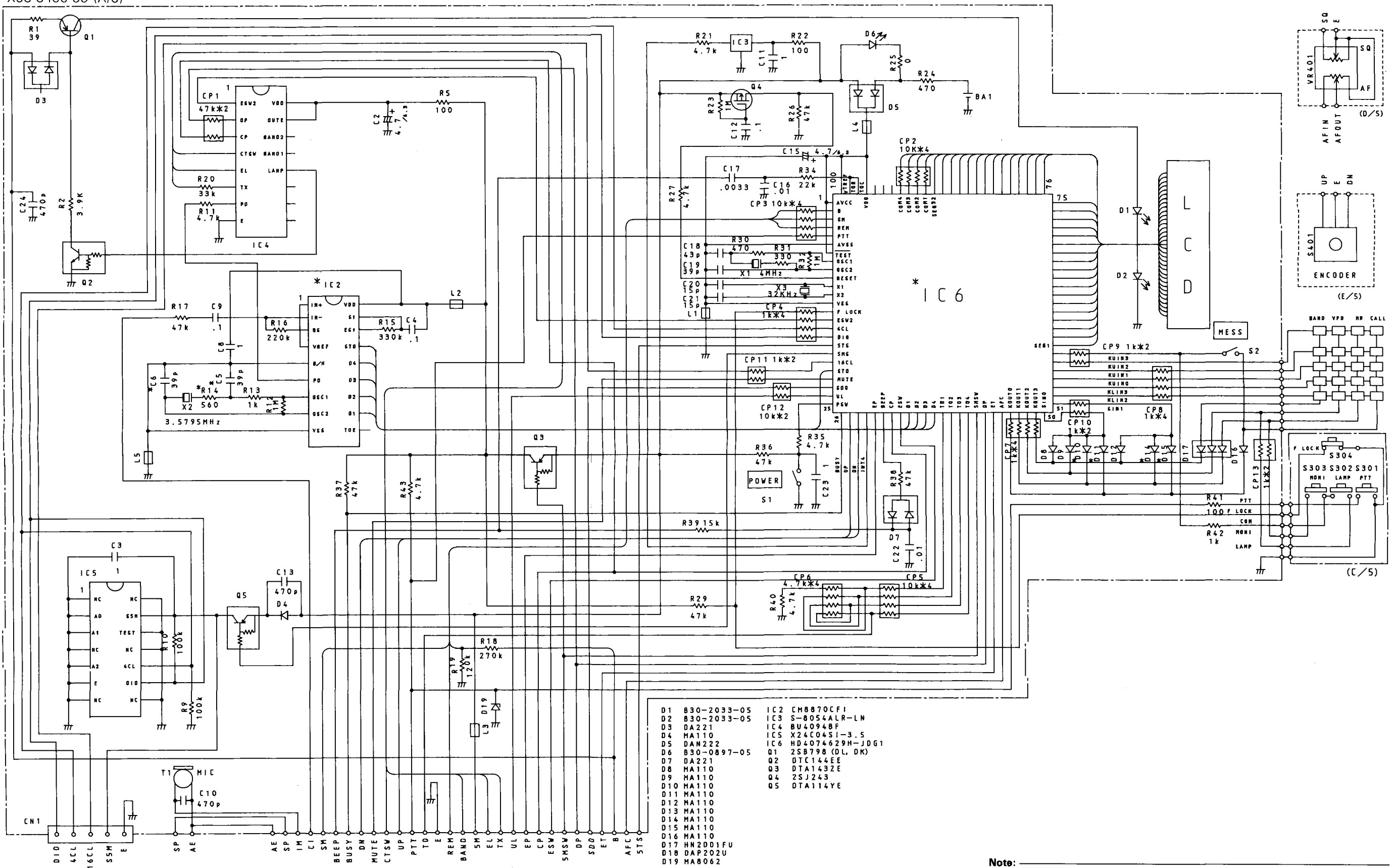
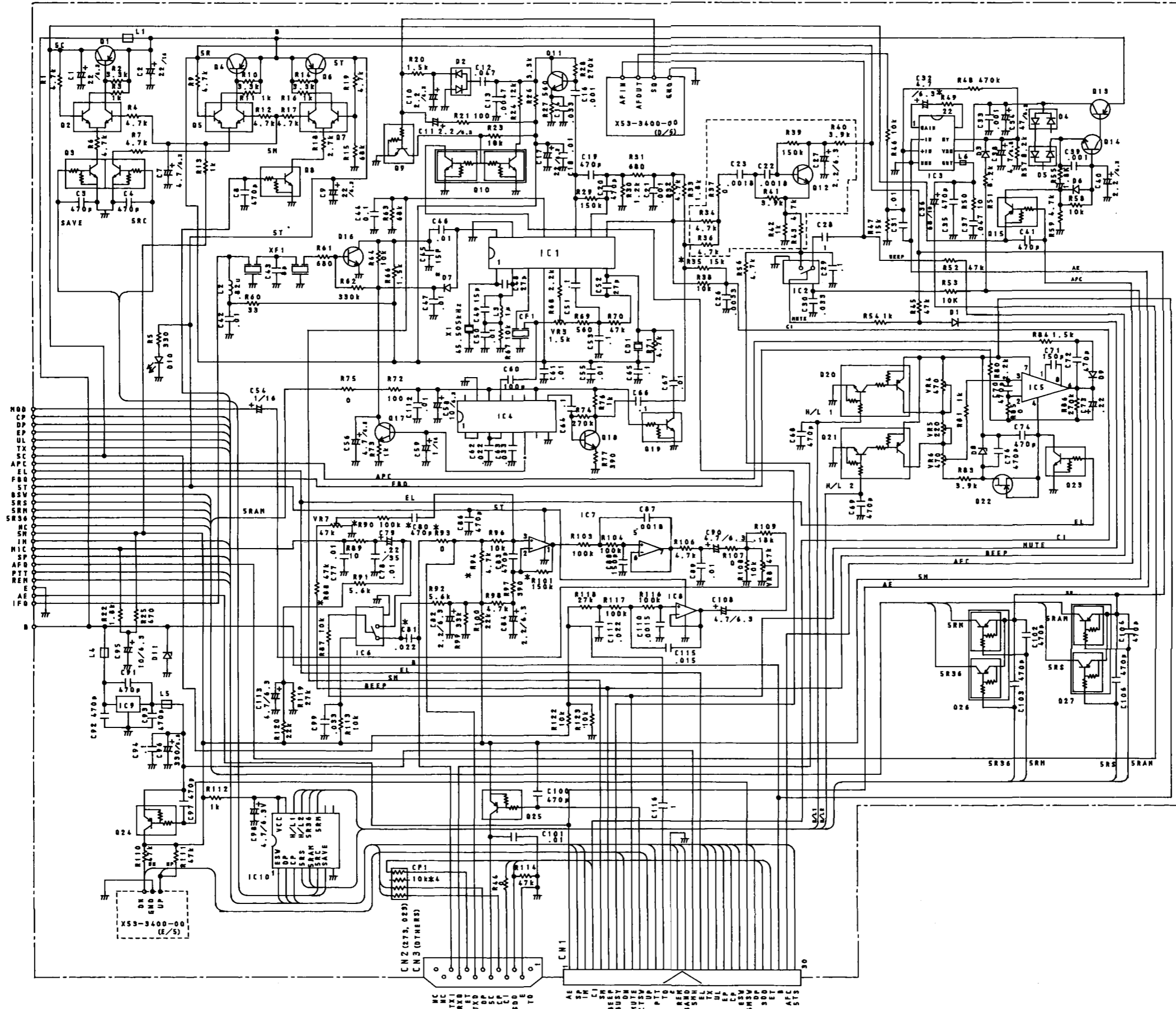


TH-28A/E SCHEMATIC DIAGRAM

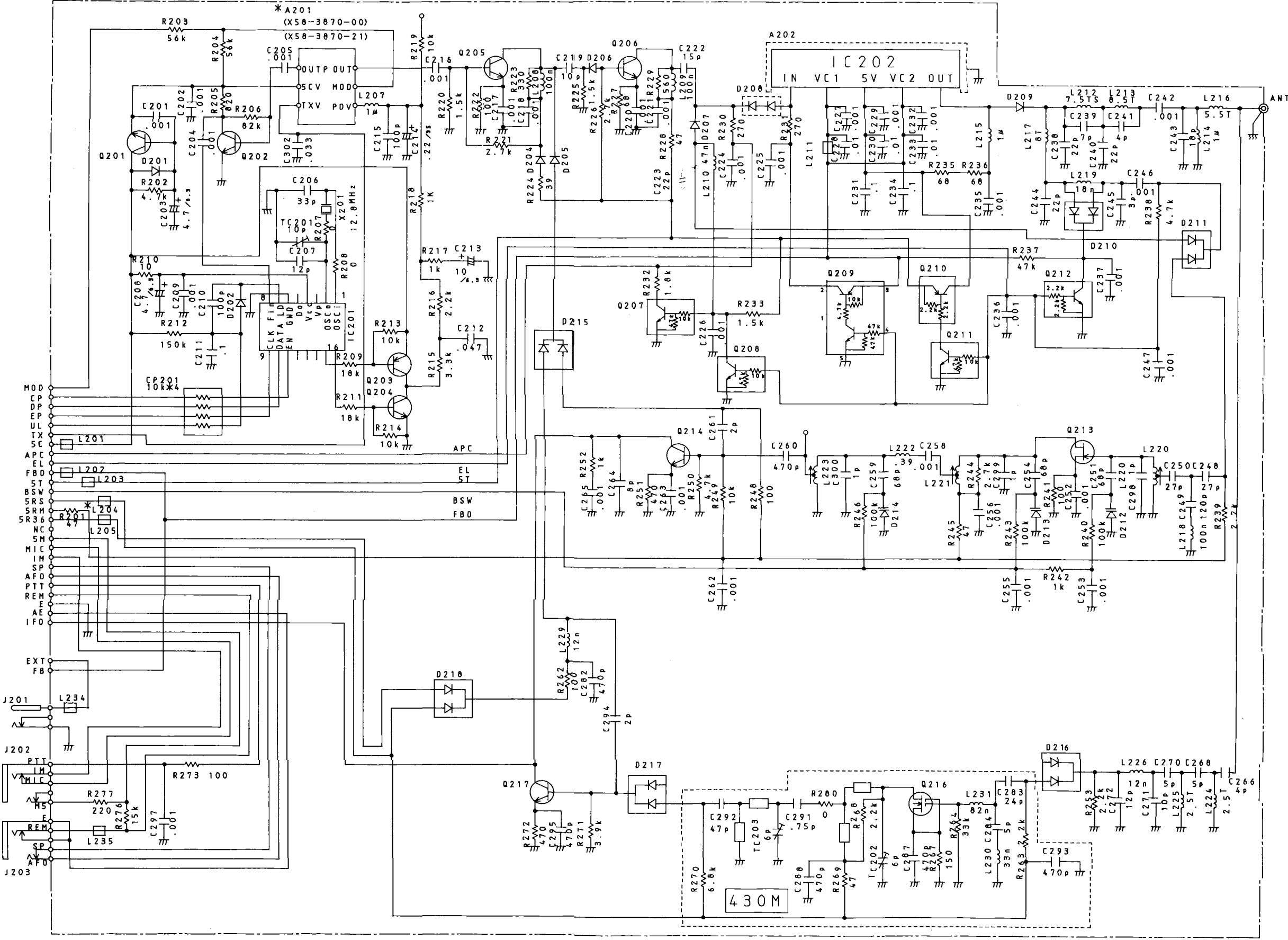




Note:
Circuit is subject to change without notice due to advancements in technology.



- | | | | |
|-----|-------------|------|------------|
| 01 | NA110 | IC1 | MC9372D |
| 02 | NA742 | IC2 | TC4566F |
| 03 | DAN222 | IC3 | NJH866E |
| 04 | DA221 | IC4 | TA7787AF |
| 05 | DA221 | IC5 | LN301AD |
| 06 | NA110 | IC6 | TC4566F |
| 07 | NA728 | IC7 | NJH4500E |
| 08 | HA8039 | IC8 | TA75501F |
| 09 | DAN222 | IC9 | SC17710YBS |
| 010 | B30-2036-05 | IC10 | BU4094BF |
| 011 | RD22P | | |
-
- | | |
|-----|-----------------|
| 01 | 2SB798 (DL, DK) |
| 02 | UNW1 |
| 03 | UNW2 |
| 04 | 2SB798 (DL, DK) |
| 05 | UNW1 |
| 06 | 2SB798 (DL, DK) |
| 07 | UNW1 |
| 08 | DTC114EE |
| 09 | DTC114YE |
| 010 | UNW2 |
| 011 | 2SC4738 (GR) |
| 012 | 2SC4738 (GR) |
| 013 | 2SB798 (DL, DK) |
| 014 | 2SC4738 (GR) |
| 015 | DTA144EE |
| 016 | 2SC4619 |
| 017 | 2SC4738 (GR) |
| 018 | 2SC4738 (GR) |
| 019 | DTC114EE |
| 020 | FMC3 |
| 021 | FMC3 |
| 022 | 2SK879 (Y) |
| 023 | DTC114YE |
| 024 | DTA143ZE |
| 025 | DTA144EE |
| 026 | UNW9 |
| 027 | UNW9 |



Note: Circuit is subject to change without notice due to advancements in technology.