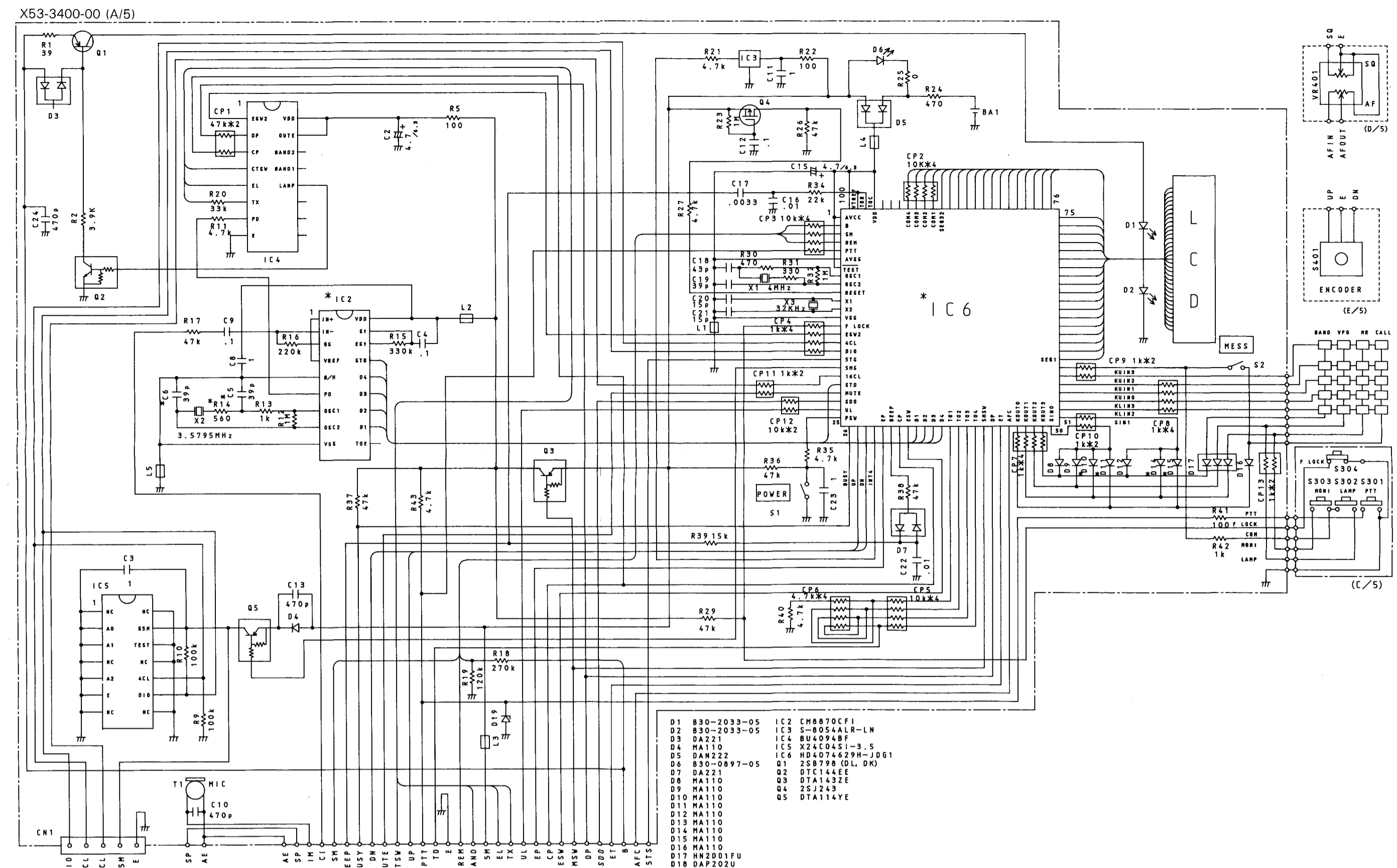
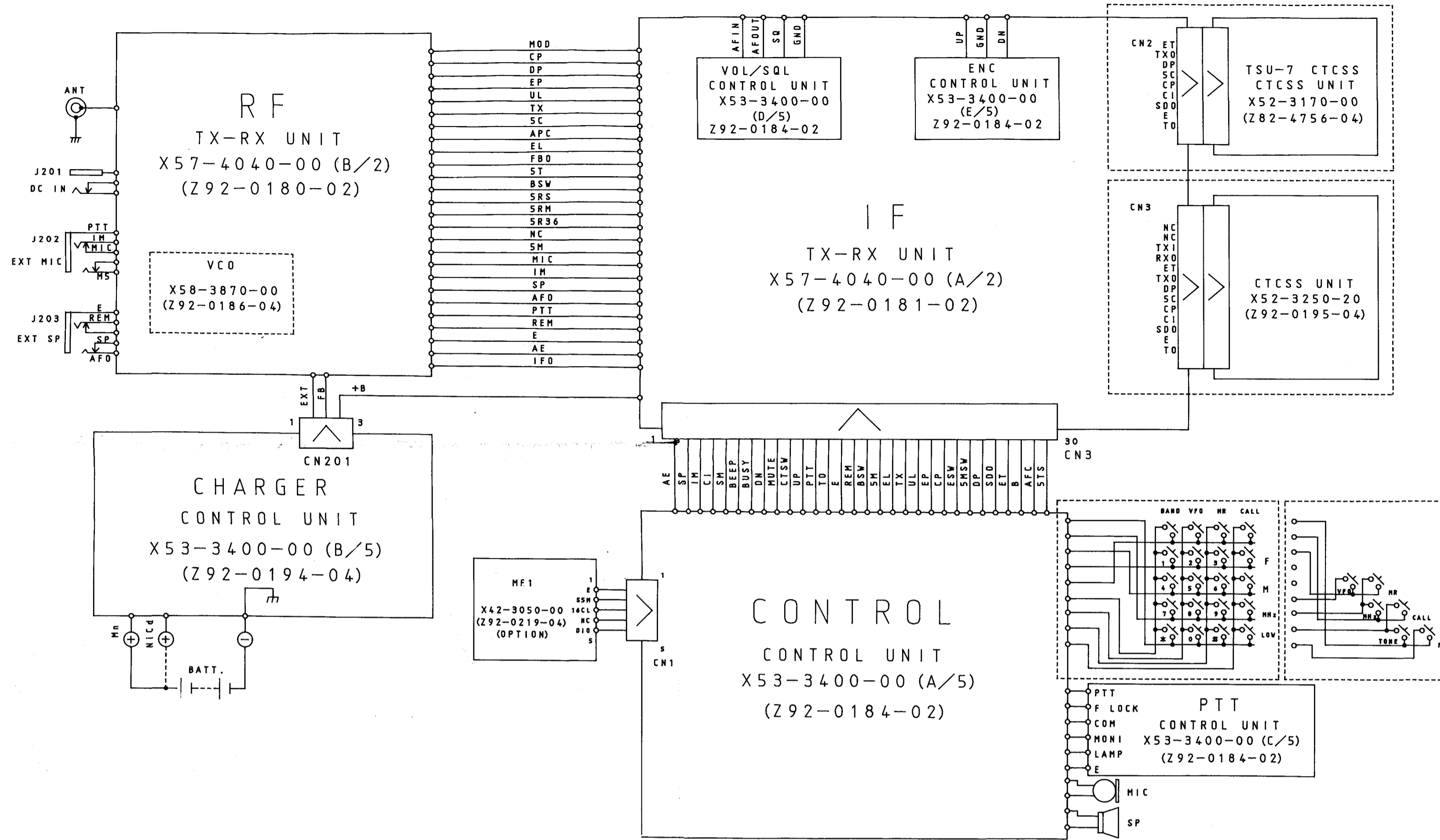
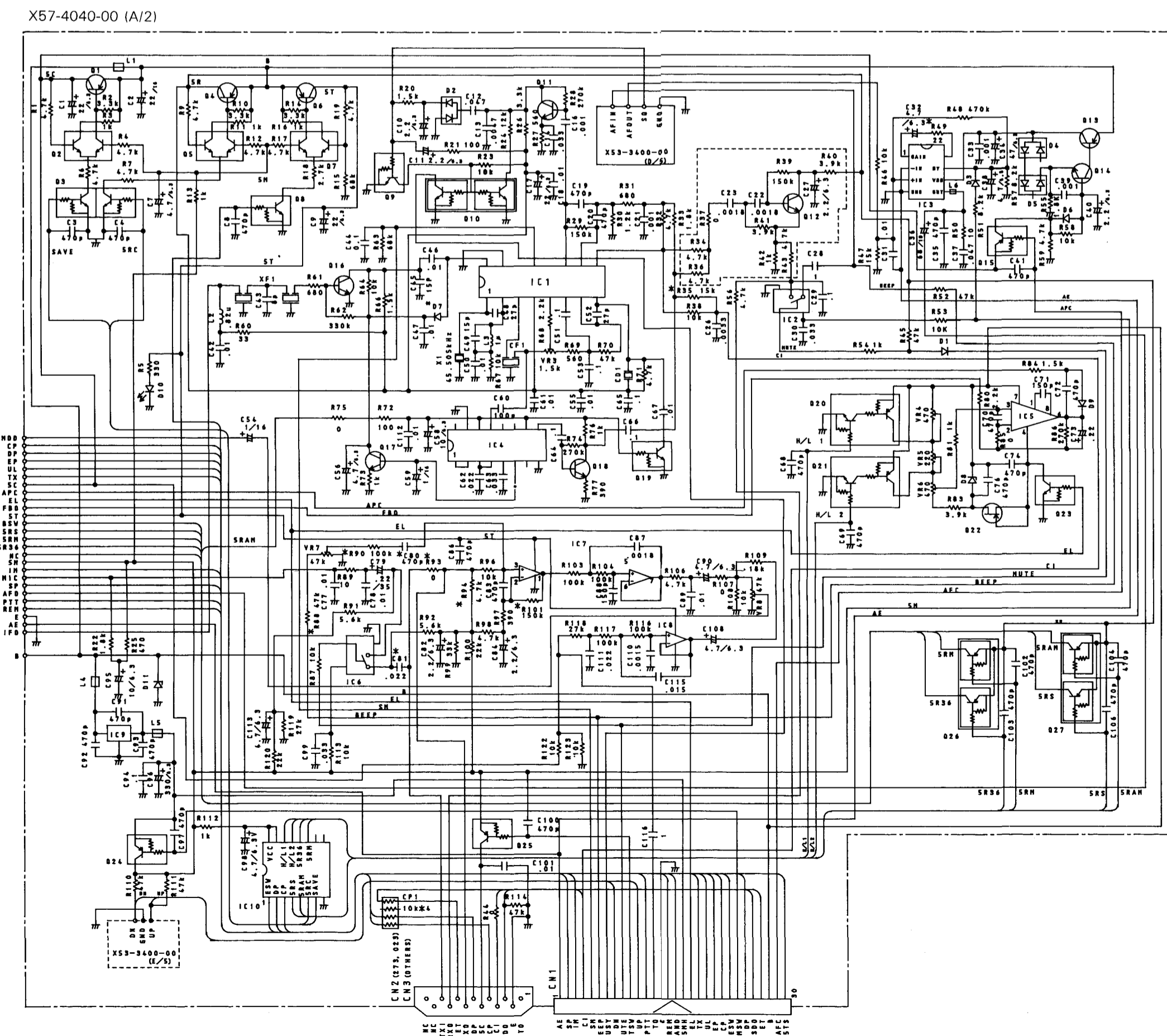


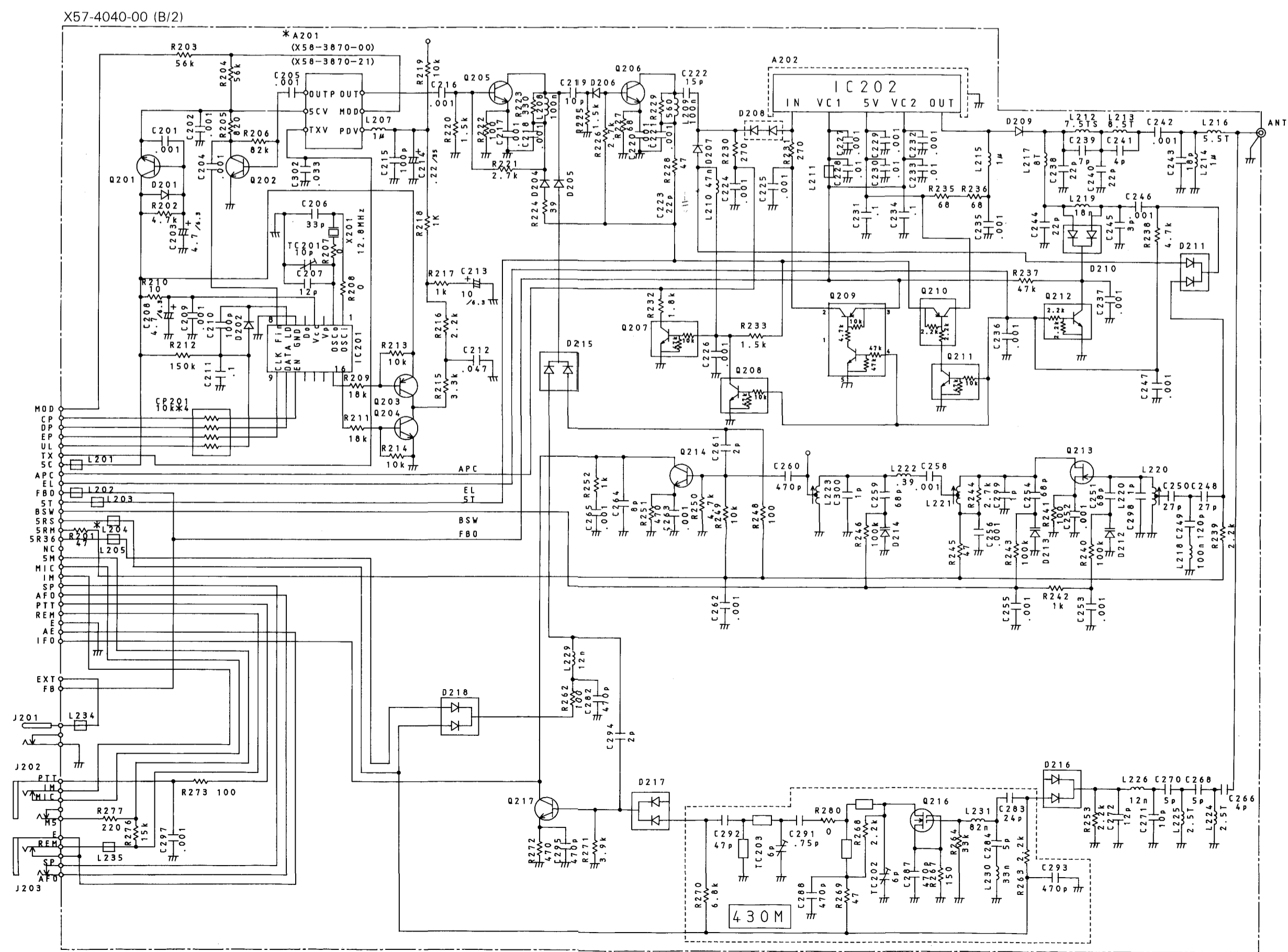
TH-28A/E SCHEMATIC DIAGRAM



TH-28/TH-48 2/3



- 01 RA110
- 02 RA112
- 03 RA113
- 04 RA114
- 05 RA115
- 06 RA116
- 07 RA117
- 08 RA118
- 09 RA119
- 10 RA120
- 11 RA121
- 12 RA122
- 13 RA123
- 14 RA124
- 15 RA125
- 16 RA126
- 17 RA127
- 18 RA128
- 19 RA129
- 20 RA130
- 21 RA131
- 22 RA132
- 23 RA133
- 24 RA134
- 25 RA135
- 26 RA136
- 27 RA137
- 28 RA138
- 29 RA139
- 30 RA140
- 31 RA141
- 32 RA142
- 33 RA143
- 34 RA144
- 35 RA145
- 36 RA146
- 37 RA147
- 38 RA148
- 39 RA149
- 40 RA150
- 41 RA151
- 42 RA152
- 43 RA153
- 44 RA154
- 45 RA155
- 46 RA156
- 47 RA157
- 48 RA158
- 49 RA159
- 50 RA160
- 51 RA161
- 52 RA162
- 53 RA163
- 54 RA164
- 55 RA165
- 56 RA166
- 57 RA167
- 58 RA168
- 59 RA169
- 60 RA170
- 61 RA171
- 62 RA172
- 63 RA173
- 64 RA174
- 65 RA175
- 66 RA176
- 67 RA177
- 68 RA178
- 69 RA179
- 70 RA180
- 71 RA181
- 72 RA182
- 73 RA183
- 74 RA184
- 75 RA185
- 76 RA186
- 77 RA187
- 78 RA188
- 79 RA189
- 80 RA190
- 81 RA191
- 82 RA192
- 83 RA193
- 84 RA194
- 85 RA195
- 86 RA196
- 87 RA197
- 88 RA198
- 89 RA199
- 90 RA200
- 91 RA201
- 92 RA202
- 93 RA203
- 94 RA204
- 95 RA205
- 96 RA206
- 97 RA207
- 98 RA208
- 99 RA209
- 100 RA210



Note: Circuit is subject to change without notice due to advancements in technology.