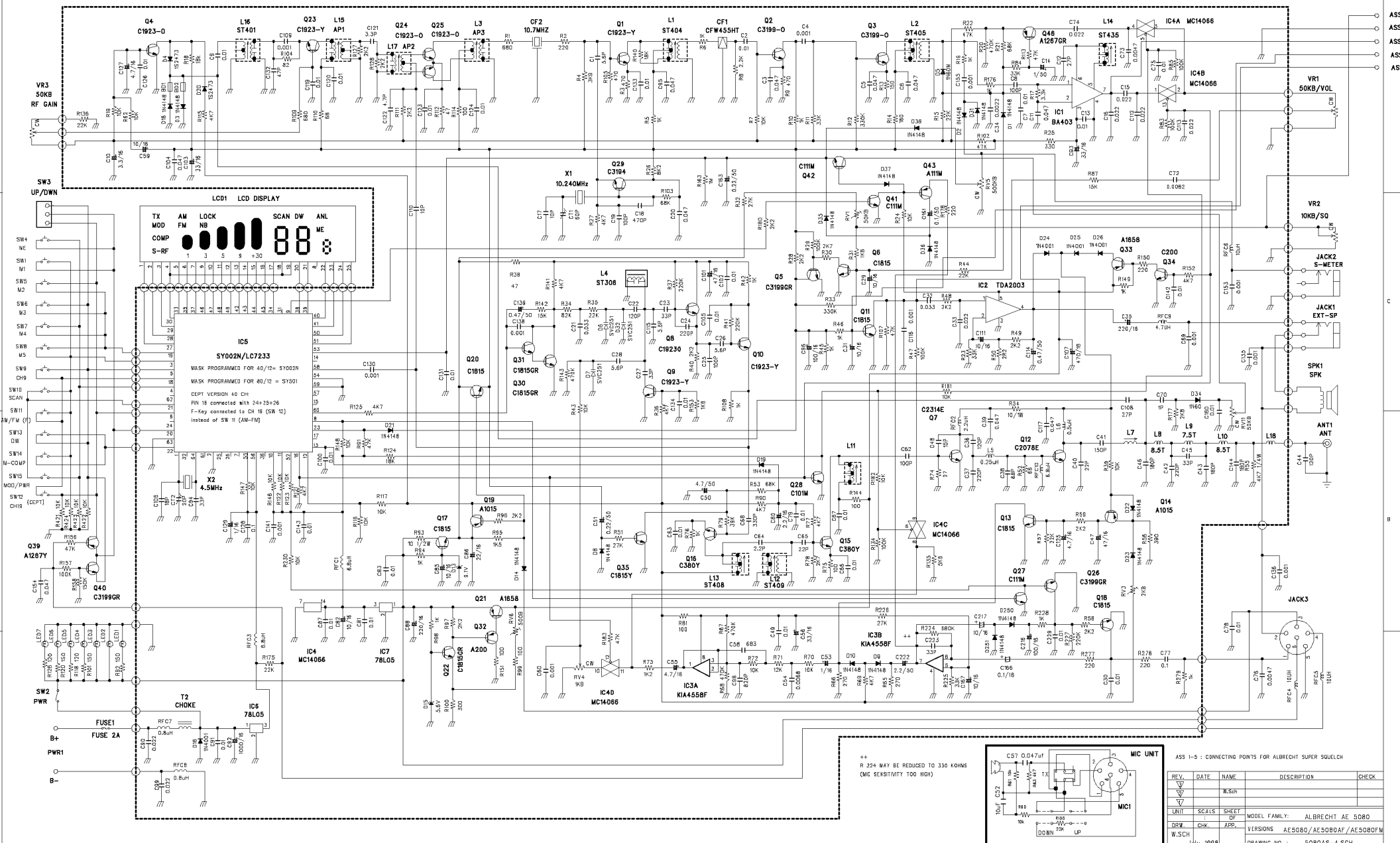


# ALBRECHT AE 5080 / AE 5080 AF / AE 5080 FM ALL VERSIONS

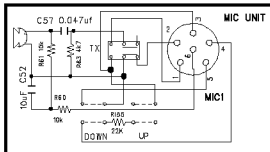


**LCD1 LCD DISPLAY**

TX MOD AM LOCK NB SCAN DW ANL ME  
S-RF 1 3 5 9 +30 8

**IC5 SY002N/LC7233**

MASK PROGRAMMED FOR 40/12=SY02N  
MASK PROGRAMMED FOR 80/12=SY01  
CEPT VERSION 40 Cpt  
PIN 18 connected with 24-25-26  
F-Key connected to CH 18 (SW 12)  
Instead of SW 11 (AM-FM)



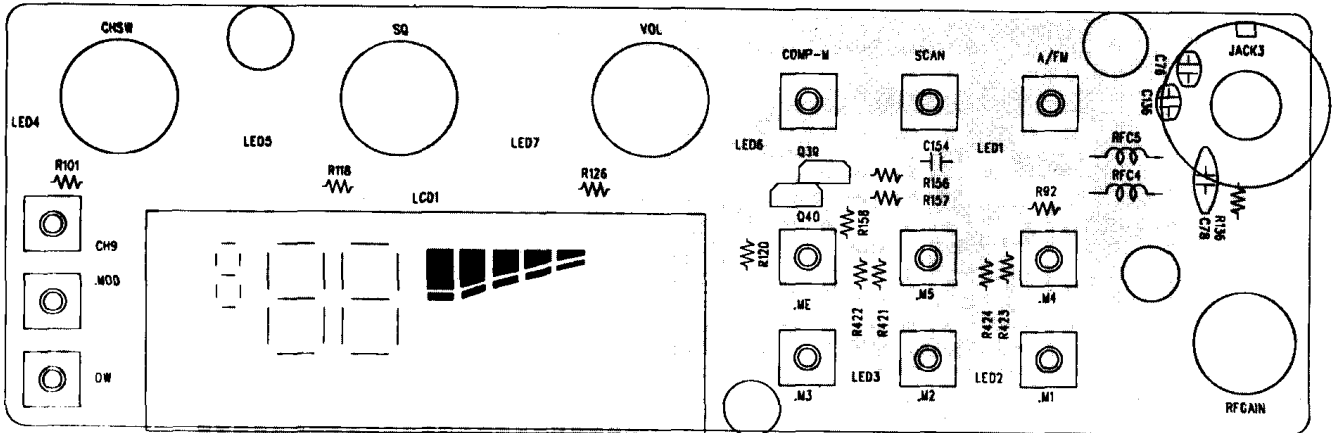
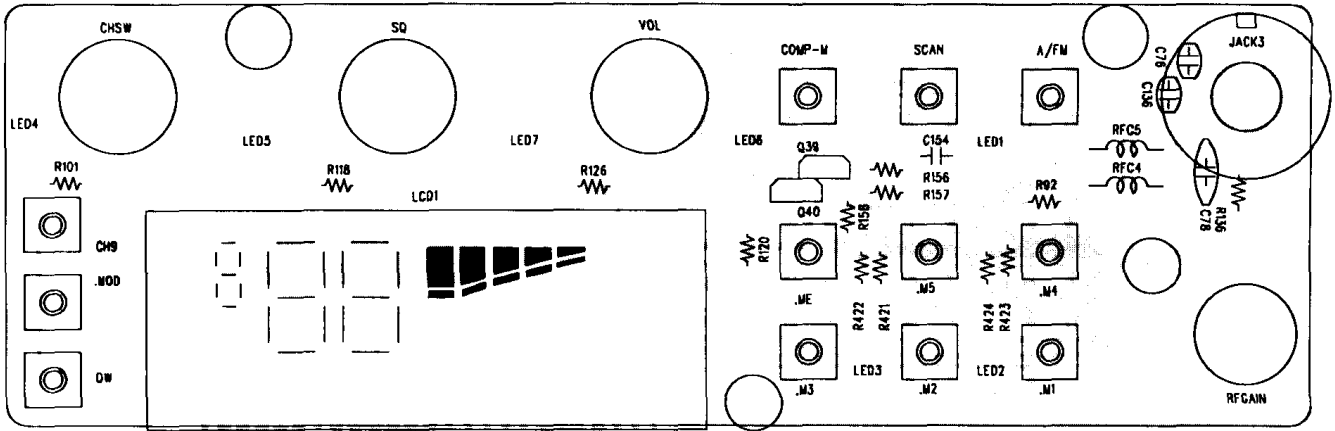
++  
R 224 MAY BE REDUCED TO 330 K OHMS  
(MIC SENSITIVITY TOO HIGH)

ASS 1-5 : CONNECTING POINTS FOR ALBRECHT SUPER SQUELCH

REV.	DATE	NAME	DESCRIPTION	CHECK

L1N1 SCALIS SHEET  
 REV. 01  
 MODEL FAMILY: ALBRECHT AE 5080  
 W.S.CH. APP. VERSIONS AE5080/AE5080AF/AE5080FM  
 July 1998 DRAWING NO.: 5080AS-4.SCH

# FRONT PCB



# SUB PCB

