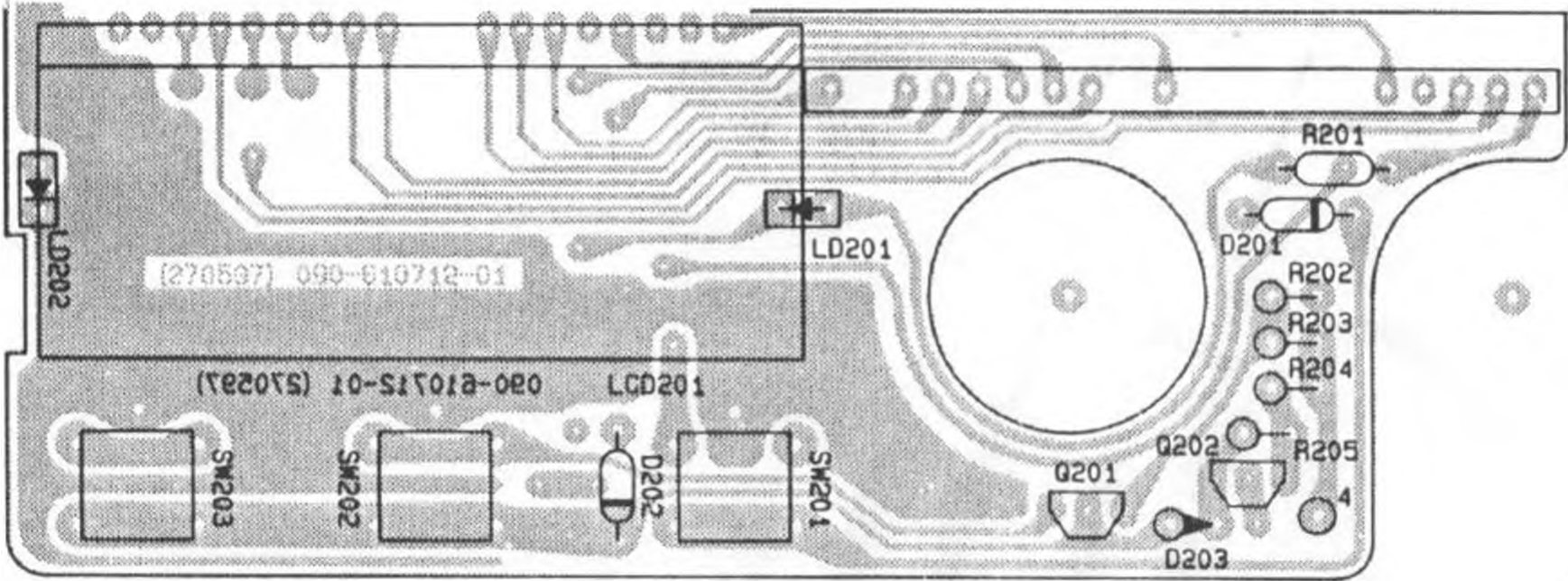
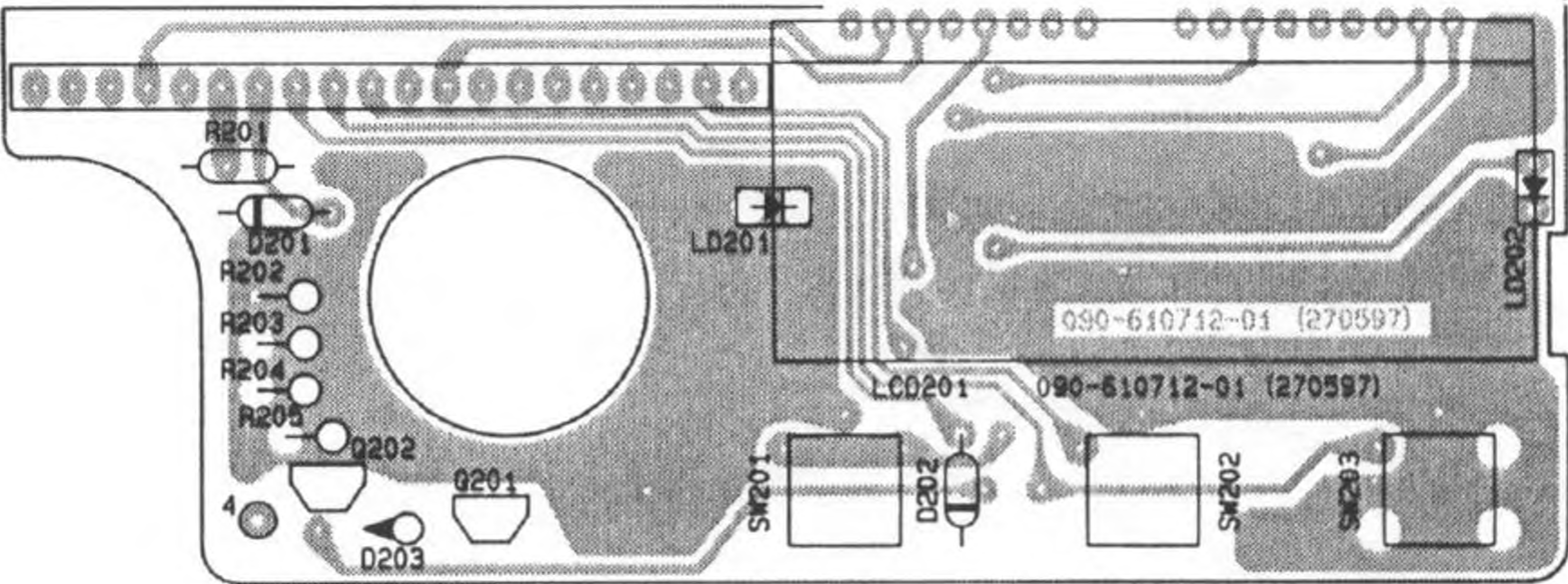
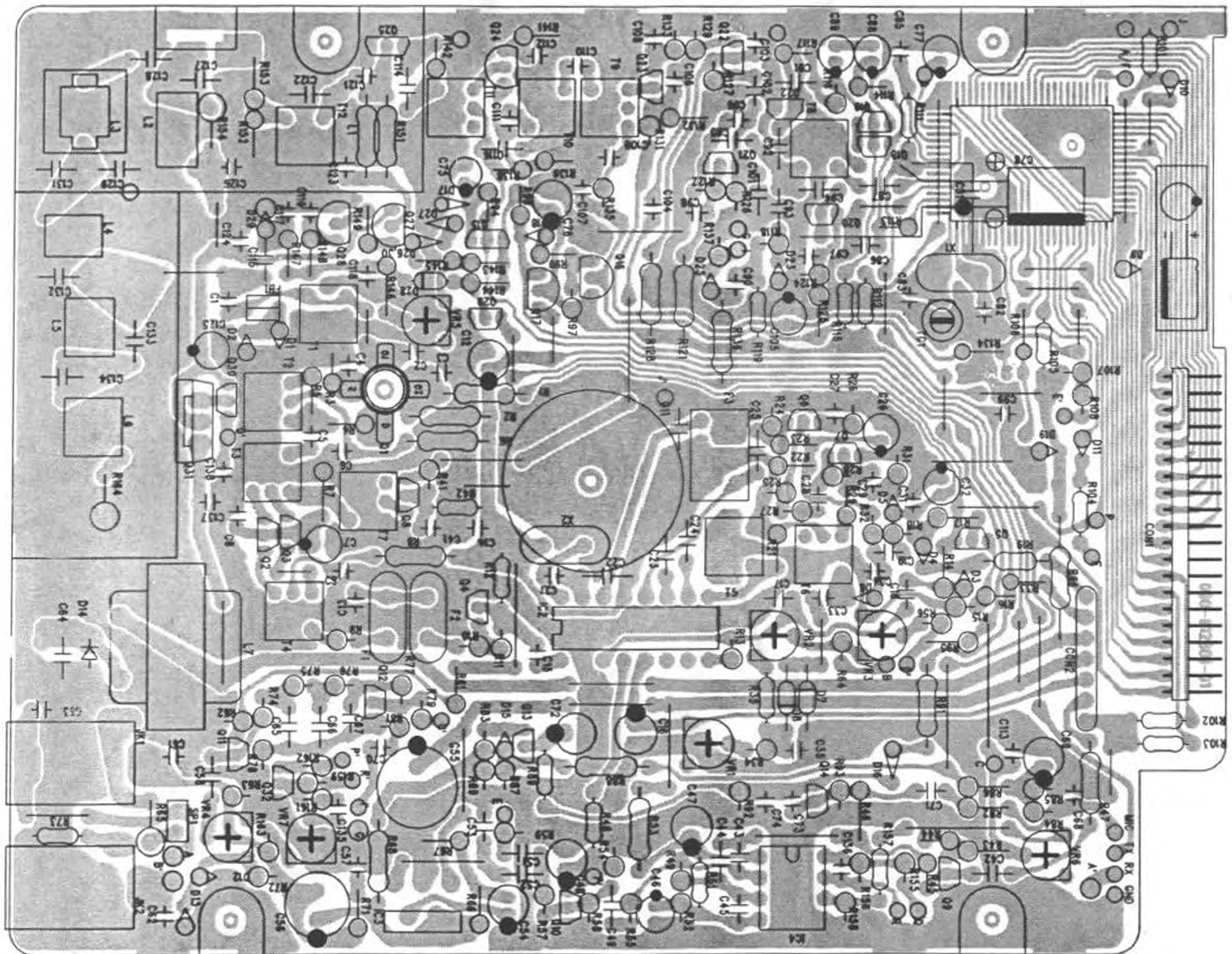


SOLDER SIDE VIEW

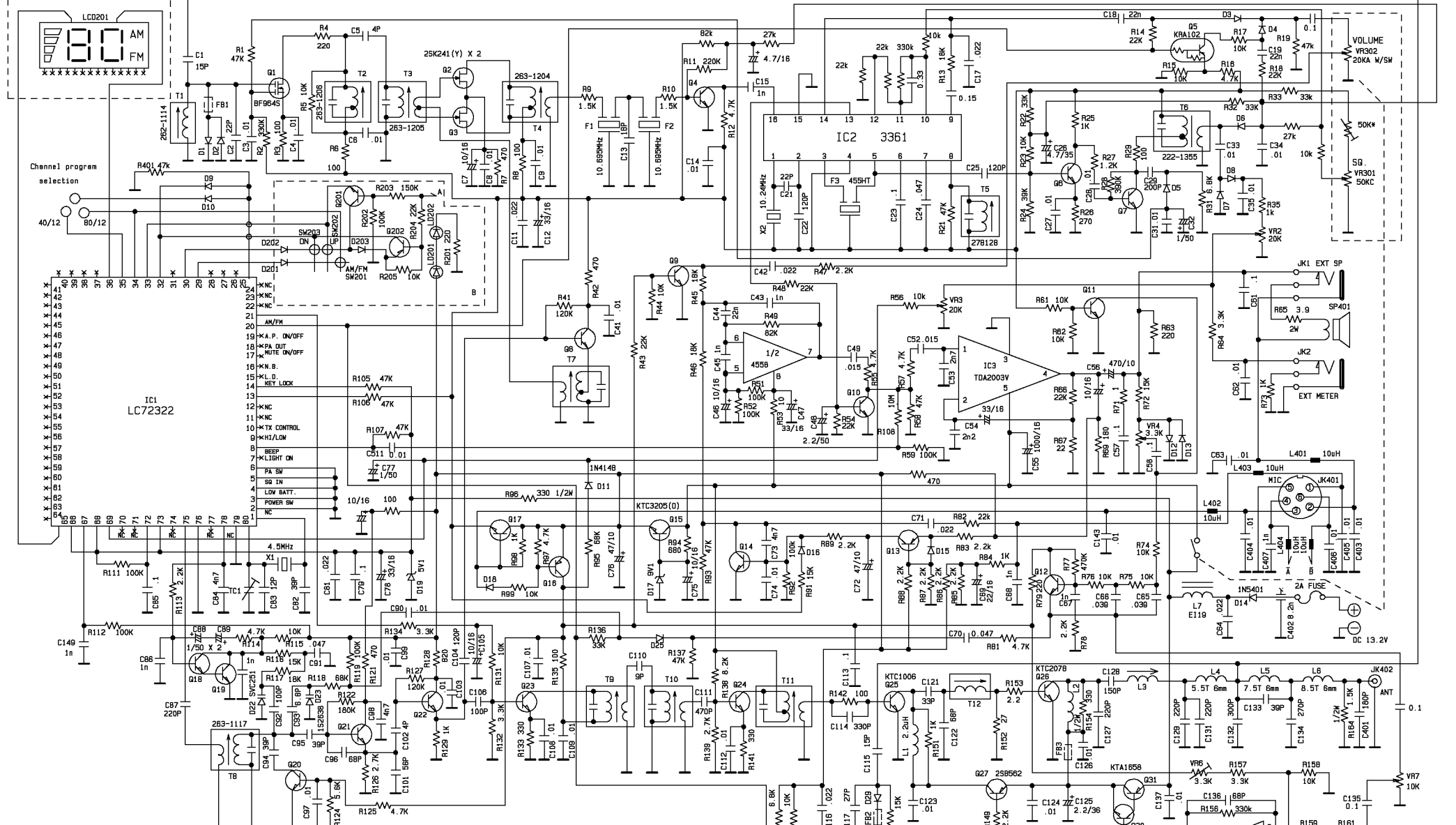


COMPONENT SIDE VIEW



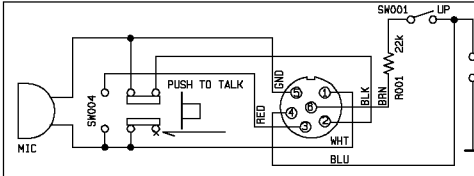


AE 4900 ALL VERSIONS: 80 CH FM/ 12 CH AM / AE 4900 AF 40 CH FM / 12 CH AM



- NOTES :
- 1) ALL RESISTANCE VALUES ARE INDICATED IN "OHM" (1M = 1000 OHM , 1K = 1000 OHM)
 - 2) ALL CAPACITANCE VALUES ARE INDICATED IN "uF" (1n = .001 uF , 1P = .001 nF)
 - 3) NOT INDICATED DIODE ARE 1N4148.
 - 4) G4, G20 : KTC3195(Y) . G13, 202 : KTA1287(Y) . G17, 24, 28 : KTC3198(Y) .
G6 TO 12, 14, 18, 19, 21 TO 23, 30, 201 : KTC3199(Y) . G16 : KTA1265(Y) .

REMARK : SOME COMPONENTS SUBJECT TO CHANGE FOR AN IMPROVEMENT WITHOUT NOTICE.



ALBRECHT ELECTRONIC GMBH i. Gr.

STATUS :	<input type="checkbox"/> TEMP.	<input type="checkbox"/> FIRST	<input type="checkbox"/> PILOT	<input checked="" type="checkbox"/> FINAL	
TITLE :	SCHEMATIC DIAGRAM	MODEL :	AE 4900	SIZE :	A3
DWG. NO. :	6128-102 (HOSHING)	REV. :	B	DATE :	5.5.1998
FILE :	4900-3.SCH	DWN. BY :		CHECKED BY :	SCH
				APP'D BY :	SCH