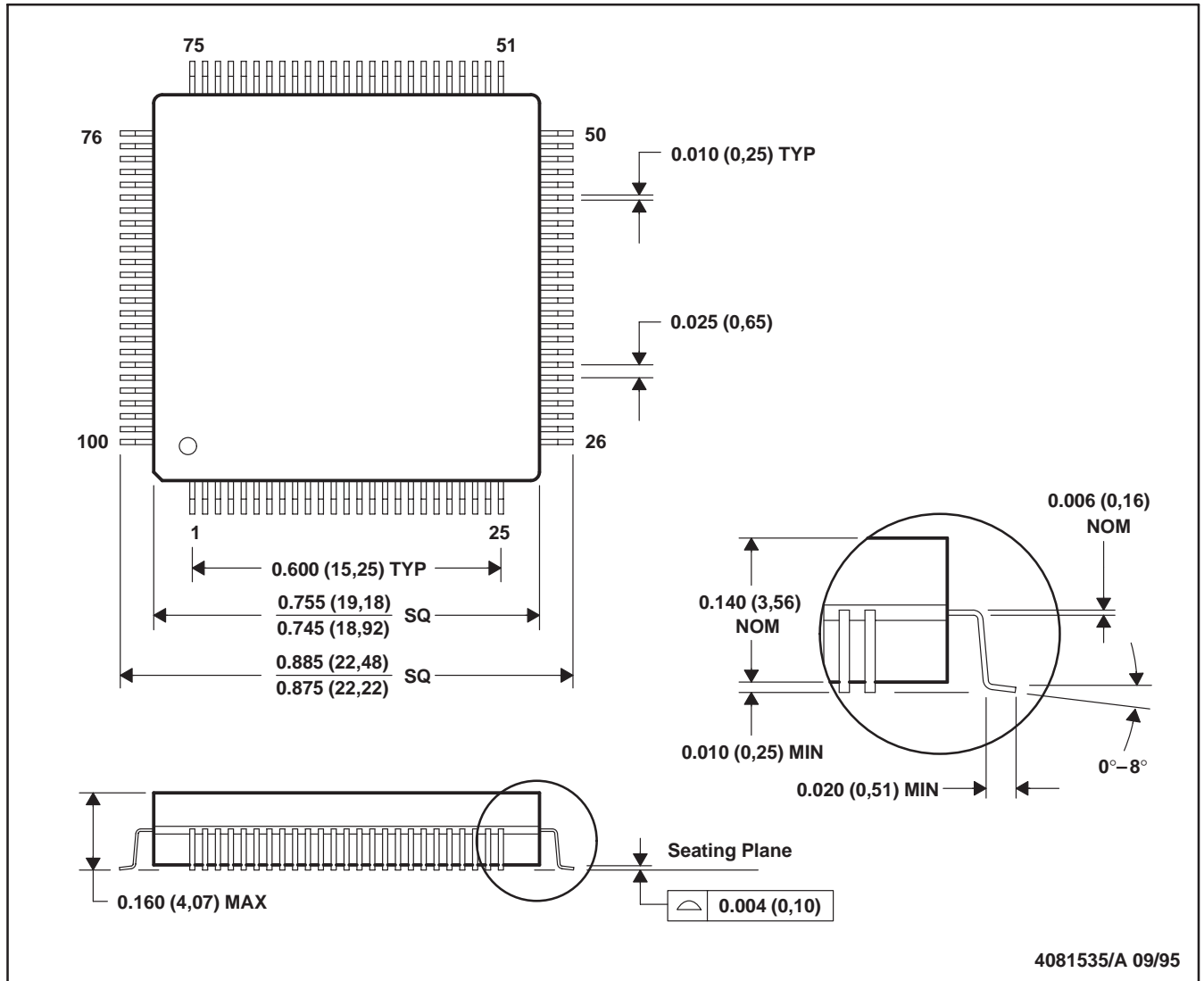


WN (R-GQFP-G100)

CERAMIC QUAD FLATPACK



- NOTES: A. All linear dimensions are in inches (millimeters).
 B. This drawing is subject to change without notice.