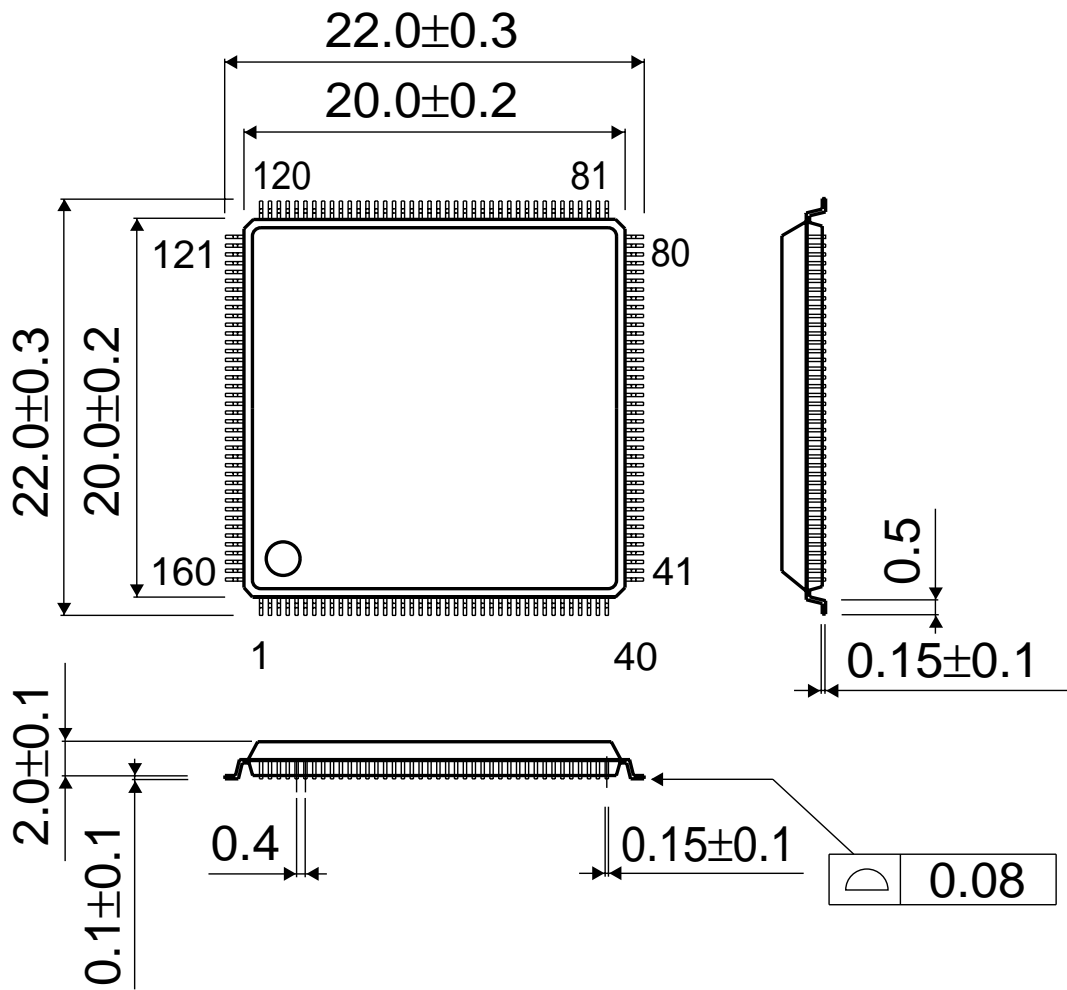


(Units : mm)

# • UQFP160



\* The contents described herein are subject to change without notice.