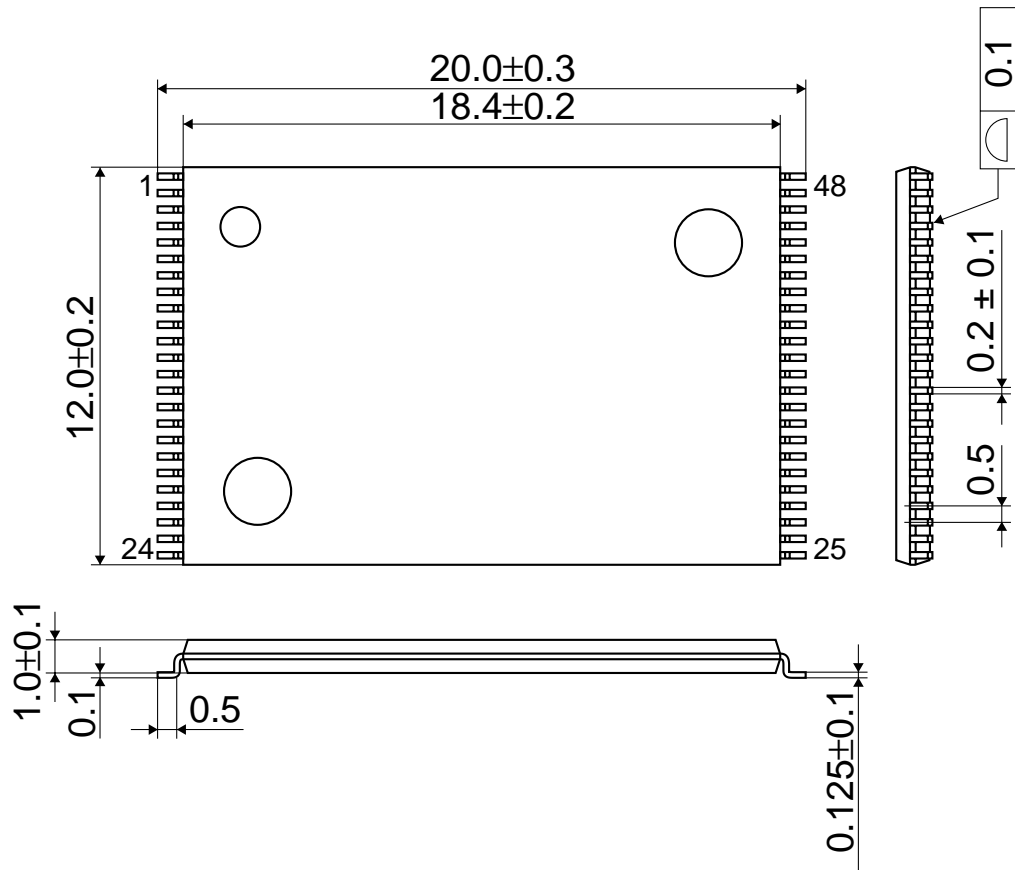


(Units : mm)

• TSOP48



* The contents described herein are subject to change without notice.