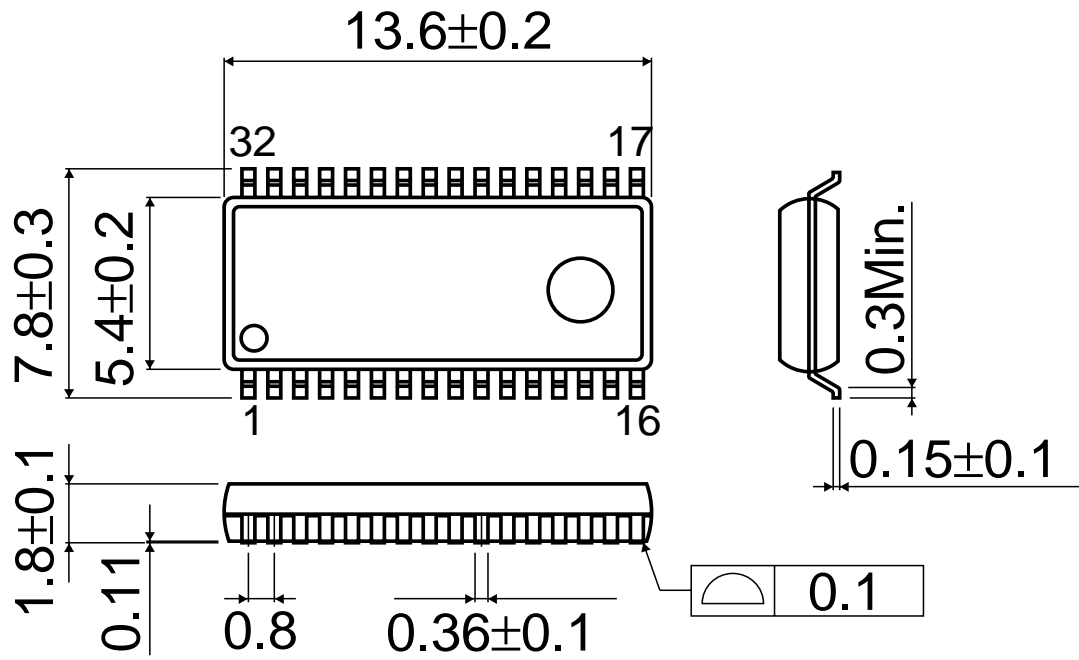


(Units : mm)

# • SSOP-A32



\* The contents described herein are subject to change without notice.