

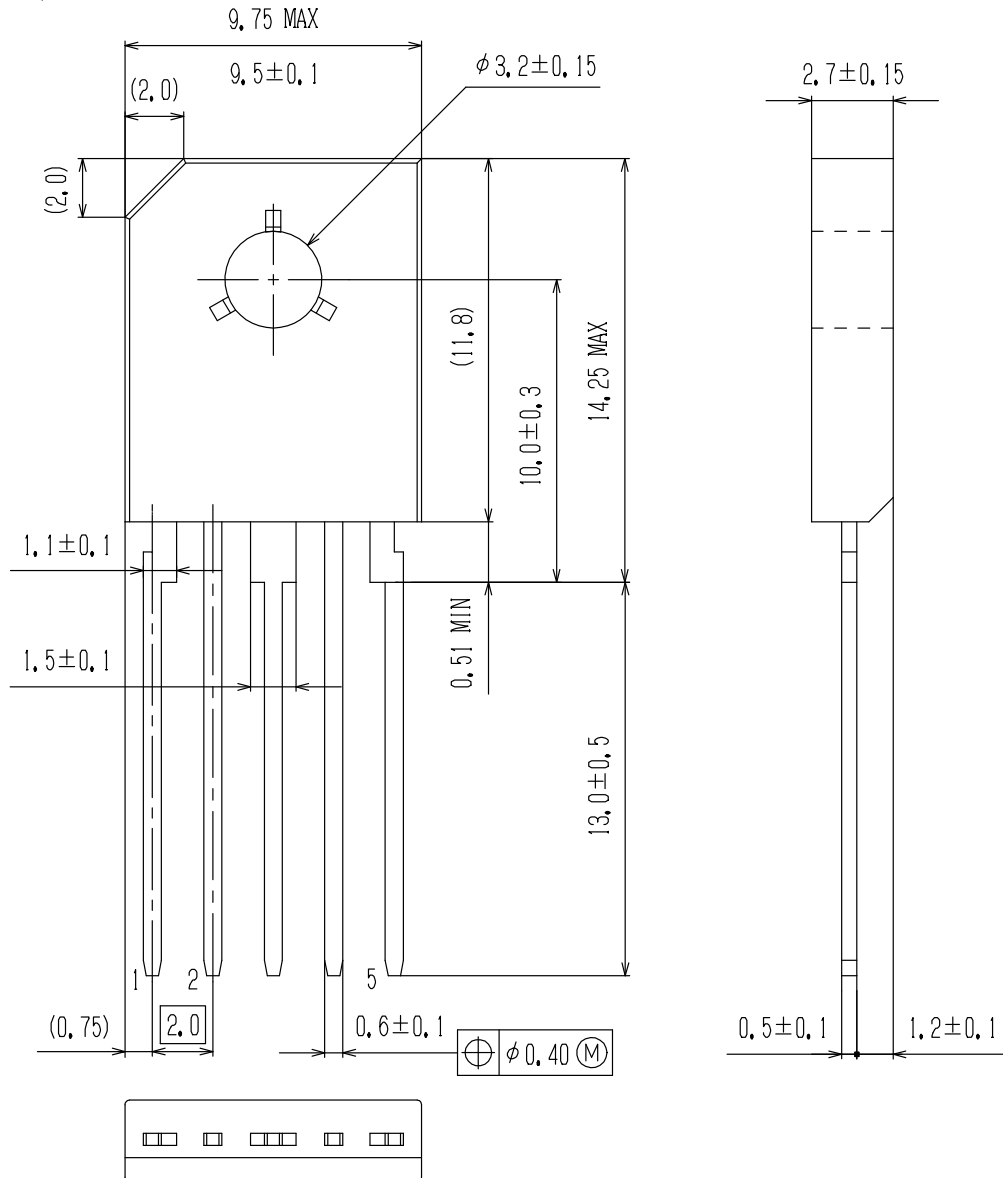
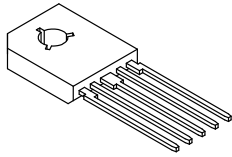
**MECHANICAL CASE OUTLINE**  
**PACKAGE DIMENSIONS**

ON Semiconductor®



SIP5 9.5x11.8 / SIP5H  
CASE 127AF  
ISSUE O

DATE 30 DEC 2011



<b>DOCUMENT NUMBER:</b>	<b>98AON66030E</b>	Electronic versions are uncontrolled except when accessed directly from the Document Repository. Printed versions are uncontrolled except when stamped "CONTROLLED COPY" in red.
<b>STATUS:</b>	<b>ON SEMICONDUCTOR STANDARD</b>	
<b>NEW STANDARD:</b>		
<b>DESCRIPTION:</b>	<b>SIP5 / SIP5H 9.5X11.8</b>	<b>PAGE 1 OF 2</b>

