

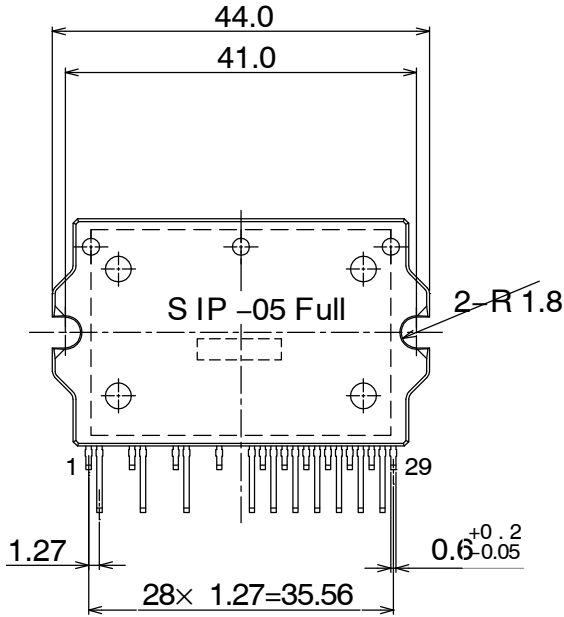
**MECHANICAL CASE OUTLINE**  
**PACKAGE DIMENSIONS**

ON Semiconductor®

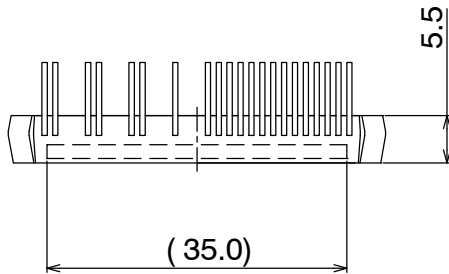
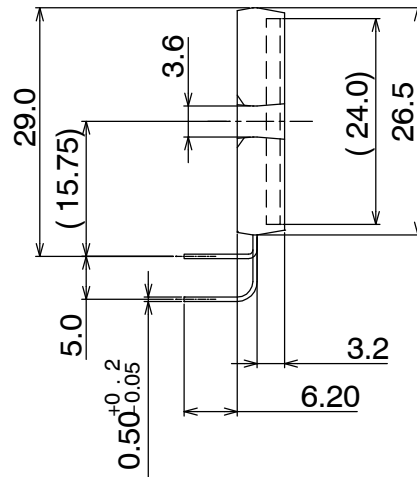


SIP29 44x26.5  
CASE 127CH  
ISSUE O

DATE 30 APR 2012



missing pin : 3,4,7,8,11,12,14,15



<b>DOCUMENT NUMBER:</b>	<b>98AON79834E</b>	Electronic versions are uncontrolled except when accessed directly from the Document Repository. Printed versions are uncontrolled except when stamped "CONTROLLED COPY" in red.
<b>STATUS:</b>	<b>ON SEMICONDUCTOR STANDARD</b>	
<b>NEW STANDARD:</b>		
<b>DESCRIPTION:</b>	<b>SIP29 44X26.5</b>	<b>PAGE 1 OF 2</b>

