

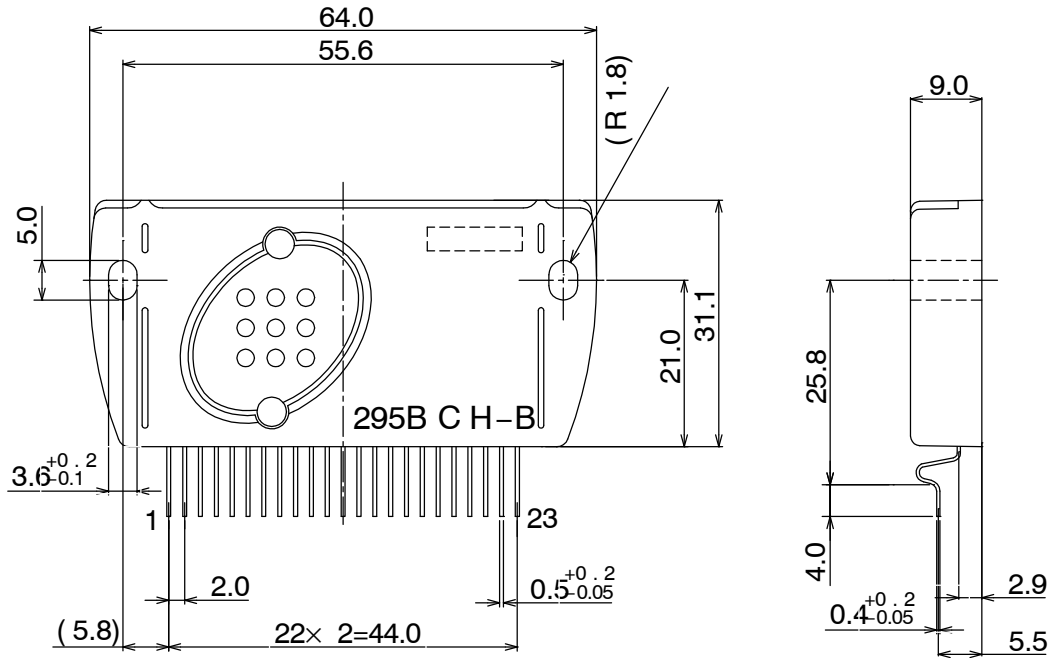
**MECHANICAL CASE OUTLINE**  
**PACKAGE DIMENSIONS**

ON Semiconductor®



SIP23 64x31.1  
CASE 127BE  
ISSUE 0

DATE 30 APR 2012



<b>DOCUMENT NUMBER:</b>	98AON79773E	Electronic versions are uncontrolled except when accessed directly from the Document Repository. Printed versions are uncontrolled except when stamped "CONTROLLED COPY" in red.
<b>STATUS:</b>	ON SEMICONDUCTOR STANDARD	
<b>NEW STANDARD:</b>		
<b>DESCRIPTION:</b>	SIP23 64X31.1	<b>PAGE 1 OF 2</b>

