

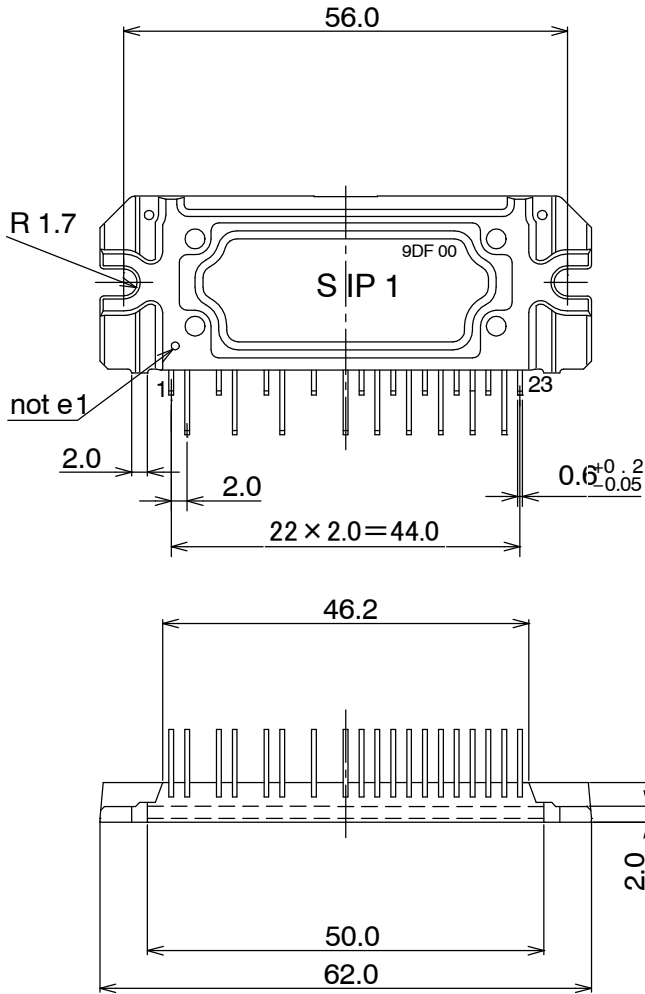
MECHANICAL CASE OUTLINE
PACKAGE DIMENSIONS

ON Semiconductor®

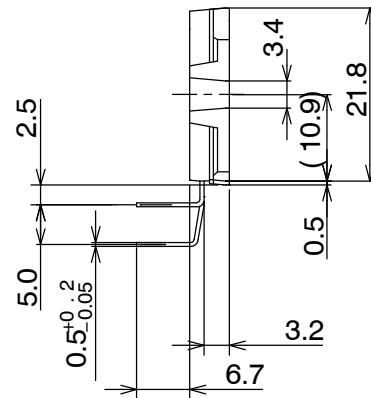


SIP23 56x21.8
CASE 127BV
ISSUE 0

DATE 30 APR 2012



missing pin: 3,6,9,11



DOCUMENT NUMBER:	98AON79788E	Electronic versions are uncontrolled except when accessed directly from the Document Repository. Printed versions are uncontrolled except when stamped "CONTROLLED COPY" in red.
STATUS:	ON SEMICONDUCTOR STANDARD	
NEW STANDARD:		
DESCRIPTION:	SIP23 56X21.8	PAGE 1 OF 2

