

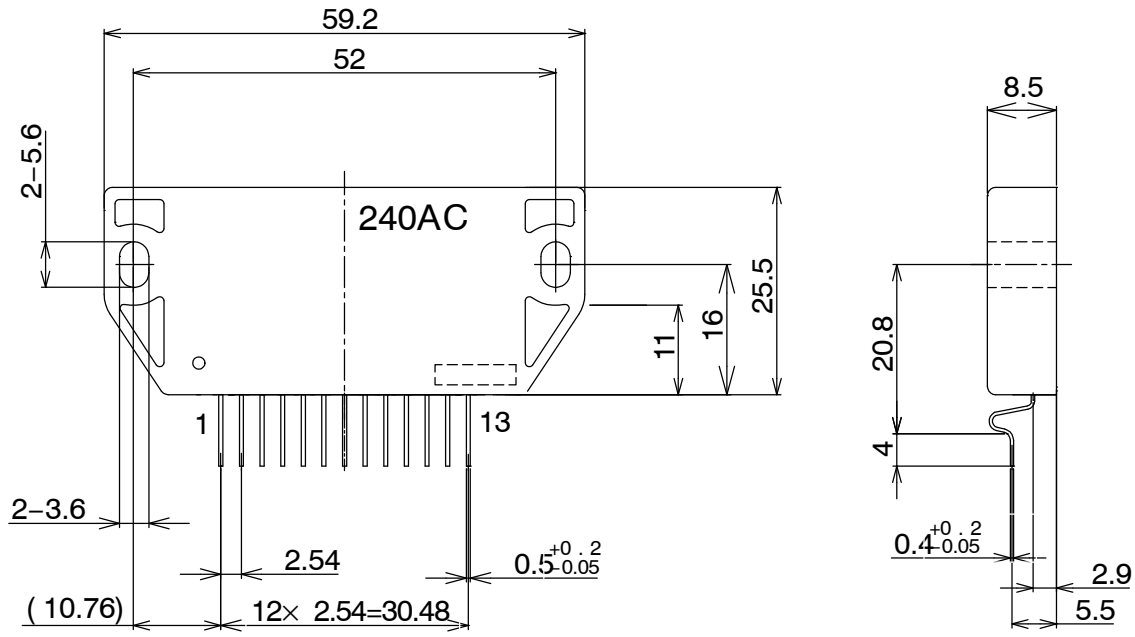
MECHANICAL CASE OUTLINE
PACKAGE DIMENSIONS

ON Semiconductor®



SIP13 59.2x25.5
CASE 127BK
ISSUE 0

DATE 30 APR 2012



DOCUMENT NUMBER:	98AON79778E	Electronic versions are uncontrolled except when accessed directly from the Document Repository. Printed versions are uncontrolled except when stamped "CONTROLLED COPY" in red.
STATUS:	ON SEMICONDUCTOR STANDARD	
NEW STANDARD:		
DESCRIPTION:	SIP13 59.2X25.5	PAGE 1 OF 2

