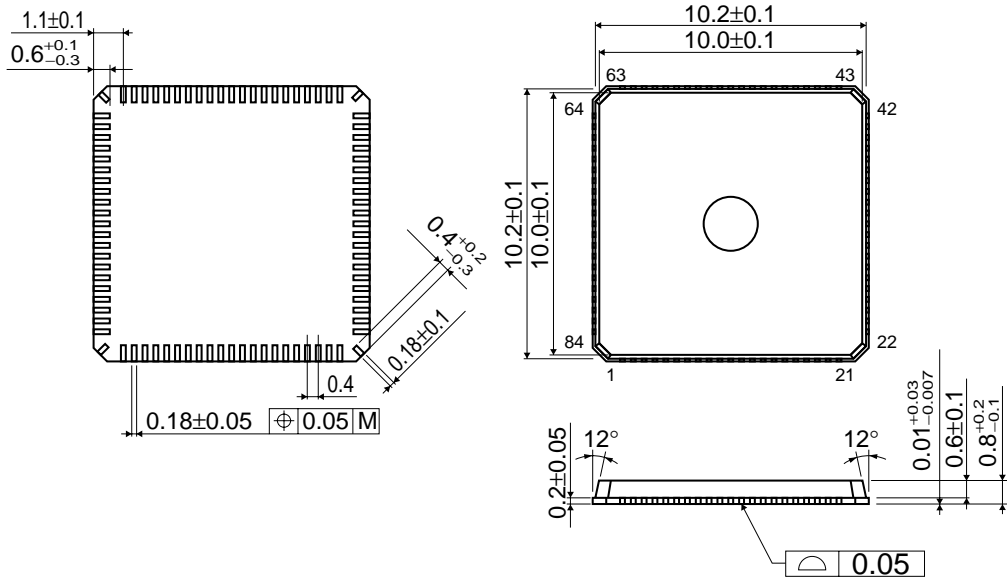


( Units : mm )

• QFN84U



\* The contents described herein are subject to change without notice.