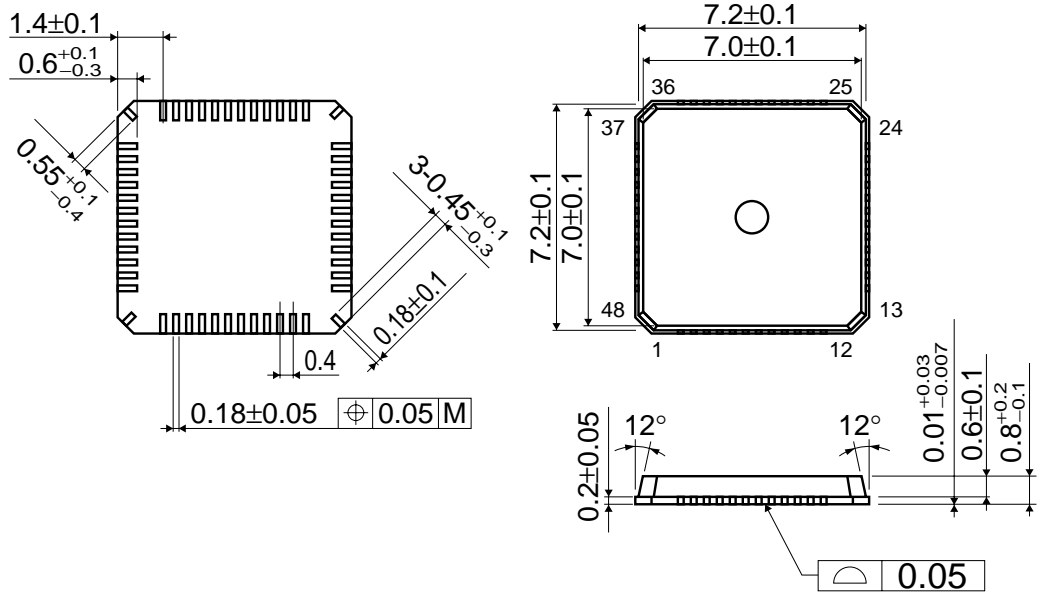


(Units : mm)

• QFN48U



* The contents described herein are subject to change without notice.