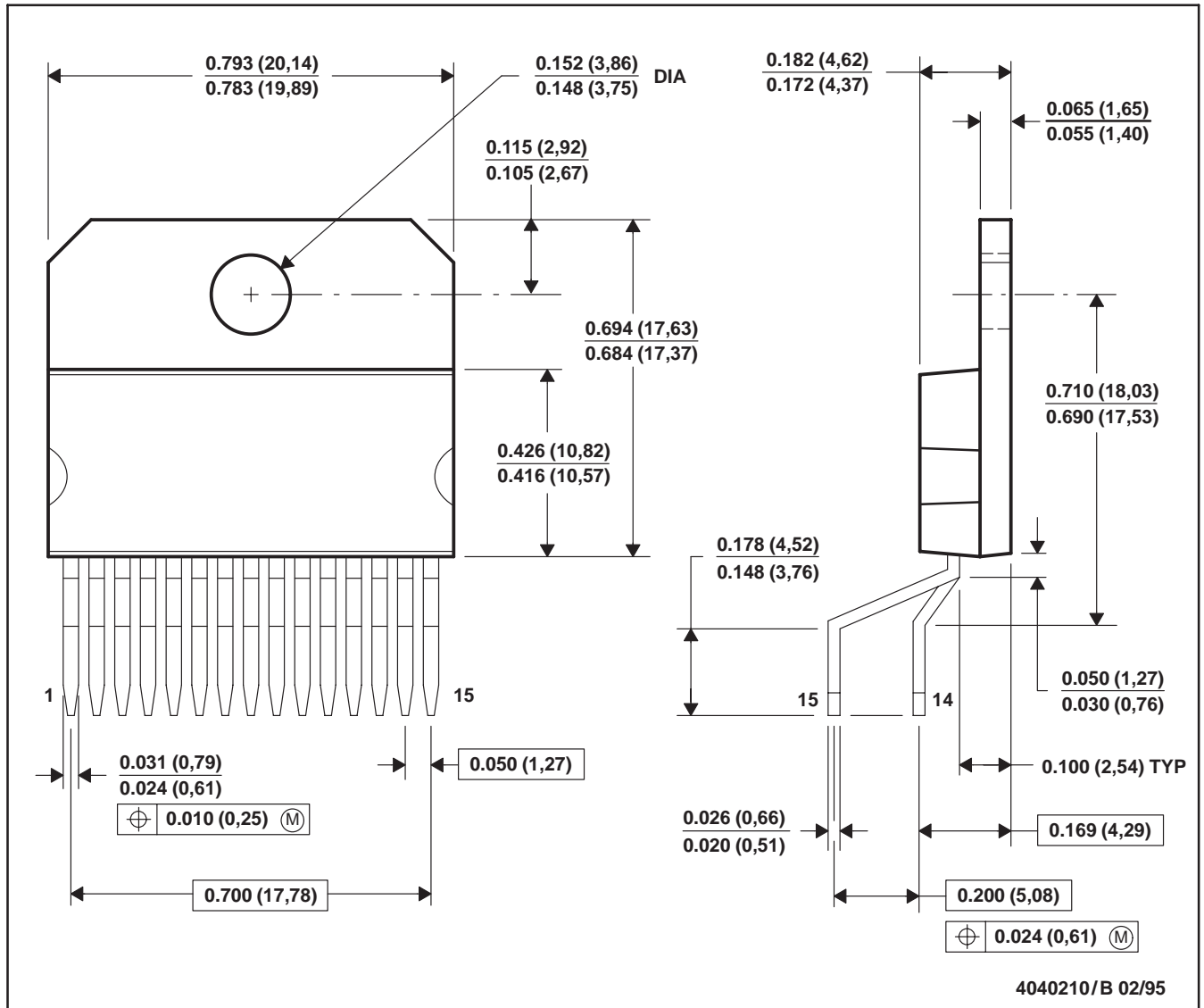


KV (R-PZFM-T15)

PLASTIC FLANGE-MOUNT PACKAGE



- NOTES: A. All linear dimensions are in inches (millimeters).
 B. This drawing is subject to change without notice.
 C. All lead dimensions apply before solder dip.
 D. Falls within JEDEC MO-048AB