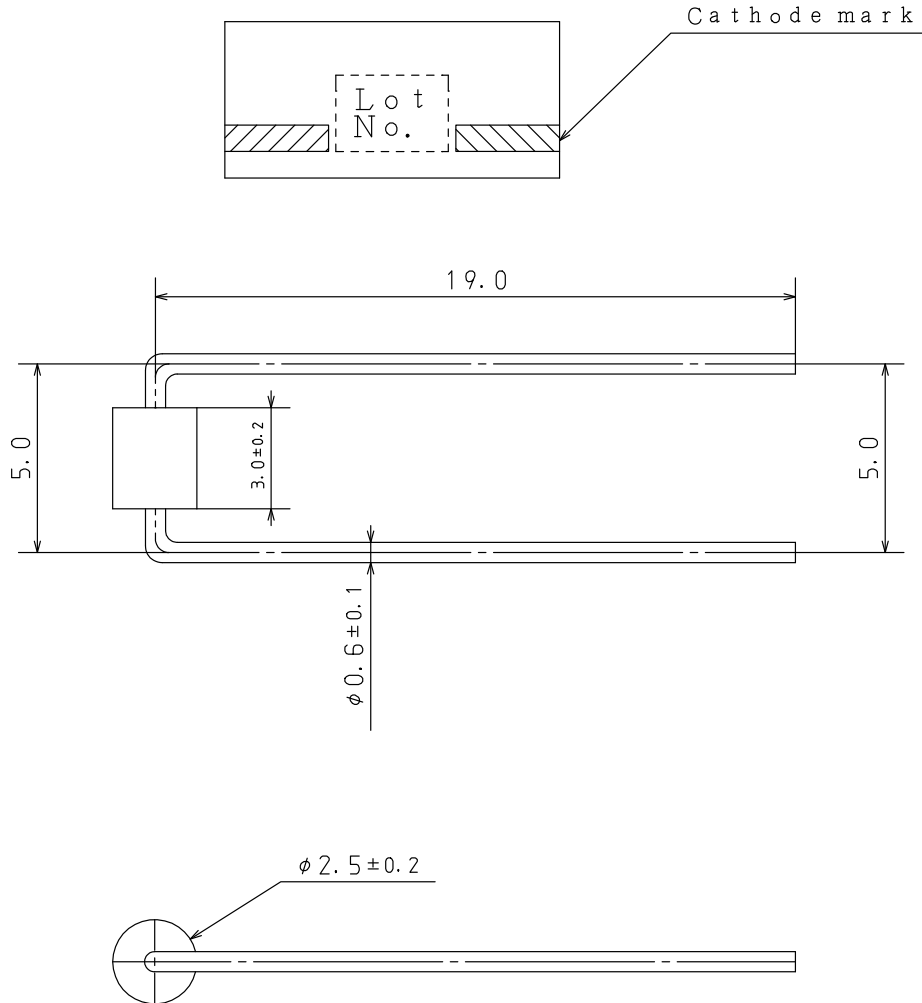


AXIAL 3x2.5 Round
CASE 362AN
ISSUE 0

DATE 30 APR 2012



DOCUMENT NUMBER:	98AON79570E	Electronic versions are uncontrolled except when accessed directly from the Document Repository. Printed versions are uncontrolled except when stamped "CONTROLLED COPY" in red.
STATUS:	ON SEMICONDUCTOR STANDARD	
NEW STANDARD:		
DESCRIPTION:	AXIAL 3X2.5 ROUND	PAGE 1 OF 2

