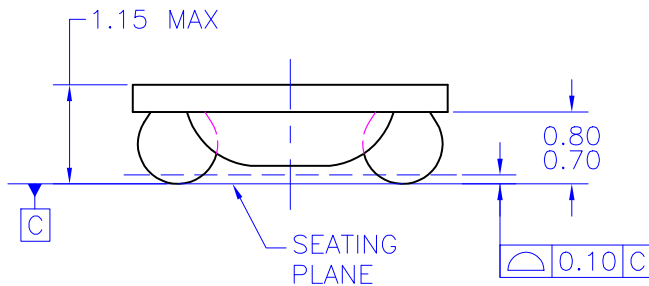
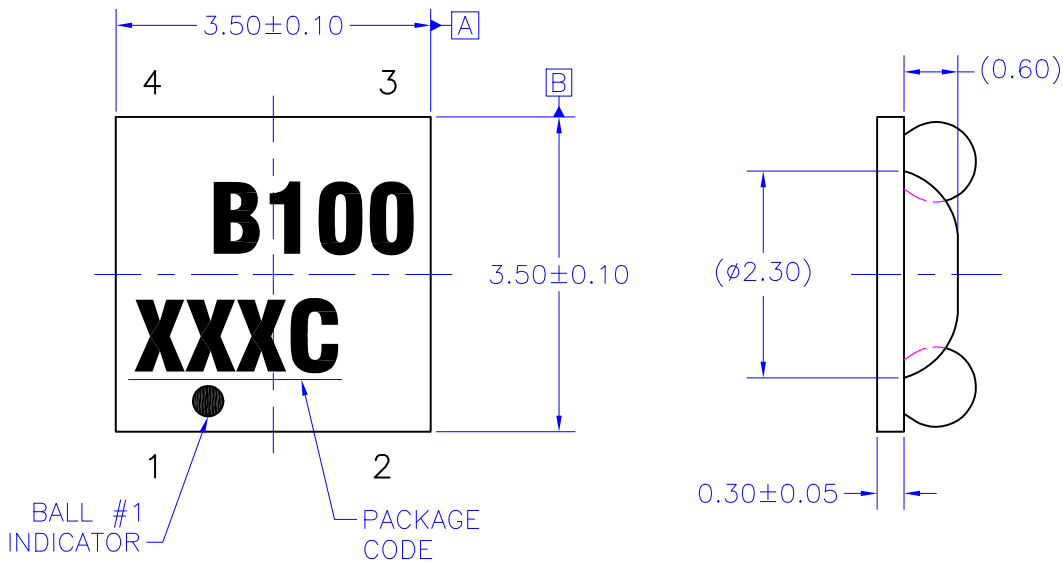
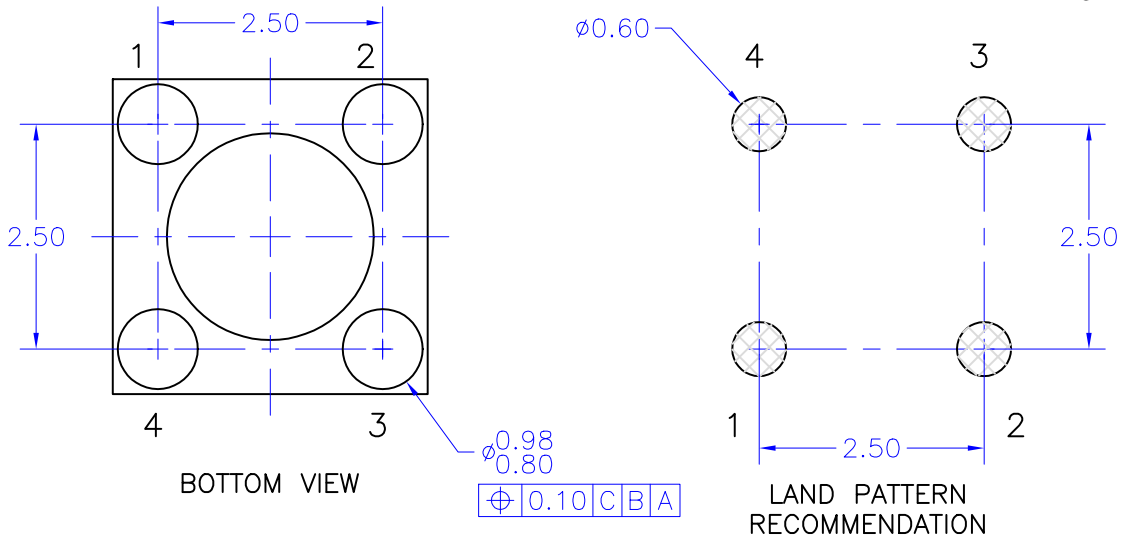


4 BALL OPTOCOUPLER BGA, 3.5x3.5
CASE 100CX
ISSUE O

DATE 31 DEC 2016



NOTES: UNLESS OTHERWISE SPECIFIED
A) ALL DIMENSIONS ARE IN MILLIMETERS.
B) NO JEDEC REGISTRATION REFERENCE AS OF NOVEMBER 2002.

DOCUMENT NUMBER:	98AON13288G	Electronic versions are uncontrolled except when accessed directly from the Document Repository. Printed versions are uncontrolled except when stamped "CONTROLLED COPY" in red.
STATUS:	ON SEMICONDUCTOR STANDARD	
NEW STANDARD:		
DESCRIPTION:	4 BALL OPTOCOUPLER BGA, 3.5x3.5	PAGE 1 OF 2

