

## 16-BIT SINGLE-CHIP MICROCONTROLLER

The  $\mu$ PD78P4916 is one of the  $\mu$ PD784915 subseries in the 78K/IV Series microcontrollers which incorporate a high-speed and high-performance 16-bit CPU.

The  $\mu$ PD78P4916 replaces mask ROM with one-time PROM and increases on-chip ROM and RAM capacity compared to the  $\mu$ PD784915.

It is suitable for evaluation at system development and for small quantity production.

**Detailed descriptions of functions are provided in the following user's manuals. Be sure to read these documents when designing.**

$\mu$ PD784915 Subseries User's Manual – Hardware : U10444E  
78K/IV Series User's Manual – Instruction : U10905E

## FEATURES

- High-speed instruction execution using 16-bit CPU core
  - Minimum instruction execution time: 250 ns (at 8-MHz internal clock)
- On-chip high capacity memory
  - PROM : 62 Kbytes **Note**
  - RAM : 2048 bytes **Note**

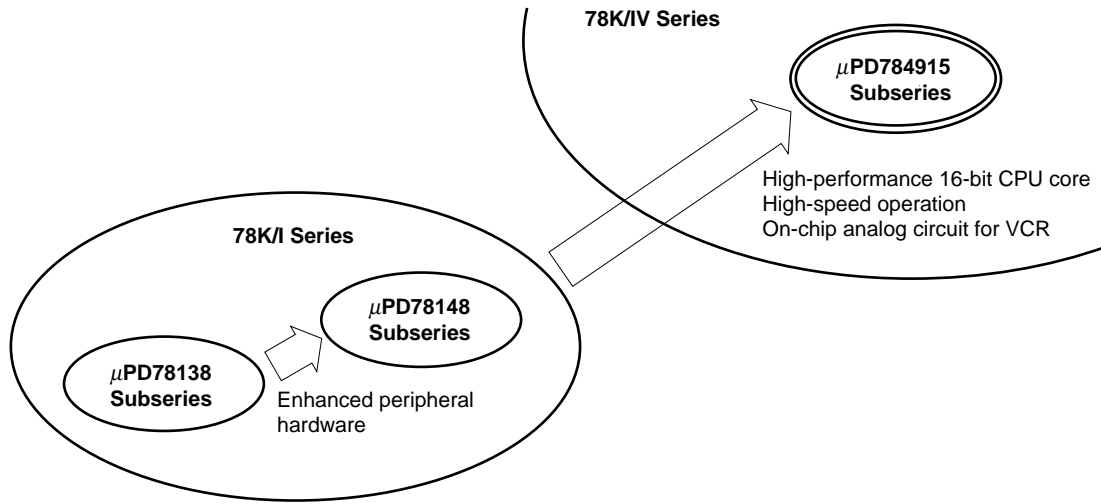
**Note** It is possible to change the capacity of the internal PROM and the internal RAM by specifying the internal memory capacity select (IMS) register.

## ORDERING INFORMATION

Part Number	Package
$\mu$ PD78P4916GF-3BA	100-pin plastic QFP (14 × 20 mm)

The information in this document is subject to change without notice.

78K/IV Series Products



Function List (1/2)

Item		Function				
Internal PROM capacity		62 Kbytes <b>Note</b>				
Internal RAM capacity		2048 bytes <b>Note</b>				
Operation clock		16 MHz (Internal clock: 8 MHz) Low frequency oscillation mode: 8 MHz (Internal clock: 8 MHz) Low power consumption mode: 32.768 kHz (Subsystem clock)				
Minimum instruction execution time		250 ns (at 8-MHz internal clock)				
I/O ports		Total: 54    Input: 8 I/O: 46				
Real-time output port		11 (including 3 outputs each for Pseudo-V <sub>SYNC</sub> , Head amplifier switch, and Chrominance rotate)				
Super timer unit	Timer/counter	Timer/counter	Compare register	Capture register	Remark	
		TM0 (16-bit)	3	–		
		TM1 (16-bit)	3	1		
		FRC (22-bit)	–	6		
		TM3 (16-bit)	2	1		
		UDC (5-bit)	1	–		
		EC (8-bit)	4	–	Generates HSW signal	
	EDV (8-bit)	1	–	Divides CFG signal		
	Capture register	Input signal	Number of bits	Measurement cycle	Operation edge	
		CFG	22	125 ns to 524 ms	↑	↓
DFG		22	125 ns to 524 ms	↑		
HSW		16	1 μs to 65.5 ms	↑	↓	
V <sub>SYNC</sub>		22	125 ns to 524 ms	↑		
CTL		16	1 μs to 65.5 ms	↑	↓	
T <sub>REEL</sub>		22	125 ns to 524 ms	↑	↓	
S <sub>REEL</sub>	22	125 ns to 524 ms	↑	↓		
Special circuit for VCR	<ul style="list-style-type: none"> <li>• V<sub>SYNC</sub> separator, H<sub>SYNC</sub> separator</li> <li>• VISS detector, Wide-aspect detector</li> <li>• Field identifier</li> <li>• Head amplifier switch/chrominance rotate output circuit</li> </ul>					
General purpose timer	Timer	Compare register	Capture register			
	TM2 (16-bit)	1	–			
	TM4 (16-bit)	1 (Capture/compare)		1		
	TM5 (16-bit)	1	–			
PWM output	<ul style="list-style-type: none"> <li>• 16-bit precision: 3 channels (Carrier frequency: 62.5 kHz)</li> <li>• 8-bit precision: 3 channels (Carrier frequency: 62.5 kHz)</li> </ul>					
Serial interface	3-wire serial I/O: 2 channels <ul style="list-style-type: none"> <li>• BUSY/STRB control available (only 1 channel)</li> </ul>					
A/D converter	8-bit resolution × 12 channels, conversion time: 10 μs					

**Note** It is possible to change the capacity of the internal PROM and the internal RAM by specifying the internal memory capacity select (IMS) register.

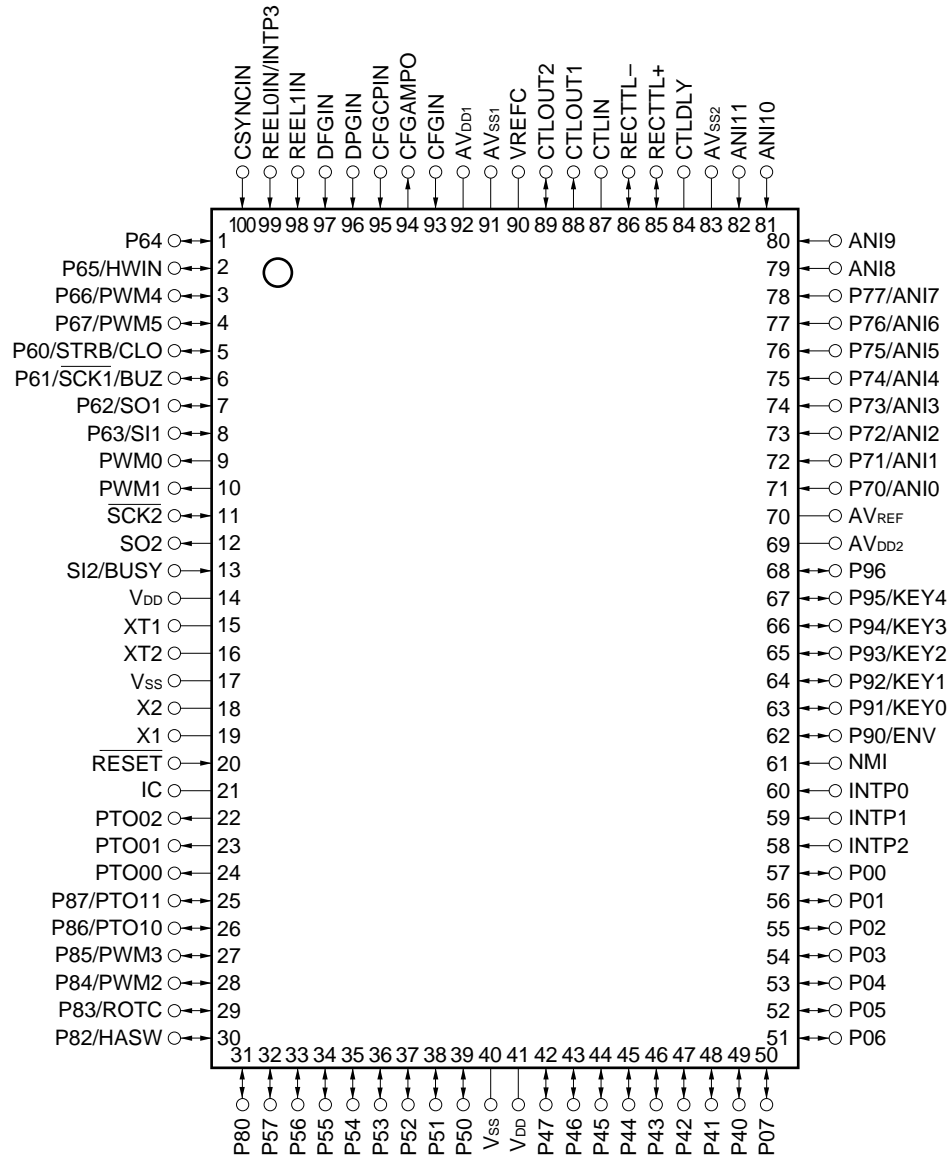
Function List (2/2)

Item	Function
Analog unit	<ul style="list-style-type: none"> <li>• CTL amplifier</li> <li>• RECCTL driver (supports re-write operation)</li> <li>• DFG amplifier, DPG comparator, CFG amplifier</li> <li>• DPG separator (Three-value)</li> <li>• Reel FG comparator (2 channels)</li> <li>• CSYNC comparator</li> </ul>
Interrupt	Programmable 4 levels, vectored interrupt, macro service, context switching
* External	9 (including NMI)
* Internal	19 (including software interrupt)
Standby function	HALT mode/STOP mode Low-power consumption mode: HALT mode Release from STOP mode by NMI pin's active edge, Watch interrupt (INTW), or INTP1/INTP2/KEY0-KEY4 pins' input.
* Watch function	0.5-sec interval, capable of low-voltage operation ( $V_{DD} = 2.7\text{ V}$ )
Power supply voltage	$V_{DD} = 2.7\text{ to }5.5\text{ V}$
Package	100-pin plastic QFP (14 × 20 mm)

Pin Configuration (Top View)

(1) Normal Operation Mode

- 100-pin plastic QFP (14 × 20 mm)  
μPD78P4916GF-3BA

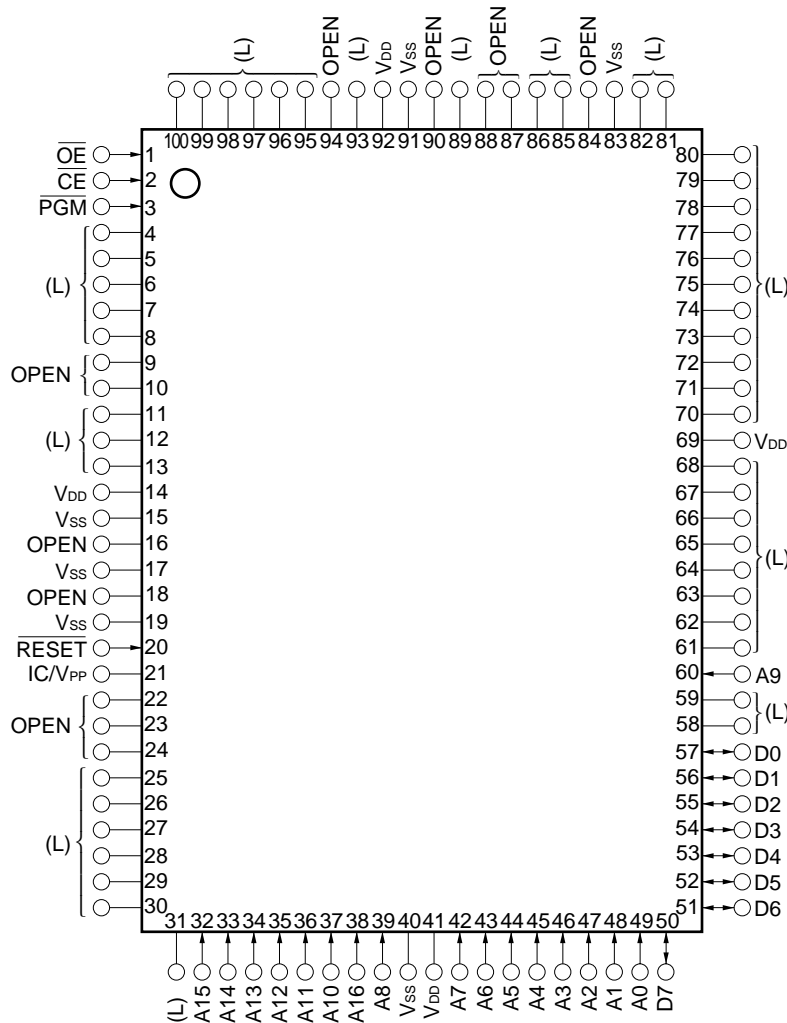


Caution Connect the IC (Internally Connected) pin to V<sub>SS</sub> directly.

ANI0-ANI11	: Analog Input	P00-P07	: Port0
AV <sub>DD1</sub> , AV <sub>DD2</sub>	: Analog Power Supply	P40-P47	: Port4
AV <sub>SS1</sub> , AV <sub>SS2</sub>	: Analog Ground	P50-P57	: Port5
AV <sub>REF</sub>	: Analog Reference Voltage	P60-P67	: Port6
BUSY	: Serial Busy	P70-P77	: Port7
BUZ	: Buzzer Output	P80, P82-P87	: Port8
CFGAMPO	: Capstan FG Amplifier Output	P90-P96	: Port9
CFGCPIN	: Capstan FG Capacitor Input	PTO00-PTO02,	: Programmable Timer Output
CFGIN	: Analog Unit Input	PTO10, PTO11	
CLO	: Clock Output	PWM0 - PWM5	: Pulse Width Modulation Output
CSYNCIN	: Analog Unit Input	RECCTL+, RECCTL-	: RECCTL Output/PBCLT Input
CTLDLY	: Control Delay Input	REEL0IN, REEL1IN	: Analog Unit Input
CTLIN	: CTL Amplifier Input Capacitor	RESET	: Reset
CTLOUT1, CTLOUT2	: CTL Amplifier Output	ROTC	: Chrominance Rotate Output
DFGIN	: Analog Unit Input	SCK1, SCK2	: Serial Clock
DPGIN	: Analog Unit Input	SI1, SI2	: Serial Input
ENV	: Envelope Input	SO1, SO2	: Serial Output
HASW	: Head Amplifier Switch Output	STRB	: Serial Strobe
HWIN	: Hardware Timer External Input	V <sub>DD</sub>	: Power Supply
IC	: Internally Connected	VREFC	: Reference Amplifier Capacitor
INTP0-INTP3	: Interrupt From Peripherals	V <sub>SS</sub>	: Ground
KEY0-KEY4	: Key Return	X1, X2	: Crystal (Main System Clock)
NMI	: Nonmaskable Interrupt	XT1, XT2	: Crystal (Subsystem Clock)

(2) PROM Programming Mode

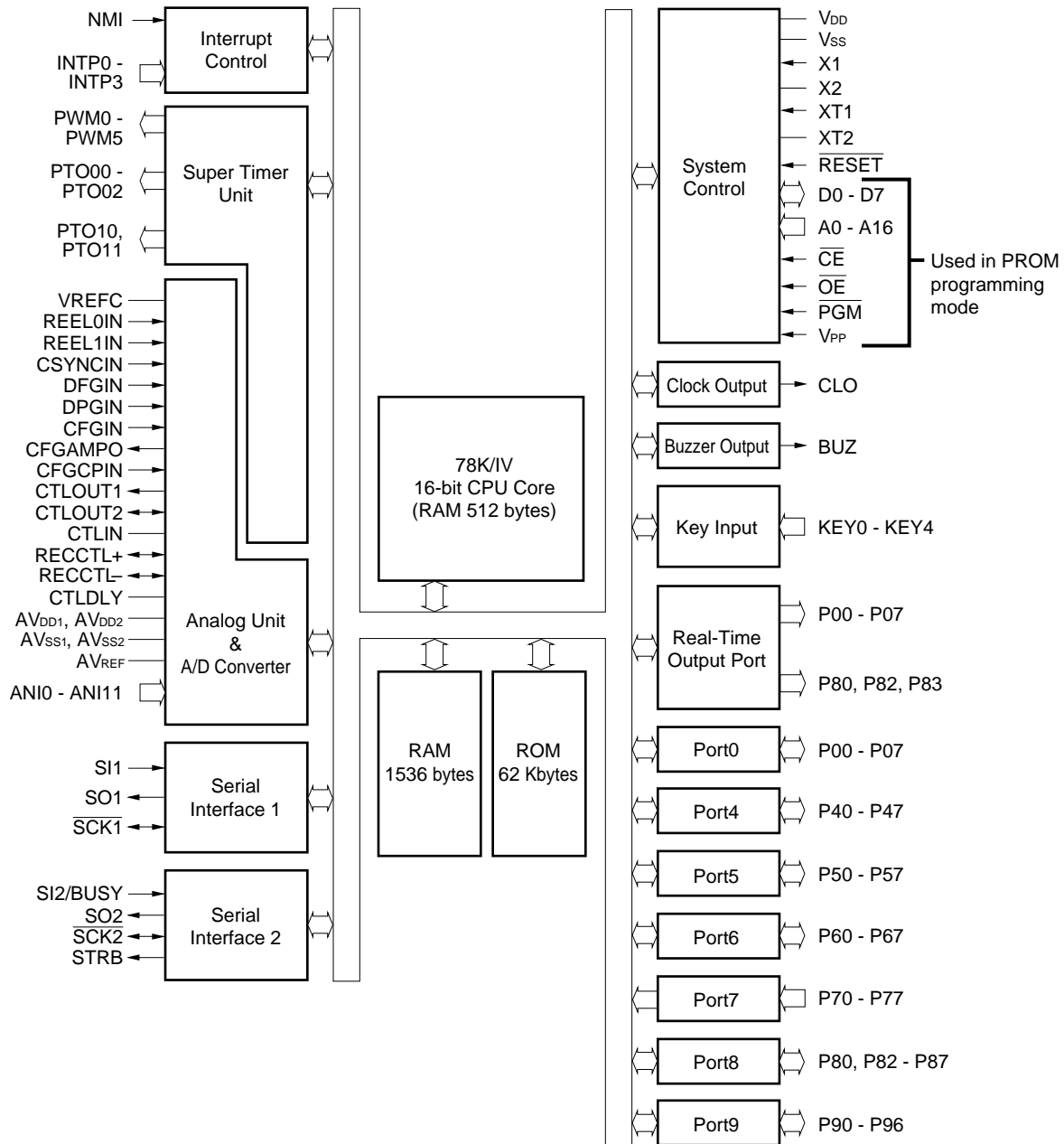
- 100-pin plastic QFP (14 × 20 mm)  
μPD78P4916GF-3BA



- Cautions** (L) : Connect to V<sub>ss</sub> via pull-down resistors individually.  
 V<sub>ss</sub> : Connect to ground.  
 OPEN : Leave this pin unconnected.  
 RESET : Apply low level.

A0 - A16	: Address Bus	RESET	: Reset
D0 - D7	: Data Bus	V <sub>DD</sub>	: Power Supply
CE	: Chip Enable	V <sub>PP</sub>	: Programming Power Supply
OE	: Output Enable	V <sub>SS</sub>	: Ground
PGM	: Program		

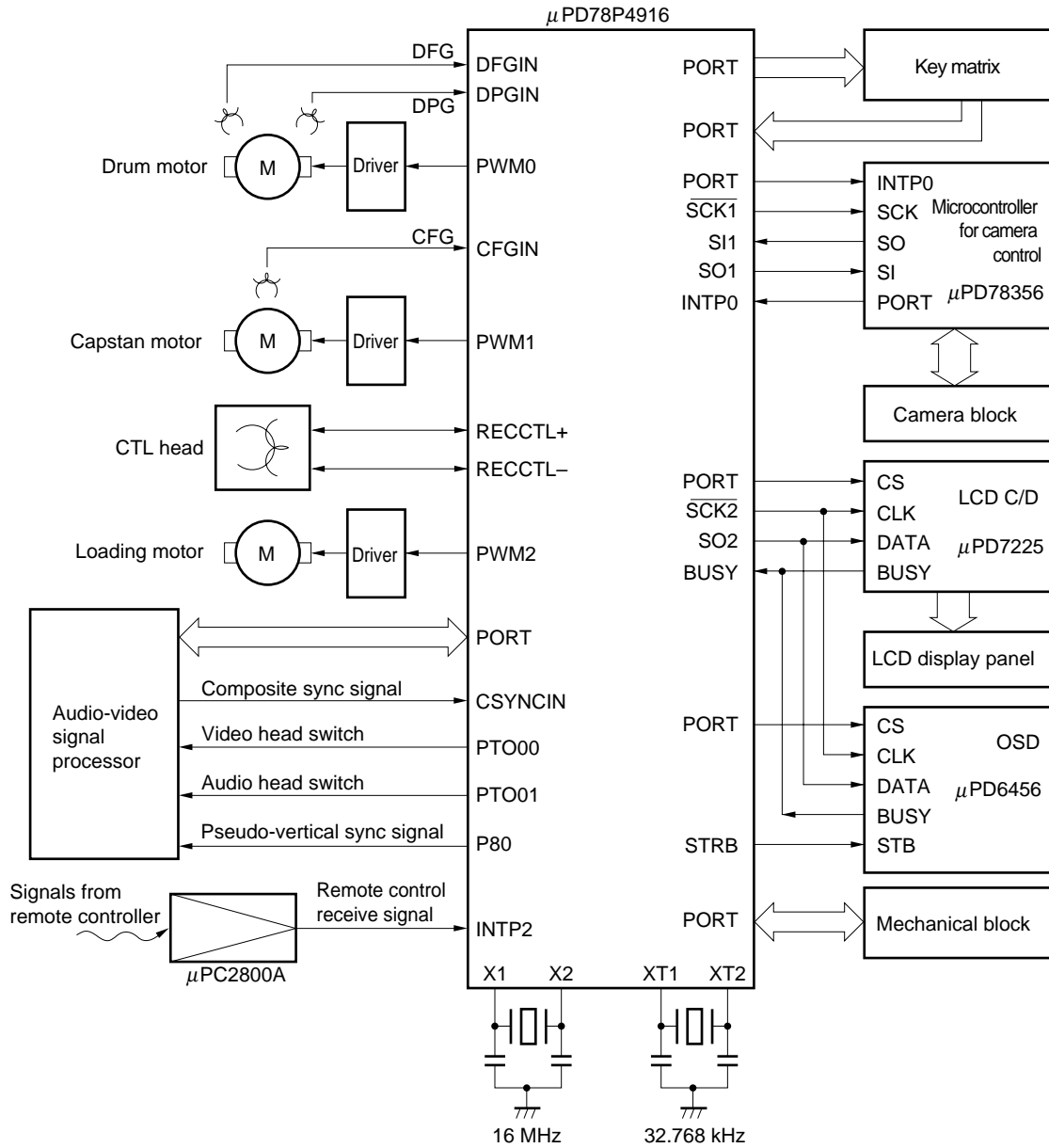
Internal Block Diagram



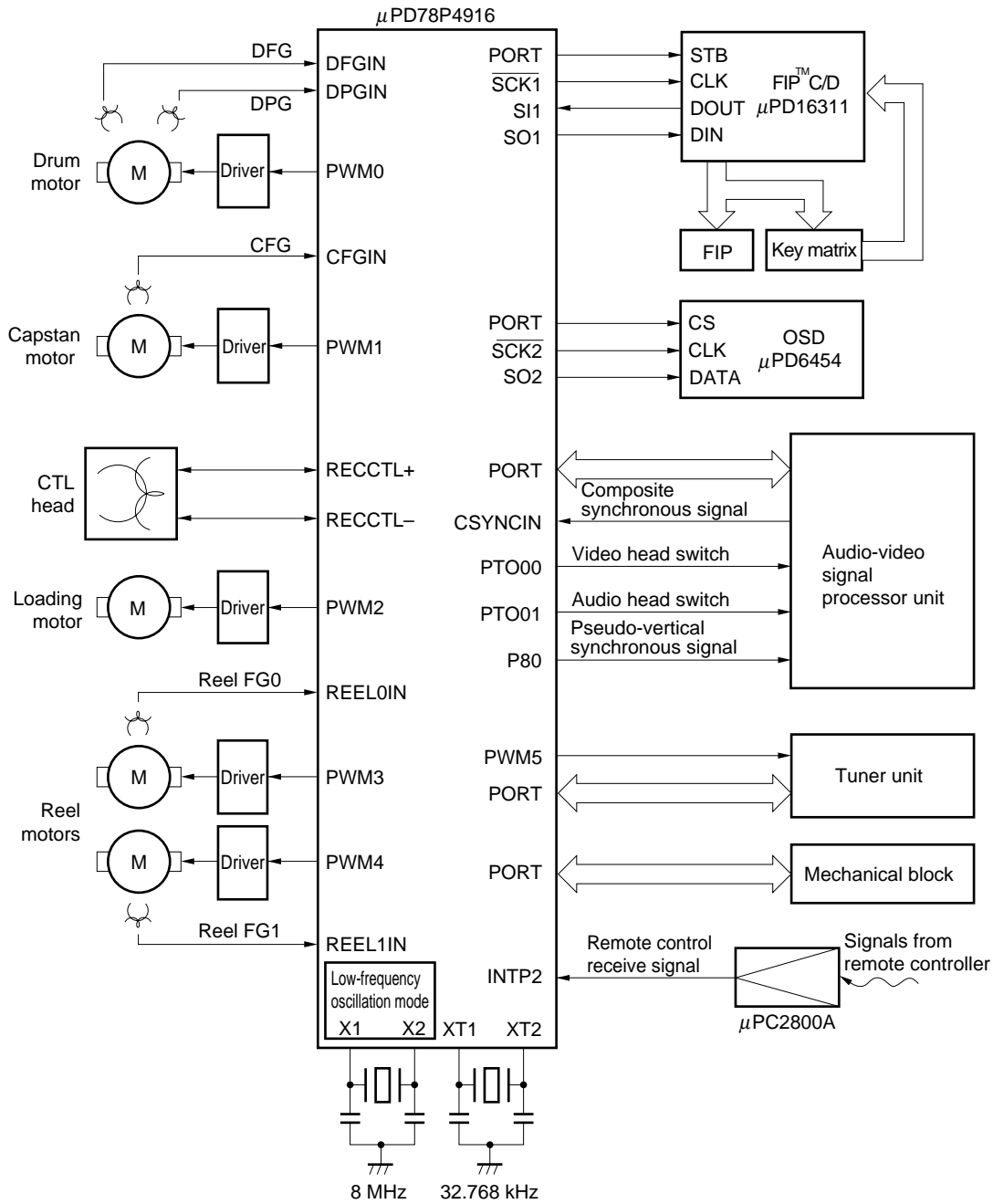


System Configuration Example

- Camcorder



• Deck-type VCR



**CONTENTS**

<b>1. DIFFERENCES BETWEEN μPD78P4916 AND μPD784915, μPD784916A .....</b>	<b>12</b>	
<b>2. PIN FUNCTION .....</b>	<b>13</b>	
2.1 Normal Operation Mode .....	13	
2.2 PROM Programming Mode ( $V_{PP} \geq 5\text{ V}$ , $\overline{\text{RESET}} = \text{L}$ ) .....	15	
2.3 Pin I/O Circuits and Recommended Connection of Unused Pins .....	16	*
<b>3. INTERNAL MEMORY CAPACITY SELECT REGISTER (IMS) .....</b>	<b>20</b>	
<b>4. PROM PROGRAMMING .....</b>	<b>21</b>	
4.1 Operation Mode .....	21	
4.2 PROM Write Procedure .....	23	
4.3 PROM Read Procedure .....	27	
4.4 Screening One-time PROM Versions .....	27	
<b>5. ELECTRICAL SPECIFICATIONS .....</b>	<b>28</b>	*
<b>6. PACKAGE DRAWING .....</b>	<b>46</b>	
<b>7. RECOMMENDED SOLDERING CONDITIONS .....</b>	<b>47</b>	*
<b>APPENDIX A. DEVELOPMENT TOOLS .....</b>	<b>48</b>	
<b>APPENDIX B. SOCKET DRAWING AND RECOMMENDED FOOTPRINT .....</b>	<b>50</b>	*
<b>APPENDIX C. RELATED DOCUMENTS .....</b>	<b>52</b>	

**\* 1. DIFFERENCES BETWEEN μPD78P4916 AND μPD784915, μPD784916A**

Other than the memory types, their capacities, and memory-related points, the functions of the three devices are identical: the μPD78P4916 incorporates a one-time PROM that is rewritable by users, while the μPD784915 and 784916A contain mask ROMs.

Table 1-1 shows the differences among these devices. Be sure to keep in mind these differences especially when debugging and pre-producing the application system with the PROM version and then mass-producing it with the mask-ROM version.

For the details about the CPU functions and on-chip hardware, refer to the μPD784915 Subseries User's Manual—Hardware (U10444E).

**Table 1-1. Differences among μPD784915 Subseries Devices**

Parameters	μPD78P4916	μPD784915	μPD784916A
Internal ROM	One-time PROM	Mask ROM	Mask ROM
	62 Kbytes <sup>Note</sup>	48 Kbytes	62 Kbytes
Internal RAM	2048 bytes <sup>Note</sup>	1280 bytes	1280 bytes
Internal memory size select register (IMS)	Provided	Not provided	Not provided
Pinouts	Pins related to PROM writing and reading are provided on the μPD78P4916.		
Other	There are differences in noise immunity, noise radiation, and some electrical specifications, because of the differences in circuit complexity and mask layout.		

**Note** The internal PROM and RAM capacities of the μPD78P4916 can be changed through its internal memory size select register (IMS).

**Caution** There are differences in noise immunity and noise radiation between the PROM and mask-ROM versions. When pre-producing the application set with the PROM version and then mass-producing it with the mask-ROM version, be sure to conduct sufficient evaluations for the set using consumer samples (not engineering samples) of the mask-ROM version.

2. PIN FUNCTION

2.1 Normal Operation Mode

(1) Port Pins

Pin Name	Input/Output	Alternate function	Description	
P00 - P07	I/O	Real-time output port	8-bit input/output port (Port0) <ul style="list-style-type: none"> <li>• Specifiable to input or output mode bitwise.</li> <li>• With software-specifiable on-chip pull-up resistors (P00 - P07).</li> </ul>	
P40 - P47	I/O	–	8-bit input/output port (Port4) <ul style="list-style-type: none"> <li>• Specifiable to input or output mode bitwise.</li> <li>• With software-specifiable on-chip pull-up resistors (P40 - P47).</li> </ul>	
P50 - P57	I/O	–	8-bit input/output port (Port5) <ul style="list-style-type: none"> <li>• Specifiable to input or output mode bitwise.</li> <li>• With software-specifiable on-chip pull-up resistors (P50 - P57).</li> </ul>	
P60	I/O	STRB/CLO	8-bit input/output port (Port6) <ul style="list-style-type: none"> <li>• Specifiable to input or output mode bitwise.</li> <li>• With software-specifiable on-chip pull-up resistors (P60 - P67).</li> </ul>	
P61		SCK1/BUZ		
P62		SO1		
P63		SI1		
P64		–		
P65		HWIN		
P66		PWM4		
P67		PWM5		
P70 - P77	Input	ANI0 - ANI7	8-bit input port (Port7)	
P80	I/O	Real-time output port	for Pseudo- $V_{SYNC}$ output	7-bit input/output port (Port8) <ul style="list-style-type: none"> <li>• Specifiable to input or output mode bitwise.</li> <li>• With software-specifiable on-chip pull-up resistors (P80, P82 - P87)</li> </ul>
P82			for HASW output	
P83			for ROTC output	
P84		PWM2		
P85		PWM3		
P86		PTO10		
P87		PTO11		
P90		I/O	ENV	
P91 - P95	KEY0 - KEY4			
P96	–			

(2) Non-Port Pins (1/2)

Pin Name	Input/Output	Alternate function	Description
REEL0IN	Input	INTP3	Reel FG inputs
REEL1IN		–	
DFGIN		–	Drum FG, PFG input (Three-value)
DPGIN		–	Drum PG input
CFGIN		–	Capstan FG input
CSYNCIN		–	Composite SYNC input
CFGCPIN		–	CFG comparator input
CFGAMPO	Output	–	CFG amplifier output
PTO00	Output	–	Programmable timer outputs of super timer unit
PTO01		–	
PTO02		–	
PTO10		P86	
PTO11		P87	
PWM0	Output	–	PWM outputs of super timer unit
PWM1		–	
PWM2		P84	
PWM3		P85	
PWM4		P66	
PWM5		P67	
HASW	Output	P82	Head amplifier switch output
ROTC	Output	P83	Chrominance rotate output
ENV	Input	P90	Envelope input
SI1	Input	P63	Serial data input (Serial interface channel 1)
SO1	Output	P62	Serial data output (Serial interface channel 1)
SCK1	I/O	P61/BUZ	Serial clock input/output (Serial interface channel 1)
SI2	Input	BUSY	Serial data input (Serial interface channel 2)
SO2	Output	–	Serial data output (Serial interface channel 2)
SCK2	I/O	–	Serial clock input/output (Serial interface channel 2)
BUSY	Input	SI2	Serial busy input (Serial interface channel 2)
STRB	Output	P60/CLO	Serial strobe output (Serial interface channel 2)
ANI0 - ANI7	Analog inputs	P70 - P77	Analog inputs for A/D converter
ANI8 - ANI11		–	
CTLIN	–	–	CTL amplifier input capacitor
CTLOUT1	Output	–	CTL amplifier output
CTLOUT2	I/O	–	Logic input/CTL amplifier output
RECCTL+, RECCTL–	I/O	–	RECCTL output/PBCTL input
CTLDLY	–	–	External time-constant connection (to rewrite RECCTL)
VREFC	–	–	AC ground for VREF amplifier
NMI	Input	–	Non-maskable interrupt request input

(2) Non-Port Pins (2/2)

Pin Name	Input/Output	Alternate function	Description
INTP0 - INTP2	Input	–	External interrupt request input
INTP3	Input	REEL0IN	
KEY0 - KEY4	Input	P91 - P95	Key input signal
CLO	Output	P60/STRB	Clock output
BUZ	Output	P61/SCK1	Buzzer output
HWIN	Input	P65	Hardware timer external input
RESET	Input	–	Reset input
X1	Input	–	Crystal resonator connection for main system clock oscillation
X2	–		
XT1	Input	–	Crystal resonator connection for subsystem clock oscillation Crystal resonator connection for clock oscillation of watch
XT2	–		
AV <sub>DD1</sub> , AV <sub>DD2</sub>	–	–	Positive power supply for analog unit
AV <sub>SS1</sub> , AV <sub>SS2</sub>	–	–	GND for analog unit
AV <sub>REF</sub>	–	–	Reference voltage input to A/D converter
V <sub>DD</sub>	–	–	Positive power supply to digital unit
V <sub>SS</sub>	–	–	GND of digital unit
IC	–	–	Internally connected. Connect directly to V <sub>SS</sub> .

2.2 PROM Programming Mode (V<sub>PP</sub> ≥ 5 V, RESET = L)

Pin name	Input/output	Function
V <sub>PP</sub>	–	Set PROM programming mode High voltage applied at program write/verify operation
RESET	Input	Low level input for setting PROM programming mode
A0 - A16		Address input
D0 - D7	I/O	Data input/output
PGM	Input	Program inhibit input in PROM programming mode
CE		PROM enable input / programming pulse input
OE		Read strobe input to PROM
V <sub>DD</sub>	–	Positive power supply
V <sub>SS</sub>		GND potential

**\* 2.3 Pin I/O Circuits and Recommended Connection of Unused Pins**

Table 2-1 shows the input/output circuit types of the device's pins and the recommended connection of the pins which are unnecessary to the user's application. The circuit diagrams for the I/O circuits are shown in Figure 2-1.

**Table 2-1. Pin I/O Circuits and Recommended Connection of Unused Pins (1/2)**

Pins	I/O circuit types	Direction	Recommended connection of unused pins	
P00-P07	5-A	I/O	Input mode: Connect to V <sub>DD</sub> . Output mode: Leave unconnected.	
P40-P47				
P50-P57				
P60/STRB/CLO				
P61/SCK1/BUZ				8-A
P62/SO1				5-A
P63/SI1				8-A
P64				5-A
P65/HWIN				8-A
P66/PWM4				5-A
P67/PWM5				
P70/ANI0-P77/ANI7	9	Input	Connect to V <sub>SS</sub> .	
P80	5-A	I/O	Input mode: Connect to V <sub>DD</sub> . Output mode: Leave unconnected.	
P82/HASW				
P83/ROTC				
P84/PWM2				
P85/PWM3				
P86/PTO10				
P87/PTO11				
P90/ENV				
P91/KEY0-P95/KEY4				8-A
P96				5-A
SI2/BUSY				2-A
SO2	4	Output	High-impedance mode: Connect to V <sub>SS</sub> via a pull-down resistor. Otherwise: Leave unconnected.	
SCK2	8-A	I/O	Input mode: Connect to V <sub>DD</sub> . Output mode: Leave unconnected.	
ANI8-ANI11	7	Input	Connect to V <sub>SS</sub> .	
RECCTL+, RECCTL-	—	I/O	When ENCTL = 0 and ENREC = 0: Connect to V <sub>SS</sub> .	

**Remark** ENCTL: Bit 1 of the amplifier control register (AMPC)  
ENREC: Bit 7 of the amplifier mode register 0 (AMPM0)



Table 2-1. Pin I/O Circuits and Recommended Connection of Unused Pins (2/2)

Pins	I/O circuit types	Direction	Recommended connection of unused pins
DFGIN	—	Input	ENDRUM = 0: Connect to V <sub>SS</sub> .
DPGIN			ENDRUM = 0, or ENDRUM = 1 and SELPGSEPA = 0: Connect to V <sub>SS</sub> .
CFGIN, CFGCPIN			ENCAP = 0: Connect to V <sub>SS</sub> .
CSYNCIN			ENCSYN = 0: Connect to V <sub>SS</sub> .
REEL0IN/INTP3, REEL1IN			ENREEL = 0: Connect to V <sub>SS</sub> .
CTLOUT1	—	Output	Leave unconnected.
CTLOUT2	—	I/O	When ENCTL and ENCOMP = 0 and 0: Connect to V <sub>SS</sub> . ENCTL = 1: Leave unconnected.
CFGAMPO	—	Output	Leave unconnected.
CTLIN	—	—	When ENCTL = 0: Leave unconnected.
VREFC			When ENCTL, ENCAP, and ENCOMP = 0, 0, and 0: Leave unconnected.
CTLDLY			Leave unconnected.
PWM0, PWM1	3	Output	Leave unconnected.
PTO00-PTO02			
NMI	2	Input	Connect to V <sub>DD</sub> .
INTP0			Connect to V <sub>DD</sub> or V <sub>SS</sub> .
INTP1, INTP2	2-A	Input	Connect to V <sub>DD</sub> .
AV <sub>DD1</sub> , AV <sub>DD2</sub>	—	—	Connect to V <sub>DD</sub> .
AV <sub>REF</sub> , AV <sub>SS1</sub> , AV <sub>SS2</sub>			Connect to V <sub>SS</sub> .
RESET	2	—	—
XT1	—	—	Connect to V <sub>SS</sub> .
XT2			Leave unconnected.
IC			Connect directly to V <sub>SS</sub> .

**Remark**

ENDRUM: Bit 2 of the amplifier control register (AMPC)

SELPGSEPA: Bit 2 of the amplifier mode register 0 (AMPM0)

ENCAP: Bit 3 of the amplifier control register (AMPC)

ENCSYN: Bit 5 of the amplifier control register (AMPC)

ENREEL: Bit 6 of the amplifier control register (AMPC)

ENCTL: Bit 1 of the amplifier control register (AMPC)

ENCOMP: Bit 4 of the amplifier control register (AMPC)

Figure 2-1. Pin I/O Circuit Diagrams (1/2)

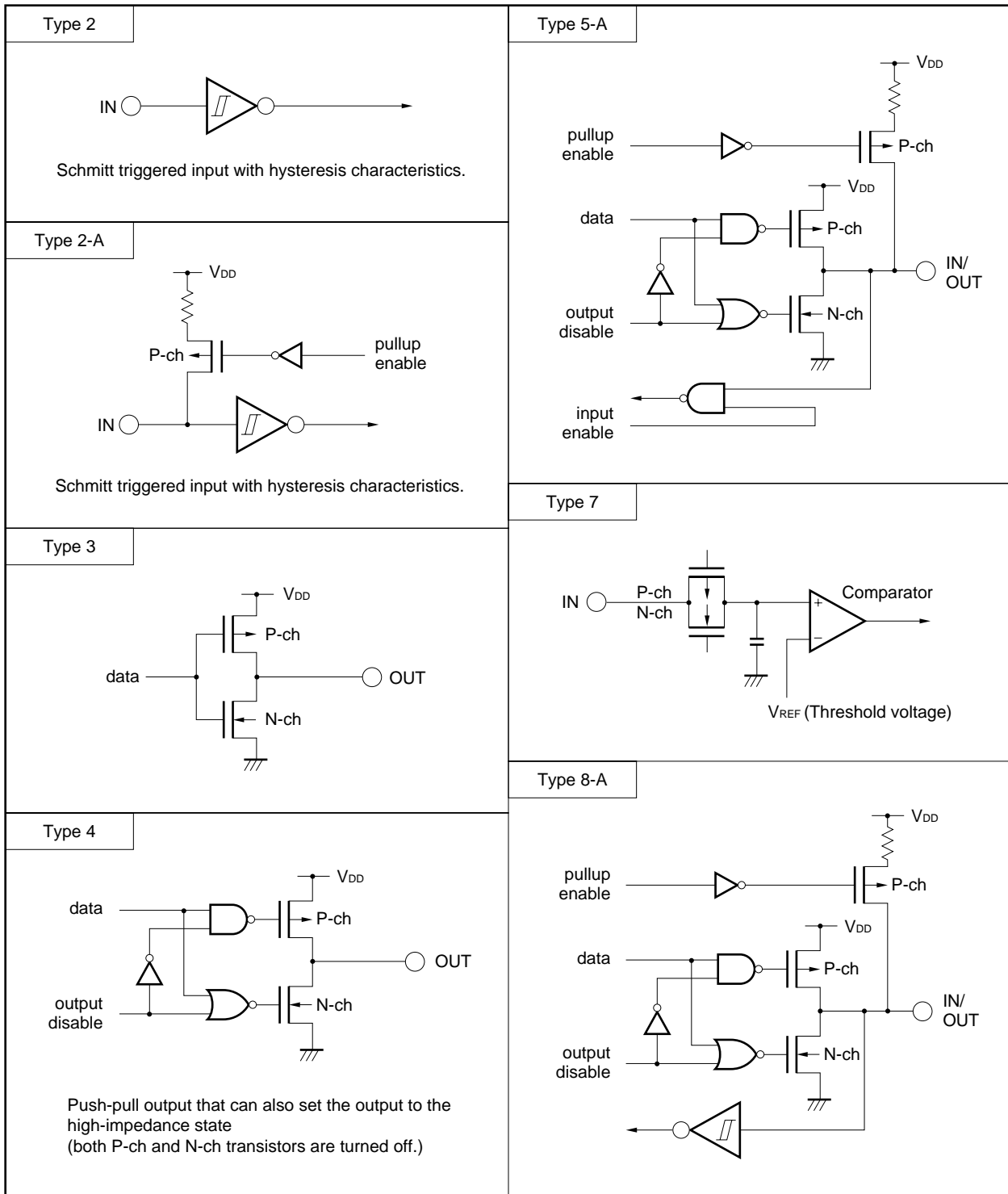
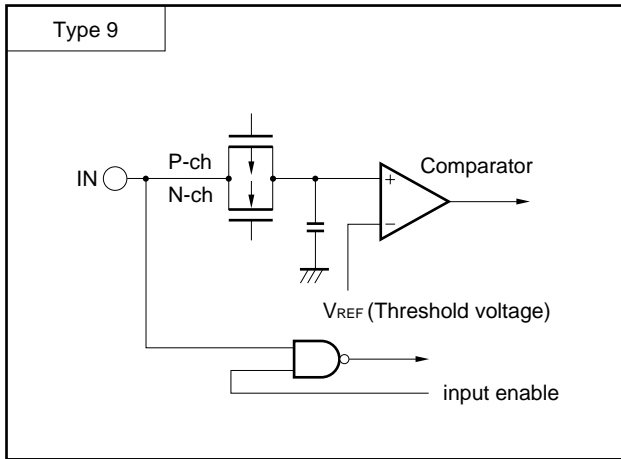


Figure 2-1. Pin I/O Circuit Diagrams (2/2)



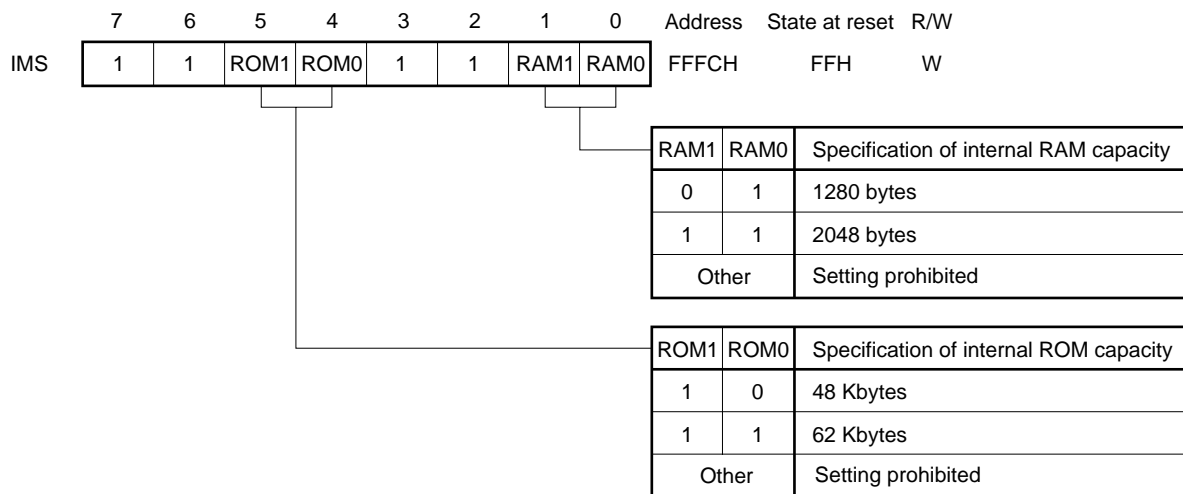
### 3. INTERNAL MEMORY CAPACITY SELECT REGISTER (IMS)

Internal memory capacity select register (IMS) specifies the effective area of on-chip memory (PROM, RAM) of the μPD78P4916. Setting this register is required when the capacity of the ROM or RAM in the mask version is smaller than that of the μPD78P4916. If the memory capacity of the μPD78P4916 is appropriately defined using this register, bugs in application programs due to accessing an address beyond the memory capacity of the actual chip can be avoided.

The IMS register is write-only register. To write this register, use the 8-bit manipulation instruction.

The register is initialized to FFH by  $\overline{\text{RESET}}$  input (ROM: 62 Kbytes, RAM: 2048 bytes).

\* **Figure 3-1. Internal Memory Capacity Select Register (IMS) Format**



**Caution** The μPD78P4916 has the IMS and the μPD784915 and 784916A do not have it. However, if a write instruction to IMS is executed in the μPD784915 or 784916A, it does not cause conflicts or malfunctions.

#### 4. PROM PROGRAMMING

The μPD78P4916 has on-chip 62-Kbyte PROM as the program memory. The PROM programming mode is entered by setting V<sub>DD</sub>, IC/V<sub>PP</sub>, and  $\overline{\text{RESET}}$  pins as specified. For the settings of the unused pins in this mode, refer to the drawing of “(2) PROM Programming Mode” in the section “Pin Configuration (Top View)”.

##### 4.1 Operation Mode

The PROM programming mode is entered by applying +5 V or +12 V to the IC/V<sub>PP</sub> pin, +5 V or +6.5 V to the V<sub>DD</sub> pins, and low-level voltage to the  $\overline{\text{RESET}}$  pin. Table 4-1 shows the operation mode specified by the  $\overline{\text{CE}}$ ,  $\overline{\text{OE}}$ , and PGM pins.

It is possible to read the contents of PROM by setting up read operation mode.

**Table 4-1. Operation Mode of PROM Programming**

Operation mode	Pins						
	$\overline{\text{RESET}}$	IC/V <sub>PP</sub>	V <sub>DD</sub>	$\overline{\text{CE}}$	$\overline{\text{OE}}$	PGM	D0 - D7
Page data latch	L	+12.5 V	+6.5 V	H	L	H	Data input
Page write				H	H	L	High impedance
Byte write				L	H	L	Data input
Program verify				L	L	H	Data output
Program inhibit				×	H	H	High impedance
				×	L	L	
Read	+5 V	+5 V	L	L	H	Data output	
Output disable			L	H	×	High impedance	
Standby			H	×	×	High impedance	

**Remark** × : Low or high level

**(1) Read mode**

By setting  $\overline{CE} = L$  and  $\overline{OE} = L$ , the device enters the read mode.

**(2) Output disable mode**

By setting  $\overline{OE} = H$ , the device enters the output disable mode, where data output pins go to high impedance state.

Therefore it is possible to read data from a specified device by enabling only the  $\overline{OE}$  pin of the device to be read, if two or more  $\mu$ PD78P4916s are connected to a data bus.

**(3) Standby mode**

By setting  $\overline{CE} = H$ , the device enters the Standby mode.

In this mode, data output pins go to high impedance state regardless of the  $\overline{OE}$  pin condition.

**(4) Page data latch mode**

By setting  $\overline{CE} = H$ ,  $\overline{PGM} = H$ , and  $\overline{OE} = L$  at the beginning of page programming mode, the device enters the page data latch mode.

In this mode, 4-byte data are latched in page units (consisting of 4 bytes) to internal address/data latch circuit.

**(5) Page programming mode**

After one-page data (consisting of 4 bytes) and their address are latched in the page data latch mode, the page programming operation is executed by applying 0.1-ms programming pulse (active low) to the  $\overline{PGM}$  pin under  $\overline{CE} = H$ ,  $\overline{OE} = H$  conditions. Following that operation, the programming data is verified by setting  $\overline{CE} = L$  and  $\overline{OE} = L$ .

When data is not programmed by one programming pulse, the write and verify operations are repeated X times ( $X \leq 10$ ).

**(6) Byte programming mode**

Applying 0.1-ms programming pulse (active low) to the  $\overline{PGM}$  pin under  $\overline{CE} = L$  and  $\overline{OE} = H$  condition, byte programming operation is executed. Next, the programming data is verified by setting  $\overline{OE} = L$ .

When data is not programmed by one programming pulse, the write and verify operations are repeated X times ( $X \leq 10$ ).

**(7) Program verify mode**

By setting  $\overline{CE} = L$ ,  $\overline{PGM} = H$ , and  $\overline{OE} = L$ , the device enters the program verify mode. Check whether data is programmed correctly or not in this mode after write operation.

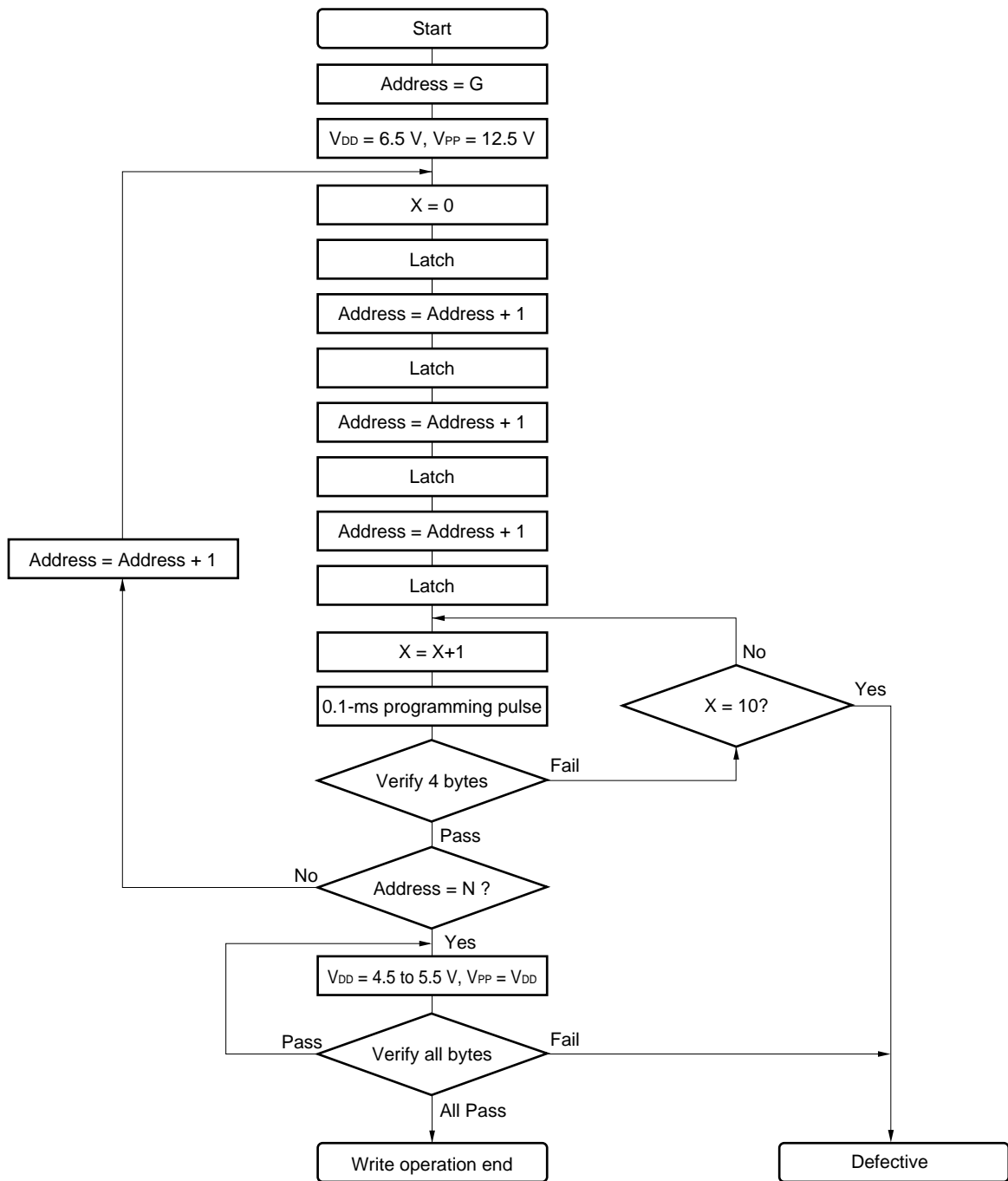
**(8) Program inhibit mode**

When the  $\overline{OE}$  pins,  $V_{PP}$  pins, and D0-D7 pins of two or more  $\mu$ PD78P4916s are connected in parallel, use program inhibit mode to write data to one of those devices.

Programming is executed in the page programming mode or byte programming mode as mentioned above. At that time, data is not programmed to a device for which high level voltage is applied to the  $\overline{PGM}$  pin.

4.2 PROM Write Procedure

Figure 4-1. Flowchart in Page Programming Mode



- Remarks 1. G = Start address  
 2. N = End address of the program

Figure 4-2. Operation Timing in Page Programming Mode

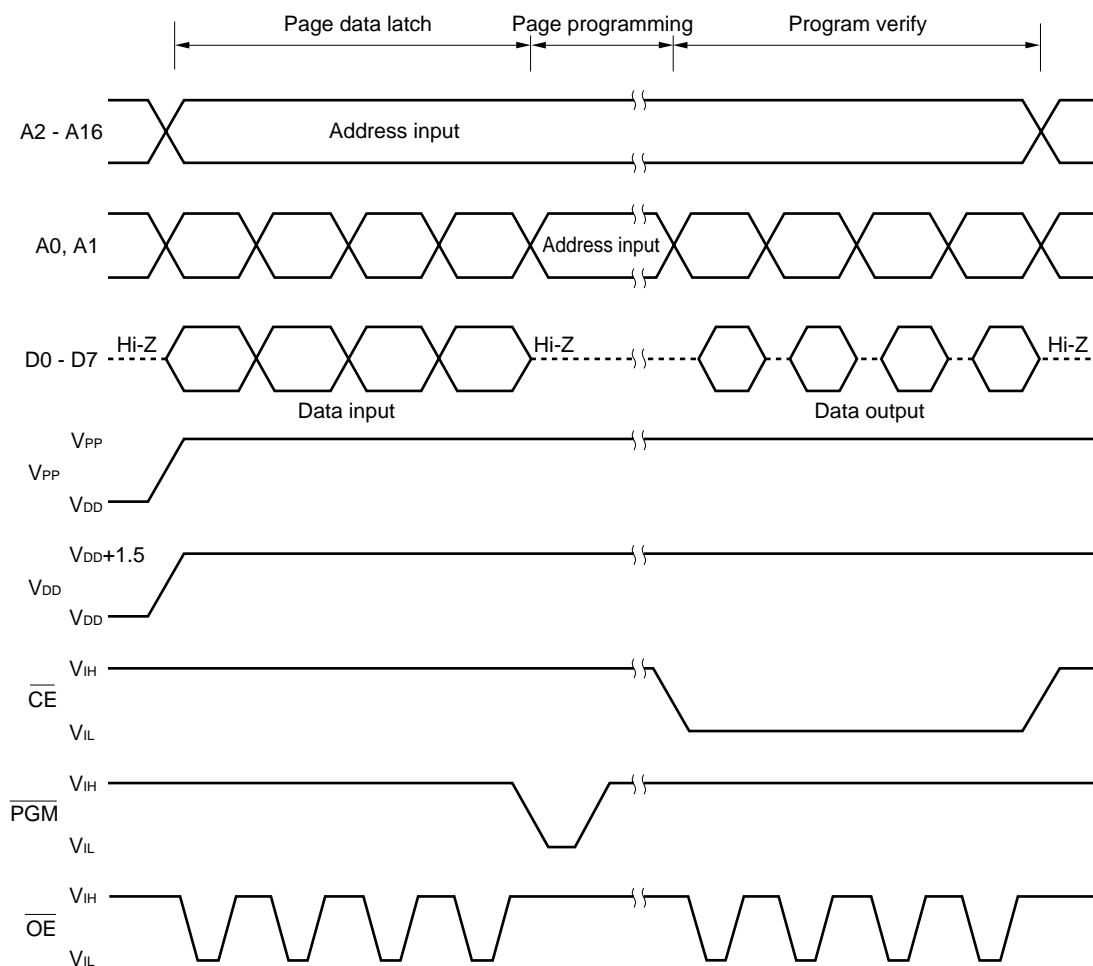
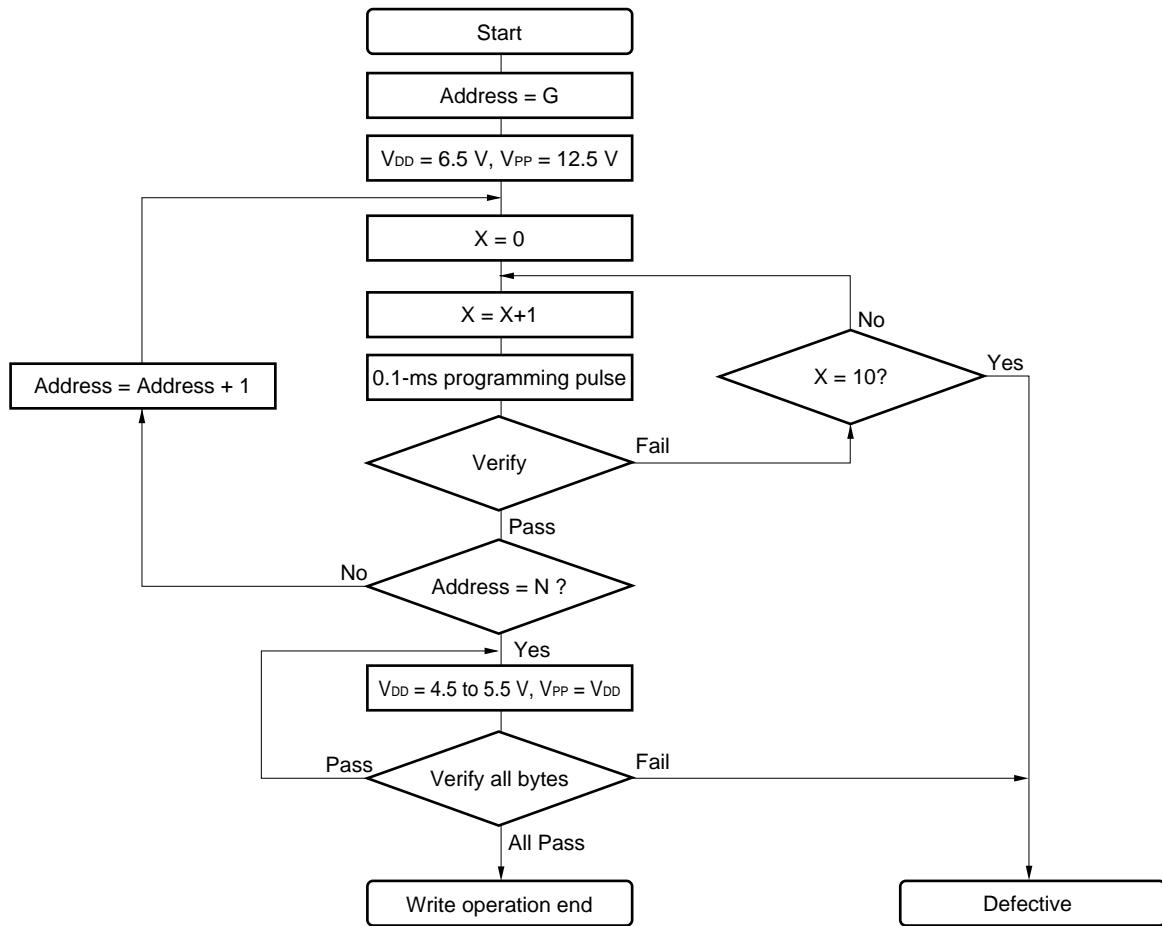


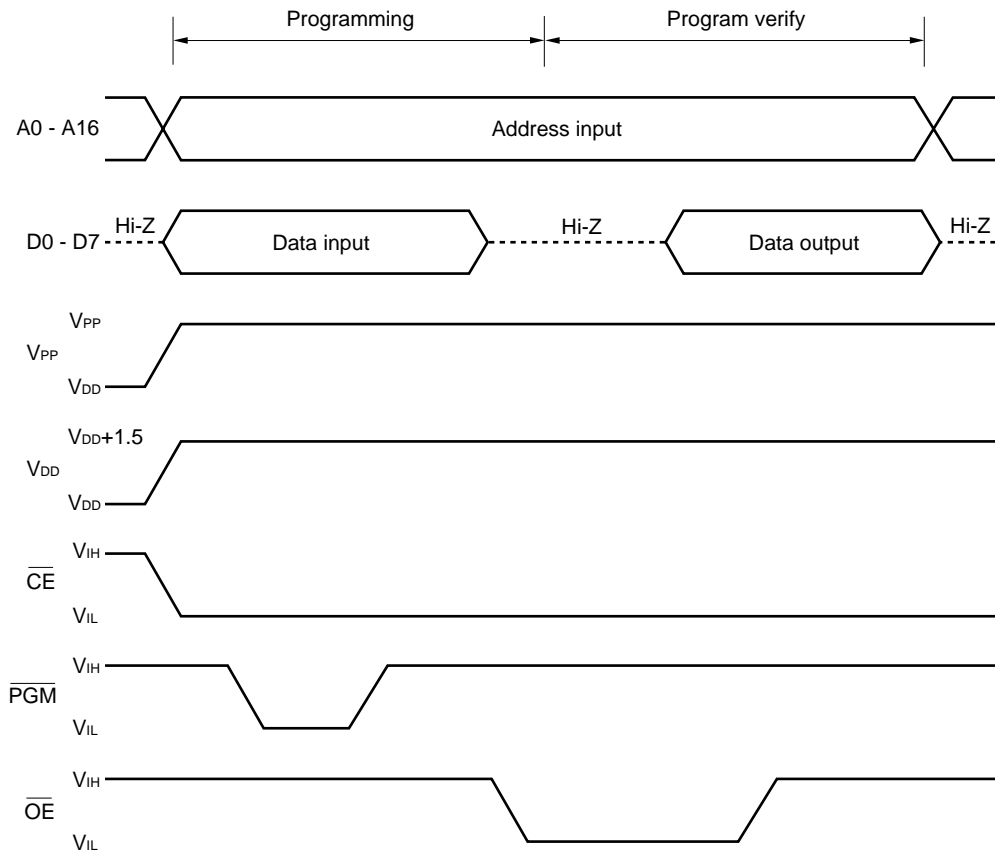


Figure 4-3. Flowchart in Byte Programming Mode



- Remarks**
1. G = Start address
  2. N = End address of the program

Figure 4-4. Operation Timing in Byte Programming Mode



- Cautions**
1. Apply voltage to V<sub>DD</sub> before applying voltage to V<sub>PP</sub>, and cut off V<sub>DD</sub> voltage after V<sub>PP</sub> voltage is cut off.
  2. The voltage including overshoot applied to V<sub>PP</sub> pin must be kept less than +13.5 V.
  3. If a device is inserted or removed while +12.5 V is applied to V<sub>PP</sub> pin, it may be adversely affected in reliability.

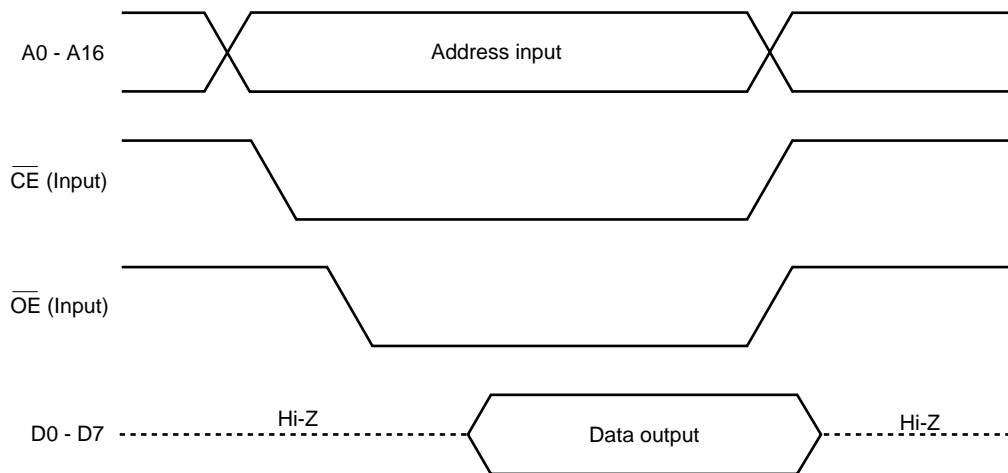
### 4.3 PROM Read Procedure

The contents of PROM can be read onto external data bus (D0-D7) as described below:

- (1) Fix  $\overline{\text{RESET}}$  pin to low and supply +5 V to  $V_{PP}$  pin. Connect other unused pins as specified in "(2) PROM Programming Mode" in section "Pin Configuration (Top View)."
- (2) Supply +5 V to the  $V_{DD}$  and  $V_{PP}$  pins.
- (3) Input the address of the data to be read to the A0-A16 pins.
- (4) Enter the read mode ( $\overline{\text{CE}} = \text{L}$ ,  $\overline{\text{OE}} = \text{L}$ ).
- (5) Output data to D0-D7 pins.

The above operation timing from (2) to (5) is shown in Figure 4-5.

Figure 4-5. PROM Read Timing



### 4.4 Screening One-time PROM Versions

The one-time PROM version ( $\mu\text{PD78P4916GF-3BA}$ ) cannot be completely tested by NEC for shipment because of its structure. For screening, it is recommended to verify PROM after storing the necessary data under the following conditions:

Storage Temperature	Storage Time
125 °C	24 hours

\* 5. ELECTRICAL SPECIFICATIONS

Absolute Maximum Ratings (T<sub>A</sub> = 25 °C)

Parameter	Symbol	Conditions	Ratings	Unit
Supply voltage	V <sub>DD</sub>	V <sub>DD</sub> - AV <sub>DD1</sub> ≤ 0.5 V	-0.5 to +7.0	V
	AV <sub>DD1</sub>	V <sub>DD</sub> - AV <sub>DD2</sub> ≤ 0.5 V	-0.5 to +7.0	V
	AV <sub>DD2</sub>	AV <sub>DD1</sub> - AV <sub>DD2</sub> ≤ 0.5 V	-0.5 to +7.0	V
	AV <sub>SS1</sub>		-0.5 to +0.5	V
	AV <sub>SS2</sub>		-0.5 to +0.5	V
Input voltage	V <sub>I</sub>		-0.5 to V <sub>DD</sub> +0.5	V
Analog input voltage (ANI0-ANI11)	V <sub>IAN</sub>	V <sub>DD</sub> ≥ AV <sub>DD2</sub>	-0.5 to AV <sub>DD2</sub> +0.5	V
		V <sub>DD</sub> < AV <sub>DD2</sub>	-0.5 to V <sub>DD</sub> +0.5	V
Output voltage	V <sub>O</sub>		-0.5 to V <sub>DD</sub> +0.5	V
Output current, low	I <sub>OL</sub>	Per pin	15	mA
		Total of all output pins	100	mA
Output current, high	I <sub>OH</sub>	Per pin	-10	mA
		Total of all output pins	-50	mA
Operating ambient temperature	T <sub>A</sub>		-10 to +70	°C
Storage temperature	T <sub>stg</sub>		-65 to +150	°C

**Caution** If any of the above parameters exceeds the absolute maximum ratings, even momentarily, device reliability may be impaired. The absolute maximum ratings are values that may physically damage the product. Be sure to use the product within the ratings.

Operating Conditions

Clock frequency	Operating ambient temperature (T <sub>A</sub> )	Operating condition	Supply voltage (V <sub>DD</sub> )
4 MHz ≤ f <sub>xx</sub> ≤ 16 MHz	-10 to +70 °C	All functions	+4.5 to +5.5 V
		CPU function only	+4.0 to +5.5 V
32 kHz ≤ f <sub>XT</sub> ≤ 35 kHz		Subclock operation (CPU, watch, and Port functions only)	+2.7 to +5.5 V

**Oscillator Characteristics (Main Clock) ( $T_A = -10$  to  $+70$  °C,  $V_{DD} = AV_{DD} = 4.0$  to  $5.5$  V,  $V_{SS} = AV_{SS} = 0$  V)**

Resonator	Recommended circuit	Item	MIN.	MAX.	Unit
Crystal resonator		Oscillation frequency ( $f_{xx}$ )	4	16	MHz

**Oscillator Characteristics (Subclock) ( $T_A = -10$  to  $+70$  °C,  $V_{DD} = AV_{DD} = 2.7$  to  $5.5$  V,  $V_{SS} = AV_{SS} = 0$  V)**

Resonator	Recommended circuit	Item	MIN.	MAX.	Unit
Crystal resonator		Oscillation frequency ( $f_{xT}$ )	32	35	kHz

**Caution** When using the main system clock and subsystem clock oscillators, wiring in the area enclosed with the dotted lines should be carried out as follows to avoid an adverse effect from wiring capacitance:

- Wiring should be as short as possible.
- Wiring should not cross other signal lines.  
Wiring should not be placed close to a varying high current.
- The potential of the oscillator capacitor ground should be the same as  $V_{SS}$ .  
Do not ground wiring to a ground pattern in which high current flows.
- Do not fetch a signal from the oscillator.

As the amplification degree of the subsystem clock oscillator is low to reduce current consumption, pay particular attention to the wiring method.

DC Characteristics (T<sub>A</sub> = -10 to +70 °C, V<sub>DD</sub> = AV<sub>DD</sub> = 4.5 to 5.5 V, V<sub>SS</sub> = AV<sub>SS</sub> = 0 V)

Parameter	Symbol	Conditions		MIN.	TYP.	MAX.	Unit
Input voltage, low	V <sub>IL1</sub>	Other than pins indicated in <b>Note 1</b> below		0		0.3V <sub>DD</sub>	V
	V <sub>IL2</sub>	Pins indicated in <b>Note 1</b> below		0		0.2V <sub>DD</sub>	V
	V <sub>IL3</sub>	X1, X2		0		0.4	V
Input voltage, high	V <sub>IH1</sub>	Other than pins indicated in <b>Note 1</b> below		0.7V <sub>DD</sub>		V <sub>DD</sub>	V
	V <sub>IH2</sub>	Pins indicated in <b>Note 1</b> below		0.8V <sub>DD</sub>		V <sub>DD</sub>	V
	V <sub>IH3</sub>	X1, X2		V <sub>DD</sub> -0.5		V <sub>DD</sub>	V
Output voltage, low	V <sub>OL1</sub>	I <sub>OL</sub> = 5.0 mA (Pins listed in <b>Note 2</b> below)				0.6	V
	V <sub>OL2</sub>	I <sub>OL</sub> = 2.0 mA				0.45	V
	V <sub>OL3</sub>	I <sub>OL</sub> = 100 μA				0.25	V
Output voltage, high	V <sub>OH1</sub>	I <sub>OH</sub> = -1.0 mA		V <sub>DD</sub> -1.0			V
	V <sub>OH2</sub>	I <sub>OH</sub> = -100 μA		V <sub>DD</sub> -0.4			V
Input leakage current	I <sub>LI</sub>	0 ≤ V <sub>i</sub> ≤ V <sub>DD</sub>				±10	μA
Output leakage current	I <sub>LO</sub>	0 ≤ V <sub>o</sub> ≤ V <sub>DD</sub>				±10	μA
V <sub>DD</sub> power supply current	I <sub>DD1</sub>	Operation mode	f <sub>XX</sub> = 16 MHz f <sub>XX</sub> = 8 MHz (Low frequency oscillation mode) Internal main clock operation at 8 MHz		35	55	mA
			f <sub>XT</sub> = 32.768 kHz Subclock operation (CPU, Watch, Port) V <sub>DD</sub> = 2.7 V		0.9	1.2	mA
	I <sub>DD2</sub>	HALT mode	f <sub>XX</sub> = 16 MHz f <sub>XX</sub> = 8 MHz (Low frequency oscillation mode) Internal main clock operation at 8 MHz		15	27.5	mA
			f <sub>XT</sub> = 32.768 kHz Subclock operation (CPU, Watch, Port) V <sub>DD</sub> = 2.7 V		30	60	μA
Data retention voltage	V <sub>DDDR</sub>	STOP mode		2.5			V
Data retention current <sup>Note 3</sup>	I <sub>DDDR</sub>	STOP mode	Subclock oscillation		36	75	μA
		V <sub>DDDR</sub> = 5.0 V					
		STOP mode	Subclock oscillation		3.5	15	μA
V <sub>DDDR</sub> = 2.7 V							
STOP mode	Subclock suspended		1.5	10	μA		
V <sub>DDDR</sub> = 2.5 V							
Pull-up resistor	R <sub>L</sub>	V <sub>i</sub> = 0 V		25	55	110	kΩ

**Notes** 1.  $\overline{\text{RESET}}$ , IC, NMI, INTP0-INTP2, P61/ $\overline{\text{SCK1}}$ /BUZ, P63/SI1,  $\overline{\text{SCK2}}$ , SI2/BUSY, P65/HWIN, P91/KEY0-P95/KEY4.

2. P46, P47

3. When subclock is suspended at STOP mode, disconnect feedback resistor and connect XT1 pin to the V<sub>DD</sub> potential.

AC Characteristics

CPU and peripheral unit operation clocks (T<sub>A</sub> = -10 to +70 °C, V<sub>DD</sub> = AV<sub>DD</sub> = 4.5 to 5.5 V, V<sub>SS</sub> = AV<sub>SS</sub> = 0 V)

Parameter	Symbol	Conditions	TYP.	Unit
CPU operation clock cycle time	t <sub>CLK</sub>	f <sub>XX</sub> = 16 MHz V <sub>DD</sub> = AV <sub>DD</sub> = 4.0 to 5.5 V CPU function only	125	ns
		f <sub>XX</sub> = 16 MHz		
		f <sub>XX</sub> = 8 MHz, Low frequency oscillation mode (CC bit7 = 1)		
Peripheral unit operation clock cycle time	t <sub>CLK1</sub>	f <sub>XX</sub> = 16 MHz	125	ns
		f <sub>XX</sub> = 8 MHz, Low frequency oscillation mode (CC bit7 = 1)		

Serial interface

(1) SIO<sub>n</sub>: n = 1, 2 (T<sub>A</sub> = -10 to +70 °C, V<sub>DD</sub> = AV<sub>DD</sub> = 4.5 to 5.5 V, V<sub>SS</sub> = AV<sub>SS</sub> = 0 V)

Parameter	Symbol	Conditions		MIN.	MAX.	Unit
Serial clock cycle time	t <sub>CYsk</sub>	Input	External clock	1.0		μs
			Output	f <sub>CLK1</sub> /8	1.0	
		f <sub>CLK1</sub> /16		2.0		μs
		f <sub>CLK1</sub> /32		4.0		μs
		f <sub>CLK1</sub> /64		8.0		μs
		f <sub>CLK1</sub> /128		16		μs
		f <sub>CLK1</sub> /256	32		μs	
Serial clock high/low level width	t <sub>WskH</sub> t <sub>WskL</sub>	Input	External clock	420		ns
		Output	Internal clock	t <sub>CYsk</sub> /2-50		ns
SIn set-up time (to SCK <sub>n</sub> ↑)	t <sub>SSk</sub>			100		ns
SIn hold time (from SCK <sub>n</sub> ↑)	t <sub>HSSk</sub>			400		ns
SO <sub>n</sub> output delay time (from SCK <sub>n</sub> ↓)	t <sub>DSSk</sub>			0	300	ns

- Remarks 1.** f<sub>CLK1</sub>: Operation clock for peripheral unit (8 MHz)  
**2.** n = 1, 2

(2) Only SIO<sub>2</sub> (T<sub>A</sub> = -10 to +70 °C, V<sub>DD</sub> = AV<sub>DD</sub> = 4.5 to 5.5 V, V<sub>SS</sub> = AV<sub>SS</sub> = 0 V)

Parameter	Symbol	Conditions	MIN.	MAX.	Unit
SCK2(8) ↑ → STRB ↑	t <sub>DSTRB</sub>		t <sub>WskH</sub>	t <sub>CYsk</sub>	
Strobe high level width	t <sub>WSTRB</sub>		t <sub>CYsk</sub> -30	t <sub>CYsk</sub> +30	ns
BUSY setup time (to BUSY detection timing)	t <sub>SBUSY</sub>		100		ns
BUSY hold time (from BUSY detection timing)	t <sub>HBUSY</sub>		100		ns
Busy inactive → SCK2(1) ↓	t <sub>LBUSY</sub>			t <sub>CYsk</sub> +t <sub>WskH</sub>	

- Remarks 1.** The value in the parentheses following SCK2 indicates the sequential number of the SCK2.  
**2.** BUSY detection timing is (n + 2) × t<sub>CYsk</sub> (n = 0, 1,...) after SCK2(8) ↑.  
**3.** BUSY inactive → SCK2(1) ↓ is a value at the time data is already written in SIO<sub>2</sub>.

Other Operations (T<sub>A</sub> = -10 to +70 °C, V<sub>DD</sub> = AV<sub>DD</sub> = 4.5 to 5.5 V, V<sub>SS</sub> = AV<sub>SS</sub> = 0 V)

Parameter		Symbol	Conditions	MIN.	MAX.	Unit
Timer unit input low level width		t <sub>WCTL</sub>	at DFGIN, CFGIN, DPGIN, REEL0IN, REEL1IN logic level input	t <sub>CLK1</sub>		ns
Timer unit input high level width		t <sub>WCTH</sub>	at DFGIN, CFGIN, DPGIN, REEL0IN, REEL1IN logic level input	t <sub>CLK1</sub>		ns
Timer unit input signal valid edge input cycle		t <sub>PERIN</sub>	DFGIN, CFGIN and DPGIN input	2		μs
CSYNCIN low level width		t <sub>WCR1L</sub>	Digital noise eliminator not used	8t <sub>CLK1</sub>		ns
			Digital noise eliminator used (INTM2 bit 4 = 0)	108t <sub>CLK1</sub>		ns
			Digital noise eliminator used (INTM2 bit 4 = 1)	180t <sub>CLK1</sub>		ns
CSYNCIN high level width		t <sub>WCR1H</sub>	Digital noise eliminator not used	8t <sub>CLK1</sub>		ns
			Digital noise eliminator used (INTM2 bit 4 = 0)	108t <sub>CLK1</sub>		ns
			Digital noise eliminator used (INTM2 bit 4 = 1)	180t <sub>CLK1</sub>		ns
Digital noise eliminator	Eliminated pulse width	t <sub>WSEP</sub>	INTM2 bit 4 = 0		104t <sub>CLK1</sub>	ns
			INTM2 bit 4 = 1		176t <sub>CLK1</sub>	ns
	Passed pulse width		INTM2 bit 4 = 0	108t <sub>CLK1</sub>		ns
			INTM2 bit 4 = 1	180t <sub>CLK1</sub>		ns
NMI low level width		t <sub>WNIL</sub>	V <sub>DD</sub> = AV <sub>DD</sub> = 2.7 to 5.5 V	10		μs
NMI high level width		t <sub>WNIH</sub>	V <sub>DD</sub> = AV <sub>DD</sub> = 2.7 to 5.5 V	10		μs
INTP0 and INTP3 low level width		t <sub>WIPL0</sub>		2t <sub>CLK1</sub>		ns
INTP0 and INTP3 high level width		t <sub>WIPH0</sub>		2t <sub>CLK1</sub>		ns
INTP1, KEY0 - KEY4 low level width		t <sub>WIPL1</sub>	Other than in STOP mode	2t <sub>CLK1</sub>		ns
			When cancelling STOP mode	10		μs
INTP1, KEY0 - KEY4 high level width		t <sub>WIPH1</sub>	Other than in STOP mode	2t <sub>CLK1</sub>		ns
			When cancelling STOP mode	10		μs
INTP2 low level width		t <sub>WIPL2</sub>	Main clock operation in normal mode	Sampled at f <sub>CLK</sub>	2t <sub>CLK1</sub>	ns
				Sampled at f <sub>CLK</sub> /128	32 <sup>Note</sup>	μs
			Subclock operation in normal mode	Sampled at f <sub>CLK</sub>	61	μs
				Sampled at f <sub>CLK</sub> /128	7.9 <sup>Note</sup>	ms
			When cancelling STOP mode	10		μs
INTP2 high level width		t <sub>WIPH2</sub>	Main clock operation in normal mode	Sampled at f <sub>CLK</sub>	2t <sub>CLK1</sub>	ns
				Sampled at f <sub>CLK</sub> /128	32 <sup>Note</sup>	μs
			Subclock operation in normal mode	Sampled at f <sub>CLK</sub>	61	μs
				Sampled at f <sub>CLK</sub> /128	7.9 <sup>Note</sup>	ms
			When cancelling STOP mode	10		μs
RESET low level width		t <sub>WRSL</sub>		10		μs

**Note** If a high level or low level is input two times in succession during the sampling period, high level or low level is detected.

**Remark** t<sub>CLK1</sub>: Operation clock cycle time for peripheral unit (125 ns).



**Clock Output Operation (T<sub>A</sub> = -10 to +70 °C, V<sub>DD</sub> = AV<sub>DD</sub> = 4.5 to 5.5 V, V<sub>SS</sub> = AV<sub>SS</sub> = 0 V)**

Parameter	Symbol	Expression	MIN.	MAX.	Unit
CLO cycle time	t <sub>CYCL</sub>		250	2000	ns
CLO low level width	t <sub>CLL</sub>	t <sub>CYCL</sub> /2 ± 50	75	1050	ns
CLO high level width	t <sub>CLH</sub>	t <sub>CYCL</sub> /2 ± 50	75	1050	ns
CLO rising time	t <sub>CLR</sub>			50	ns
CLO falling time	t <sub>CLF</sub>			50	ns

**Data Retention Characteristics (T<sub>A</sub> = -10 to +70 °C, V<sub>DD</sub> = AV<sub>DD</sub> = 2.5 to 5.5 V, V<sub>SS</sub> = AV<sub>SS</sub> = 0 V)**

Parameter	Symbol	Conditions	MIN.	TYP.	MAX.	Unit
Input voltage, low	V <sub>IL</sub>	Pins listed in <b>Note</b> below	0		0.1V <sub>DDDR</sub>	V
Input voltage, high	V <sub>IH</sub>		0.9V <sub>DDDR</sub>		V <sub>DDDR</sub>	V

**Note**  $\overline{\text{RESET}}$ , IC, NMI, INTP0-INTP2, P61/ $\overline{\text{SCK1}}$ /BUZ, P63/SI1,  $\overline{\text{SCK2}}$ , SI2/BUSY, P65/HWIN, P91/KEY0-P95/KEY4

**Watch Function (T<sub>A</sub> = -10 to +70 °C, V<sub>DD</sub> = AV<sub>DD</sub> = 2.7 to 5.5 V, V<sub>SS</sub> = AV<sub>SS</sub> = 0 V)**

Parameter	Symbol	Conditions	MIN.	MAX.	Unit
Subclock oscillation retention voltage	V <sub>BDXT</sub>		2.7		V
Hardware watch function operation voltage	V <sub>DDW</sub>		2.7		V

**Subclock Oscillation Suspension Detection Flag (T<sub>A</sub> = -10 to +70 °C, V<sub>DD</sub> = AV<sub>DD</sub> = 4.5 to 5.5 V, V<sub>SS</sub> = AV<sub>SS</sub> = 0 V)**

Parameter	Symbol	Conditions	MIN.	MAX.	Unit
Oscillation suspension detection width	t <sub>OSCF</sub>		45		μs

**A/D Converter Characteristics (T<sub>A</sub> = -10 to +70 °C, V<sub>DD</sub> = AV<sub>DD</sub> = AV<sub>REF</sub> = 4.5 to 5.5 V, V<sub>SS</sub> = AV<sub>SS</sub> = 0 V)**

Parameter	Symbol	Conditions	MIN.	TYP.	MAX.	Unit
Resolution			8			bit
Total error		AV <sub>REF</sub> = V <sub>DD</sub>			2.0	%
Quantization error					±1/2	LSB
Conversion time	t <sub>CONV</sub>	ADM bit 4 = 0	160t <sub>CLK1</sub>			μs
		ADM bit 4 = 1	80t <sub>CLK1</sub>			μs
Sampling time	t <sub>SAMP</sub>	ADM bit 4 = 0	32t <sub>CLK1</sub>			μs
		ADM bit 4 = 1	16t <sub>CLK1</sub>			μs
Analog input voltage	V <sub>IAN</sub>		0		AV <sub>REF</sub>	V
Analog input impedance	Z <sub>AN</sub>			1000		MΩ
AV <sub>REF</sub> current	AI <sub>REF</sub>			0.4	1.2	mA

**VREF Amplifier (TA = 25 °C, VDD = AVDD = 5 V, VSS = AVSS = 0 V)**

Parameter	Symbol	Conditions	MIN.	TYP.	MAX.	Unit
Reference voltage	VREF		2.35	2.50	2.65	V
Charge current	ICHG	AMP0.0 is set to 1 for pins listed in <b>Note</b> below.	300			μA

**Note** RECCTL+, RECCTL-, CFGIN, CFGCPIN, DFGIN, DPGIN, CSYNCIN, REEL0IN, REEL1IN

**CTL Amplifier (TA = 25 °C, VDD = AVDD = 5 V, VSS = AVSS = 0 V)**

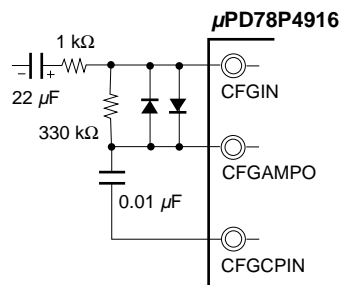
Parameter	Symbol	Conditions	MIN.	TYP.	MAX.	Unit
CTL+, – input resistance	RICTL		2	5	10	kΩ
Feedback resistance	RFCTL		20	50	100	kΩ
Bias resistance	RBCTL		20	50	100	kΩ
Minimum voltage gain	GCTLMIN		17	20	22	dB
Maximum voltage gain	GCTLMAX		71	75		dB
Gain switching step	SGAIN			1.77		dB
Common mode signal rejection	CMR	DC, Voltage gain: 20 dB		50		dB
Comparator set voltage for waveform regulation, high	VPBCTLHS		VREF+0.47	VREF+0.50	VREF+0.53	V
Comparator reset voltage for waveform regulation, high	VPBCLHR		VREF+0.27	VREF+0.30	VREF+0.33	V
Comparator set voltage for waveform regulation, low	VPBCTLLS		VREF–0.53	VREF–0.50	VREF–0.47	V
Comparator reset voltage for waveform regulation, low	VPBCTLLR		VREF–0.33	VREF–0.30	VREF–0.27	V
Comparator high voltage for CLT flag S	VFSH		VREF+1.00	VREF+1.05	VREF+1.10	V
Comparator low voltage for CLT flag S	VFSL		VREF–1.10	VREF–1.05	VREF–1.00	V
Comparator high voltage for CLT flag L	VFLH		VREF+1.40	VREF+1.45	VREF+1.50	V
Comparator low voltage for CLT flag L	VFLL		VREF–1.50	VREF–1.45	VREF–1.40	V

**CFG Amplifier (AC Coupling) (T<sub>A</sub> = 25 °C, V<sub>DD</sub> = AV<sub>DD</sub> = 5 V, V<sub>SS</sub> = AV<sub>SS</sub> = 0 V)**

Parameter	Symbol	Conditions	MIN.	TYP.	MAX.	Unit
Voltage gain 1	G <sub>CFG1</sub>	f <sub>i</sub> = 2 kHz, open loop	50			dB
Voltage gain 2	G <sub>CFG2</sub>	f <sub>i</sub> = 2 kHz, open loop	34			dB
CFGAMPO output current, high	I <sub>OHCFG</sub>	DC	-1			mA
CFGAMPO output current, low	I <sub>OLCFG</sub>	DC	0.4			mA
Comparator high voltage	V <sub>CFGH</sub>		V <sub>REF</sub> +0.09	V <sub>REF</sub> +0.12	V <sub>REF</sub> +0.15	V
Comparator low voltage	V <sub>CFGH</sub>		V <sub>REF</sub> -0.15	V <sub>REF</sub> -0.12	V <sub>REF</sub> -0.09	V
Duty precision	P <sub>DUTY</sub>	See <b>Note</b> below.	49.7	50.0	50.3	%

**Note** The following circuit and input signal conditions are assumed.

- Input signal: sine wave input (5 mV<sub>p-p</sub>), f<sub>i</sub> = 1 kHz
- Voltage gain: 50 dB



**DFG Amplifier (AC Coupling) (T<sub>A</sub> = 25 °C, V<sub>DD</sub> = AV<sub>DD</sub> = 5 V, V<sub>SS</sub> = AV<sub>SS</sub> = 0 V)**

Parameter	Symbol	Conditions	MIN.	TYP.	MAX.	Unit
Voltage gain	G <sub>DFG</sub>	f <sub>i</sub> = 900 Hz, open loop	50			dB
Feedback resistance	R <sub>DFG</sub>		160	400	640	kΩ
Input protect resistance	R <sub>IDFG</sub>			150		Ω
Comparator high voltage	V <sub>DFGH</sub>		V <sub>REF</sub> +0.07	V <sub>REF</sub> +0.10	V <sub>REF</sub> +0.14	V
Comparator low voltage	V <sub>DFGL</sub>		V <sub>REF</sub> -0.14	V <sub>REF</sub> -0.10	V <sub>REF</sub> -0.07	V

**Caution** The resistance of the pin to be connected to the DFGIN pin must be below 16 kΩ. If the resistance is higher than the limit, the DFG amplifier may oscillate.

**DPG Comparator (AC Coupling) (T<sub>A</sub> = 25 °C, V<sub>DD</sub> = AV<sub>DD</sub> = 5 V, V<sub>SS</sub> = AV<sub>SS</sub> = 0 V)**

Parameter	Symbol	Conditions	MIN.	TYP.	MAX.	Unit
Input impedance	Z <sub>IDPG</sub>		20	50	100	kΩ
Comparator high voltage	V <sub>DPGH</sub>		V <sub>REF</sub> +0.02	V <sub>REF</sub> +0.05	V <sub>REF</sub> +0.08	V
Comparator low voltage	V <sub>DPGL</sub>		V <sub>REF</sub> -0.08	V <sub>REF</sub> -0.05	V <sub>REF</sub> -0.02	V

**Three-value divider (T<sub>A</sub> = 25 °C, V<sub>DD</sub> = AV<sub>DD</sub> = 5 V, V<sub>SS</sub> = AV<sub>SS</sub> = 0 V)**

Parameter	Symbol	Conditions	MIN.	TYP.	MAX.	Unit
Input impedance	Z <sub>IPFG</sub>		20	50	100	kΩ
Comparator high voltage	V <sub>PF<sub>GH</sub></sub>		V <sub>REF</sub> +0.5	V <sub>REF</sub> +0.7	V <sub>REF</sub> +0.9	V
Comparator low voltage	V <sub>PF<sub>GL</sub></sub>		V <sub>REF</sub> -1.4	V <sub>REF</sub> -1.2	V <sub>REF</sub> -1.0	V

**CSYNC Comparator (AC Coupling) (T<sub>A</sub> = 25 °C, V<sub>DD</sub> = AV<sub>DD</sub> = 5 V, V<sub>SS</sub> = AV<sub>SS</sub> = 0 V)**

Parameter	Symbol	Conditions	MIN.	TYP.	MAX.	Unit
Input impedance	Z <sub>IC<sub>SYN</sub></sub>		20	50	100	kΩ
Comparator high voltage	V <sub>C<sub>SYNH</sub></sub>		V <sub>REF</sub> +0.07	V <sub>REF</sub> +0.10	V <sub>REF</sub> +0.13	V
Comparator low voltage	V <sub>C<sub>SYNL</sub></sub>		V <sub>REF</sub> -0.13	V <sub>REF</sub> -0.10	V <sub>REF</sub> -0.07	V

**Reel FG Comparator (AC Coupling) (T<sub>A</sub> = 25 °C, V<sub>DD</sub> = AV<sub>DD</sub> = 5 V, V<sub>SS</sub> = AV<sub>SS</sub> = 0 V)**

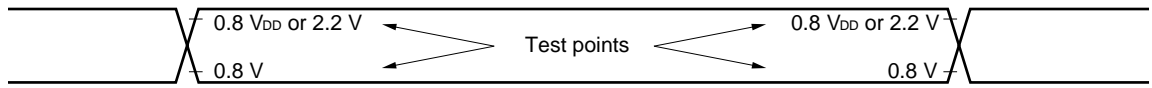
Parameter	Symbol	Conditions	MIN.	TYP.	MAX.	Unit
Input impedance	Z <sub>IR<sub>LFG</sub></sub>		20	50	100	kΩ
Comparator high voltage	V <sub>RL<sub>FGH</sub></sub>		V <sub>REF</sub> +0.02	V <sub>REF</sub> +0.05	V <sub>REF</sub> +0.08	V
Comparator low voltage	V <sub>RL<sub>FGL</sub></sub>		V <sub>REF</sub> -0.08	V <sub>REF</sub> -0.05	V <sub>REF</sub> -0.02	V

**RECCTL Driver (T<sub>A</sub> = 25 °C, V<sub>DD</sub> = AV<sub>DD</sub> = 5 V, V<sub>SS</sub> = AV<sub>SS</sub> = 0 V)**

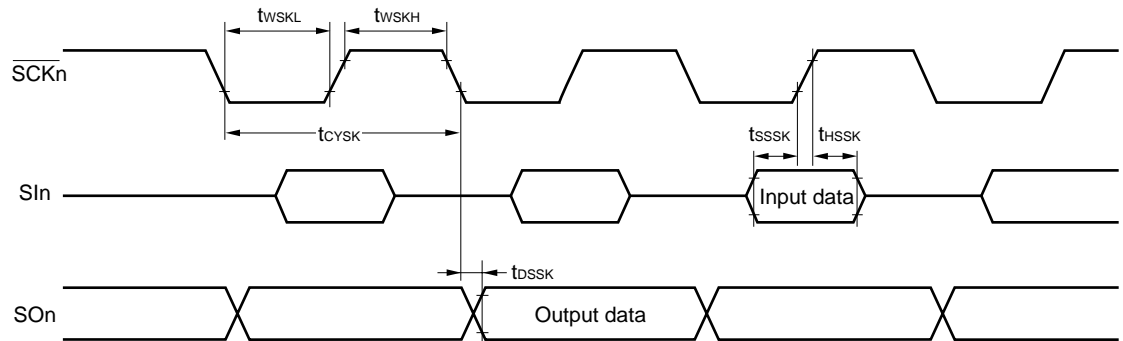
Parameter	Symbol	Conditions	MIN.	TYP.	MAX.	Unit
RECCTL+, - high level output voltage	V <sub>OH<sub>REC</sub></sub>	I <sub>OH</sub> = -4 mA	V <sub>DD</sub> -0.8			V
RECCTL+, - low level output voltage	V <sub>OL<sub>REC</sub></sub>	I <sub>OL</sub> = 4 mA			0.8	V
CTLDLY on-chip resistor	R <sub>CTL</sub>		40	70	140	kΩ
CTLDLY charge current	I <sub>OH<sub>CTL</sub></sub>	On-chip resistor disabled	-3			mA
CTLDLY discharge current	I <sub>OL<sub>CTL</sub></sub>		-3			mA

Timing Waveform

AC timing test point

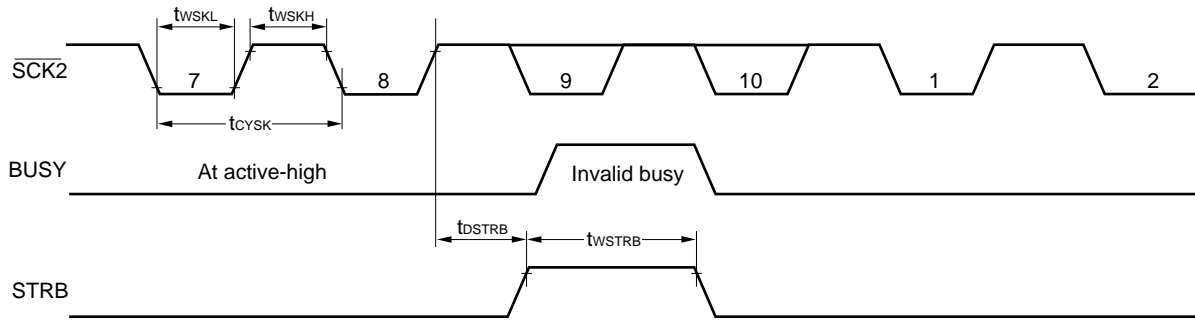


Serial Transfer Timing (SIO<sub>n</sub>: n = 1, 2)

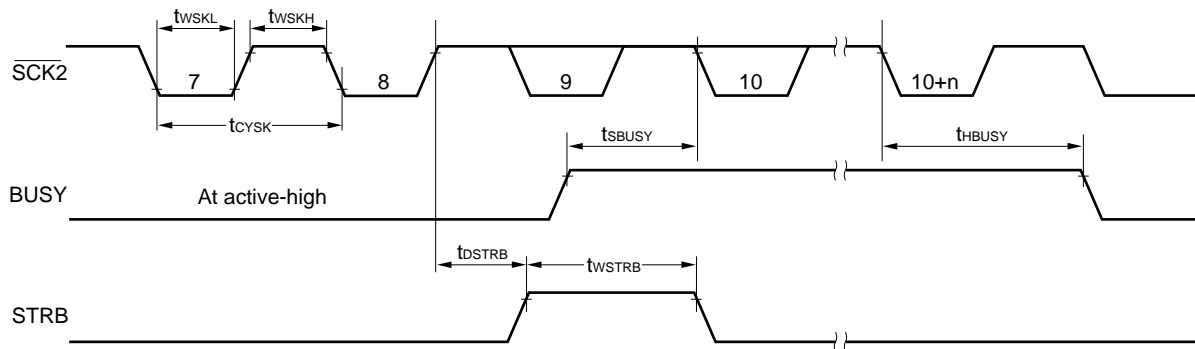


Serial Transfer Timing (Only SIO2)

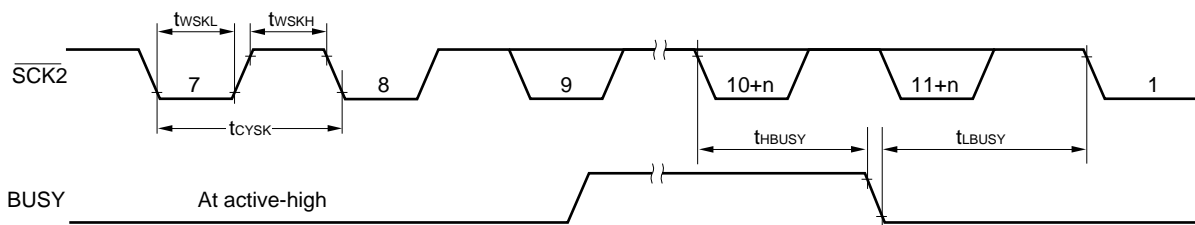
No busy processing



Continue busy processing

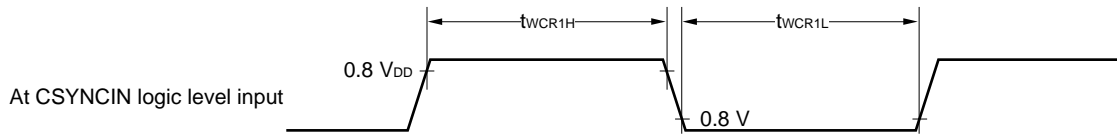
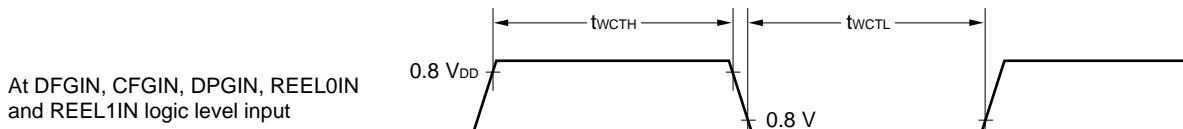


Terminate busy processing

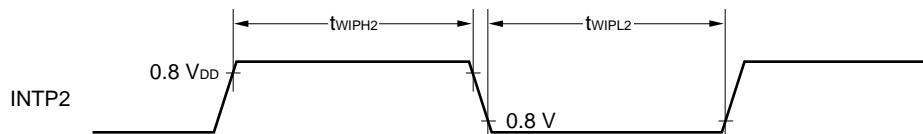
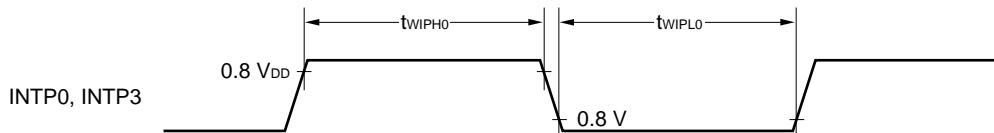
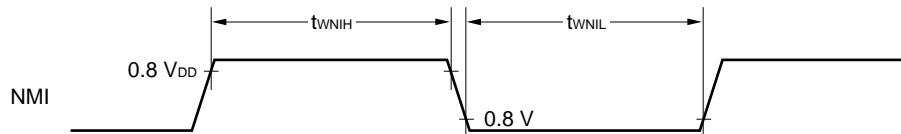


**Caution** Do not use busy control and strobe control whenever the external clock is selected as a serial clock.

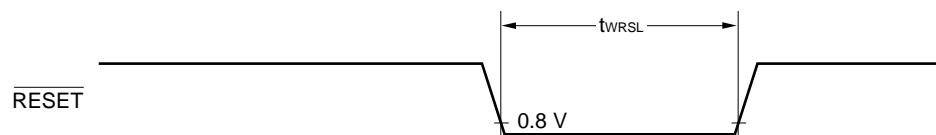
**Super timer unit input timing**



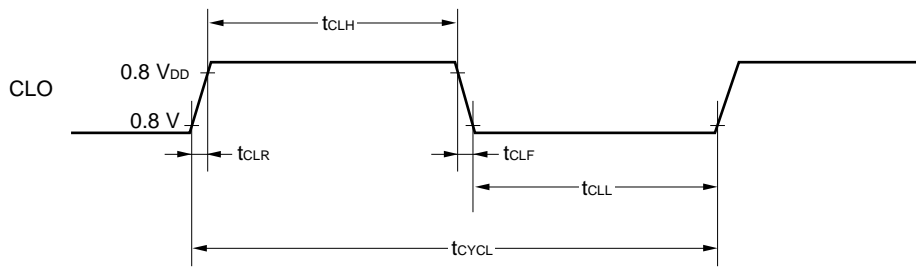
**Interrupt input timing**



**Reset input timing**



Clock output timing





DC Programming Characteristics (T<sub>A</sub> = +25 ± 5 °C, V<sub>SS</sub> = AV<sub>SS</sub> = 0 V)

Parameter	Symbol	Symbol <sup>Note 1</sup>	Conditions	MIN.	TYP.	MAX.	Unit
Input voltage, high	V <sub>IH</sub>	V <sub>IH</sub>		2.4		V <sub>DDP</sub> +0.3	V
Input voltage, low	V <sub>IL</sub>	V <sub>IL</sub>		-0.3		0.8	V
Input leakage current	I <sub>LIP</sub>	I <sub>LI</sub>	0 ≤ V <sub>I</sub> ≤ V <sub>DDP</sub> <sup>Note 2</sup>			±10	μA
Output voltage, high	V <sub>OH1</sub>	V <sub>OH1</sub>	I <sub>OH</sub> = -400 μA	2.4			V
	V <sub>OH2</sub>	V <sub>OH2</sub>	I <sub>OH</sub> = -100 μA	V <sub>DDP</sub> -0.7			V
Output voltage, low	V <sub>OL</sub>	V <sub>OL</sub>	I <sub>OL</sub> = 2.1 mA			0.45	V
Output leakage current	I <sub>LO</sub>		0 ≤ V <sub>O</sub> ≤ V <sub>DDP</sub> , $\overline{OE} = V_{IH}$			±10	μA
V <sub>DD</sub> supply voltage	V <sub>DDP</sub>	V <sub>DD</sub>	Program memory write mode	6.25	6.5	6.75	V
			Program memory read mode	4.50	5.0	5.50	V
V <sub>PP</sub> supply voltage	V <sub>PP</sub>	V <sub>PP</sub>	Program memory write mode	12.2	12.5	12.8	V
			Program memory read mode	V <sub>PP</sub> = V <sub>DDP</sub>			V
V <sub>DD</sub> supply current	I <sub>DD</sub>	I <sub>DD</sub>	Program memory write mode			50	mA
			Program memory read mode			30	mA
V <sub>PP</sub> supply current	I <sub>PP</sub>	I <sub>PP</sub>	Program memory write mode			50	mA
			Program memory read mode		1	100	μA

**Notes** 1. Corresponding symbols of the μPD27C1001A.

2. V<sub>DDP</sub> is a V<sub>DD</sub> pin during programming.

AC Programming Characteristics ( $T_A = +25 \pm 5 \text{ }^\circ\text{C}$ ,  $V_{SS} = AV_{SS} = 0 \text{ V}$ )

## PROM Write Operation Mode (Page Programming Mode)

Parameter	Symbol <b>Note 1</b>	Conditions	MIN.	TYP.	MAX.	Unit
Address setup time	$t_{AS}$		2			$\mu\text{s}$
$\overline{\text{CE}}$ set time	$t_{CES}$		2			$\mu\text{s}$
Input data setup time	$t_{DS}$		2			$\mu\text{s}$
Address hold time	$t_{AH}$		2			$\mu\text{s}$
	$t_{AHL}$		2			$\mu\text{s}$
	$t_{AHV}$		0			$\mu\text{s}$
Input data hold time	$t_{DH}$		2			$\mu\text{s}$
Output data hold time	$t_{DF}$		0		230	ns
$V_{PP}$ setup time	$t_{VPS}$		2			$\mu\text{s}$
$V_{DDP}$ setup time	$t_{VDS}$ <b>Note 2</b>		2			$\mu\text{s}$
Initial programming pulse width	$t_{PW}$		0.095	0.1	0.105	ms
$\overline{\text{OE}}$ set time	$t_{OES}$		2			$\mu\text{s}$
$\overline{\text{OE}} \rightarrow$ valid data delay time	$t_{OE}$				1	$\mu\text{s}$
$\overline{\text{OE}}$ pulse width during data latch	$t_{LW}$		1			$\mu\text{s}$
$\overline{\text{PGM}}$ set-up time	$t_{PGMS}$		2			$\mu\text{s}$
$\overline{\text{CE}}$ hold time	$t_{CEH}$		2			$\mu\text{s}$
$\overline{\text{OE}}$ hold time	$t_{OEH}$		2			$\mu\text{s}$

**Notes** 1. Correspond to symbols of the  $\mu$ PD27C1001A (except  $t_{VDS}$ ).

2.  $t_{VDS}$  corresponds to  $t_{VCS}$  of the  $\mu$ PD27C1001A.

**PROM Write Mode (Byte Programming Mode)**

Parameter	Symbol <b>Note 1</b>	Conditions	MIN.	TYP.	MAX.	Unit
Address setup time	t <sub>AS</sub>		2			μs
$\overline{\text{CE}}$ set time	t <sub>CES</sub>		2			μs
Input data setup time	t <sub>DS</sub>		2			μs
Address hold time	t <sub>AH</sub>		2			μs
Input data hold time	t <sub>DH</sub>		2			μs
Output data hold time	t <sub>DF</sub>		0		130	ns
V <sub>PP</sub> setup time	t <sub>VPS</sub>		2			μs
V <sub>DDP</sub> setup time	t <sub>VDS</sub> <b>Note 2</b>		2			μs
Initial programming pulse width	t <sub>PW</sub>		0.095	0.1	0.105	ms
$\overline{\text{OE}}$ set time	t <sub>OES</sub>		2			μs
$\overline{\text{OE}}$ → valid data delay time	t <sub>OE</sub>				150	ns

- Notes** 1. Correspond to symbols of the μPD27C1001A (except t<sub>VDS</sub>).  
 2. t<sub>VDS</sub> corresponds to t<sub>VCS</sub> of the μPD27C1001A.

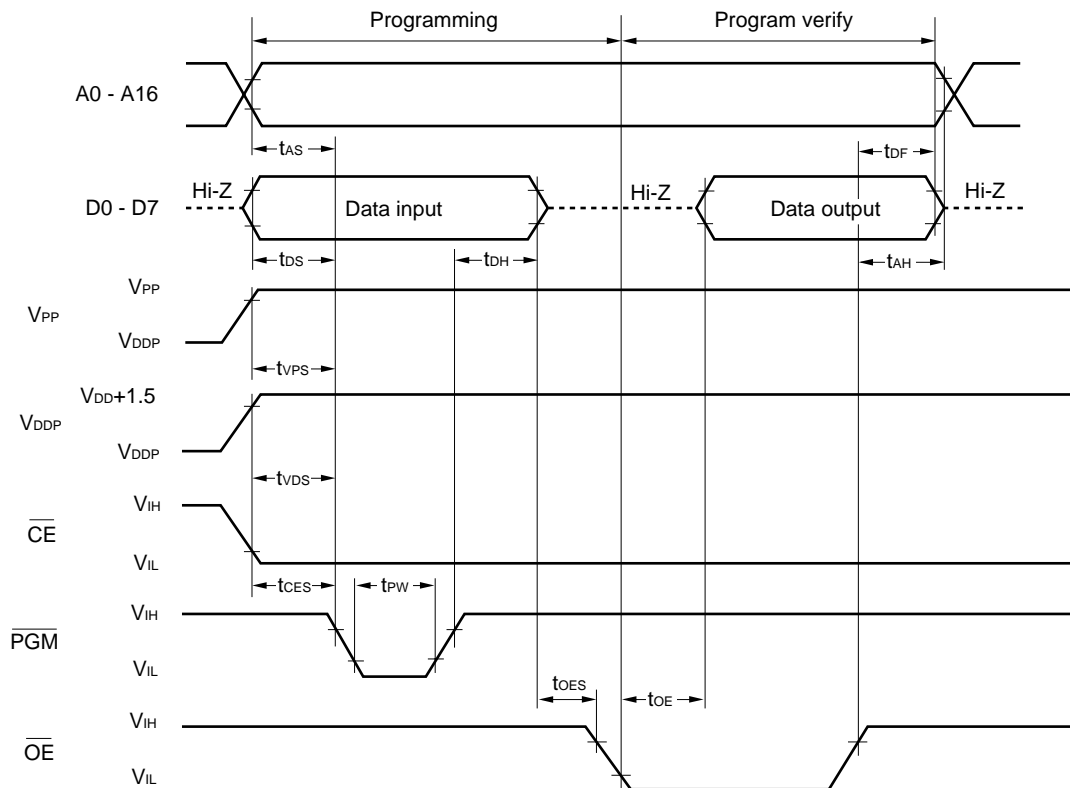
**PROM Read Mode**

Parameter	Symbol <b>Note 1</b>	Conditions	MIN.	TYP.	MAX.	Unit
Address → data output time	t <sub>ACC</sub>	$\overline{\text{CE}} = \overline{\text{OE}} = V_{IL}$			200	ns
$\overline{\text{CE}} \downarrow \rightarrow$ data output time	t <sub>CE</sub>	$\overline{\text{OE}} = V_{IL}$			200	ns
$\overline{\text{OE}} \downarrow \rightarrow$ data output time	t <sub>OE</sub>	$\overline{\text{CE}} = V_{IL}$			75	ns
Data hold time (from $\overline{\text{OE}} \uparrow$ , $\overline{\text{CE}} \uparrow$ ) <b>Note 2</b>	t <sub>DF</sub>	$\overline{\text{CE}} = V_{IL}$ or $\overline{\text{OE}} = V_{IL}$	0		60	ns
Data hold time (from address)	t <sub>OH</sub>	$\overline{\text{CE}} = \overline{\text{OE}} = V_{IL}$	0			ns

- Notes** 1. Correspond to symbols of the μPD27C1001A.  
 2. t<sub>DF</sub> is a time after either  $\overline{\text{OE}}$  or  $\overline{\text{CE}}$  rose to V<sub>H</sub> first.

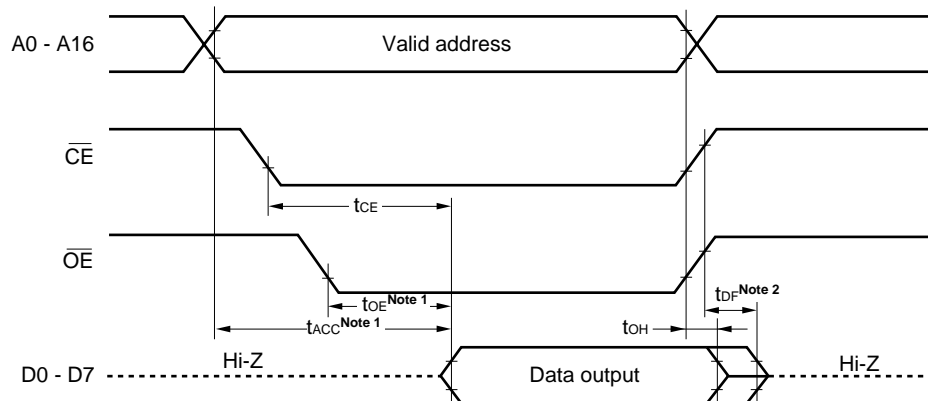


PROM Write Mode Timing (Byte Programming Mode)



- Cautions**
1. Apply voltage to  $V_{DDP}$  before applying voltage to  $V_{PP}$ , and cut off  $V_{DDP}$  voltage after  $V_{PP}$  voltage is cut off.
  2. The voltage, including overshoot, applied to  $V_{PP}$  pin must be kept less than +13.5 V.
  3. If a device is inserted or removed while +12.5 V is applied to  $V_{PP}$  pin, it may be adversely affected in reliability.

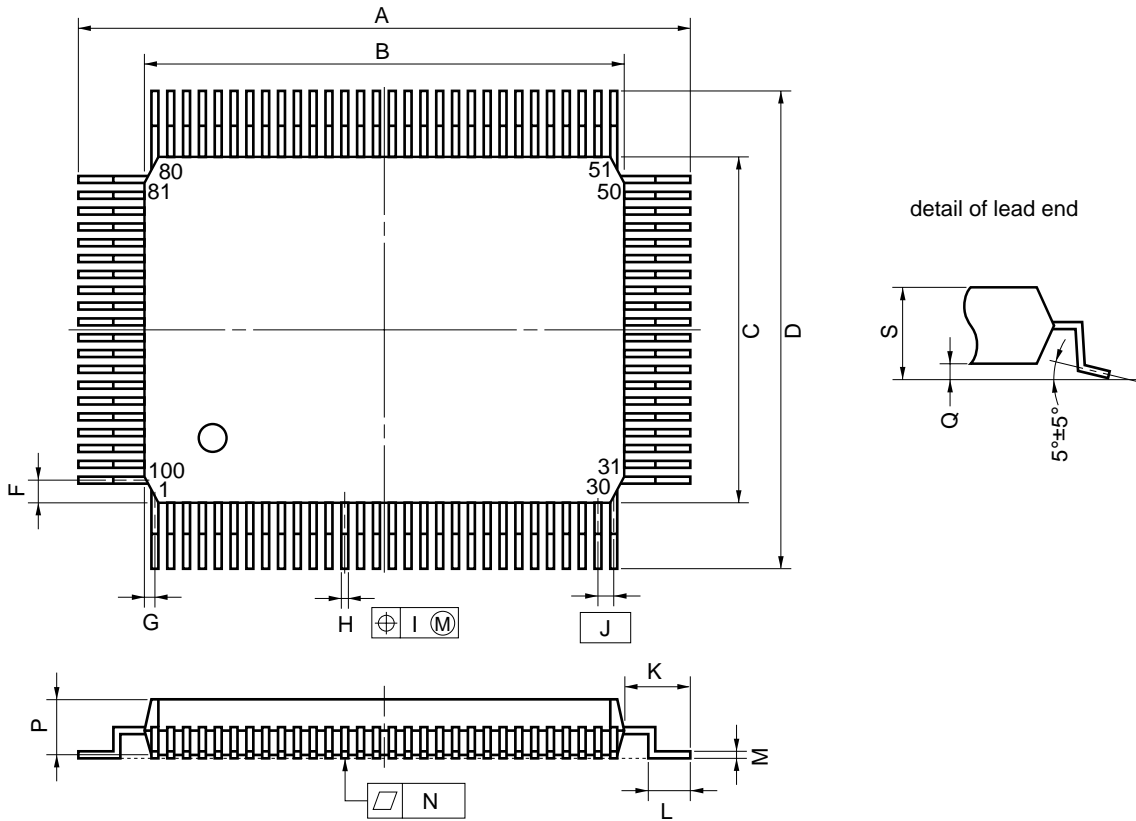
PROM Read Mode Timing



- Notes**
1. If data need to be read within  $t_{ACC}$ , the maximum delay time of  $\overline{OE}$  active level input from  $\overline{CE}$  falling should be  $t_{ACC} - t_{OE}$ .
  2.  $t_{DF}$  is the time after either  $\overline{OE}$  or  $\overline{CE}$  first rose to  $V_{IH}$ .

6. PACKAGE DRAWING

100 PIN PLASTIC QFP (14 × 20)



NOTE

Each lead centerline is located within 0.15 mm (0.006 inch) of its true position (T.P.) at maximum material condition.

P100GF-65-3BA1-2

ITEM	MILLIMETERS	INCHES
A	23.6±0.4	0.929±0.016
B	20.0±0.2	0.795 <sup>+0.009</sup> <sub>-0.008</sub>
C	14.0±0.2	0.551 <sup>+0.009</sup> <sub>-0.008</sub>
D	17.6±0.4	0.693±0.016
F	0.8	0.031
G	0.6	0.024
H	0.30±0.10	0.012 <sup>+0.004</sup> <sub>-0.005</sub>
I	0.15	0.006
J	0.65 (T.P.)	0.026 (T.P.)
K	1.8±0.2	0.071 <sup>+0.008</sup> <sub>-0.009</sub>
L	0.8±0.2	0.031 <sup>+0.009</sup> <sub>-0.008</sub>
M	0.15 <sup>+0.10</sup> <sub>-0.05</sub>	0.006 <sup>+0.004</sup> <sub>-0.003</sub>
N	0.10	0.004
P	2.7	0.106
Q	0.1±0.1	0.004±0.004
S	3.0 MAX.	0.119 MAX.

7. RECOMMENDED SOLDERING CONDITIONS

\*

This device should be soldered and mounted under the following conditions.

For details about the recommended conditions, refer to the document “Semiconductor Device Mounting Technology Manual” (C10535E). For soldering methods and conditions other than those recommended below, contact your NEC sales representative.

Table 7-1. Surface Mounting Type Soldering Conditions

μPD78P4916GF-3BA: 100-pin plastic QFP (14 x 20 mm)

Soldering Method	Soldering Conditions	Symbol
Infrared rays reflow	Peak package's surface temperature: 235 °C, Reflow time: 30 seconds or less (at 210 °C or higher), Number of reflow processes: 2 or less <b>&lt;Attention&gt;</b> <b>(1) Wait for the device temperature to come down to room temperature after the first reflow before starting the second reflow.</b> <b>(2) Do not perform flux cleaning of the soldered portion after the first reflow.</b>	IR35-00-2
VPS	Peak package's surface temperature: 215 °C, Reflow time: 40 seconds or less (at 200 °C or higher), Number of reflow processes: 2 or less <b>&lt;Attention&gt;</b> <b>(1) Wait for the device temperature to come down to room temperature after the first reflow before starting the second reflow.</b> <b>(2) Do not perform flux cleaning of the soldered portion after the first reflow.</b>	VP15-00-2
Wave soldering	Solder temperature: 260 °C or below, Flow time: 10 seconds or less, Number of flow process: 1, Preheating temperature; 120 °C max. (package surface temperature)	WS60-00-1
Partial heating	Pin temperature: 300 °C or below, Time: 3 seconds or less (per pin row)	—

**Caution Do not use different soldering methods together (except for partial heating).**

**\* APPENDIX A. DEVELOPMENT TOOLS**

The following development tools are prepared for system development using the μPD78P4916.

**Language Software**

RA78K4 <small>Note 1</small>	Assembler package common to the 78K/IV Series
CC78K4 <small>Note 1</small>	C compiler package common to the 78K/IV Series
CC78K4-L <small>Note 1</small>	C compiler library source file common to the 78K/IV Series

**PROM Writing Tool**

PG-1500	PROM programmer
PA-78P4916GF	Programmer adapter connected to the PG-1500
PG-1500 Controller <small>Note 2</small>	Control program for PG-1500

**Debugging Tool**

IE-784000-R	In-circuit emulator common to the 78K/IV Series
IE-784000-R-BK	Break board common to the 78K/IV Series
IE-784000-R-EM	Emulation board common to the 78K/IV Series
IE-784915-R-EM1	Emulation board for evaluation of the μPD784915 Subseries
IE-78000-R-SV3	Interface adapter when using EWS as a host machine
IE-70000-98-IF-B	Interface adapter when using PC-9800 series (except notebook type) as a host machine
IE-70000-98N-IF	Interface adapter and cable when using notebook type PC-9800 series as a host machine
IE-70000-PC-IF-B	Interface adapter when using IBM PC/AT™ as a host machine
EP-784915GF-R	Emulation probe common to the μPD784915 subseries
EV-9200GF-100	Conversion socket for 100-pin plastic QFP to mount a device on a target system
SM78K4 <small>Note 3</small>	System emulator for all 78K/IV series devices
ID78K4 <small>Note 3</small>	Integrated debugger for IE-784000-R
DF784915 <small>Note 4</small>	Device file common to the μPD784915 subseries

**\* Real-time OS**

RX78K/IV <small>Note 4</small>	Real-time OS common to the 78K/IV series
MX78K4 <small>Note 2</small>	OS common to the 78K/IV series

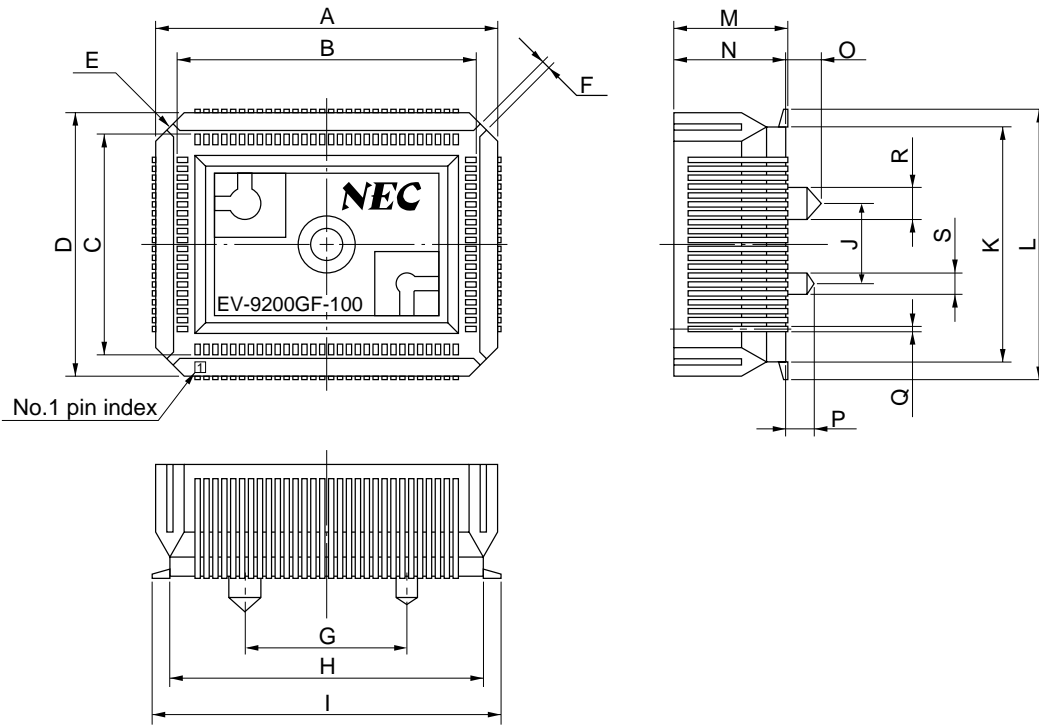


- Notes**
1. • PC-9800 series (for MS-DOS™) based \*
    - IBM PC/AT and compatibles (for PC DOS™, Windows™, MS-DOS, and IBM DOS™) based
    - HP9000 series 700™ (for HP-UX™) based
    - SPARCstation™ (for SunOS™) based
    - NEWS™ (NEWS-OS™) based
  2. • PC-9800 series (for MS-DOS) based
    - IBM PC/AT and its compatibles (for PC DOS, Windows, MS-DOS, and IBM DOS) based
  3. • PC-9800 series (for Windows on MS-DOS) based
    - IBM PC/AT and its compatibles (for PC DOS, Windows, MS-DOS, and IBM DOS) based
    - HP9000 series 700 (for HP-UX) based
    - SPARCstation (for SunOS) based
  4. • PC-9800 series (for MS-DOS) based
    - IBM PC/AT and compatibles (for PC DOS, Windows, MS-DOS, and IBM DOS) based
    - HP9000 series 700 (for HP-UX) based
    - SPARCstation (for SunOS) based

**Remark** The RA78K4, CC78K4, SM78K4, and ID78K4 should be used in combination with the DF784915.

\* APPENDIX B. SOCKET DRAWING AND RECOMMENDED FOOTPRINT

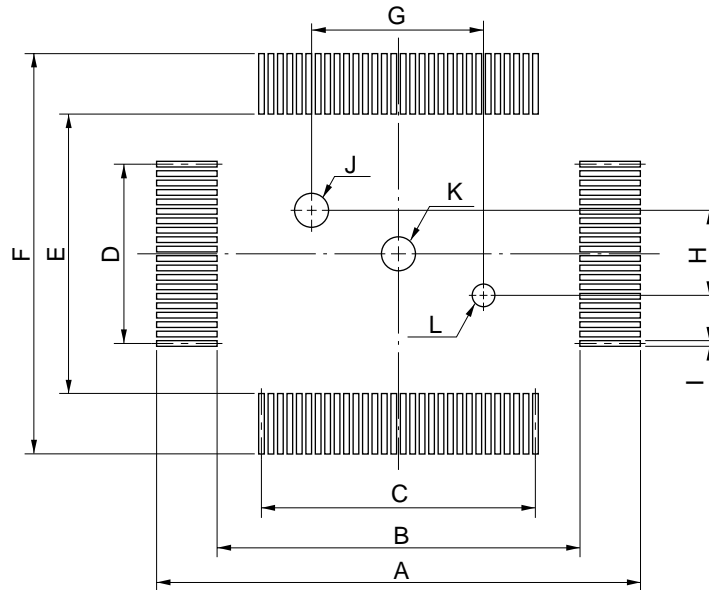
Figure B-1. EV-9200GF-100 Drawing  
(For reference purpose only)



EV-9200GF-100-G0

ITEM	MILLIMETERS	INCHES
A	24.6	0.969
B	21	0.827
C	15	0.591
D	18.6	0.732
E	4-C 2	4-C 0.079
F	0.8	0.031
G	12.0	0.472
H	22.6	0.89
I	25.3	0.996
J	6.0	0.236
K	16.6	0.654
L	19.3	0.76
M	8.2	0.323
N	8.0	0.315
O	2.5	0.098
P	2.0	0.079
Q	0.35	0.014
R	φ2.3	φ0.091
S	φ1.5	φ0.059

Figure B-2. Recommended EV-9200GF-100 Footprint  
(For reference purpose only)



EV-9200GF-100-P1

ITEM	MILLIMETERS	INCHES
A	26.3	1.035
B	21.6	0.85
C	$0.65 \pm 0.02 \times 29 = 18.85 \pm 0.05$	$0.026^{+0.001}_{-0.002} \times 1.142 = 0.742^{+0.002}_{-0.002}$
D	$0.65 \pm 0.02 \times 19 = 12.35 \pm 0.05$	$0.026^{+0.001}_{-0.002} \times 0.748 = 0.486^{+0.003}_{-0.002}$
E	15.6	0.614
F	20.3	0.799
G	$12 \pm 0.05$	$0.472^{+0.003}_{-0.002}$
H	$6 \pm 0.05$	$0.236^{+0.003}_{-0.002}$
I	$0.35 \pm 0.02$	$0.014^{+0.001}_{-0.001}$
J	$\phi 2.36 \pm 0.03$	$\phi 0.093^{+0.001}_{-0.002}$
K	$\phi 2.3$	$\phi 0.091$
L	$\phi 1.57 \pm 0.03$	$\phi 0.062^{+0.001}_{-0.002}$

**Caution** Dimensions of mount pad for EV-9200 and that for target device (QFP) may be different in some parts. For the recommended mount pad dimensions for QFP, refer to "SEMICONDUCTOR DEVICE MOUNTING TECHNOLOGY MANUAL" (C10535E).

**\* APPENDIX C. RELATED DOCUMENTS**

**Document related to device**

Title	Document No.	
	Japanese	English
μPD784915 Subseries User's Manual – Hardware	U10444J	U10444E
μPD784915 Subseries Special Function Register Table	U10976J	—
78K/IV Series User's Manual – Instructions	U10905J	U10905E
78K/IV Series Instruction Table	U10594J	—
78K/IV Series Instruction Set	U10595J	—
78K/IV Series Application Note – Software Basics	U10095J	—

**Development tool documents (User's Manual)**

Title		Document No.	
		Japanese	English
RA78K Series Assembler Package	Language	EEU-809	EEU-1399
	Operation	EEU-815	EEU-1404
RA78K Series Structured Assembler Preprocessor		EEU-817	EEU-1402
CC78K Series C Compiler	Language	EEU-656	EEU-1280
	Operation	EEU-655	EEU-1284
CC78K Series Library Source File		EEU-777	—
PG-1500 PROM Programmer		EEU-651	EEU-1335
PG-1500 Controller PC-9800 series – MS-DOS base		EEU-704	EEU-1291
PG-1500 Controller IBM PC series – PC DOS base		EEU-5008	U10540E
IE-784000-R		EEU-5004	EEU-1534
IE-784915-R-EM1 EP-784915GF-R		U10931J	—
ID78K4 Integrated Debugger – Reference		U10440J	IEU-1412

**Embedded-software documents (User's Manual)**

Title		Document No.	
		Japanese	English
RX78K/IV Series Real-time OS	Basics	U10604J	—
	Installation	U10603J	—
	Debugger	U10364J	—

**Caution** The contents of the documents listed above are subject to change without prior notice to users.  
**Be sure to use the latest edition when starting design.**

## Other documents

\*

Title	Document No.	
	Japanese	English
Semiconductor Device Package Manual	IEI-635	IEI-1213
Semiconductor Device Mounting Technology Manual	C10535J	C10535E
Quality Grades on NEC Semiconductor Devices	IEI-620	IEI-1209
NEC Semiconductor Device Reliability/Quality Control System	IEM-5068	—
Electrostatic Discharge (ESD) Test	MEM-539	—
Guide to Quality Assurance for Semiconductor Devices	MEI-603	MEI-1202
Microcontroller-Related Product Guide - Third Party Products	MEI-604	—

**Caution** The contents of the documents listed above are subject to change without prior notice to users.  
Be sure to use the latest edition when starting design.

[MEMO]

## NOTES FOR CMOS DEVICES

### ① PRECAUTION AGAINST ESD FOR SEMICONDUCTORS

**Note:** Strong electric field, when exposed to a MOS device, can cause destruction of the gate oxide and ultimately degrade the device operation. Steps must be taken to stop generation of static electricity as much as possible, and quickly dissipate it once, when it has occurred. Environmental control must be adequate. When it is dry, humidifier should be used. It is recommended to avoid using insulators that easily build static electricity. Semiconductor devices must be stored and transported in an anti-static container, static shielding bag or conductive material. All test and measurement tools including work bench and floor should be grounded. The operator should be grounded using wrist strap. Semiconductor devices must not be touched with bare hands. Similar precautions need to be taken for PW boards with semiconductor devices on it.

### ② HANDLING OF UNUSED INPUT PINS FOR CMOS

**Note:** No connection for CMOS device inputs can be cause of malfunction. If no connection is provided to the input pins, it is possible that an internal input level may be generated due to noise, etc., hence causing malfunction. CMOS devices behave differently than Bipolar or NMOS devices. Input levels of CMOS devices must be fixed high or low by using a pull-up or pull-down circuitry. Each unused pin should be connected to  $V_{DD}$  or GND with a resistor, if it is considered to have a possibility of being an output pin. All handling related to the unused pins must be judged device by device and related specifications governing the devices.

### ③ STATUS BEFORE INITIALIZATION OF MOS DEVICES

**Note:** Power-on does not necessarily define initial status of MOS device. Production process of MOS does not define the initial operation status of the device. Immediately after the power source is turned ON, the devices with reset function have not yet been initialized. Hence, power-on does not guarantee out-pin levels, I/O settings or contents of registers. Device is not initialized until the reset signal is received. Reset operation must be executed immediately after power-on for devices having reset function.

**FIP is a trademark of NEC Corporation.**

**MS-DOS and Windows are trademarks of Microsoft Corporation.**

**IBM DOS, PC/AT, and PC DOS are trademarks of International Business Machines Corporation.**

**HP9000 Series 700 and HP-UX are trademarks of Hewlett-Packard Company.**

**SPARCstation is a trademark of SPARC International, Inc.**

**SunOS is a trademark of Sun Microsystems, Inc.**

**NEWS and NEWS-OS are trademarks of Sony Corporation.**

The related documents indicated in this publication may include preliminary versions. However, preliminary versions are not marked as such.

The export of this product from Japan is regulated by the Japanese government. To export this product may be prohibited without governmental license, the need for which must be judged by the customer. The export or re-export of this product from a country other than Japan may also be prohibited without a license from that country. Please call an NEC sales representative.

**The application circuits and their parameters are for reference only and are not intended for use in actual design-in's.**

No part of this document may be copied or reproduced in any form or by any means without the prior written consent of NEC Corporation. NEC Corporation assumes no responsibility for any errors which may appear in this document.

NEC Corporation does not assume any liability for infringement of patents, copyrights or other intellectual property rights of third parties by or arising from use of a device described herein or any other liability arising from use of such device. No license, either express, implied or otherwise, is granted under any patents, copyrights or other intellectual property rights of NEC Corporation or others.

While NEC Corporation has been making continuous effort to enhance the reliability of its semiconductor devices, the possibility of defects cannot be eliminated entirely. To minimize risks of damage or injury to persons or property arising from a defect in an NEC semiconductor device, customer must incorporate sufficient safety measures in its design, such as redundancy, fire-containment, and anti-failure features.

NEC devices are classified into the following three quality grades:

“Standard”, “Special”, and “Specific”. The Specific quality grade applies only to devices developed based on a customer designated “quality assurance program” for a specific application. The recommended applications of a device depend on its quality grade, as indicated below. Customers must check the quality grade of each device before using it in a particular application.

Standard: Computers, office equipment, communications equipment, test and measurement equipment, audio and visual equipment, home electronic appliances, machine tools, personal electronic equipment and industrial robots

Special: Transportation equipment (automobiles, trains, ships, etc.), traffic control systems, anti-disaster systems, anti-crime systems, safety equipment and medical equipment (not specifically designed for life support)

Specific: Aircrafts, aerospace equipment, submersible repeaters, nuclear reactor control systems, life support systems or medical equipment for life support, etc.

The quality grade of NEC devices in “Standard” unless otherwise specified in NEC's Data Sheets or Data Books. If customers intend to use NEC devices for applications other than those specified for Standard quality grade, they should contact NEC Sales Representative in advance.

Anti-radioactive design is not implemented in this product.