

8-BIT SINGLE-CHIP MICROCONTROLLERS

DESCRIPTION

The μ PD78F9306 and 78F9316 belong to the μ PD789306, 789316 Subseries (for LCD drivers) in the 78K/0S Series.

The μ PD78F9306 has flash memory in place of the internal ROM of the μ PD789304 and 789306, and the μ PD78F9316 has flash memory in place of the internal ROM of the μ PD789314 and 789316.

Because flash memory allows the program to be written and erased electrically with the device mounted on the board, this product is ideal for the evaluation stages of system development, small-scale production, and rapid development of new products.

Detailed function descriptions are provided in the following user's manuals. Be sure to read them before designing.

μ PD789306, 789316 Subseries User's Manual: U14800E
78K/0S Series User's Manual Instructions: U11047E

FEATURES

- Pin compatible with mask ROM version (except V_{PP} pin)
- Flash memory: 16 KB
- Main system clock
Ceramic/crystal oscillation: μ PD78F9306
RC oscillation: μ PD78F9316
- I/O ports: 23
- Serial interface: 2 channels
Switchable between 3-wire serial I/O mode and UART mode: 1 channel
3-wire serial I/O mode: 1 channel
- LCD controller/driver
Segment signals: 24, common signals: 4
- Timer: 5 channels
- Power supply voltage: $V_{DD} = 1.8$ to 5.5 V

APPLICATIONS

Remote control devices, healthcare equipment, etc.

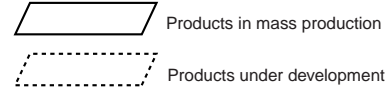
The information in this document is subject to change without notice. Before using this document, please confirm that this is the latest version.
Not all devices/types available in every country. Please check with local NEC representative for availability and additional information.

ORDERING INFORMATION

Part Number	Package
μ PD78F9306GC-AB8	64-pin plastic QFP (14 × 14)
μ PD78F9306GK-9ET	64-pin plastic TQFP (12 × 12)
μ PD78F9316GC-AB8	64-pin plastic QFP (14 × 14)
μ PD78F9316GK-9ET	64-pin plastic TQFP (12 × 12)

★ 78K/0S SERIES LINEUP

The products in the 78K/0S Series are listed below. The names enclosed in boxes are subseries names.



Y Subseries products support SMB.

Small-scale package, general-purpose applications

<div style="border-left: 1px solid black; border-right: 1px solid black; padding: 0 5px;"> 44-pin 42-/44-pin 30-pin 28-pin </div>	μPD789046	μPD789074 with added subsystem clock
	μPD789026	μPD789014 with enhanced timer and increased ROM, RAM capacity
	μPD789074	μPD789026 with enhanced timer
	μPD789014	On-chip UART and capable of low voltage (1.8 V) operation

Small-scale package, general-purpose applications and A/D converter

<div style="border-left: 1px solid black; border-right: 1px solid black; padding: 0 5px;"> 44-pin 44-pin 30-pin 30-pin 30-pin 30-pin 30-pin 30-pin </div>	μPD789177	μPD789177Y	μPD789167 with enhanced A/D converter
	μPD789167	μPD789167Y	μPD789104A with enhanced timer
	μPD789156		μPD789146 with enhanced A/D converter
	μPD789146		μPD789104A with added EEPROM™
	μPD789134A		μPD789124A with enhanced A/D converter
	μPD789124A		RC oscillation version of the μPD789104A
	μPD789114A		μPD789104A with enhanced A/D converter
	μPD789104A		μPD789026 with added A/D converter and multiplier

Inverter control

44-pin	μPD789842	On-chip inverter controller and UART
--------	-----------	--------------------------------------

VFD drive

52-pin	μPD789871	Total display outputs: 25
--------	-----------	---------------------------

LCD drive

<div style="border-left: 1px solid black; border-right: 1px solid black; padding: 0 5px;"> 80-pin 80-pin 80-pin 64-pin 64-pin 64-pin 64-pin 64-pin 64-pin </div>	μPD789488	A/D converter and on-chip voltage booster type LCD (28 × 4)
	μPD789417A	μPD789407A with enhanced A/D converter
	μPD789407A	A/D converter and resistance division type LCD (28 × 4)
	μPD789456	μPD789446 with enhanced A/D converter
	μPD789446	A/D converter and on-chip voltage booster type LCD (15 × 4)
	μPD789436	μPD789426 with enhanced A/D converter
	μPD789426	A/D converter and on-chip voltage booster type LCD (5 × 4)
	μPD789316	RC oscillation version of the μPD789306
	μPD789306	On-chip voltage booster type LCD (24 × 4)

Dot LCD drive

144-pin	μPD789835	Segment/common outputs: 96
88-pin	μPD789830	Segments: 40, commons: 16

ASSP

<div style="border-left: 1px solid black; border-right: 1px solid black; padding: 0 5px;"> 80-pin 52-pin 52-pin 64-pin 44-pin 44-pin 20-pin 20-pin </div>	μPD789477	μPD789488 with added remote control receiver and resistance division type LCD
	μPD789467	For remote controller, with A/D converter and on-chip voltage booster type LCD
	μPD789327	For remote controller, with SIO and resistance division type LCD
	μPD789803	For PC keyboard, on-chip USB HUB function
	μPD789800	For PC keyboard, on-chip USB function
	μPD789840	For keypad, on-chip POC
	μPD789861	RC oscillation version of the μPD789860
	μPD789860	For keyless entry, on-chip POC and key return circuit



The major functional differences among the subseries are listed below.

Function Subseries Name		ROM Capacity	8-Bit	16-Bit	Watch	WDT	8-Bit A/D	10-Bit A/D	Serial Interface	I/O	V _{DD}	Remarks
											MIN. Value	
Small-scale package, general-purpose applications	μPD789046	16 K	1 ch	1 ch	1 ch	1 ch	–	–	1 ch (UART: 1 ch)	34	1.8 V	–
	μPD789026	4 K to 16 K			–		–					
	μPD789074	2 K to 8 K	–	–	24							
	μPD789014	2 K to 4 K	2 ch	–	22							
Small-scale package, general-purpose applications and A/D converter	μPD789177	16 K to 24 K	3 ch	1 ch	1 ch	1 ch	–	8 ch	1 ch (UART: 1 ch)	31	20	–
	μPD789167	–			8 ch		–					
	μPD789156	8 K to 16 K	1 ch	–	–		4 ch					
	μPD789146	–		4 ch	–							
	μPD789134A	2 K to 8 K	–	–	4 ch							
	μPD789124A		4 ch	–								
	μPD789114A		–	4 ch								
μPD789104A	4 ch		–									
Inverter control	μPD789842	8 K to 16 K	3 ch	Note	1 ch	1 ch	8 ch	–	1 ch (UART: 1 ch)	30	4.0 V	–
VFD drive	μPD789871	4 K to 8 K	3 ch	–	1 ch	1 ch	–	–	1 ch	33	2.7 V	–
LCD drive	μPD789488	32 K	3 ch	1 ch	1 ch	1 ch	–	8 ch	2 ch (UART: 1 ch)	45	1.8 V	–
	μPD789417A	12 K to 24 K					7 ch	1 ch (UART: 1 ch)	43			
	μPD789407A	–	7 ch	–	–							
	μPD789456	12 K to 16 K	2 ch	–	6 ch	–	30					
	μPD789446	–		6 ch	–	–						
	μPD789436	–		6 ch	–	40						
	μPD789426	–		6 ch	–	–						
	μPD789316	8 K to 16 K	–	–	–	–	–	2 ch (UART: 1 ch)	23	RC-oscillation version		
μPD789306	–		–	–	–	–	–	–	–			
Dot LCD drive	μPD789835	24 K to 60 K	6 ch	–	1 ch	1 ch	3 ch	–	1 ch (UART: 1 ch)	28	1.8 V	–
	μPD789830	24 K	1 ch	1 ch	–	–	–	–	–	30	2.7 V	–
ASSP	μPD789477	24 K	3 ch	1 ch	1 ch	1 ch	8 ch	–	2 ch (UART: 1 ch)	45	1.8 V	On-chip LCD
	μPD789467	4 K to 24 K	2 ch	–	–	–	1 ch	–	–	18		
	μPD789327	–							–	1 ch	21	
	μPD789803	8 K to 16 K	–	–	–	–	–	2 ch (USB: 1 ch)	41	3.6 V	–	
	μPD789800	8 K	–	–	–	–	–	1 ch	31	4.0 V		
	μPD789840	–	–	–	–	–	4 ch	–	1 ch	29	2.8 V	
	μPD789861	4 K	–	–	–	–	–	–	–	14	1.8 V	RC-oscillation version, on-chip EEPROM
μPD789860	–		–	–	–	–	–	–	–	–	On-chip EEPROM	

Note 10-bit timer: 1 channel

OVERVIEW OF FUNCTIONS

Item		μPD78F9306	μPD78F9316
Internal memory	Flash memory	16 KB	
	High-speed RAM	512 bytes	
	LCD display RAM	24 bytes	
Main system clock (oscillation frequency)		Ceramic/crystal oscillation (1.0 to 5.0 MHz)	RC oscillation (2.0 to 4.0 MHz)
Subsystem clock (oscillation frequency)		Crystal oscillation (32.768 kHz)	
Minimum instruction execution time		0.4 μs/1.6 μs (@ 5.0 MHz operation with main system clock)	0.5 μs/2.0 μs (@ 4.0 MHz operation with main system clock)
		122 μs (@ 32.768 kHz operation with subsystem clock)	
General-purpose registers		8 bits × 8 registers	
Instruction set		<ul style="list-style-type: none"> • 16-bit operation • Bit manipulation (set, reset, test) 	
I/O ports		Total: <u>23</u> <ul style="list-style-type: none"> • CMOS I/O: 19 • N-ch open drain: 4 	
Timers		<ul style="list-style-type: none"> • 16-bit timer: 1 channel • 8-bit timer/event counter: 2 channels • Watch timer: 1 channel • Watchdog timer: 1 channel 	
Serial interface		<ul style="list-style-type: none"> • Switchable between 3-wire serial I/O mode and UART mode: 1 channel • 3-wire serial I/O mode: 1 channel 	
LCD controller/driver		<ul style="list-style-type: none"> • Segment signal outputs: 24 (Max.) • Common signal outputs: 4 (Max.) 	
Vectored interrupt sources	Maskable	Internal: 9, External: 5	
	Non-maskable	Internal: 1	
Power supply voltage		V _{DD} = 1.8 to 5.5 V	
Operating ambient temperature		T _A = -40 to +85°C	
Package		<ul style="list-style-type: none"> • 64-pin plastic QFP (14 × 14) • 64-pin plastic TQFP (12 × 12) 	

CONTENTS

1.	PIN CONFIGURATION (Top View)	7
2.	BLOCK DIAGRAM	9
3.	PIN FUNCTIONS	10
	3.1 Port Pins	10
	3.2 Non-Port Pins	11
	3.3 Pin I/O Circuits and Recommended Connection of Unused Pins.....	12
4.	MEMORY SPACE	14
5.	FLASH MEMORY PROGRAMMING	15
	5.1 Selecting Communication Mode.....	15
	5.2 Function of Flash Memory Programming	16
	5.3 Connecting Flashpro III	16
	5.4 Example of Settings for Flashpro III (PG-FP3).....	18
6.	OVERVIEW OF INSTRUCTION SET	19
	6.1 Conventions	19
	6.2 List of Operations	21
7.	ELECTRICAL SPECIFICATIONS	26
★ 8.	CHARACTERISTICS CURVES OF LCD CONTROLLER/DRIVER (REFERENCE VALUES)	42
9.	PACKAGE DRAWINGS	44
★ 10.	RECOMMENDED SOLDERING CONDITIONS	46
	APPENDIX A. DIFFERENCES BETWEEN μPD78F9306, 78F9316 AND MASK ROM VERSIONS	47
	APPENDIX B. DEVELOPMENT TOOLS	48
	APPENDIX C. RELATED DOCUMENTS	50

1. PIN CONFIGURATION (Top View)

64-pin plastic QFP (14 × 14)

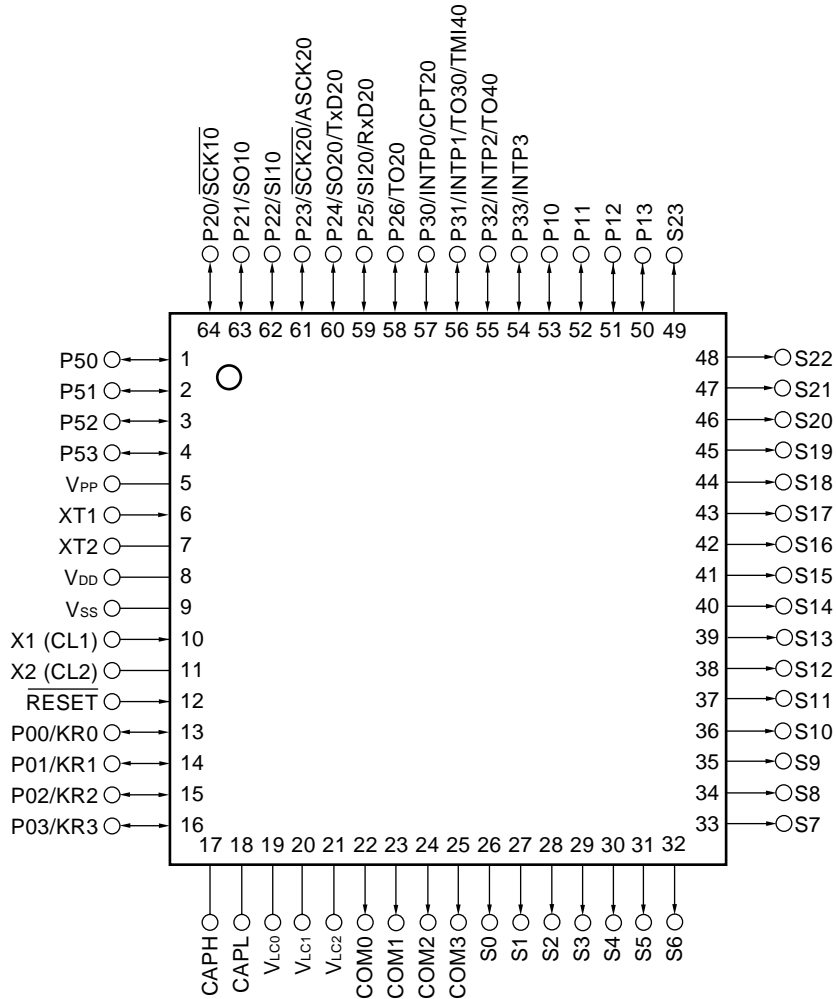
μPD78F9306GC-AB8

μPD78F9316GC-AB8

64-pin plastic TQFP (12 × 12)

μPD78F9306GK-9ET

μPD78F9316GK-9ET

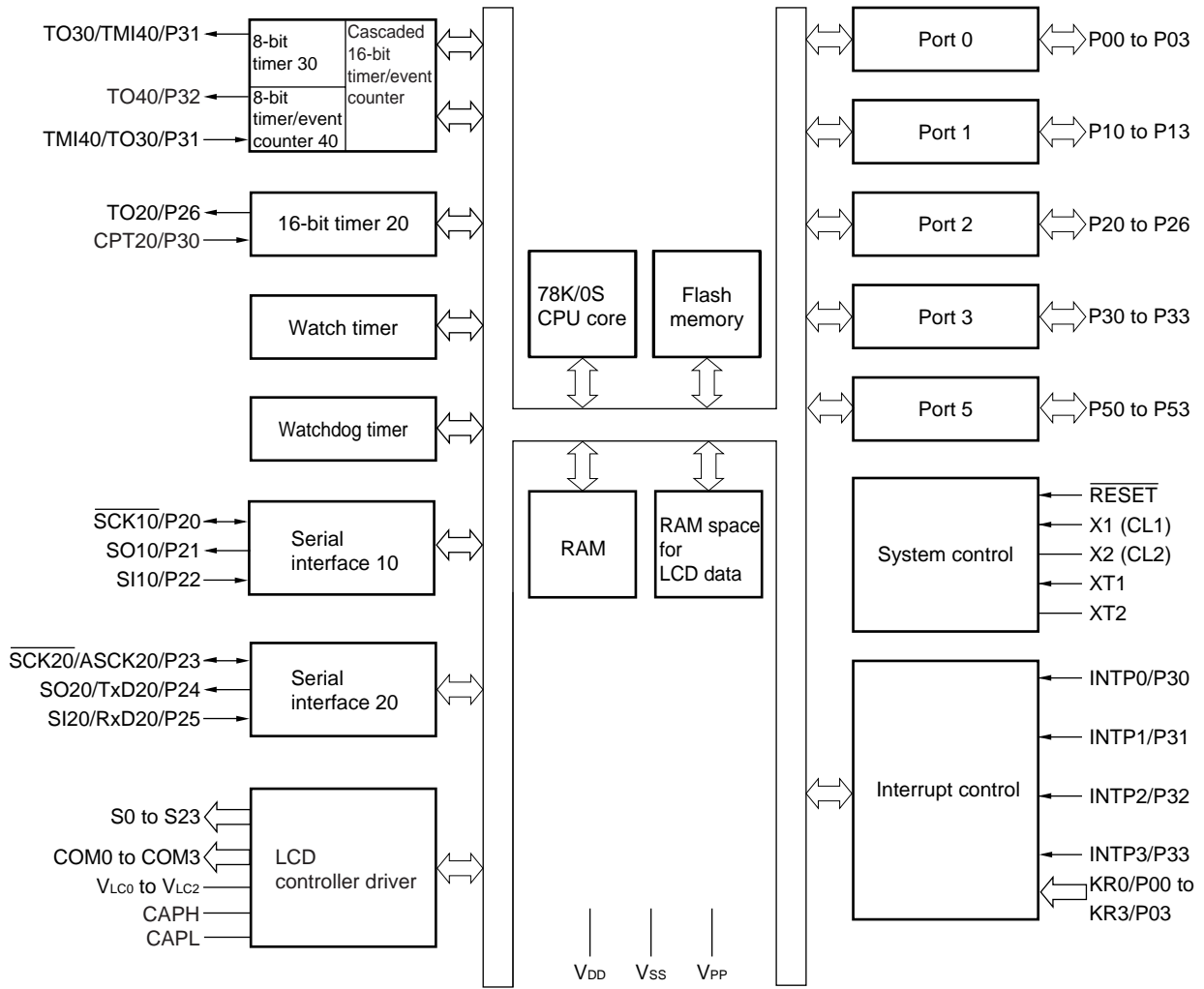


Caution Connect the V_{PP} pin directly to the V_{SS} pin in normal operation mode.

Remark Pin names enclosed in parentheses apply when using the μPD78F9316.

ASCK20:	Asynchronous serial input	S0 to S23:	Segment output
CAPH, CAPL:	LCD power supply capacitance control	$\overline{\text{SCK10}}, \overline{\text{SCK20}}$:	Serial clock
CL1, CL2:	RC oscillator	SI10, SI20:	Serial input
COM0 to COM3:	Common output	SO10, SO20:	Serial output
CPT20:	Capture trigger input	TMI40:	Timer input
INTP0 to INTP3:	External interrupt input	TO20, TO30, TO40:	Timer output
KR0 to KR3:	Key return	TxD20:	Transmit data
P00 to P03:	Port 0	V _{DD} :	Power supply
P10 to P13:	Port 1	V _{LC0} to V _{LC2} :	LCD power supply
P20 to P26:	Port 2	V _{PP} :	Programming power supply
P30 to P33:	Port 3	V _{SS} :	Ground
P50 to P53:	Port 5	X1, X2:	Crystal/ceramic oscillator
$\overline{\text{RESET}}$:	Reset	XT1, XT2:	Crystal oscillator
RxD20:	Receive data		

2. BLOCK DIAGRAM



Remark Pin names enclosed in parentheses apply when using the μPD78F9316.

3. PIN FUNCTIONS

3.1 Port Pins

Pin Name	I/O	Function	After Reset	Alternate Function
P00 to P03	I/O	Port 0. 4-bit I/O port. Input/output can be specified in 1-bit units. When used as an input port, use of an on-chip pull-up resistor can be specified in port units by pull-up resistor option register 0 (PU0) or key return mode register 00 (KRM00).	Input	KR0 to KR3
P10 to P13	I/O	Port 1. 4-bit I/O port. Input/output can be specified in 1-bit units. When used as an input port, use of an on-chip pull-up resistor can be specified in port units by pull-up resistor option register 0 (PU0).	Input	–
P20	I/O	Port 2. 7-bit I/O port. Input/output can be specified in 1-bit units. When used as an input port, use of an on-chip pull-up resistor can be specified in bit units by pull-up resistor option register B2 (PUB2).	Input	SCK10
P21				SO10
P22				SI10
P23				SCK20/ASCK20
P24				SO20/TxD20
P25				SI20/RxD20
P26				TO20
P30	I/O	Port 3. 4-bit I/O port. Input/output can be specified in 1-bit units. When used as an input port, use of an on-chip pull-up resistor can be specified in bit units by pull-up resistor option register B3 (PUB3).	Input	INTP0/CPT20
P31				INTP1/TO30/TMI40
P32				INTP2/TO40
P33				INTP3
P50 to P53	I/O	Port 5. 4-bit I/O port. Input/output can be specified in 1-bit units.	Input	–

3.2 Non-Port Pins

Pin Name	I/O	Function	After Reset	Alternate Function
INTP0	Input	External interrupt input for which the valid edge (rising edge, falling edge, or both rising and falling edges) can be specified	Input	P30/CPT20
INTP1				P31/TO30/TMI40
INTP2				P32/TO40
INTP3				P33
KR0 to KR3	Input	Key return signal detection	Input	P00 to P03
SCK10	Input/ output	Serial clock input/output for serial interface 10 (SIO10)	Input	P20
SCK20		Serial clock input/output for serial interface 20 (SIO20)		P23/ASCK20
SI10	Input	Serial data input for serial interface 10 (SIO10)	Input	P22
SI20		Serial data input for serial interface 20 (SIO20)		P25/RxD20
SO10	Output	Serial data output for serial interface 10 (SIO10)	Input	P21
SO20		Serial data output for serial interface 20 (SIO20)		P24/TxD20
ASCK20	Input	Serial clock input for asynchronous serial interface	Input	P23/ $\overline{\text{SCK20}}$
RxD20	Input	Serial data input for asynchronous serial interface	Input	P25/SI20
TxD20	Output	Serial data output for asynchronous serial interface	Input	P24/SO20
TO20	Output	16-bit timer 20 (TM20) output	Input	P26
CPT20	Input	Capture edge input	Input	P30/INTP0
TO30	Output	8-bit timer 30 (TM30) output	Input	P31/INTP1/TMI40
TO40	Output	8-bit timer 40 (TM40) output	Input	P32/INTP2
TMI40	Input	External count clock input to 8-bit timer 40 (TM40)	Input	P31/INTP1/TO30
S0 to S23	Output	Segment signal output for LCD controller/driver	Low-level output	–
COM0 to COM3	Output	Common signal output for LCD controller/driver	Low-level output	–
V _{Lc0} to V _{Lc2}	–	LCD drive voltage	–	–
CAPH	–	Connection pin for LCD driver's capacitor	–	–
CAPL	–		–	–
X1 ^{Note 1}	Input	Connecting crystal resonator for main system clock oscillation	–	–
X2 ^{Note 1}			–	–
CL1 ^{Note 2}	Input	Connections to resistor (R) and capacitor (C) for main system clock oscillation	–	–
CL2 ^{Note 2}			–	–
XT1	Input	Connecting crystal resonator for subsystem clock oscillation	–	–
XT2			–	–
$\overline{\text{RESET}}$	Input	System reset input	Input	–
V _{DD}	–	Positive power supply	–	–
V _{SS}	–	Ground potential	–	–
V _{PP}	–	Flash memory programming mode setting. High-voltage application for program write/verify. In normal operation mode, connect directly to V _{SS} .	–	–

Notes 1. μPD78F9306 only

2. μPD78F9316 only

3.3 Pin I/O Circuits and Recommended Connection of Unused Pins

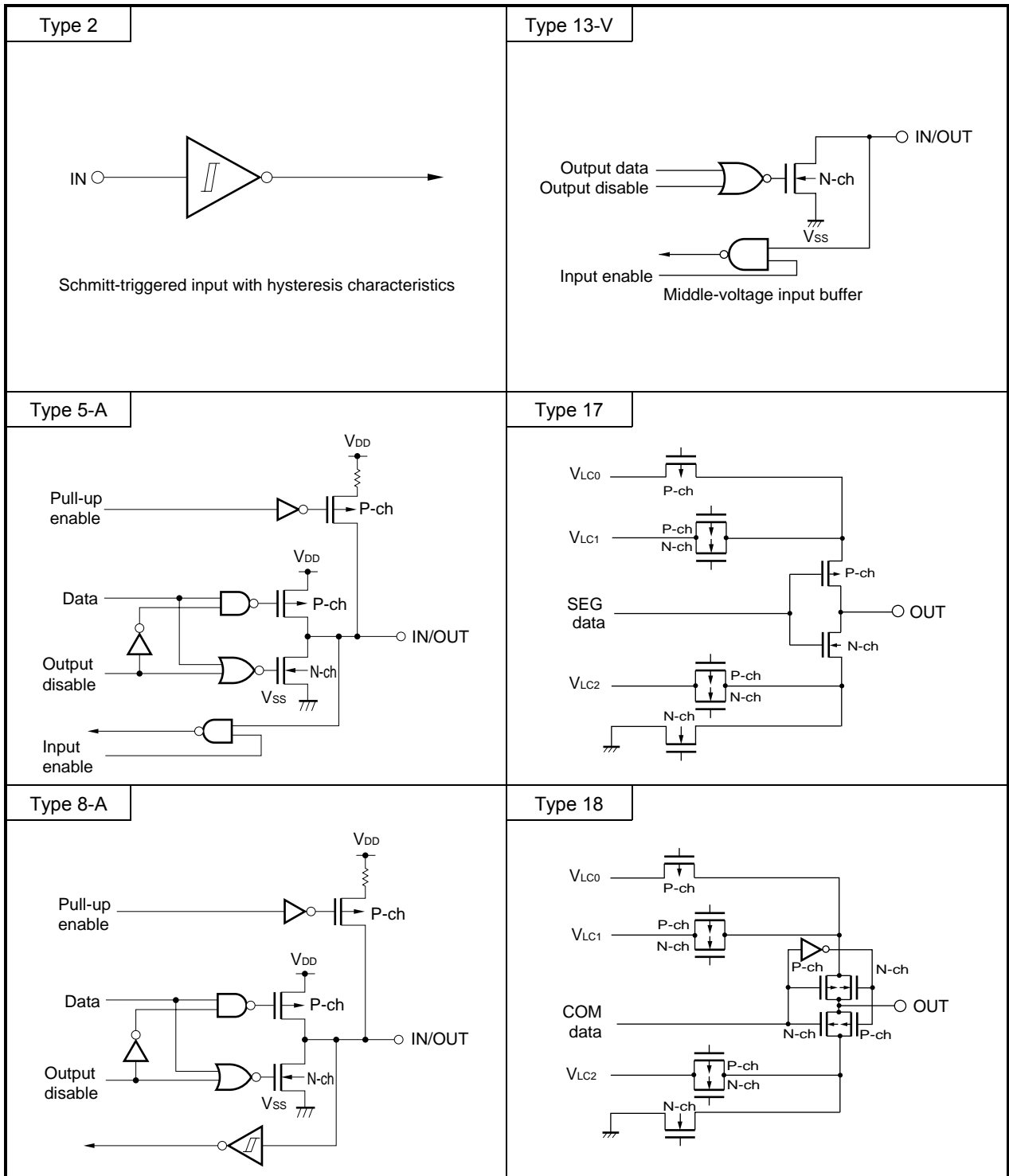
The I/O circuit type of each pin and recommended connection of unused pins are shown in Table 3-1.

For the I/O circuit configuration of each type, refer to Figure 3-1.

Table 3-1. Types of Pin I/O Circuits and Recommended Connection of Unused Pins

Pin Name	I/O Circuit Type	I/O	Recommended Connection of Unused Pins
P00/KR0 to P03/KR3	8-A	I/O	Input mode: Independently connect to V _{DD} or V _{SS} via a resistor. Output mode: Leave open.
P10 to P13	5-A		
P20/SCK10	8-A		
P21/SO10			
P22/SI10			
P23/SCK20/ASCK20			
P24/SO20/TxD20			
P25/SI20/RxD20			
P26/TO20			
P30/INTP0/CPT20			Input mode: Independently connect to V _{SS} via a resistor. Output mode: Leave open.
P31/INTP1/TO30/TM140			
P32/INTP2/TO40			
P33/INTP3			
P50 to P53	13-V		
S0 to S23	17	Output	Leave open.
COM0 to COM3	18		
V _{LC0} to V _{LC2}	–	–	
CAPH, CAPL	–		
XT1	–	Input	Connect to V _{SS} .
XT2	–	–	Leave open.
RESET	2	Input	–
V _{PP}	–	–	Connect directly to V _{SS} .

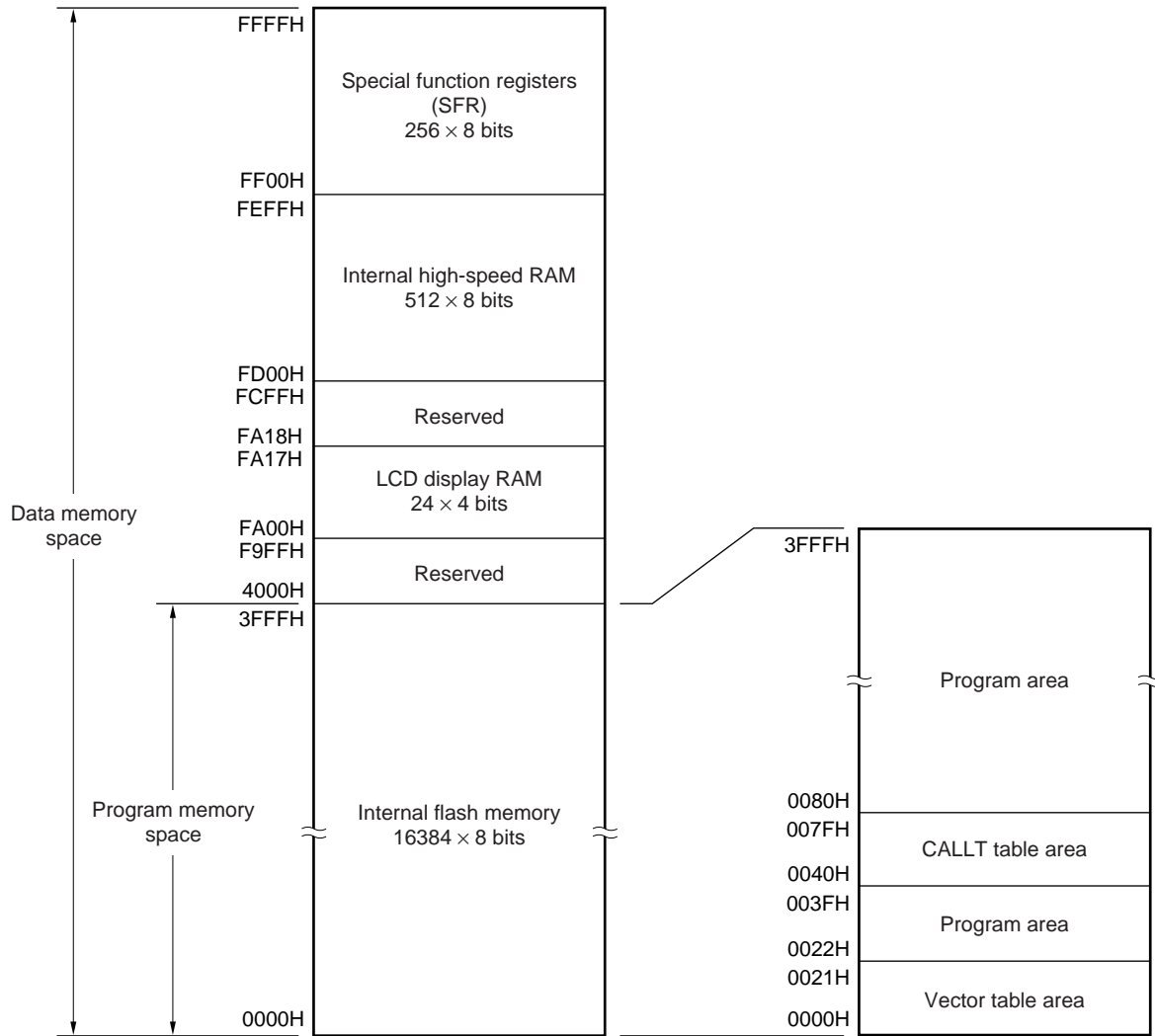
Figure 3-1. Pin I/O Circuits



4. MEMORY SPACE

Figure 4-1 shows the memory map.

Figure 4-1. Memory Map



5. FLASH MEMORY PROGRAMMING

The program memory that is incorporated in the μPD78F9306 and 78F9316 is flash memory.

With flash memory, it is possible to write programs on-board. Writing is performed by connecting a dedicated flash programmer (Flashpro III (Part No. FL-PR3, PG-FP3)) to the host machine and the target system.

Remark FL-PR3 is a product of Naito Densai Machida Mfg. Co., Ltd.

5.1 Selecting Communication Mode

Writing to flash memory is performed using the Flashpro III in a serial communication mode. Select one of the communication modes in Table 5-1. The selection of the communication mode is made by using the format shown in Figure 5-1. Each communication mode is selected using the number of V_{PP} pulses shown in Table 5-1.

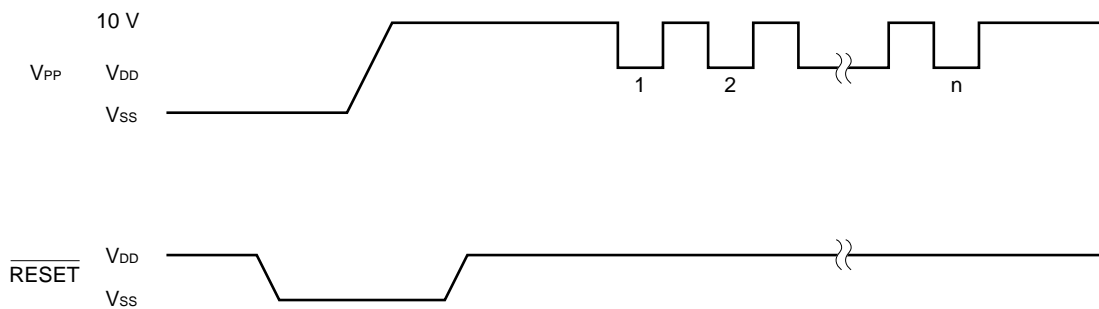
★

Table 5-1. List of Communication Mode

Communication Mode	Pins	V _{PP} Pulses
3-wire serial I/O	SCK10/P20 SO10/P21 SI10/P22	0
	P00/KR0 (serial clock input) P01/KR1 (serial data output) P02/KR2 (serial data input)	1
UART	TxD20/SO20/P24 RxD20/SI20/P25	8

Caution Be sure to select a communication mode using the number of V_{PP} pulses shown in Table 5-1.

Figure 5-1. Format of Communication Mode Selection



5.2 Function of Flash Memory Programming

Operations such as writing to flash memory are performed by various command/data transmission and reception operations according to the selected communication mode. Table 5-2 shows the major functions of flash memory programming.

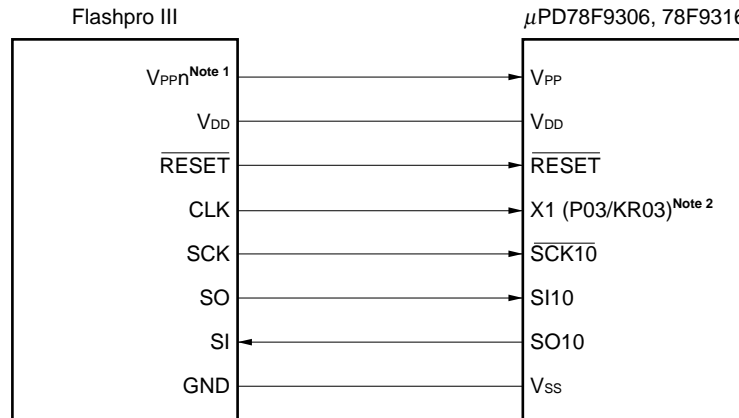
Table 5-2. Major Function of Flash Memory Programming

Function	Description
Batch erase	Deletes the entire memory contents.
Batch blank check	Checks the deletion status of the entire memory.
Data write	Performs a write operation to the flash memory based on the write start address and the number of data to be written (number of bytes).
Batch verify	Compares the entire memory contents with the input data.

5.3 Connecting Flashpro III

The connection of the Flashpro III and the μPD78F9306 and 78F9316 differs according to the communication mode (3-wire serial I/O or UART). The connections for each communication mode are shown in Figures 5-2 and 5-3, respectively.

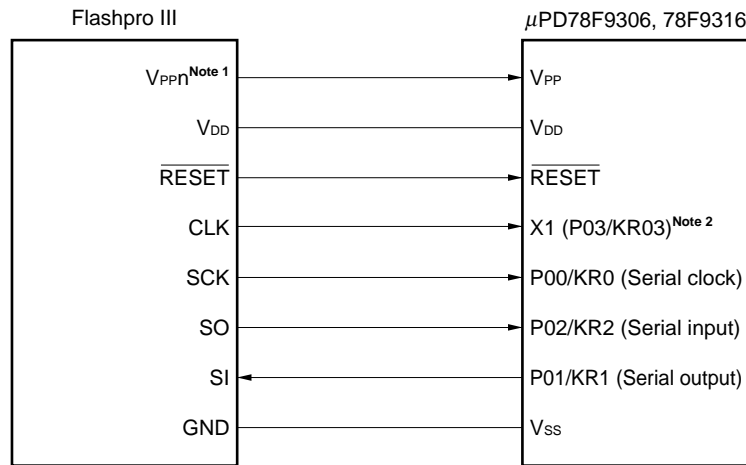
Figure 5-2. Connection Example of Flashpro III When Using 3-Wire Serial I/O Mode (1/2)



- Notes** 1. n = 1, 2
 2. Pin names enclosed in parentheses apply when using the μPD78F9316.

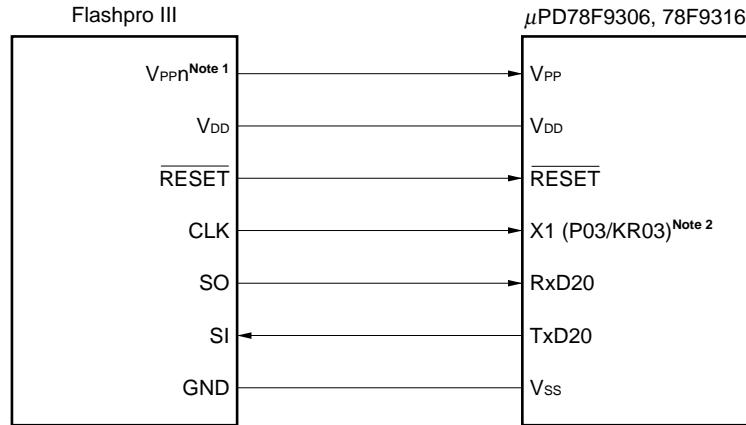
★

Figure 5-2. Connection Example of Flashpro III When Using 3-Wire Serial I/O Mode (2/2)



- Notes** 1. n = 1, 2
 2. Pin names enclosed in parentheses apply when using the μPD78F9316.

Figure 5-3. Connection Example of Flashpro III When Using UART Mode



- Notes** 1. n = 1, 2
 2. Pin names enclosed in parentheses apply when using the μPD78F9316.

5.4 Example of Settings for Flashpro III (PG-FP3)

When writing to flash memory using Flashpro III (PG-FP3), make the following settings.

- <1> Load a parameter file.
- <2> Select the mode of serial communication and serial clock with a type command.
- <3> Make the settings according to the example of settings for PG-FP3 shown below.

Table 5-3. Example of Settings for PG-FP3

Communication Mode	Example of Settings for PG-FP3		V _{PP} Pulse Number ^{Note 1}
3-wire serial I/O	COMM PORT	SIO-ch0	0
	CPU CLK	On Target Board	
		In Flashpro	
	On Target Board	4.1943 MHz	
	SIO CLK	1.0 MHz	
	In Flashpro	4.0 MHz	
	SIO CLK	1.0 MHz	1
	COMM PORT	SIO-ch1	
	CPU CLK	On Target Board	
		In Flashpro	
	On Target Board	4.1943 MHz	
	SIO CLK	1.0 MHz	
In Flashpro	4.0 MHz	8	
SIO CLK	1.0 MHz		
COMM PORT	UART-ch0		
CPU CLK	On Target Board		
On Target Board	4.1943 MHz		
UART BPS	9600 bps ^{Note 2}		

Notes 1. This is the number of V_{PP} pulses that are supplied by the Flashpro III at serial communication initialization. The pins that will be used for communication are determined according to this number.

2. Select one of 9600 bps, 19200 bps, 38400 bps, or 76800 bps.

Remark COMM PORT: Serial port selection
 SIO CLK: Serial clock frequency selection
 CPU CLK: Input CPU clock source selection

6. OVERVIEW OF INSTRUCTION SET

This section lists the instruction set for the μPD78F9306 and 78F9316.

6.1 Conventions

6.1.1 Operand expressions and description methods

Operands are described in “Operand” column of each instruction in accordance with the description method of the instruction operand expression (see the assembler specifications for details). When there are two or more description methods, select one of them. Uppercase letters and symbols, #, !, \$, and [] are key words and are described as they are. The meaning of each symbol is described below.

- # : Immediate data specification
- ! : Absolute address specification
- \$: Relative address specification
- [] : Indirect address specification

For immediate data, enter an appropriate numeric value or a label. When using a label, be sure to enter the #, !, \$ and [] symbols.

For operand register expressions, r and rp, either function names (X, A, C, etc.) or absolute names (names in parenthesis in the table below, R0, R1, R2, etc.) can be used for the description.

Table 6-1. Operand Expressions and Description Methods

Expression	Description Method
r rp sfr	X (R0), A (R1), C (R2), B (R3), E (R4), D (R5), L (R6), H (R7) AX (RP0), BC (RP1), DE (RP2), HL (RP3) Special function register symbol
saddr saddrp	FE20H to FF1FH: immediate data or label FE20H to FF1FH: immediate data or label (even addresses only)
addr16 addr5	0000H to FFFFH: immediate data or label (even addresses only for 16-bit data transfer instruction) 0040H to 007FH: immediate data or label (even addresses only)
word byte bit	16-bit immediate data or label 8-bit immediate data or label 3-bit immediate data or label

6.1.2 Description of “Operation” column

A:	A register; 8-bit accumulator
X:	X register
B:	B register
C:	C register
D:	D register
E:	E register
H:	H register
L:	L register
AX:	AX register pair; 16-bit accumulator
BC:	BC register pair
DE:	DE register pair
HL:	HL register pair
PC:	Program counter
SP:	Stack pointer
PSW:	Program status word
CY:	Carry flag
AC:	Auxiliary carry flag
Z:	Zero flag
IE:	Interrupt request enable flag
NMIS:	Flag indicating non-maskable interrupt servicing in progress
():	Memory contents indicated by address or register contents in parenthesis
X _H , X _L :	Higher 8 bits and lower 8 bits of 16-bit register
∧:	Logical product (AND)
∨:	Logical sum (OR)
⊕:	Exclusive logical sum (exclusive OR)
—:	Inverted data
addr16:	16-bit immediate data or label
jdisp8:	Signed 8-bit data (displacement value)

6.1.3 Description of “Flag” column

(Blank):	Unchanged
0:	Cleared to 0
1:	Set to 1
×:	Set/cleared according to the result
R:	Previously saved value is restored

6.2 List of Operations

Mnemonic	Operand	Bytes	Clocks	Operation	Flags		
					Z	AC	CY
MOV	r, #byte	3	6	$r \leftarrow \text{byte}$			
	saddr, #byte	3	6	$(\text{saddr}) \leftarrow \text{byte}$			
	sfr, #byte	3	6	$\text{sfr} \leftarrow \text{byte}$			
	A, r Note 1	2	4	$A \leftarrow r$			
	r, A Note 1	2	4	$r \leftarrow A$			
	A, saddr	2	4	$A \leftarrow (\text{saddr})$			
	saddr, A	2	4	$(\text{saddr}) \leftarrow A$			
	A, sfr	2	4	$A \leftarrow \text{sfr}$			
	sfr, A	2	4	$\text{sfr} \leftarrow A$			
	A, laddr16	3	8	$A \leftarrow (\text{addr16})$			
	laddr16, A	3	8	$(\text{addr16}) \leftarrow A$			
	PSW, #byte	3	6	$\text{PSW} \leftarrow \text{byte}$	×	×	×
	A, PSW	2	4	$A \leftarrow \text{PSW}$			
	PSW, A	2	4	$\text{PSW} \leftarrow A$	×	×	×
	A, [DE]	1	6	$A \leftarrow (\text{DE})$			
	[DE], A	1	6	$(\text{DE}) \leftarrow A$			
	A, [HL]	1	6	$A \leftarrow (\text{HL})$			
	[HL], A	1	6	$(\text{HL}) \leftarrow A$			
	A, [HL + byte]	2	6	$A \leftarrow (\text{HL} + \text{byte})$			
[HL + byte], A	2	6	$(\text{HL} + \text{byte}) \leftarrow A$				
XCH	A, X	1	4	$A \leftrightarrow X$			
	A, r Note 2	2	6	$A \leftrightarrow r$			
	A, saddr	2	6	$A \leftrightarrow (\text{saddr})$			
	A, sfr	2	6	$A \leftrightarrow (\text{sfr})$			
	A, [DE]	1	8	$A \leftrightarrow (\text{DE})$			
	A, [HL]	1	8	$A \leftrightarrow (\text{HL})$			
	A, [HL + byte]	2	8	$A \leftrightarrow (\text{HL} + \text{byte})$			
MOVW	rp, #word	3	6	$\text{rp} \leftarrow \text{word}$			
	AX, saddrp	2	6	$\text{AX} \leftarrow (\text{saddrp})$			
	saddrp, AX	2	8	$(\text{saddrp}) \leftarrow \text{AX}$			
	AX, rp Note 3	1	4	$\text{AX} \leftarrow \text{rp}$			
	rp, AX Note 3	1	4	$\text{rp} \leftarrow \text{AX}$			
XCHW	AX, rp Note 3	1	8	$\text{AX} \leftrightarrow \text{rp}$			

- Notes 1.** Except r = A
- 2.** Except r = A, X
- 3.** rp = BC, DE and HL only

Remark One instruction clock cycle is one CPU clock cycle (f_{CPU}) selected via the processor clock control register (PCC).

Mnemonic	Operand	Bytes	Clocks	Operation	Flags		
					Z	AC	CY
ADD	A, #byte	2	4	$A, CY \leftarrow A + \text{byte}$	×	×	×
	saddr, #byte	3	6	$(\text{saddr}), CY \leftarrow (\text{saddr}) + \text{byte}$	×	×	×
	A, r	2	4	$A, CY \leftarrow A + r$	×	×	×
	A, saddr	2	4	$A, CY \leftarrow A + (\text{saddr})$	×	×	×
	A, !addr16	3	8	$A, CY \leftarrow A + (\text{addr16})$	×	×	×
	A, [HL]	1	6	$A, CY \leftarrow A + (\text{HL})$	×	×	×
	A, [HL + byte]	2	6	$A, CY \leftarrow A + (\text{HL} + \text{byte})$	×	×	×
ADDC	A, #byte	2	4	$A, CY \leftarrow A + \text{byte} + CY$	×	×	×
	saddr, #byte	3	6	$(\text{saddr}), CY \leftarrow (\text{saddr}) + \text{byte} + CY$	×	×	×
	A, r	2	4	$A, CY \leftarrow A + r + CY$	×	×	×
	A, saddr	2	4	$A, CY \leftarrow A + (\text{saddr}) + CY$	×	×	×
	A, !addr16	3	8	$A, CY \leftarrow A + (\text{addr16}) + CY$	×	×	×
	A, [HL]	1	6	$A, CY \leftarrow A + (\text{HL}) + CY$	×	×	×
	A, [HL + byte]	2	6	$A, CY \leftarrow A + (\text{HL} + \text{byte}) + CY$	×	×	×
SUB	A, #byte	2	4	$A, CY \leftarrow A - \text{byte}$	×	×	×
	saddr, #byte	3	6	$(\text{saddr}), CY \leftarrow (\text{saddr}) - \text{byte}$	×	×	×
	A, r	2	4	$A, CY \leftarrow A - r$	×	×	×
	A, saddr	2	4	$A, CY \leftarrow A - (\text{saddr})$	×	×	×
	A, !addr16	3	8	$A, CY \leftarrow A - (\text{addr16})$	×	×	×
	A, [HL]	1	6	$A, CY \leftarrow A - (\text{HL})$	×	×	×
	A, [HL + byte]	2	6	$A, CY \leftarrow A - (\text{HL} + \text{byte})$	×	×	×
SUBC	A, #byte	2	4	$A, CY \leftarrow A - \text{byte} - CY$	×	×	×
	saddr, #byte	3	6	$(\text{saddr}), CY \leftarrow (\text{saddr}) - \text{byte} - CY$	×	×	×
	A, r	2	4	$A, CY \leftarrow A - r - CY$	×	×	×
	A, saddr	2	4	$A, CY \leftarrow A - (\text{saddr}) - CY$	×	×	×
	A, !addr16	3	8	$A, CY \leftarrow A - (\text{addr16}) - CY$	×	×	×
	A, [HL]	1	6	$A, CY \leftarrow A - (\text{HL}) - CY$	×	×	×
	A, [HL + byte]	2	6	$A, CY \leftarrow A - (\text{HL} + \text{byte}) - CY$	×	×	×
AND	A, #byte	2	4	$A \leftarrow A \wedge \text{byte}$	×		
	saddr, #byte	3	6	$(\text{saddr}) \leftarrow (\text{saddr}) \wedge \text{byte}$	×		
	A, r	2	4	$A \leftarrow A \wedge r$	×		
	A, saddr	2	4	$A \leftarrow A \wedge (\text{saddr})$	×		
	A, !addr16	3	8	$A \leftarrow A \wedge (\text{addr16})$	×		
	A, [HL]	1	6	$A \leftarrow A \wedge (\text{HL})$	×		
	A, [HL + byte]	2	6	$A \leftarrow A \wedge (\text{HL} + \text{byte})$	×		

Remark One instruction clock cycle is one CPU clock cycle (f_{cpu}) selected via the processor clock control register (PCC).

Mnemonic	Operand	Bytes	Clocks	Operation	Flags		
					Z	AC	CY
OR	A, #byte	2	4	$A \leftarrow A \vee \text{byte}$	×		
	saddr, #byte	3	6	$(\text{saddr}) \leftarrow (\text{saddr}) \vee \text{byte}$	×		
	A, r	2	4	$A \leftarrow A \vee r$	×		
	A, saddr	2	4	$A \leftarrow A \vee (\text{saddr})$	×		
	A, laddr16	3	8	$A \leftarrow A \vee (\text{addr16})$	×		
	A, [HL]	1	6	$A \leftarrow A \vee (\text{HL})$	×		
	A, [HL + byte]	2	6	$A \leftarrow A \vee (\text{HL} + \text{byte})$	×		
XOR	A, #byte	2	4	$A \leftarrow A \nabla \text{byte}$	×		
	saddr, #byte	3	6	$(\text{saddr}) \leftarrow (\text{saddr}) \nabla \text{byte}$	×		
	A, r	2	4	$A \leftarrow A \nabla r$	×		
	A, saddr	2	4	$A \leftarrow A \nabla (\text{saddr})$	×		
	A, laddr16	3	8	$A \leftarrow A \nabla (\text{addr16})$	×		
	A, [HL]	1	6	$A \leftarrow A \nabla (\text{HL})$	×		
	A, [HL + byte]	2	6	$A \leftarrow A \nabla (\text{HL} + \text{byte})$	×		
CMP	A, #byte	2	4	$A - \text{byte}$	×	×	×
	saddr, #byte	3	6	$(\text{saddr}) - \text{byte}$	×	×	×
	A, r	2	4	$A - r$	×	×	×
	A, saddr	2	4	$A - (\text{saddr})$	×	×	×
	A, laddr16	3	8	$A - (\text{addr16})$	×	×	×
	A, [HL]	1	6	$A - (\text{HL})$	×	×	×
	A, [HL + byte]	2	6	$A - (\text{HL} + \text{byte})$	×	×	×
ADDW	AX, #word	3	6	$\text{AX}, \text{CY} \leftarrow \text{AX} + \text{word}$	×	×	×
SUBW	AX, #word	3	6	$\text{AX}, \text{CY} \leftarrow \text{AX} - \text{word}$	×	×	×
CMPW	AX, #word	3	6	$\text{AX} - \text{word}$	×	×	×
INC	r	2	4	$r \leftarrow r + 1$	×	×	
	saddr	2	4	$(\text{saddr}) \leftarrow (\text{saddr}) + 1$	×	×	
DEC	r	2	4	$r \leftarrow r - 1$	×	×	
	saddr	2	4	$(\text{saddr}) \leftarrow (\text{saddr}) - 1$	×	×	
INCW	rp	1	4	$\text{rp} \leftarrow \text{rp} + 1$			
DECW	rp	1	4	$\text{rp} \leftarrow \text{rp} - 1$			
ROR	A, 1	1	2	$(\text{CY}, \text{A}_7 \leftarrow \text{A}_0, \text{A}_{m-1} \leftarrow \text{A}_m) \times 1 \text{ time}$			×
ROL	A, 1	1	2	$(\text{CY}, \text{A}_0 \leftarrow \text{A}_7, \text{A}_{m+1} \leftarrow \text{A}_m) \times 1 \text{ time}$			×
RORC	A, 1	1	2	$(\text{CY} \leftarrow \text{A}_0, \text{A}_7 \leftarrow \text{CY}, \text{A}_{m-1} \leftarrow \text{A}_m) \times 1 \text{ time}$			×
ROLC	A, 1	1	2	$(\text{CY} \leftarrow \text{A}_7, \text{A}_0 \leftarrow \text{CY}, \text{A}_{m+1} \leftarrow \text{A}_m) \times 1 \text{ time}$			×

Remark One instruction clock cycle is one CPU clock cycle (f_{CPU}) selected via the processor clock control register (PCC).

Mnemonic	Operand	Bytes	Clocks	Operation	Flags		
					Z	AC	CY
SET1	saddr. bit	3	6	(saddr. bit) ← 1			
	sfr. bit	3	6	sfr. bit ← 1			
	A. bit	2	4	A. bit ← 1			
	PSW. bit	3	6	PSW. bit ← 1	×	×	×
	[HL]. bit	2	10	(HL). bit ← 1			
CLR1	saddr. bit	3	6	(saddr. bit) ← 0			
	sfr. bit	3	6	sfr. bit ← 0			
	A. bit	2	4	A. bit ← 0			
	PSW. bit	3	6	PSW. bit ← 0	×	×	×
	[HL]. bit	2	10	(HL). bit ← 0			
SET1	CY	1	2	CY ← 1			1
CLR1	CY	1	2	CY ← 0			0
NOT1	CY	1	2	CY ← $\overline{\text{CY}}$			×
CALL	!addr16	3	6	(SP - 1) ← (PC + 3) _H , (SP - 2) ← (PC + 3) _L , PC ← addr16, SP ← SP - 2			
CALLT	[addr5]	1	8	(SP - 1) ← (PC + 1) _H , (SP - 2) ← (PC + 1) _L , PC _H ← (00000000, addr5 + 1), PC _L ← (00000000, addr5), SP ← SP - 2			
RET		1	6	PC _H ← (SP + 1), PC _L ← (SP), SP ← SP + 2			
RETI		1	8	PC _H ← (SP + 1), PC _L ← (SP), PSW ← (SP + 2), SP ← SP + 3, NMIS ← 0	R	R	R
PUSH	PSW	1	2	(SP - 1) ← PSW, SP ← SP - 1			
	rp	1	4	(SP - 1) ← rp _H , (SP - 2) ← rp _L , SP ← SP - 2			
POP	PSW	1	4	PSW ← (SP), SP ← SP + 1	R	R	R
	rp	1	6	rp _H ← (SP + 1), rp _L ← (SP), SP ← SP + 2			
MOVW	SP, AX	2	8	SP ← AX			
	AX, SP	2	6	AX ← SP			
BR	!addr16	3	6	PC ← addr16			
	\$addr16	2	6	PC ← PC + 2 + jdisp8			
	AX	1	6	PC _H ← A, PC _L ← X			

Remark One instruction clock cycle is one CPU clock cycle (f_{cpu}) selected via the processor clock control register (PCC).

Mnemonic	Operand	Bytes	Clocks	Operation	Flags		
					Z	AC	CY
BC	\$addr16	2	6	PC ← PC + 2 + jdisp8 if CY = 1			
BNC	\$addr16	2	6	PC ← PC + 2 + jdisp8 if CY = 0			
BZ	\$addr16	2	6	PC ← PC + 2 + jdisp8 if Z = 1			
BNZ	\$addr16	2	6	PC ← PC + 2 + jdisp8 if Z = 0			
BT	saddr. bit, \$addr16	4	10	PC ← PC + 4 + jdisp8 if (saddr. bit) = 1			
	sfr. bit, \$addr16	4	10	PC ← PC + 4 + jdisp8 if sfr. bit = 1			
	A. bit, \$addr16	3	8	PC ← PC + 3 + jdisp8 if A. bit = 1			
	PSW. bit, \$addr16	4	10	PC ← PC + 4 + jdisp8 if PSW. bit = 1			
BF	saddr. bit, \$addr16	4	10	PC ← PC + 4 + jdisp8 if (saddr. bit) = 0			
	sfr. bit, \$addr16	4	10	PC ← PC + 4 + jdisp8 if sfr. bit = 0			
	A. bit, \$addr16	3	8	PC ← PC + 3 + jdisp8 if A. bit = 0			
	PSW. bit, \$addr16	4	10	PC ← PC + 4 + jdisp8 if PSW. bit = 0			
DBNZ	B, \$addr16	2	6	B ← B – 1, then PC ← PC + 2 + jdisp8 if B ≠ 0			
	C, \$addr16	2	6	C ← C – 1, then PC ← PC + 2 + jdisp8 if C ≠ 0			
	saddr, \$addr16	3	8	(saddr) ← (saddr) – 1, then PC ← PC + 3 + jdisp8 if (saddr) ≠ 0			
NOP		1	2	No Operation			
EI		3	6	IE ← 1 (Enable Interrupt)			
DI		3	6	IE ← 0 (Disable Interrupt)			
HALT		1	2	Set HALT Mode			
STOP		1	2	Set STOP Mode			

Remark One instruction clock cycle is one CPU clock cycle (f_{CPU}) selected via the processor clock control register (PCC).

7. ELECTRICAL SPECIFICATIONS

Absolute Maximum Ratings (T_A = 25°C)

Parameter	Symbol	Conditions		Ratings	Unit
Power supply voltage	V _{DD}			-0.3 to +6.5	V
	V _{PP}			-0.3 to +10.5	V
Input voltage	V _{I1}	P00 to P03, P10 to P13, P20 to P26, P30 to P33, X1 (CL1), X2 (CL2), XT1, XT2, RESET		-0.3 to V _{DD} + 0.3 ^{Note}	V
	V _{I2}	P50 to P53	N-ch open drain	-0.3 to +13	V
Output voltage	V _O			-0.3 to V _{DD} + 0.3 ^{Note}	V
Output current, high	I _{OH}	1 pin		-10	mA
		Total for all pins		-30	mA
Output current, low	I _{OL}	1 pin		30	mA
		Total for all pins		160	mA
Operating ambient temperature	T _A	In normal operation mode		-40 to +85	°C
		During flash memory programming		10 to 40	°C
Storage temperature	T _{stg}			-40 to +125	°C

Note 6.5 V or less

Caution Product quality may suffer if the absolute maximum rating is exceeded even momentarily for any parameter. That is, the absolute maximum ratings are rated values at which the product is on the verge of suffering physical damage, and therefore the product must be used under conditions that ensure that the absolute maximum ratings are not exceeded.

- Remarks**
1. Pin names enclosed in parentheses apply when using the μPD78F9316.
 2. Unless specified otherwise, the characteristics of alternate-function pins are the same as those of port pins.

Main System Clock Oscillator Characteristics

Ceramic/crystal oscillation (μPD78F9306)

(T_A = -40 to +85°C, V_{DD} = 1.8 to 5.5 V)

Resonator	Recommended Circuit	Parameter	Conditions	MIN.	TYP.	MAX.	Unit
Ceramic resonator		Oscillation frequency (f _x) ^{Note 1}		1.0		5.0	MHz
		Oscillation stabilization time ^{Note 2}	After V _{DD} reaches oscillation voltage range MIN.			4	ms
Crystal resonator		Oscillation frequency ^{Note 1}		1.0		5.0	MHz
		Oscillation stabilization time ^{Note 2}	V _{DD} = 4.5 to 5.5 V			10	ms
External clock		X1 input frequency (f _x) ^{Note 1}		1.0		5.0	MHz
		X1 input high-/low-level width (t _{xH} , t _{xL})		85		500	ns
		X1 input frequency (f _x) ^{Note 1}	V _{DD} = 2.7 to 5.5 V	1.0		5.0	MHz
		X1 input high-/low-level width (t _{xH} , t _{xL})	V _{DD} = 2.7 to 5.5 V	85		500	ns

★

- Notes**
- Indicates only oscillator characteristics. Refer to **AC Characteristics** for instruction execution time.
 - Time required to stabilize oscillation after reset or STOP mode release. Use a resonator whose oscillation stabilizes within the oscillation stabilization wait time.

Cautions

- When using the main system clock oscillator, wire as follows in the area enclosed by the broken lines in the above figures to avoid an adverse effect from wiring capacitance.

- Keep the wiring length as short as possible.
- Do not cross the wiring with the other signal lines.
- Do not route the wiring near a signal line through which a high fluctuating current flows.
- Always make the ground point of the oscillator capacitor the same potential as V_{SS}.
- Do not ground the capacitor to a ground pattern through which a high current flows.
- Do not fetch signals from the oscillator.

- When the main system clock is stopped and the device is operating on the subsystem clock, wait until the oscillation stabilization time has been secured by the program before switching back to the main system clock.

Remark For the resonator selection and oscillator constant, customers are requested to either evaluate the oscillation themselves or apply to the resonator manufacturer for evaluation.

RC oscillation (μPD78F9316)

(T_A = -40 to +85°C, V_{DD} = 1.8 to 5.5 V)

Resonator	Recommended Circuit	Parameter	Conditions	MIN.	TYP.	MAX.	Unit
RC resonator		Oscillation frequency (f _{cc}) ^{Note 1}		2.0		4.0	MHz
		Oscillation stabilization time ^{Note 2}	V _{DD} = 2.7 to 5.5 V	32			ms
External clock		CL1 input frequency (f _{cc}) ^{Note 1}		1.0		4.0	MHz
		CL1 input high-/low-level width (t _{xH} , t _{xL})		100		500	ns
		CL1 input frequency (f _{cc}) ^{Note 1}	V _{DD} = 2.7 to 5.5 V	1.0		4.0	MHz
		CL1 input high-/low-level width (t _{xH} , t _{xL})	V _{DD} = 2.7 to 5.5 V	100		500	ns

- Notes**
1. Indicates only oscillator characteristics. Refer to **AC Characteristics** for instruction execution time. The error of capacitor (C) and resistor (R) is not included.
 2. Time required to stabilize oscillation after reset or STOP mode release. Use a resonator whose oscillation stabilizes within the oscillation stabilization wait time.

Cautions 1. When using the main system clock oscillator, wire as follows in the area enclosed by the broken lines in the above figure to avoid an adverse effect from wiring capacitance.

- Keep the wiring length as short as possible.
- Do not cross the wiring with the other signal lines.
- Do not route the wiring near a signal line through which a high fluctuating current flows.
- Always make the ground point of the oscillator capacitor the same potential as V_{SS}.
- Do not ground the capacitor to a ground pattern through which a high current flows.
- Do not fetch signals from the oscillator.

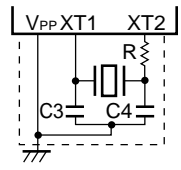
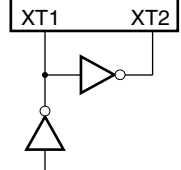
2. When the main system clock is stopped and the device is operating on the subsystem clock, wait until the oscillation stabilization time has been secured by the program before switching back to the main system clock.

★ RC Oscillation Frequency Characteristics (T_A = -40 to +85°C)

Parameter	Symbol	Conditions		MIN.	TYP.	MAX.	Unit
Oscillation frequency	f _{cc1}	R = 11.0 kΩ,	V _{DD} = 2.7 to 5.5 V	1.5	2.0	2.5	MHz
	f _{cc2}	C = 22 pF	V _{DD} = 1.8 to 3.6 V	0.5	2.0	2.5	MHz
	f _{cc3}	Target: 2 MHz	V _{DD} = 1.8 to 5.5 V	0.5	2.0	2.5	MHz
	f _{cc4}	R = 6.8 kΩ,	V _{DD} = 2.7 to 5.5 V	2.5	3.0	3.5	MHz
	f _{cc5}	C = 22 pF	V _{DD} = 1.8 to 3.6 V	0.75	3.0	3.5	MHz
	f _{cc6}	Target: 3 MHz	V _{DD} = 1.8 to 5.5 V	0.75	3.0	3.5	MHz
	f _{cc7}	R = 4.7 kΩ,	V _{DD} = 2.7 to 5.5 V	3.5	4.0	4.7	MHz
	f _{cc8}	C = 22 pF	V _{DD} = 1.8 to 3.6 V	1.0	4.0	4.7	MHz
	f _{cc9}	Target: 4 MHz	V _{DD} = 1.8 to 5.5 V	1.0	4.0	4.7	MHz

- Remarks**
1. Set RC to one of the above nine values so that the typical value of the oscillation frequency is within 2.0 to 4.0 MHz.
 2. The resistor (R) and capacitor (C) error is not included.

Subsystem Clock Oscillator Characteristics (T_A = -40 to +85°C, V_{DD} = 1.8 to 5.5 V)

Resonator	Recommended Circuit	Parameter	Conditions	MIN.	TYP.	MAX.	Unit
Crystal resonator		Oscillation frequency (f _{XT}) ^{Note 1}		32	32.768	35	kHz
		Oscillation stabilization time ^{Note 2}	V _{DD} = 4.5 to 5.5 V		1.2	2	s
External clock		XT1 input frequency (f _{XT}) ^{Note 1}		32		35	kHz
		XT1 input high-/low-level width (t _{XTH} , t _{XTL})		14.3		15.6	μs

- Notes**
1. Indicates only oscillator characteristics. Refer to **AC Characteristics** for instruction execution time.
 2. Time required to stabilize oscillation after V_{DD} reaches oscillation voltage range MIN.

Cautions 1. When using the subsystem clock oscillator, wire as follows in the area enclosed by the broken lines in the above figure to avoid an adverse effect from wiring capacitance.

- Keep the wiring length as short as possible.
- Do not cross the wiring with the other signal lines.
- Do not route the wiring near a signal line through which a high fluctuating current flows.
- Always make the ground point of the oscillator capacitor the same potential as V_{SS}.
- Do not ground the capacitor to a ground pattern through which a high current flows.
- Do not fetch signals from the oscillator.

2. The subsystem clock oscillator is designed as a low-amplitude circuit for reducing current consumption, and is more prone to malfunction due to noise than the main system clock oscillator. Particular care is therefore required with the wiring method when the subsystem clock is used.

Remark For the resonator selection and oscillator constant, customers are requested to either evaluate the oscillation themselves or apply to the resonator manufacturer for evaluation.

DC Characteristics (T_A = -40 to +85°C, V_{DD} = 1.8 to 5.5 V) (1/4)

Parameter	Symbol	Conditions		MIN.	TYP.	MAX.	Unit	
Output current, low	I _{OL}	1 pin				10	mA	
		All pins				80	mA	
Output current, high	I _{OH}	1 pin				-1	mA	
		All pins				-15	mA	
Input voltage, high	V _{IH1}	P10 to P13		V _{DD} = 2.7 to 5.5 V		V _{DD}	V	
					0.7V _{DD}		V _{DD}	V
	V _{IH2}	P50 to P53	N-ch open drain	V _{DD} = 2.7 to 5.5 V		12	V	
					0.7V _{DD}		12	V
	V _{IH3}	RESET, P00 to P03, P20 to P26, P30 to P33		V _{DD} = 2.7 to 5.5 V		V _{DD}	V	
					0.8V _{DD}		V _{DD}	V
	V _{IH4}	X1 (CL1), X2 (CL2), XT1, XT2		V _{DD} = 4.5 to 5.5 V	V _{DD} - 0.5		V _{DD}	V
					V _{DD} - 0.1		V _{DD}	V
Input voltage, low	V _{IL1}	P10 to P13		V _{DD} = 2.7 to 5.5 V	0	0.3V _{DD}	V	
					0	0.1V _{DD}	V	
	V _{IL2}	P50 to P53		V _{DD} = 2.7 to 5.5 V	0	0.3V _{DD}	V	
					0	0.1V _{DD}	V	
	V _{IL3}	RESET, P00 to P03, P20 to P26, P30 to P33		V _{DD} = 2.7 to 5.5 V	0	0.2V _{DD}	V	
					0	0.1V _{DD}	V	
	V _{IL4}	X1 (CL1), X2 (CL2), XT1, XT2		V _{DD} = 4.5 to 5.5 V	0	0.4	V	
					0	0.1	V	
Output voltage, high	V _{OH}	I _{OH} = -1 mA		V _{DD} = 4.5 to 5.5 V	V _{DD} - 1.0		V	
		I _{OH} = -100 μA		V _{DD} = 1.8 to 5.5 V	V _{DD} - 0.5		V	
Output voltage, low	V _{OL1}	P00 to P03, P10 to P13, P20 to P26, P30 to P33		4.5 ≤ V _{DD} ≤ 5.5 V, I _{OL} = 10 mA		1.0	V	
				1.8 ≤ V _{DD} < 4.5 V, I _{OL} = 400 μA		0.5	V	
	V _{OL2}	P50 to P53		4.5 ≤ V _{DD} < 5.5 V, I _{OL} = 10 mA		1.0	V	
				1.8 ≤ V _{DD} < 4.5 V, I _{OL} = 1.6 mA		0.4	V	

- Remarks**
1. Pin names enclosed in parentheses apply when using the μPD78F9316.
 2. Unless specified otherwise, the characteristics of alternate-function pins are the same as those of port pins.

DC Characteristics (T_A = -40 to +85°C, V_{DD} = 1.8 to 5.5 V) (2/4)

Parameter	Symbol	Conditions		MIN.	TYP.	MAX.	Unit
Input leakage current, high	I _{LIH1}	V _{IN} = V _{DD}	P00 to P03, P10 to P13, P20 to P26, P30 to P33, RESET			3	μA
	I _{LIH2}		X1 (CL1), X2 (CL2), XT1, XT2			20	μA
	I _{LIH3}	V _{IN} = 12 V	P50 to P53 (N-ch open drain)			20	μA
Input leakage current, low	I _{LIL1}	V _{IN} = 0 V	P00 to P03, P10 to P13, P20 to P26, P30 to P33, RESET			-3	μA
	I _{LIL2}		X1 (CL1), X2 (CL2), XT1, XT2			-20	μA
	I _{LIL3}		P50 to P53 (N-ch open drain)			-3 ^{Note}	μA
Output leakage current, high	I _{LOH}	V _{OUT} = V _{DD}				3	μA
Output leakage current, low	I _{LOL}	V _{OUT} = 0 V				-3	μA
Software pull-up resistor	R ₁	V _{IN} = 0 V	P00 to P03, P10 to P13, P20 to P26, P30 to P33	50	100	200	kΩ

Note If P50 to P53 have been set to input mode when a read instruction is executed to read from P50 to P53, a low-level input leakage current of up to -30 μA flows during only one cycle. At all other times, the maximum leakage current is -3 μA.

- Remarks**
1. Pin names enclosed in parentheses apply when using the μPD78F9316.
 2. Unless specified otherwise, the characteristics of alternate-function pins are the same as those of port pins.

★ DC Characteristics (T_A = -40 to +85°C, V_{DD} = 1.8 to 5.5 V) (3/4)

Parameter	Symbol	Conditions		MIN.	TYP.	MAX.	Unit	
Power supply current ^{Note 1} (Ceramic/crystal oscillation)	I _{DD1}	5.0 MHz crystal oscillation operation mode (C1 = C2 = 22 pF)	V _{DD} = 5.0 V ±10% ^{Note 2}		4.5	9	mA	
			V _{DD} = 3.0 V ±10% ^{Note 3}		1	2	mA	
			V _{DD} = 2.0 V ±10% ^{Note 3}		0.65	1.5	mA	
	I _{DD2}	5.0 MHz crystal oscillation HALT mode (C1 = C2 = 22 pF)	V _{DD} = 5.0 V ±10% ^{Note 2}		1.4	2	mA	
			V _{DD} = 3.0 V ±10% ^{Note 3}		0.4	0.8	mA	
			V _{DD} = 2.0 V ±10% ^{Note 3}		0.19	0.42	mA	
	I _{DD3}	32.768 kHz crystal oscillation operation mode ^{Note 4} (C3 = C4 = 22 pF, R1 = 220 kΩ)	V _{DD} = 5.0 V ±10%		100	230	μA	
			V _{DD} = 3.0 V ±10%		70	160	μA	
			V _{DD} = 2.0 V ±10%		58	120	μA	
	I _{DD4}	32.768 kHz crystal oscillation HALT mode ^{Note 4} (C3 = C4 = 22 pF, R1 = 220 kΩ)	LCD not operating	V _{DD} = 5.0 V ±10%		25	65	μA
				V _{DD} = 3.0 V ±10%		7	29	μA
				V _{DD} = 2.0 V ±10%		4	20	μA
			LCD operating ^{Note 5}	V _{DD} = 5.0 V ±10%		28	70	μA
				V _{DD} = 3.0 V ±10%		9.6	34	μA
				V _{DD} = 2.0 V ±10%		6	25	μA
I _{DD5}	STOP mode ^{Note 6}	V _{DD} = 5.0 V ±10%		0.1	17	μA		
		V _{DD} = 3.0 V ±10%		0.05	5.5	μA		
		V _{DD} = 2.0 V ±10%		0.05	3.5	μA		

- Notes**
1. The port current (including the current that flows to the on-chip pull-up resistors) is not included.
 2. High-speed mode operation (when processor clock control register (PCC) is set to 00H)
 3. Low-speed mode operation (when PCC is set to 02H)
 4. When the main system clock is stopped
 5. This is the total current that flows when the LCD controller/driver is operating (LCDON0 = 1, VAON0 = 1, LIPS0 = 1). The power supply current when the LCD is not operating (LCDON0 = 0, VAON0 = 1, LIPS0 = 0) is included in I_{DD2}.
 6. This is the current when the LCD booster circuit is stopped (LCDON0 = 0, VAON0 = 1).

Remark Unless specified otherwise, the characteristics of alternate-function pins are the same as those of port pins.

★ DC Characteristics (T_A = -40 to +85°C, V_{DD} = 1.8 to 5.5 V) (4/4)

Parameter	Symbol	Conditions		MIN.	TYP.	MAX.	Unit	
Power supply current ^{Note 1} (RC oscillation)	I _{DD1}	4.0 MHz RC oscillation operation mode (R = 4.7 kΩ, C = 22 pF)	V _{DD} = 5.0 V ±10% ^{Note 2}		6	9	mA	
			V _{DD} = 3.0 V ±10% ^{Note 3}		2.0	2.5	mA	
			V _{DD} = 2.0 V ±10% ^{Note 3}		1.2	1.6	mA	
	I _{DD2}	4.0 MHz RC oscillation HALT mode (R = 4.7 kΩ, C = 22 pF)	V _{DD} = 5.0 V ±10% ^{Note 2}		2.5	3.5	mA	
			V _{DD} = 3.0 V ±10% ^{Note 3}		1.5	2	mA	
			V _{DD} = 2.0 V ±10% ^{Note 3}		0.8	1.5	mA	
	I _{DD3}	32.768 kHz crystal oscillation operation mode ^{Note 4} (C3 = C4 = 22 pF, R1 = 220 kΩ)	V _{DD} = 5.0 V ±10%		100	230	μA	
			V _{DD} = 3.0 V ±10%		70	160	μA	
			V _{DD} = 2.0 V ±10%		58	120	μA	
	I _{DD4}	32.768 kHz crystal oscillation HALT mode ^{Note 4} (C3 = C4 = 22 pF, R1 = 220 kΩ)	LCD not operating	V _{DD} = 5.0 V ±10%		25	65	μA
				V _{DD} = 3.0 V ±10%		7	29	μA
				V _{DD} = 2.0 V ±10%		4	20	μA
			LCD operating ^{Note 5}	V _{DD} = 5.0 V ±10%		28	70	μA
				V _{DD} = 3.0 V ±10%		9.6	34	μA
				V _{DD} = 2.0 V ±10%		6	25	μA
I _{DD5}	STOP mode ^{Note 6}	V _{DD} = 5.0 V ±10%		0.1	17	μA		
		V _{DD} = 3.0 V ±10%		0.05	5.5	μA		
		V _{DD} = 2.0 V ±10%		0.05	3.5	μA		

- Notes**
1. The port current (including the current that flows to the on-chip pull-up resistors) is not included.
 2. High-speed mode operation (when processor clock control register (PCC) is set to 00H)
 3. Low-speed mode operation (when PCC is set to 02H)
 4. When the main system clock is stopped
 5. This is the total current that flows when the LCD controller/driver is operating (LCDON0 = 1, VAON0 = 1, LIPS0 = 1). The power supply current when the LCD is not operating (LCDON0 = 0, VAON0 = 1, LIPS0 = 0) is included in I_{DD2}.
 6. This is the current when the LCD booster circuit is stopped (LCDON0 = 0, VAON0 = 1).

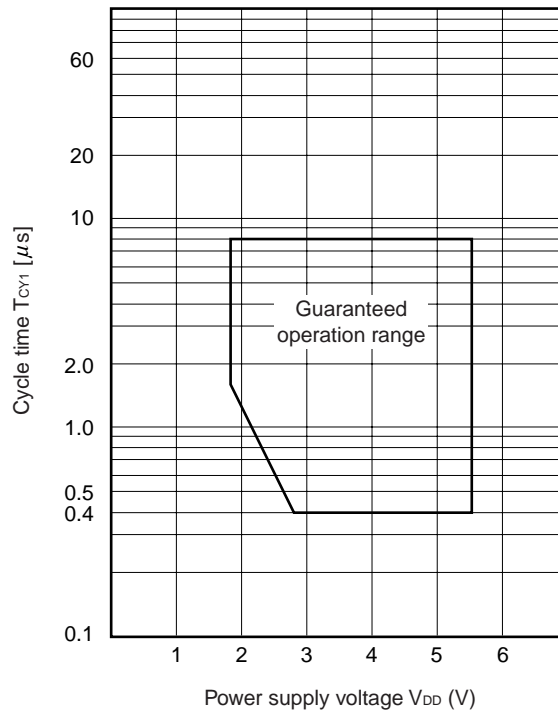
Remark Unless specified otherwise, the characteristics of alternate-function pins are the same as those of port pins.

AC Characteristics

(1) Basic operation ($T_A = -40$ to $+85^\circ\text{C}$, $V_{DD} = 1.8$ to 5.5 V)

Parameter	Symbol	Conditions	MIN.	TYP.	MAX.	Unit	
Cycle time (minimum instruction execution time)	T_{CY}	Operating with main system clock	$V_{DD} = 2.7$ to 5.5 V	0.4		8.0	μs
				1.6		8.0	μs
		Operating with subsystem clock	114	122	125	μs	
TMI40 input frequency	f_{TMI}	$V_{DD} = 2.7$ to 5.5 V	0		4	MHz	
			0		275	kHz	
★ TMI40 input high-/low-level width	t_{TIMH} , t_{TIML}	$V_{DD} = 2.7$ to 5.5 V	0.1			μs	
			1.8			μs	
Interrupt input high-/low-level width	t_{INTH} , t_{INTL}	INTP0 to INTP3	10			μs	
Key return input low-level width	t_{KRL}	KR00 to KR03	10			μs	
RESET low-level width	t_{RSL}		10			μs	
CPT20 input high-/low-level width	t_{CPH} , t_{CPL}		10			μs	

T_{CY} vs V_{DD} (main system clock)



(2) Serial interface 10, 20 (SIO10, SIO20) (T_A = -40 to +85°C, V_{DD} = 1.8 to 5.5 V)

(a) 3-wire serial I/O mode (internal clock output)

Parameter	Symbol	Conditions	MIN.	TYP.	MAX.	Unit
SCKn0 cycle time	t _{KCY1}	V _{DD} = 2.7 to 5.5 V	800			ns
			3200			ns
SCKn0 high-/low-level width	t _{KH1} , t _{KL1}	V _{DD} = 2.7 to 5.5 V	t _{KCY1} /2-50			ns
			t _{KCY1} /2-150			ns
SIn0 setup time (to SCKn0↑)	t _{SIK1}	V _{DD} = 2.7 to 5.5 V	150			ns
			500			ns
SIn0 hold time (from SCKn0↑)	t _{KSI1}	V _{DD} = 2.7 to 5.5 V	400			ns
			600			ns
Delay time from SCKn0↓ to SOn0 output	t _{KSO1}	R = 1 kΩ, C = 100 pF ^{Note}	V _{DD} = 2.7 to 5.5 V		250	ns
				0	1000	ns

Note R and C are the load resistance and load capacitance of the SOn0 output lines.

Remark n = 1, 2

(b) 3-wire serial I/O mode (external clock input)

Parameter	Symbol	Conditions	MIN.	TYP.	MAX.	Unit
SCKn0 cycle time	t _{KCY2}	V _{DD} = 2.7 to 5.5 V	800			ns
			3200			ns
SCKn0 high-/low-level width	t _{KH2} , t _{KL2}	V _{DD} = 2.7 to 5.5 V	400			ns
			1600			ns
SIn0 setup time (to SCKn0↑)	t _{SIK2}	V _{DD} = 2.7 to 5.5 V	100			ns
			150			ns
SIn0 hold time (from SCKn0↑)	t _{KSI2}	V _{DD} = 2.7 to 5.5 V	400			ns
			600			ns
Delay time from SCKn0↓ to SOn0 output	t _{KSO2}	R = 1 kΩ, C = 100 pF ^{Note}	V _{DD} = 2.7 to 5.5 V		300	ns
				0	1000	ns

Note R and C are the load resistance and load capacitance of the SOn0 output lines.

Remark n = 1, 2

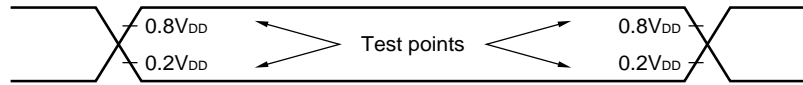
(c) UART mode (SIO20 only) (dedicated baud rate generator output)

Parameter	Symbol	Conditions	MIN.	TYP.	MAX.	Unit
Transfer rate		V _{DD} = 2.7 to 5.5 V			78125	bps
					19531	bps

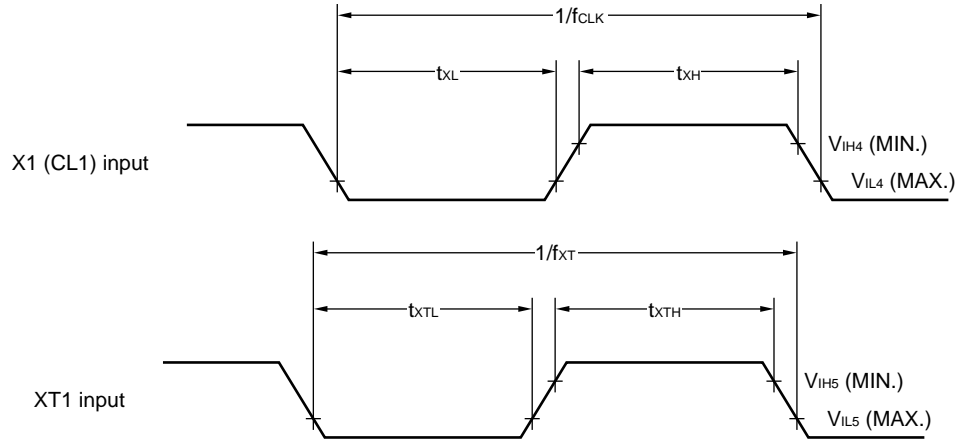
(d) UART mode (SIO20 only) (external clock input)

Parameter	Symbol	Conditions	MIN.	TYP.	MAX.	Unit
ASCK20 cycle time	t _{KCV3}	V _{DD} = 2.7 to 5.5 V	800			ns
			3200			ns
ASCK20 high-/low-level width	t _{KH3} , t _{KL3}	V _{DD} = 2.7 to 5.5 V	400			ns
			1600			ns
Transfer rate		V _{DD} = 2.7 to 5.5 V			39063	bps
					9766	bps
ASCK20 rise/fall time	t _r , t _f				1	μs

AC Timing Test Points (excluding X1 (CL1) and XT1 inputs)

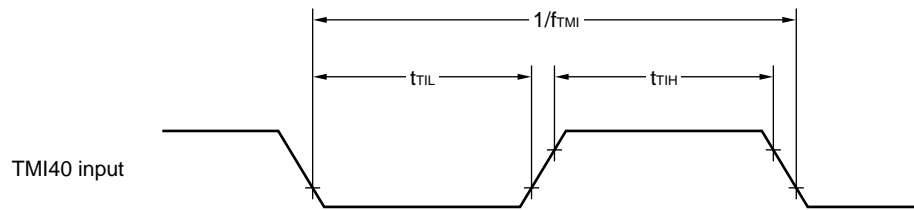


Clock Timing

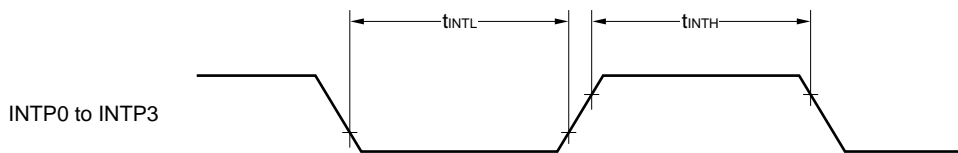


Remark f_{CLK} : f_x or f_{cc}

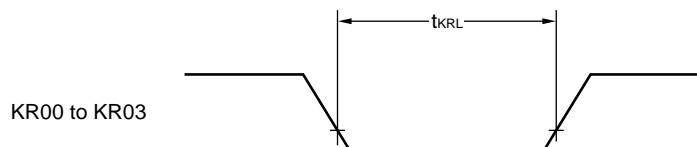
TMI Timing



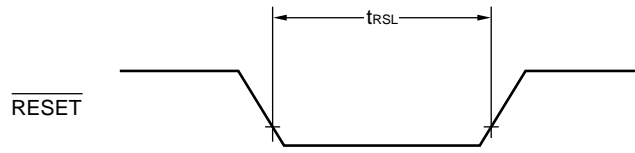
Interrupt Input Timing



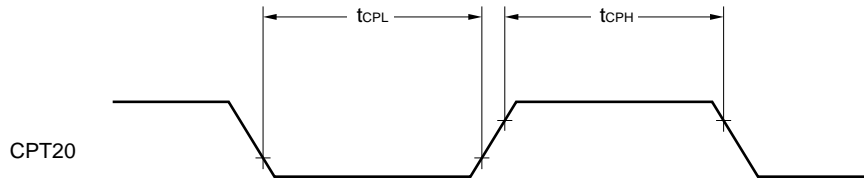
Key Return Input Timing



RESET Input Timing

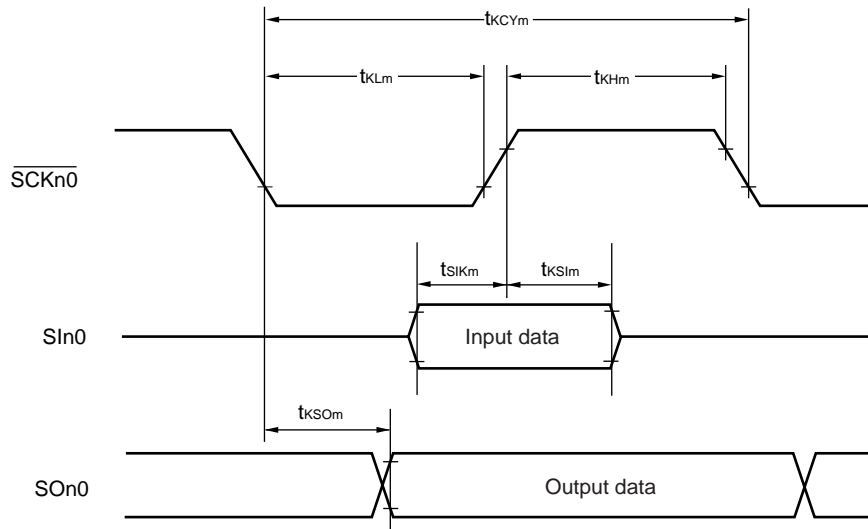


CPT20 Input Timing



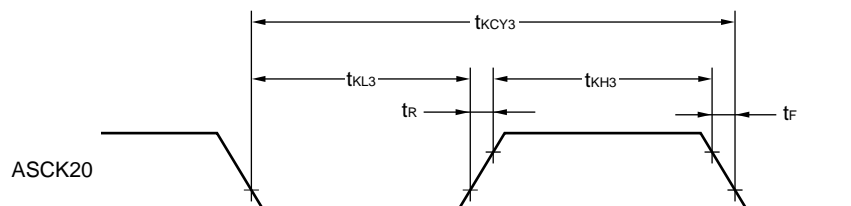
Serial Transfer Timing

3-wire serial I/O mode:



Remark n, m = 1, 2

UART mode (external clock input):



★ LCD Characteristics (T_A = -40 to +85°C, V_{DD} = 1.8 to 5.5 V)

Parameter	Symbol	Conditions	MIN.	TYP.	MAX.	Unit	
LCD output voltage variation range	V _{LCD2}	c1 to c4 = 0.47 μF	GAIN = 1	0.84	1.0	1.165	V
			GAIN = 0	1.26	1.5	1.74	V
Doubler output	V _{LCD1}	c1 to c4 = 0.47 μF	2 V _{LCD2} - 0.1	2.0 V _{LCD2}	2.0 V _{LCD2}	V	
Tripler output	V _{LCD0}	c1 to c4 = 0.47 μF	3 V _{LCD2} - 0.15	3.0 V _{LCD2}	3.0 V _{LCD2}	V	
Voltage boost wait time ^{Note 1}	t _{VAWAIT}	GAIN = 0		0.5		s	
		GAIN = 1	5.0 ≤ V _{DD} ≤ 5.5 V	2.0		s	
			4.5 ≤ V _{DD} < 5.0 V	1.0		s	
			1.8 ≤ V _{DD} < 4.5 V	0.5		s	
LCD output voltage differential ^{Note 2} (common)	V _{ODC}	I _o = ±5 μA	0		±0.2	V	
LCD output voltage differential ^{Note 2} (segment)	V _{ODS}	I _o = ±1 μA	0		±0.2	V	

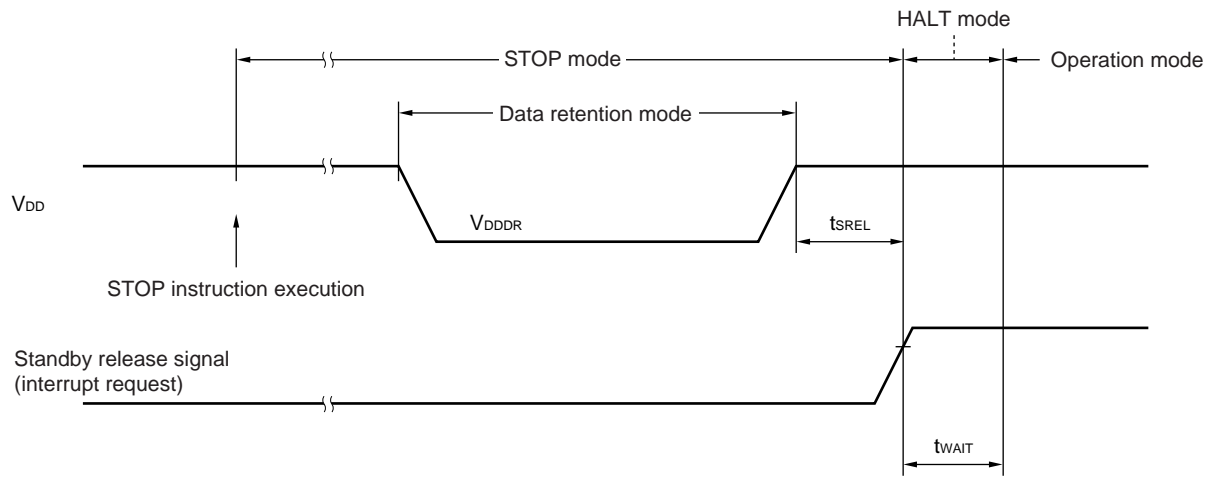
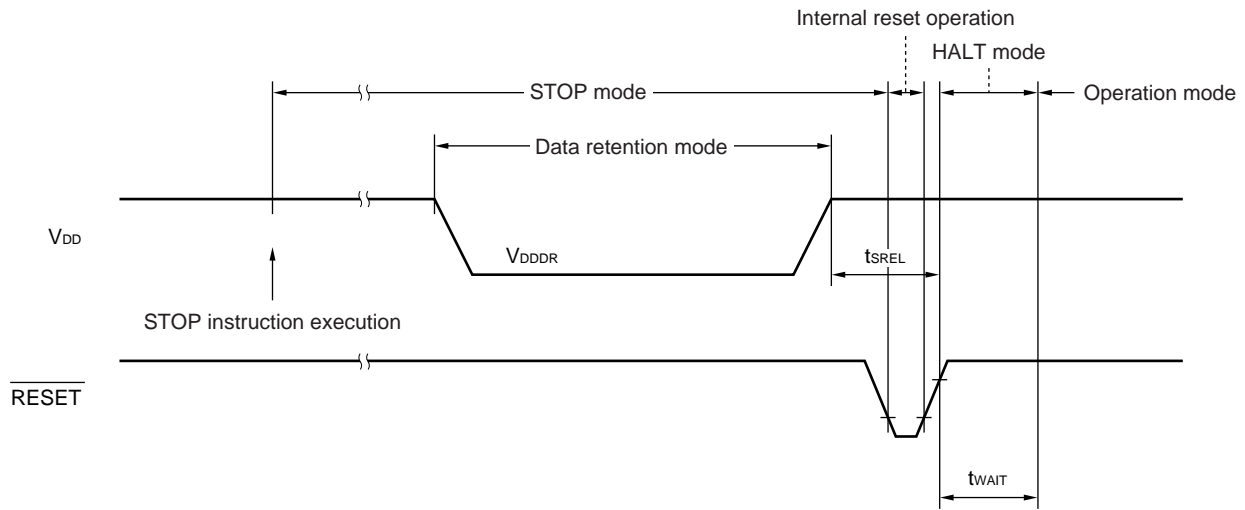
- Notes 1.** This is the wait time from when voltage boost is started (VAON0 = 1) until display is enabled (LCDON0 = 0).
- 2.** The voltage differential is the difference between the segment and common signal output's actual and ideal output voltages.

Remark c1: Capacitor connected between CAPH and CAPL
 c2: Capacitor connected between V_{LC0} and ground
 c3: Capacitor connected between V_{LC1} and ground
 c4: Capacitor connected between V_{LC2} and ground

Data Memory STOP Mode Low Supply Voltage Data Retention Characteristics (T_A = -40 to +85°C)

Parameter	Symbol	Conditions	MIN.	TYP.	MAX.	Unit
Data retention power supply voltage	V _{DDDR}		1.8		5.5	V
Release signal set time	t _{SREL}		0			μs

Data Retention Timing



Oscillation Stabilization Wait Time (T_A = -40 to +85°C, V_{DD} = 1.8 to 5.5 V)

Parameter	Symbol	Conditions	MIN.	TYP.	MAX.	Unit
Oscillation stabilization wait time ^{Note 1} (ceramic/crystal oscillation)	t _{WAIT}	Release by $\overline{\text{RESET}}$		2 ¹⁵ /f _x		s
		Release by interrupt		Note 2		s
Oscillation stabilization wait time (RC oscillation)	t _{WAIT}	Release by $\overline{\text{RESET}}$		2 ⁷ /f _{cc}		s
		Release by interrupt		2 ⁷ /f _{cc}		s

- Notes 1.** Use a resonator whose oscillation stabilizes within the oscillation stabilization wait time.
- 2.** Selection of 2¹²/f_x, 2¹⁵/f_x, or 2¹⁷/f_x is possible with bits 0 to 2 (OSTS0 to OSTS2) of the oscillation stabilization time select register (OSTS).

- Remarks 1.** f_x: Main system clock oscillation frequency (ceramic/crystal oscillation)
- 2.** f_{cc}: Main system clock oscillation frequency (RC oscillation)

★ **Flash Memory Write/Erase Characteristics (T_A = 10 to 40°C, V_{DD} = 1.8 to 5.5 V)**

Parameter	Symbol	Conditions		MIN.	TYP.	MAX.	Unit
Operating frequency	f _x , f _{cc}	V _{DD} = 2.7 to 5.5 V		1.0		5	MHz
				1.0		1.25	MHz
Write current ^{Note 1} (V _{DD} pin)	I _{DDW}	When V _{PP} supply voltage = V _{PP1}	RC oscillation During f _{cc} = 4.0 MHz operation ^{Note 2}			9	mA
			Ceramic oscillation During f _x = 5.0 MHz operation			7	mA
Write current ^{Note 1} (V _{PP} pin)	I _{PPW}	When V _{PP} supply voltage = V _{PP1}				12	mA
Erase current ^{Note 1} (V _{DD} pin)	I _{DDE}	When V _{PP} supply voltage = V _{PP1}	RC oscillation During f _{cc} = 4.0 MHz operation ^{Note 2}			9	mA
			Ceramic oscillation During f _x = 5.0 MHz operation			7	mA
Erase current ^{Note 1} (V _{PP} pin)	I _{PPE}	When V _{PP} supply voltage = V _{PP1}				100	mA
Unit erase time	t _{er}			0.5	1	1	s
Total erase time	t _{era}					20	s
Write count		Erase/write are regarded as 1 cycle				20	Times
V _{PP} supply voltage	V _{PP0}	In normal operation		0		0.2V _{DD}	V
	V _{PP1}	During flash memory programming		9.7	10.0	10.3	V

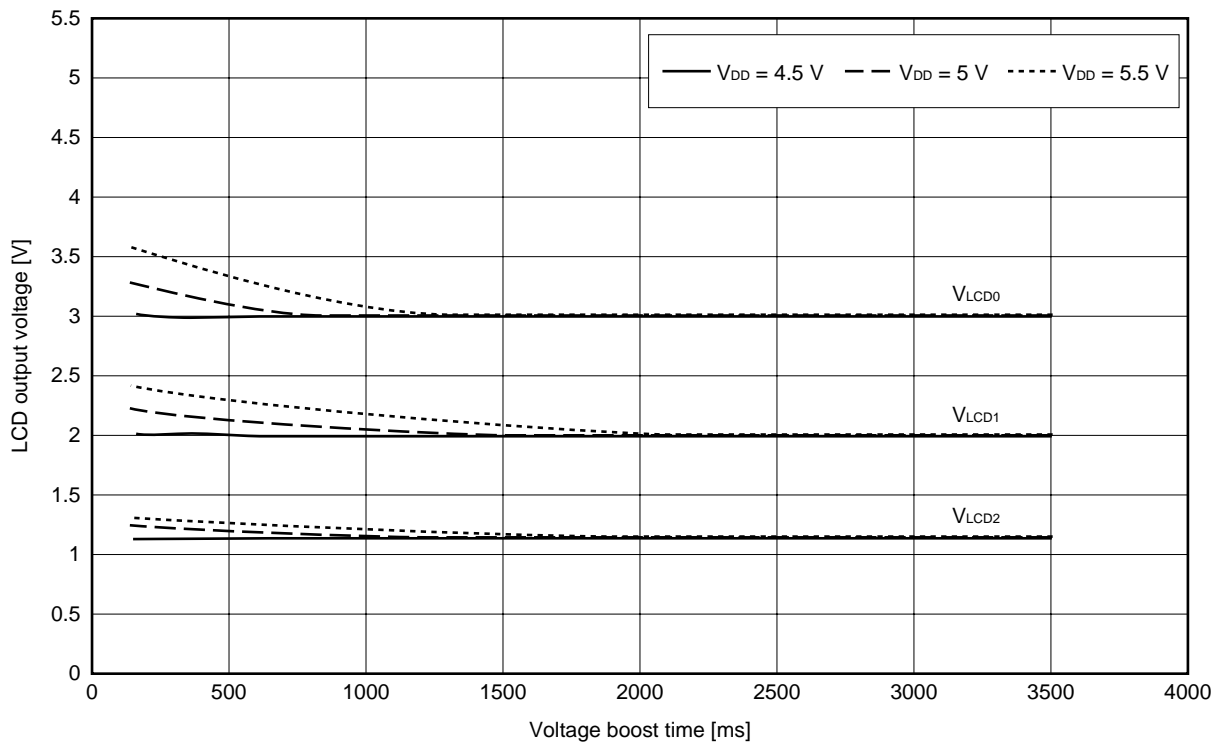
- Notes 1.** The port current (including the current that flows to the on-chip pull-up resistors) is not included.
- 2.** When an external clock is input

★ 8. CHARACTERISTICS CURVES OF LCD CONTROLLER/DRIVER (REFERENCE VALUES)

(1) Characteristics curves of voltage boost stabilization time

The following shows the characteristics curves of the time from the start of voltage boost (VAON0 = 1) and the changes in the LCD output voltage (when GAIN is set as 1 (using the 3 V display panel)).

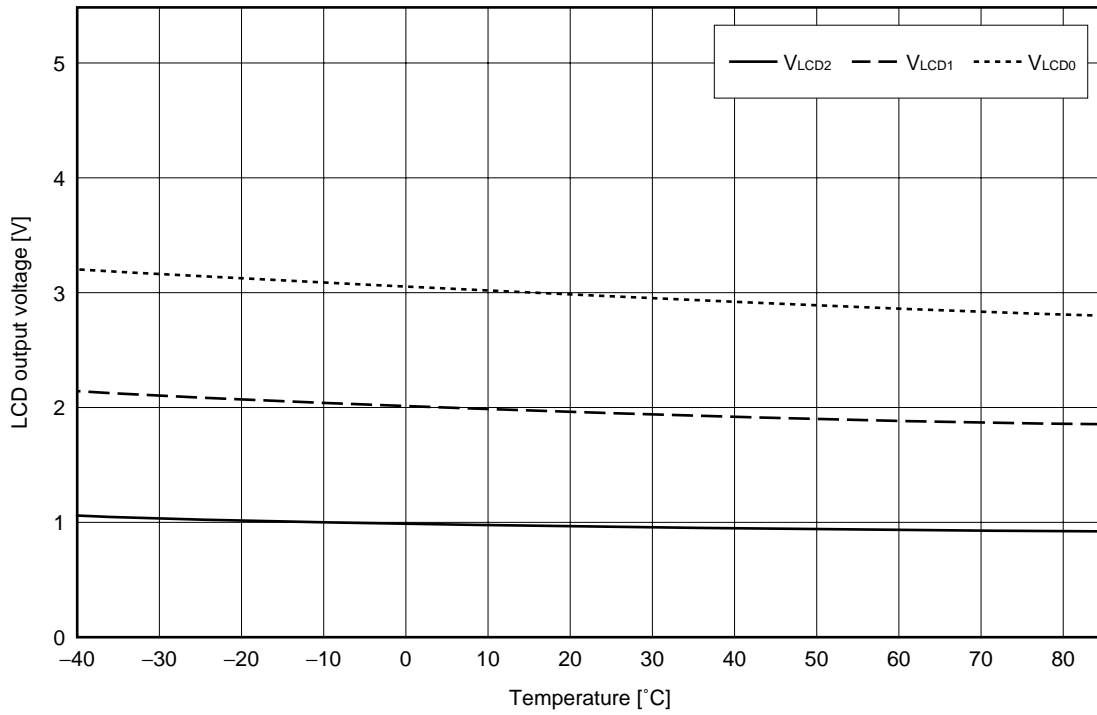
LCD Output Voltage/Voltage Boost Time



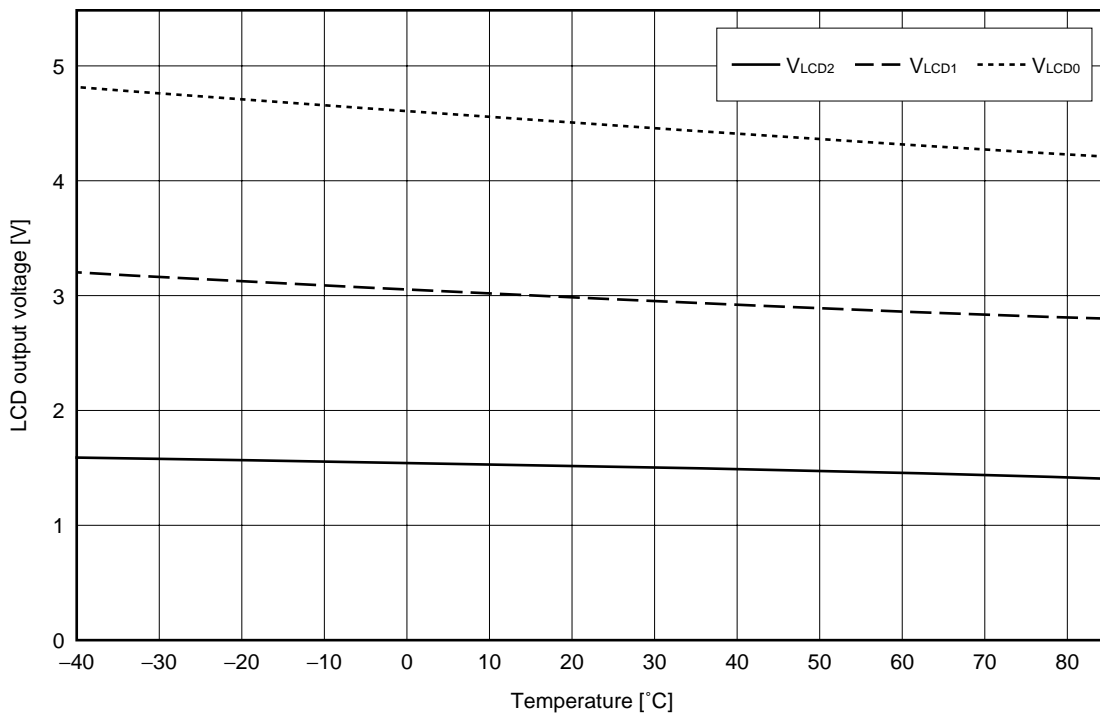
(2) Temperature characteristics of LCD output voltage

The following shows the temperature characteristics curves of LCD output voltage.

LCD Output Voltage/Temperature (When GAIN = 1)

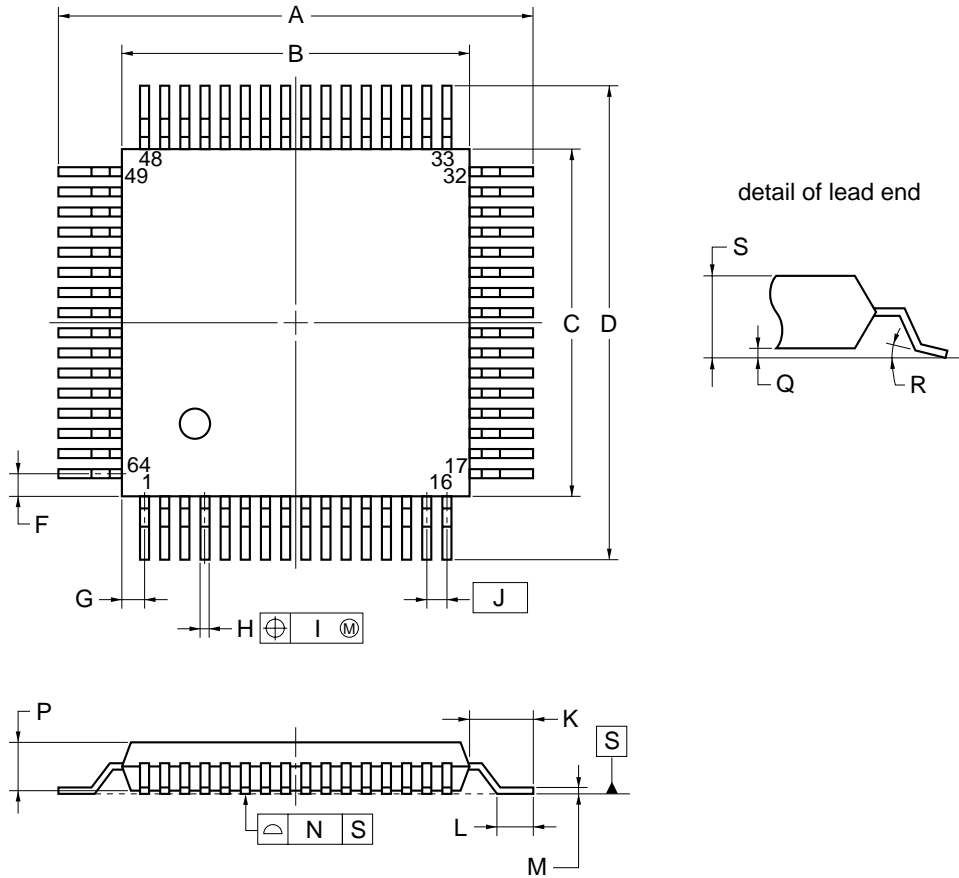


LCD Output Voltage/Temperature (When GAIN = 0)



9. PACKAGE DRAWINGS

64-PIN PLASTIC QFP (14x14)



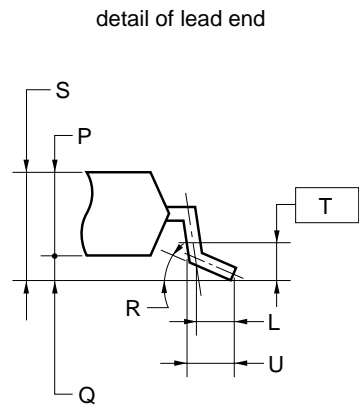
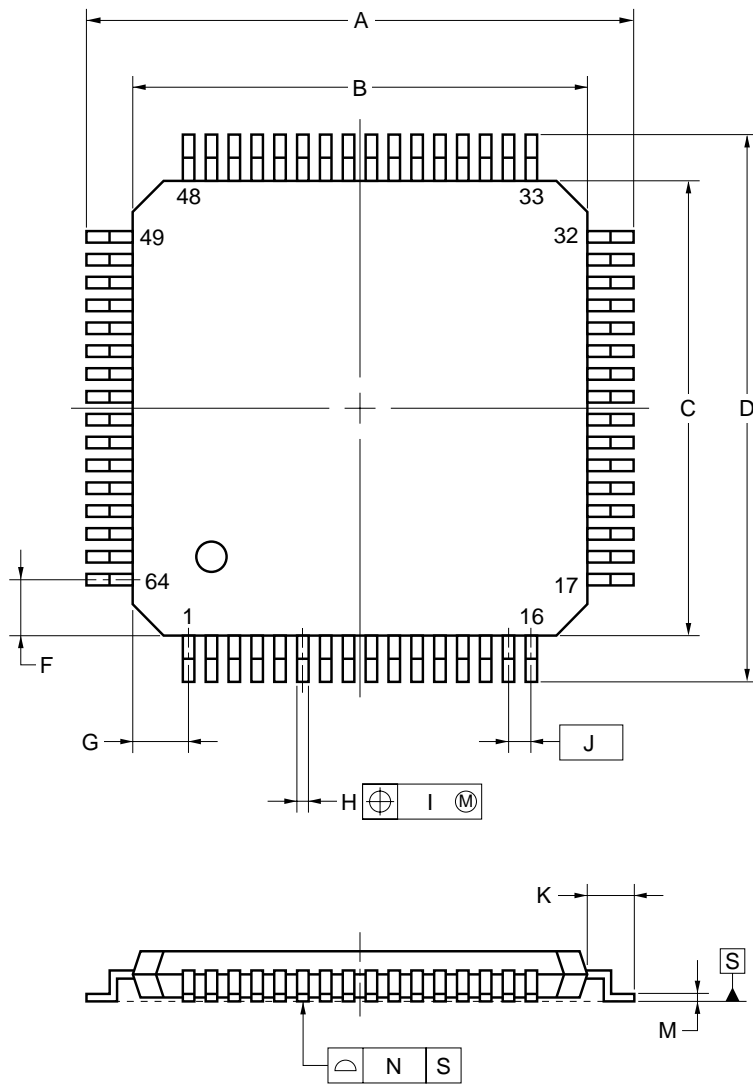
NOTE

Each lead centerline is located within 0.15 mm of its true position (T.P.) at maximum material condition.

ITEM	MILLIMETERS
A	17.6±0.4
B	14.0±0.2
C	14.0±0.2
D	17.6±0.4
F	1.0
G	1.0
H	0.37 ^{+0.08} _{-0.07}
I	0.15
J	0.8 (T.P.)
K	1.8±0.2
L	0.8±0.2
M	0.17 ^{+0.08} _{-0.07}
N	0.10
P	2.55±0.1
Q	0.1±0.1
R	5°±5°
S	2.85 MAX.

P64GC-80-AB8-5

64-PIN PLASTIC TQFP (12x12)



ITEM	MILLIMETERS
A	14.0±0.2
B	12.0±0.2
C	12.0±0.2
D	14.0±0.2
F	1.125
G	1.125
H	0.32 ^{+0.06} _{-0.10}
I	0.13
J	0.65 (T.P.)
K	1.0±0.2
L	0.5
M	0.17 ^{+0.03} _{-0.07}
N	0.10
P	1.0
Q	0.1±0.05
R	3° ^{+4°} _{-3°}
S	1.1±0.1
T	0.25
U	0.6±0.15

P64GK-65-9ET-3

NOTE

Each lead centerline is located within 0.13 mm of its true position (T.P.) at maximum material condition.

★ 10. RECOMMENDED SOLDERING CONDITIONS

The μPD78F9306 and 78F9316 should be soldered and mounted under the following recommended conditions.

For details of the recommended soldering conditions, refer to the document **Semiconductor Device Mounting Technology Manual (C10535E)**.

For soldering methods and conditions other than those recommended below, contact your NEC sales representative.

Table 10-1. Surface Mounting Type Soldering Conditions

μPD78F9306GC-AB8: 64-pin plastic QFP (14 × 14)

μPD78F9316GC-AB8: 64-pin plastic QFP (14 × 14)

Soldering Method	Soldering Conditions	Recommended Condition Symbol
Infrared reflow	Package peak temperature: 235°C, Time: 30 seconds max. (at 210°C or higher), Count: Three times or less	IR35-00-3
VPS	Package peak temperature: 215°C, Time: 40 seconds max. (at 200°C or higher), Count: Three times or less	VP15-00-3
Wave soldering	Solder bath temperature: 260°C max., Time: 10 seconds max., Count: Once, Preheating temperature: 120°C max. (package surface temperature)	WS60-00-1
Partial heating	Pin temperature: 300°C max. Time: 3 seconds max. (per pin row)	—

Caution Do not use different soldering methods together (except for partial heating).

μPD78F9306GK-9ET: 64-pin plastic TQFP (12 × 12)

μPD78F9316GK-9ET: 64-pin plastic TQFP (12 × 12)

Soldering Method	Soldering Conditions	Recommended Condition Symbol
Infrared reflow	Package peak temperature: 235°C, Time: 30 seconds max. (at 210°C or higher), Count: Two times or less, Exposure limit: 7 days ^{Note} (after that, prebake at 125°C for 10 hours)	IR35-107-2
VPS	Package peak temperature: 215°C, Time: 40 seconds max. (at 200°C or higher), Count: Two times or less, Exposure limit: 7 days ^{Note} (after that, prebake at 125°C for 10 hours)	VP15-107-2
Partial heating	Pin temperature: 300°C max. Time: 3 seconds max. (per pin row)	—

Note After opening the dry pack, store it at 25°C or less and 65% RH or less for the allowable storage period.

Caution Do not use different soldering methods together (except for partial heating).

APPENDIX A. DIFFERENCES BETWEEN μPD78F9306, 78F9316 AND MASK ROM VERSIONS

The μPD78F9306 and 78F9316 have flash memory in place of the internal ROM of the mask ROM versions. Differences between the μPD78F9306 and 78F9316 and the mask ROM versions are shown in Table A-1.

Table A-1. Differences Between μPD78F9306, 78F9316 and Mask ROM Versions

Item		Flash Memory Versions		Mask ROM Versions			
		μPD78F9306	μPD78F9316	μPD789304	μPD789306	μPD789314	μPD789316
Internal memory	ROM	16 KB		8 KB	16 KB	8 KB	16 KB
	High-speed RAM	512 bytes					
	LCD display RAM	24 bytes					
Main system clock		Ceramic/crystal oscillation	RC oscillation	Ceramic/crystal oscillation		RC oscillation	
IC pin		Not available		Available			
V _{PP} pin		Available		Not available			
Pull-up resistors		19 (software control: 19)		23 (software control: 19, mask option control: 4)			
Electrical specifications		Refer to the relevant data sheet.					

Caution There are differences in noise immunity and noise radiation between the flash memory and mask ROM versions. When pre-producing an application set with the flash memory version and then mass-producing it with the mask ROM version, be sure to conduct sufficient evaluations for the commercial samples (not engineering samples) of the mask ROM version.

APPENDIX B. DEVELOPMENT TOOLS

The following development tools are available for system development using the μPD78F9306 and 78F9316.

Language Processing Software

RA78K0S ^{Notes 1, 2, 3}	Assembler package common to 78K/0S Series
CC78K0S ^{Notes 1, 2, 3}	C compiler package common to 78K/0S Series
★ DF789306 ^{Notes 1, 2, 3}	Device file for μPD789306, 789316 Subseries
CC78K0S-L ^{Notes 1, 2, 3}	C compiler library source file common to 78K/0S Series

Flash Memory Writing Tools

Flashpro III (Part No. FL-PR3 ^{Note 4} , PG-FP3)	Flash programmer dedicated to on-chip flash memory microcontroller
FA-64GC ^{Note 4}	Flash memory writing adapter for 64-pin plastic QFP (GC-AB8 type)
FA-64GK ^{Note 4}	Flash memory writing adapter for 64-pin plastic TQFP (GK-9ET type)

Debugging Tools

IE-78K0S-NS In-circuit emulator	This is an in-circuit emulator for debugging hardware and software of application system using the 78K/0S Series. It supports the integrated debugger (ID78K0S-NS) and is used with an AC adapter, emulation probe, and interface adapter for connecting the host machine.
IE-70000-MC-PS-B AC adapter	This is the adapter for supplying power from an AC-100 to 240 V outlet.
IE-70000-98-IF-C Interface adapter	This adapter is needed when a PC-9800 series PC (except notebook type) is used as the host machine for the IE-78K0S-NS (supports C bus).
IE-70000-CD-IF-A PC card interface	This PC card and interface cable are needed when a PC-9800 series notebook-type PC is used as the host machine for the IE-78K0S-NS (supports PCMCIA socket).
IE-70000-PC-IF-C Interface adapter	This adapter is needed when an IBM PC/AT™ or compatible PC is used as the host machine for the IE-78K0S-NS (supports ISA bus).
IE-70000-PCI-IF Interface adapter	This adapter is needed when a PC that includes a PCI bus is used as the host machine for the IE-78K0S-NS.
★ IE-789306-NS-EM1 Emulation board	This is an emulation board for emulating the peripheral hardware inherent to the device. It is used with an in-circuit emulator.
NP-64GC ^{Note 4}	This is a board that is used to connect an in-circuit emulator to the target system. It is for a 64-pin plastic QFP (GC-AB8 type).
NP-64GK ^{Note 4}	This is a board that is used to connect an in-circuit emulator to the target system. It is for a 64-pin plastic TQFP (GK-9ET type).
SM78K0S ^{Notes 1, 2}	System simulator common to 78K/0S Series
ID78K0S-NS ^{Notes 1, 2}	Integrated debugger common to 78K/0S Series
★ DF789306 ^{Notes 1, 2}	Device file for μPD789306, 789316 Subseries

Real-Time OS

MX78K0S ^{Notes 1, 2}	OS for 78K/0S Series
-------------------------------	----------------------

- Notes**
1. Based on PC-9800 Series (Japanese Windows)
 2. Based on IBM PC/AT compatibles (Japanese/English Windows)
 3. Based on HP9000 Series 700™ (HP-UX™), SPARCstation™ (SunOS™, Solaris™), or NEWS™ (NEWS-OS™)
 4. This product is manufactured by Naito Densetsu Machida Mfg. Co., Ltd. (TEL +81-44-822-3813).

Remark The RA78K0S, CC78K0S, and SM78K0S are used in combination with the DF789306.

APPENDIX C. RELATED DOCUMENTS

Documents Related to Devices

Document Name	Document No.
μPD789304, 789306, 789314, 789316 Data Sheet	To be prepared
μPD78F9306, 78F9316 Data Sheet	This document
μPD789306, 789316 Subseries User's Manual	U14800E
78K/0S Series User's Manual Instructions	U11047E
78K/0, 78K/0S Series Application Note Flash Memory Write	U14458E

Documents Related to Development Tools (User's Manuals)

Document Name	Document No.	
RA78K0S Assembler Package	Operation	U11622E
	Language	U11599E
	Structured Assembly Language	U11623E
CC78K0S C Compiler	Operation	U11816E
	Language	U11817E
SM78K0S, SM78K0 System Simulator Ver.2.10 or Later Windows Based	Operation	U14611E
SM78K Series System Simulator Ver.2.10 or Later	External Part User Open Interface Specifications	U15006E
ID-78K0-NS, ID78K0S-NS Integrated Debugger Ver.2.20 or Later Windows Based	Operation	U14910E
IE-78K0S-NS In-circuit Emulator		U13549E
IE-789306-NS-EM1 Emulation Board		To be prepared

Documents Related to Embedded Software (User's Manuals)

Document Name	Document No.	
78K/0S Series OS MX78K0S	Fundamental	U12938E

Other Related Documents

Document Name	Document No.
SEMICONDUCTOR SELECTION GUIDE Products & Packages (CD-ROM)	X13769X
Semiconductor Device Mounting Technology Manual	C10535E
Quality Grades on NEC Semiconductor Devices	C11531E
NEC Semiconductor Device Reliability/Quality Control System	C10983E
Guide to Prevent Damage for Semiconductor Devices by Electrostatic Discharge (ESD)	C11892E

Caution The related documents listed above are subject to change without notice. Be sure to use the latest version of each document for designing.

[MEMO]

[MEMO]

[MEMO]

NOTES FOR CMOS DEVICES

① PRECAUTION AGAINST ESD FOR SEMICONDUCTORS

Note:

Strong electric field, when exposed to a MOS device, can cause destruction of the gate oxide and ultimately degrade the device operation. Steps must be taken to stop generation of static electricity as much as possible, and quickly dissipate it once, when it has occurred. Environmental control must be adequate. When it is dry, humidifier should be used. It is recommended to avoid using insulators that easily build static electricity. Semiconductor devices must be stored and transported in an anti-static container, static shielding bag or conductive material. All test and measurement tools including work bench and floor should be grounded. The operator should be grounded using wrist strap. Semiconductor devices must not be touched with bare hands. Similar precautions need to be taken for PW boards with semiconductor devices on it.

② HANDLING OF UNUSED INPUT PINS FOR CMOS

Note:

No connection for CMOS device inputs can be cause of malfunction. If no connection is provided to the input pins, it is possible that an internal input level may be generated due to noise, etc., hence causing malfunction. CMOS devices behave differently than Bipolar or NMOS devices. Input levels of CMOS devices must be fixed high or low by using a pull-up or pull-down circuitry. Each unused pin should be connected to V_{DD} or GND with a resistor, if it is considered to have a possibility of being an output pin. All handling related to the unused pins must be judged device by device and related specifications governing the devices.

③ STATUS BEFORE INITIALIZATION OF MOS DEVICES

Note:

Power-on does not necessarily define initial status of MOS device. Production process of MOS does not define the initial operation status of the device. Immediately after the power source is turned ON, the devices with reset function have not yet been initialized. Hence, power-on does not guarantee out-pin levels, I/O settings or contents of registers. Device is not initialized until the reset signal is received. Reset operation must be executed immediately after power-on for devices having reset function.

EEPROM is a trademark of NEC Corporation.

Windows is either a registered trademark or a trademark of Microsoft Corporation in the United States and/or other countries.

PC/AT is a trademark of International Business Machines Corporation.

HP9000 series 700 and HP-UX are trademarks of Hewlett-Packard Company.

SPARCstation is a trademark of SPARC International, Inc.

Solaris and SunOS are trademarks of Sun Microsystems, Inc.

NEWS and NEWS-OS are trademarks of Sony Corporation.

Regional Information

Some information contained in this document may vary from country to country. Before using any NEC product in your application, please contact the NEC office in your country to obtain a list of authorized representatives and distributors. They will verify:

- Device availability
- Ordering information
- Product release schedule
- Availability of related technical literature
- Development environment specifications (for example, specifications for third-party tools and components, host computers, power plugs, AC supply voltages, and so forth)
- Network requirements

In addition, trademarks, registered trademarks, export restrictions, and other legal issues may also vary from country to country.

NEC Electronics Inc. (U.S.)

Santa Clara, California
 Tel: 408-588-6000
 800-366-9782
 Fax: 408-588-6130
 800-729-9288

NEC Electronics (Germany) GmbH

Duesseldorf, Germany
 Tel: 0211-65 03 02
 Fax: 0211-65 03 490

NEC Electronics (UK) Ltd.

Milton Keynes, UK
 Tel: 01908-691-133
 Fax: 01908-670-290

NEC Electronics Italiana s.r.l.

Milano, Italy
 Tel: 02-66 75 41
 Fax: 02-66 75 42 99

NEC Electronics (Germany) GmbH

Benelux Office
 Eindhoven, The Netherlands
 Tel: 040-2445845
 Fax: 040-2444580

NEC Electronics (France) S.A.

Velizy-Villacoublay, France
 Tel: 01-3067-5800
 Fax: 01-3067-5899

NEC Electronics (France) S.A.

Madrid Office
 Madrid, Spain
 Tel: 091-504-2787
 Fax: 091-504-2860

NEC Electronics (Germany) GmbH

Scandinavia Office
 Taebly, Sweden
 Tel: 08-63 80 820
 Fax: 08-63 80 388

NEC Electronics Hong Kong Ltd.

Hong Kong
 Tel: 2886-9318
 Fax: 2886-9022/9044

NEC Electronics Hong Kong Ltd.

Seoul Branch
 Seoul, Korea
 Tel: 02-528-0303
 Fax: 02-528-4411

NEC Electronics Singapore Pte. Ltd.

Novena Square, Singapore
 Tel: 253-8311
 Fax: 250-3583

NEC Electronics Taiwan Ltd.

Taipei, Taiwan
 Tel: 02-2719-2377
 Fax: 02-2719-5951

NEC do Brasil S.A.

Electron Devices Division
 Guarulhos-SP, Brasil
 Tel: 11-6462-6810
 Fax: 11-6462-6829

- **The information in this document is current as of December, 2000. The information is subject to change without notice. For actual design-in, refer to the latest publications of NEC's data sheets or data books, etc., for the most up-to-date specifications of NEC semiconductor products. Not all products and/or types are available in every country. Please check with an NEC sales representative for availability and additional information.**
 - No part of this document may be copied or reproduced in any form or by any means without prior written consent of NEC. NEC assumes no responsibility for any errors that may appear in this document.
 - NEC does not assume any liability for infringement of patents, copyrights or other intellectual property rights of third parties by or arising from the use of NEC semiconductor products listed in this document or any other liability arising from the use of such products. No license, express, implied or otherwise, is granted under any patents, copyrights or other intellectual property rights of NEC or others.
 - Descriptions of circuits, software and other related information in this document are provided for illustrative purposes in semiconductor product operation and application examples. The incorporation of these circuits, software and information in the design of customer's equipment shall be done under the full responsibility of customer. NEC assumes no responsibility for any losses incurred by customers or third parties arising from the use of these circuits, software and information.
 - While NEC endeavours to enhance the quality, reliability and safety of NEC semiconductor products, customers agree and acknowledge that the possibility of defects thereof cannot be eliminated entirely. To minimize risks of damage to property or injury (including death) to persons arising from defects in NEC semiconductor products, customers must incorporate sufficient safety measures in their design, such as redundancy, fire-containment, and anti-failure features.
 - NEC semiconductor products are classified into the following three quality grades:
 "Standard", "Special" and "Specific". The "Specific" quality grade applies only to semiconductor products developed based on a customer-designated "quality assurance program" for a specific application. The recommended applications of a semiconductor product depend on its quality grade, as indicated below. Customers must check the quality grade of each semiconductor product before using it in a particular application.
 - "Standard": Computers, office equipment, communications equipment, test and measurement equipment, audio and visual equipment, home electronic appliances, machine tools, personal electronic equipment and industrial robots
 - "Special": Transportation equipment (automobiles, trains, ships, etc.), traffic control systems, anti-disaster systems, anti-crime systems, safety equipment and medical equipment (not specifically designed for life support)
 - "Specific": Aircraft, aerospace equipment, submersible repeaters, nuclear reactor control systems, life support systems and medical equipment for life support, etc.
- The quality grade of NEC semiconductor products is "Standard" unless otherwise expressly specified in NEC's data sheets or data books, etc. If customers wish to use NEC semiconductor products in applications not intended by NEC, they must contact an NEC sales representative in advance to determine NEC's willingness to support a given application.
- (Note)
- (1) "NEC" as used in this statement means NEC Corporation and also includes its majority-owned subsidiaries.
 - (2) "NEC semiconductor products" means any semiconductor product developed or manufactured by or for NEC (as defined above).