

8-BIT SINGLE-CHIP MICROCONTROLLERS

The μ PD78F9136A is a μ PD789134A Subseries product of the 78K/0S Series.

The μ PD78F9136A replaces the internal masked ROM of the μ PD789131A, 789132A and 789134A with flash memory, which enables the writing/erasing of a program while the device is mounted on the board.

Because the device can be programmed by the user, it is ideally suited to the evaluation stages of system development, the manufacture of small batches of multiple products, and the rapid development of new products.

Detailed function descriptions are provided in the following user's manuals. Be sure to read them before designing.

μ PD789104A, 789114A, 789124A, 789134A Subseries User's Manual: To be prepared
78K/0S Series User's Manual Instruction: U11047E

FEATURES

- Pin-compatible with masked ROM version (excluding V_{PP} pin)
- Flash memory: 16K bytes
- Internal High-Speed RAM: 256 bytes
- Built-in RC oscillator
- On-chip multiplier: 8 bits \times 8 bits = 16 bits
- Minimum instruction execution time can be changed from high-speed (0.5 μ s) to low-speed (2.0 μ s) (@ 4.0-MHz operation with system clock)
- I/O ports: 20
- Serial interface: 1 channel: Switchable between 3-wire serial I/O and UART modes
- 10-bit resolution A/D converter: 4 channels
- Timers: 3 channels
 - 16-bit timer: 1 channel
 - 8-bit timer/event counter: 1 channel
 - Watchdog timer: 1 channel
- Power supply voltage: $V_{DD} = 1.8$ to 5.5 V

APPLICATIONS

Cleaners, washing machines, refrigerators and battery-charger

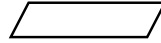
ORDERING INFORMATION

Part number	Package
μ PD78F9136AMC-5A4	30-pin plastic SSOP (7.62mm (300))

The information in this document is subject to change without notice. Before using this document, please confirm that this is the latest version.
 Not all devices/types available in every country. Please check with local NEC representative for availability and additional information.

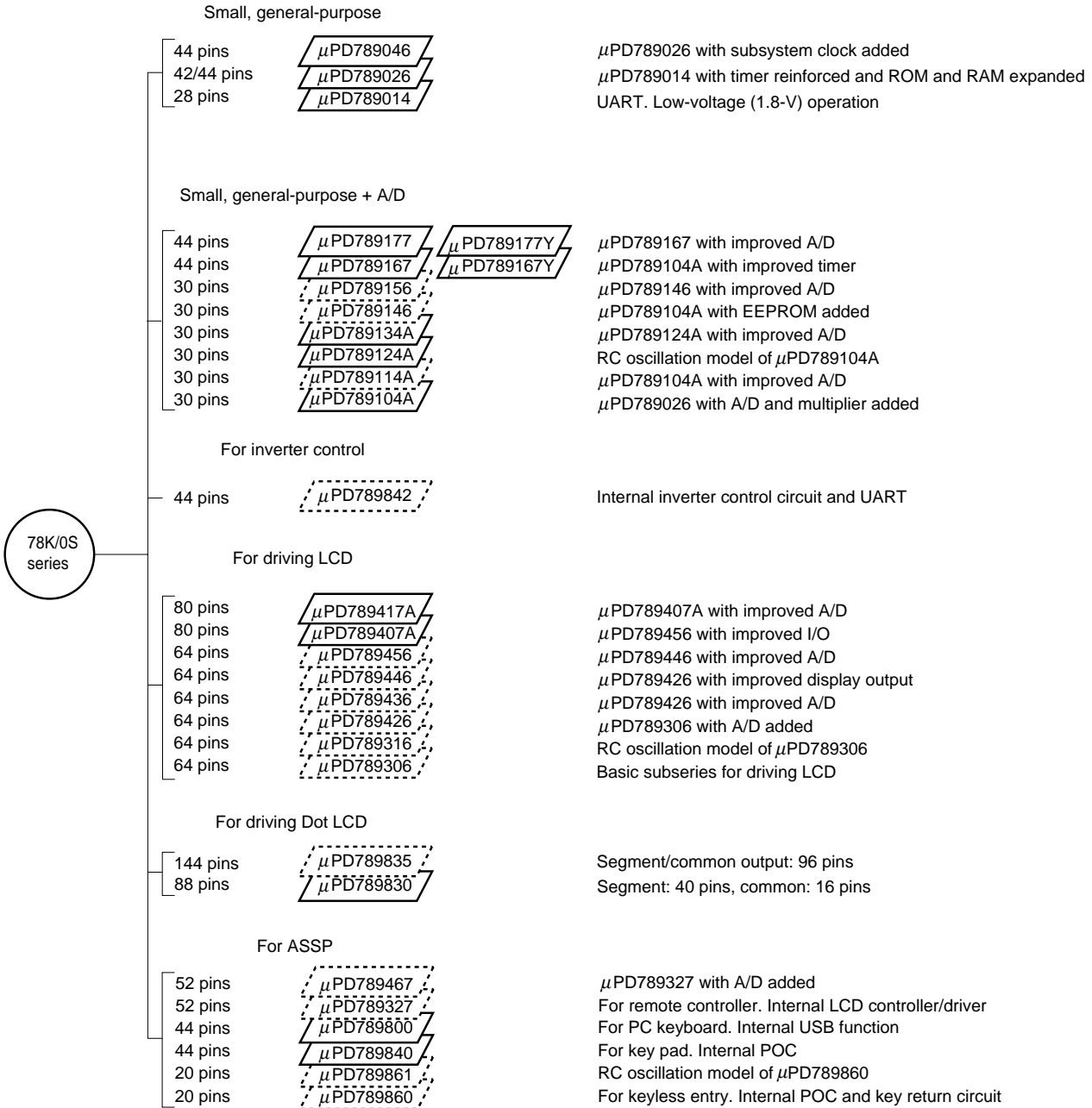
78K/0S SERIES LINEUP

The products in the 78K/0S Series are listed below. The names enclosed in boxes are subseries names.

 Products under mass production

 Products under development

Y subseries supports SMB.



The major differences between subseries are shown below.

Function Subseries Name		ROM Capacity	Timer				8-bit A/D	10-bit A/D	Serial Interface	I/O	V _{DD} MIN Value	Remark
			8-bit	16-bit	Watch	WDT						
Small, general- purpose	μPD789046	16 K	1 ch	1 ch	1 ch	1 ch	–	–	1 ch (UART:1 ch)	34 pins	1.8 V	–
	μPD789026	4 K-16 K			–							
	μPD789014	2 K-4 K	2 ch	–						22 pins		
Small, general- purpose + A/D	μPD789177	16 K-24 K	3 ch	1 ch	1 ch	1 ch	–	8 ch	1 ch (UART: 1 ch)	31 pins	1.8 V	–
	μPD789167						8 ch	–				
	μPD789156	8 K-16 K	1 ch	–	–	–	–	4 ch	20 pins	Internal EEPROM	–	
	μPD789146						4 ch	–				
	μPD789134A	2 K-8 K					–	4 ch	RC oscillation version	–		
	μPD789124A						4 ch	–				
	μPD789114A						–	4 ch				
	μPD789104A						4 ch	–				
For inverter control	μPD789842	8 K-16 K	3 ch	Note	1 ch	1 ch	8 ch	–	1 ch (UART: 1 ch)	30 pins	4.0 V	–
For LCD driving	μPD789417A	12 K-24 K	3 ch	1 ch	1 ch	1 ch	–	7 ch	1 ch (UART: 1 ch)	43 pins	1.8 V	–
	μPD789407A						7 ch	–				
	μPD789456	12 K-16 K	2 ch				–	6 ch	30 pins	–		
	μPD789446						6 ch	–				
	μPD789436						–	6 ch				
	μPD789426						6 ch	–				
	μPD789316	8 K to 16K					–	–	2 ch (UART: 1 ch)	23 pins	RC oscillation version	
	μPD789306						–	–	–			
For Dot LCD driving	μPD789835	24 K-60 K	6 ch	–	1 ch	1 ch	2 ch	–	1 ch	27 pins	1.8 V	–
	μPD789830	24 K	1 ch	1 ch			–		1 ch (UART: 1 ch)	30 pins	2.7 V	
ASSP	μPD789467	4 K-24 K	2 ch	–	1 ch	1 ch	1 ch	–	–	18 pins	1.8 V	Internal LCD
	μPD789327						–		1 ch	21 pins		
	μPD789800	8 K	2 ch	1 ch	–	1 ch	–	–	2 ch (USB: 1 ch)	31 pins	4.0 V	–
	μPD789840						4 ch		1 ch	29 pins	2.8 V	
	μPD789861	4 K		–			–	–	–	14 pins	1.8 V	RC oscillation version, Internal EEPROM
	μPD789860								–	–		

Note 10-bit timer: 1 channel

OVERVIEW OF FUNCTIONS

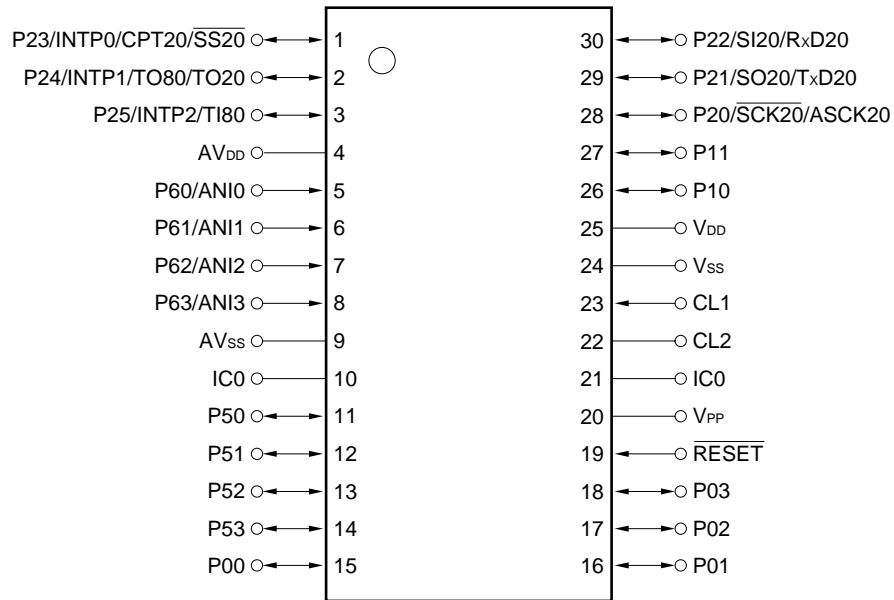
Item		function
Internal memory	Flash memory	16 Kbytes
	High-speed RAM	256 bytes
Oscillator		RC Oscillator
Minimum instruction execution time		0.5/2.0 μs (@ 4.0-MHz operation with system clock)
General-purpose registers		8 bits × 8 registers
Instruction set		<ul style="list-style-type: none"> • 16-bit operations • Bit manipulations (set, reset, and test)
Multiplier		8 bits × 8 bits = 16 bits
I/O ports		<p>Total: <u>20</u></p> <ul style="list-style-type: none"> • CMOS input: 4 • CMOS I/O: 12 • N-ch open-drain (12-V withstand voltage): 4
A/D converters		10-bit resolution × 4 channels
Serial interface		Switchable between 3-wire serial I/O and UART modes
Timer		<ul style="list-style-type: none"> • 16-bit timer: 1 channel • 8-bit timer/event counter: 1 channel • Watchdog timer: 1 channel
Timer output		1 output (16-bit/8-bit timer alternate function)
Vectored interrupt sources	Maskable	Internal: 6, External: 3
	Non-maskable	Internal: 1
Power supply voltage		V _{DD} = 1.8 to 5.5 V
Operating ambient temperature		T _A = -40 to +85°C
Package		30-pin plastic SSOP (7.62 mm (300))

CONTENTS

1. PIN CONFIGURATION (TOP VIEW).....	6
2. BLOCK DIAGRAM	7
3. DIFFERENCES BETWEEN μ PD78F9136A AND MASKED ROM VERSION	8
4. PIN FUNCTIONS	9
4.1 Port Pins.....	9
4.2 Non-Port Pins.....	10
4.3 Pin I/O Circuits and Recommended Connection of Unused Pins.....	11
5. MEMORY SPACE.....	13
6. FLASH MEMORY PROGRAMMING	14
6.1 Selecting Communication Mode	14
6.2 Function of Flash Memory Programming	15
6.3 Flashpro III Connection.....	15
6.4 Example of Settings for Flashpro III (PG-FP3).....	17
7. INSTRUCTION SET OVERVIEW	18
7.1 Conventions.....	18
7.2 Operations	20
8. ELECTRICAL SPECIFICATIONS	25
9. EXAMPLE OF RC OSCILLATOR FREQUENCY CHARACTERISTICS (REFERENCE VALUES).....	37
10. PACKAGE DRAWING.....	39
11. RECOMMENDED SOLDERING CONDITIONS	40
APPENDIX A DEVELOPMENT TOOLS	41
APPENDIX B RELATED DOCUMENTS.....	43

1. PIN CONFIGURATION (TOP VIEW)

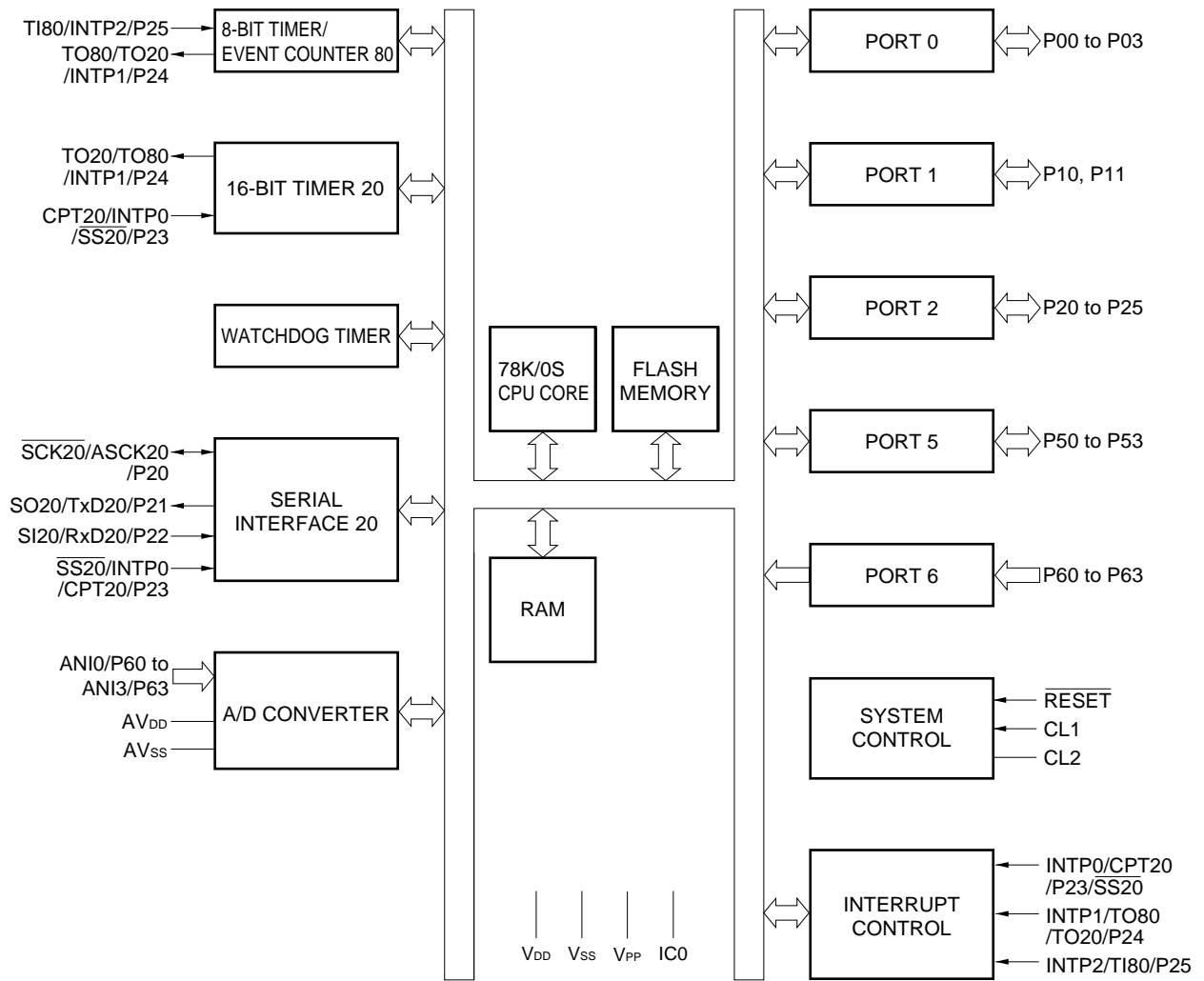
- 30-pin plastic SSOP (7.62 mm (300))
μPD78F9136AMC-5A4



- Cautions**
1. Connect the IC0 (Internally Connected) pin directly to V_{SS}.
 2. Connect the V_{PP} pin directly to V_{SS} in normal operation mode.
 3. Connect the AV_{DD} pin to V_{DD}.
 4. Connect the AV_{SS} pin to V_{SS}.

ANI0 to ANI3:	Analog Input	\overline{RESET} :	Reset
ASCK20:	Asynchronous Serial Input	RxD20:	Receive Data
AV _{DD} :	Analog Power Supply	$\overline{SCK20}$:	Serial Clock Input/Output
AV _{SS} :	Analog Ground	SI20:	Serial Data Input
CL1,CL2:	RC oscillator	SO20:	Serial Data Output
CPT20:	Capture Trigger Input	$\overline{SS20}$:	Chip Select Input
IC0:	Internally Connected	TI80:	Timer Input
INTP0 to INTP2:	Interrupt from Peripherals	TO20, TO80:	Timer Output
P00 to P03:	Port0	TxD20:	Transmit Data
P10, P11:	Port1	V _{DD} :	Power Supply
P20 to P25:	Port2	V _{PP} :	Programing Power Supply
P50 to P53:	Port5	V _{SS} :	Ground
P60 to P63:	Port6		

2. BLOCK DIAGRAM



3. DIFFERENCES BETWEEN μPD78F9136A AND MASKED ROM VERSION

The μPD78F9136A is a product that substitutes flash memory for the internal ROM of the masked ROM version. The differences between the μPD78F9136A and the masked ROM versions are shown in Table 3-1.

Table 3-1. Types of Pin Input/Output Circuits

Item		Flash memory version	Masked ROM version		
		μ PD78F9136A	μ PD789131A	μ PD789132A	μ PD789134A
Internal memory	ROM	16Kbytes (Flash memory)	2 Kbytes	4 Kbytes	8 Kbytes
	High-speed RAM	256 bytes			
Pull-up resistor		12 (software control only)	16 (software control : 12, mask option specification : 4)		
VPP pin		Provided	Not provided		
Electric characteristics		See the relevant data sheet			

Caution There are differences in the amount of noise tolerance and noise radiation between flash memory versions and masked ROM versions. When considering changing from a flash memory version to a masked ROM version during process from experimental manufacturing to mass production, make sure to sufficiently evaluate the masked ROM versions using commercial samples (CS) (not engineering samples (ES)).

4. PIN FUNCTIONS

4.1 Port Pins

Pin Name	I/O	Function	After Reset	Alternate Function
P00 to P03	I/O	Port 0 4-bit input/output port Input/output can be specified in 1-bit units When used as an input port, an on-chip pull-up resistor can be specified by means of software.	Input	–
P10, P11	I/O	Port 1 2-bit input/output port Input/output can be specified in 1-bit units When used as an input port, an on-chip pull-up resistor can be specified by means of software.	Input	–
P20	I/O	Port 2 6-bit input/output port Input/output can be specified in 1-bit units When used as an input port, an on-chip pull-up resistor can be specified by means of software.	Input	SCK20/ASCK20
P21				SO20/TxD20
P22				SI20/RxD20
P23				INTP0/CPT20 /SS20
P24				INTP1/TO80/TO20
P25				INTP2/TI80
P50 to P53	I/O	Port 5 4-bit N-ch open-drain input/output port Input/output can be specified in 1-bit units An on-chip pull-up resistor can be specified by the mask option.	Input	–
P60 to P63	Input	Port 6 4-bit input-only port	Input	ANI0 to ANI3

4.2 Non-Port Pins

Pin Name	I/O	Function	After Reset	Alternate Function
INTP0	Input	External interrupt request input for which the valid edge (rising edge, falling edge, or both rising and falling edges) can be specified	Input	P23/CPT20/SS20
INTP1				P24/TO80/TO20
INTP2				P25/TI80
SI20	Input	Serial interface serial data input	Input	P22/RxD20
SO20	Output	Serial interface serial data output	Input	P21/TxD20
SCK20	I/O	Serial interface serial clock input/output	Input	P20/ASCK20
ASCK20	Input	Serial clock input for asynchronous serial interface	Input	P20/SCK20
SS20	Input	Chip select input for serial interface	Input	P23/CPT20/INTP0
RxD20	Input	Serial data input for asynchronous serial interface	Input	P22/SI20
TxD20	Output	Serial data output for asynchronous serial interface	Input	P21/SO20
TI80	Input	External count clock input to 8-bit timer/event counter 80	Input	P25/INTP2
TO80	Output	8-bit timer/event counter 80 output	Input	P24/INTP1/TO20
TO20	Output	16-bit timer 20 output	Input	P24/INTP1/TO80
CPT20	Input	Capture edge input	Input	P23/INTP0/SS20
ANI0 to ANI3	Input	A/D converter analog input	Input	P60 to P63
AV _{DD}	-	A/D converter analog power supply	-	-
AV _{SS}	-	A/D converter ground potential	-	-
CL1	Input	Connected to resistor (R) or capacitor (C)	-	-
CL2	-		-	-
RESET	Input	System reset input	Input	-
V _{DD}	-	Positive power supply	-	-
V _{SS}	-	Ground potential	-	-
V _{PP}	-	Sets flash memory programming mode. Applies high voltage when a program is written or verified. Connect directly to V _{SS} in normal operation mode.	-	-
IC0	-	Internally connected. Connect directly to V _{SS} .	-	-

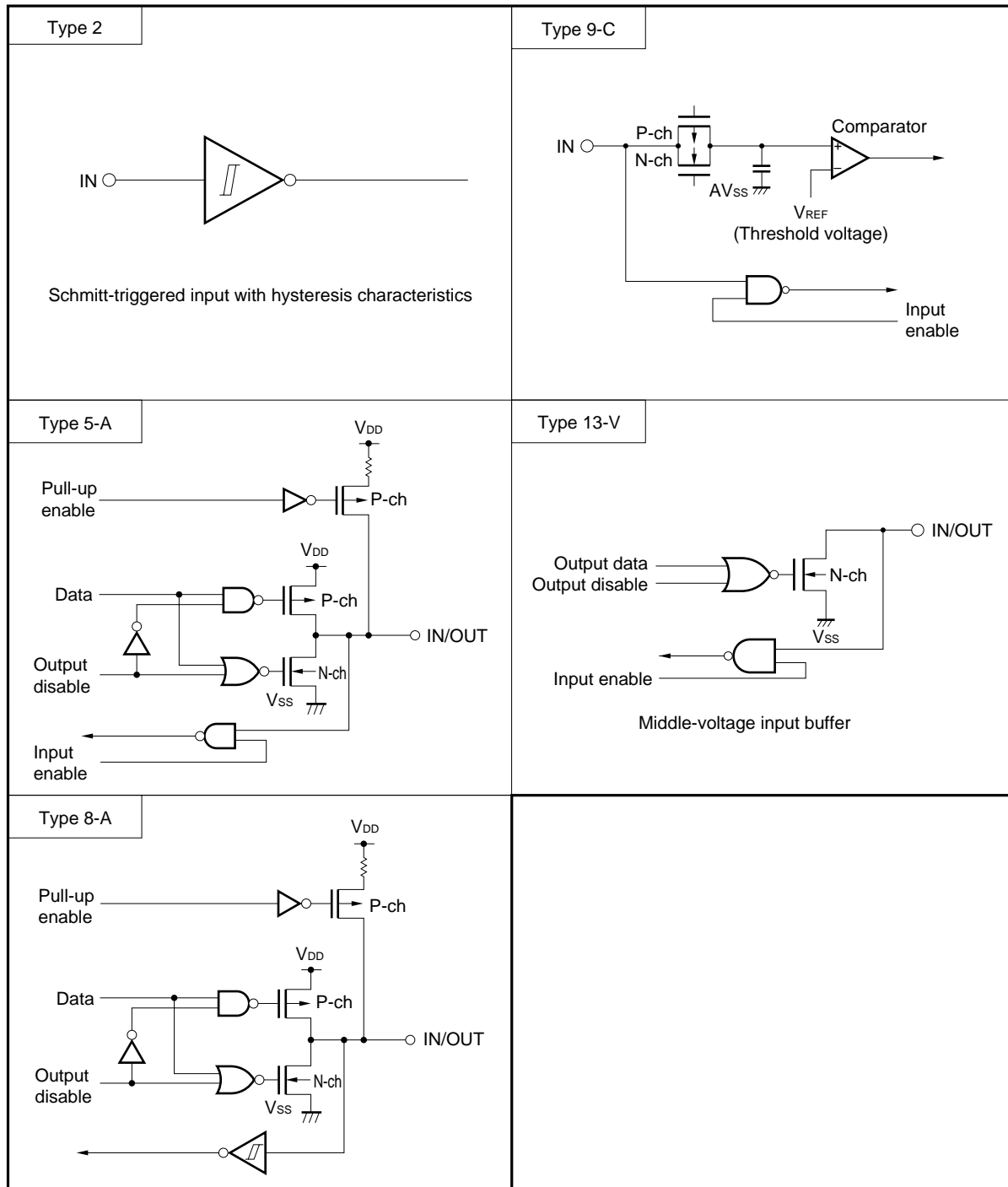
4.3 Pin I/O Circuits and Recommended Connection of Unused Pins

The input/output circuit type of each pin and recommended connection of unused pins are shown in Table 4-1. For the input/output circuit configuration of each type, refer to Figure 4-1.

Table 4-1. Types of Pin Input/Output Circuits

Pin Name	Input/Output Circuit Type	I/O	Recommended Connection of Unused Pins
P00 to P03	5-A	I/O	Input: Independently connect to V _{DD} or V _{SS} via a resistor. Output: Leave open
P10, P11			
P20/SCK20/ASCK20	8-A		Input: Independently connect to V _{SS} via a resistor. Output: Leave open
P21/SO20/TxD20			
P22/SI20/RxD20			
P23/INTP0/CPT20/SS20			
P24/INTP1/TO80/TO20			
P25/INTP2/TI80			
P50 to P53	13-V	Input: Independently connect to V _{DD} via a resistor. Output: Leave open	
P60/ANI0 to P63/ANI3	9-C	Input	Connect directly to V _{DD} or V _{SS} .
AV _{DD}	–	–	Connect to V _{DD} .
AV _{SS}	–	–	Connect to V _{SS} .
RESET	2	Input	–
V _{PP}	–	–	Connect directly to V _{SS} .
IC0	–	–	

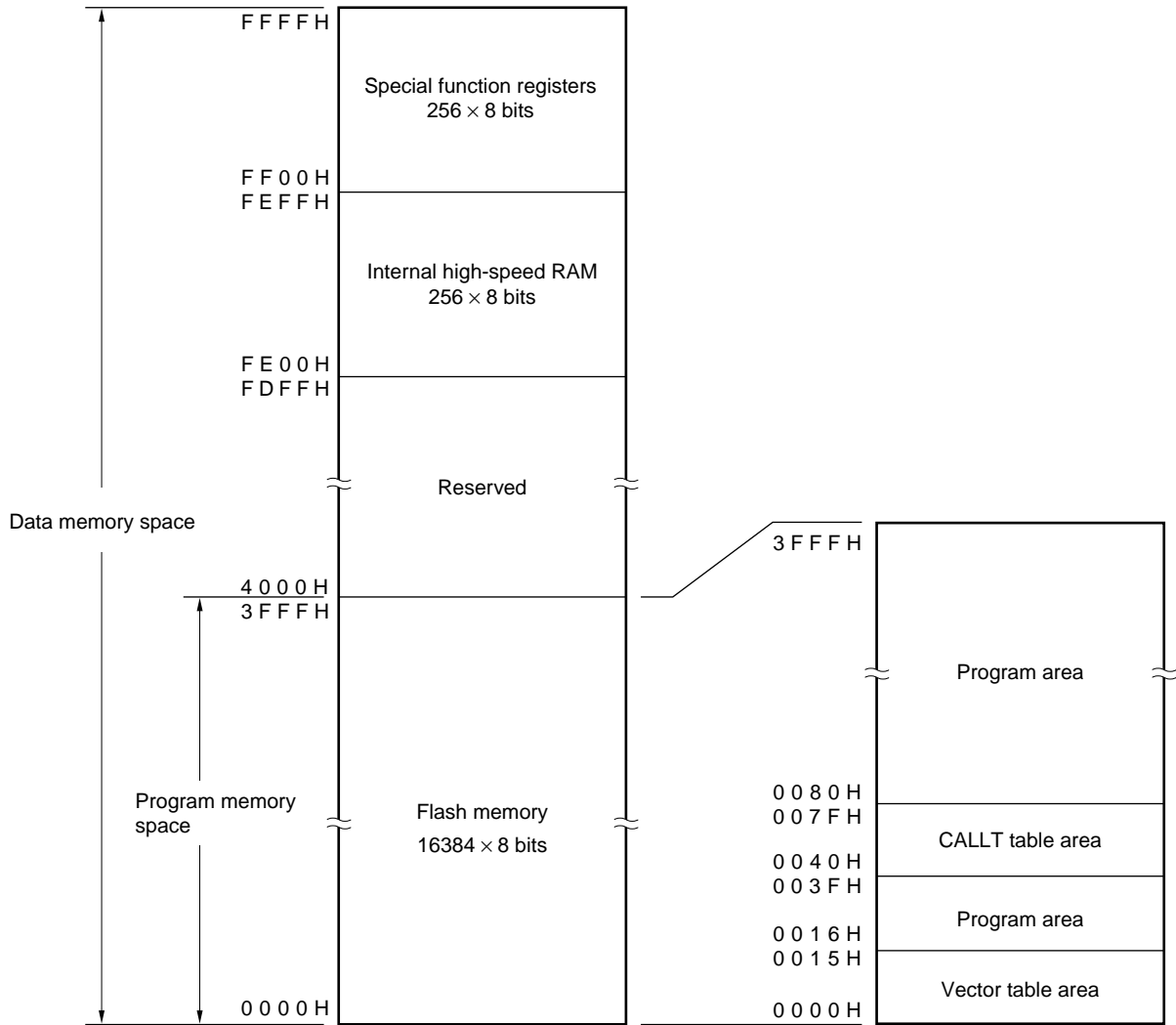
Figure 4-1. Pin Input/Output Circuits



5. MEMORY SPACE

Figure 5-1 shows the memory map of the μPD78F9136A.

Figure 5-1. Memory Map



6. FLASH MEMORY PROGRAMMING

The on-chip program memory in the μPD78F9136A is a flash memory.

The flash memory can be written with the μPD78F9136A mounted on the target system (on-board). Connect the dedicated flash programmer (Flashpro III (model number: FL-PR3, PG-FP3)) to the host machine and target system to write the flash memory.

Remark FL-PR3 is made by Naito Densai Machida Mfg. Co., Ltd..

6.1 Selecting Communication Mode

The flash memory is written by using Flashpro III and by means of serial communication. Select a communication mode from those listed in Table 6-1. To select a communication mode, the format shown in Figure 6-1 is used. Each communication mode is selected by the number of V_{PP} pulses shown in Table 6-1.

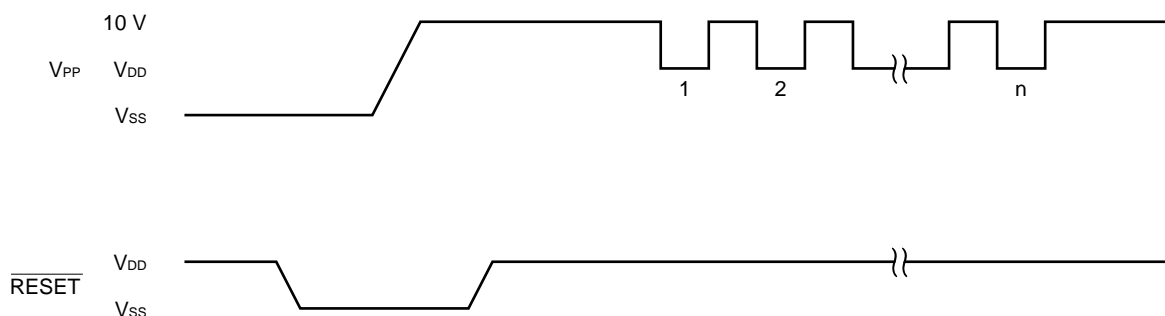
Table 6-1. Communication Mode List

Communication mode	Pins used	Number of V _{PP} pulses
3-wired serial I/O mode	SCK20/ASCK20/P20 SO20/TxD20/P21 SI20/RxD20/P22	0
UART	TxD20/SO20/P21 RxD/SI20/P22	8
Pseudo 3-wire mode ^{Note}	P00 (Serial clock input) P01 (Serial data output) P02 (Serial data input)	12

Note Serial transfer is performed by controlling a port by software.

Caution Be sure to select a communication mode depending on the V_{PP} pulse number shown in Table 6-1.

Figure 6-1. Communication Mode Selection Format



6.2 Function of Flash Memory Programming

By transmitting/receiving commands and data in the selected communication mode, operations such as writing to the flash memory are performed. Table 6-2 shows the major functions of flash memory programming.

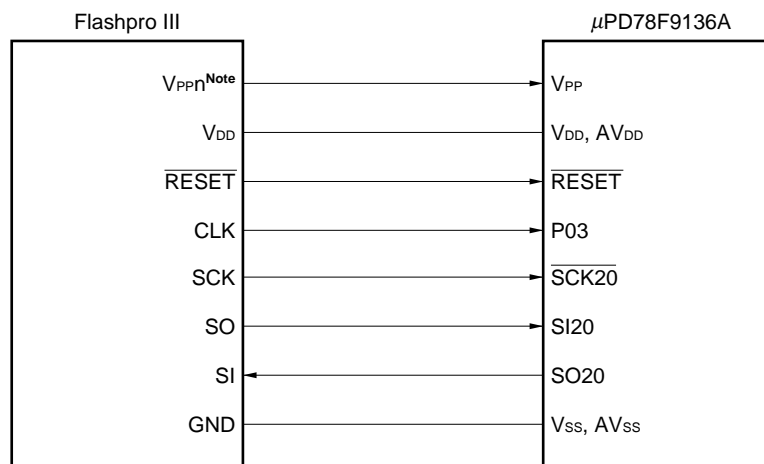
Table 6-2. Functions of Flash Memory Programming

Function	Description
Batch erase	Erases all contents of memory
Batch blank check	Checks erased state of entire memory
Data write	Write to flash memory based on write start address and number of data written (number of bytes)
Batch verify	Compares all contents of memory with input data

6.3 Flashpro III Connection

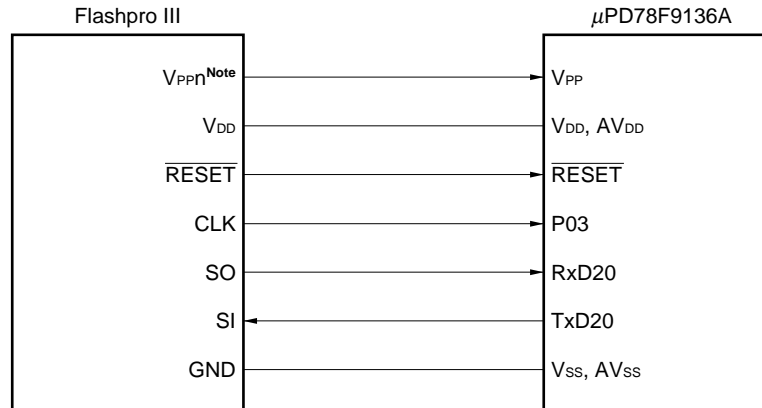
How the Flashpro III is connected to the μPD78F9136A differs depending on the communication mode (3-wired serial I/O or pseudo 3-wire mode). Figures 6-2 to 6-4 show the connection in the respective mode.

Figure 6-2. Flashpro III Connection in 3-wired Serial I/O Mode



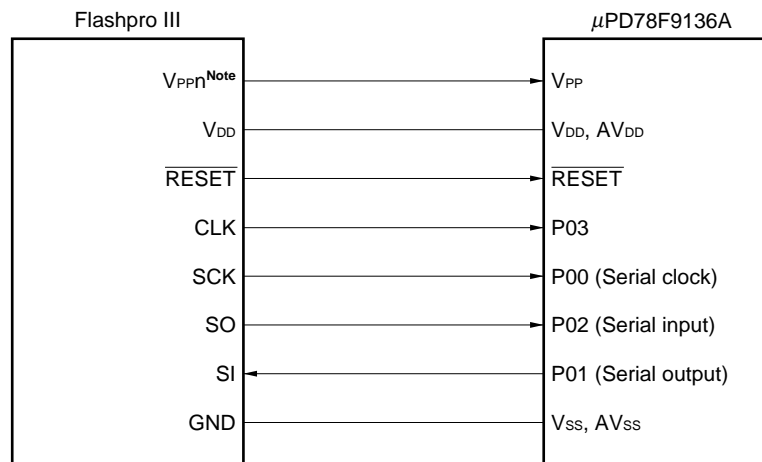
Note n = 1, 2

Figure 6-3. Flashpro III Connection in UART Mode



Note n= 1, 2

Figure 6-4. Flashpro III Connection in Pseudo 3-Wire Mode (When Port 0 is Used)



Note n= 1, 2

6.4 Example of Settings for Flashpro III (PG-FP3)

Set as follows when writing to flash memory using the Flashpro III (PG-FP3).

- <1> Download the parameter file.
- <2> Select the serial mode and the serial clock using the type command.
- <3> The following is a setting example using the PG-FP3.

Table 6-3. Example Using PG-FP3

Communication mode	Setting example using PG-FP3		Number of V _{PP} pulses ^{Note1}
3-wired serial I/O mode	COMM PORT	SIO ch-0	0
	CPU CLK	On target board	
		In Flashpro	
	On target board	4.1943 MHz	
	SIO CLK	1.0 MHz	
	In Flashpro	4.0 MHz	
SIO CLK	1.0 MHz		
UART	COMM PORT	UART-ch0	8
	CPU CLK	On target board	
		In Flashpro	
	On target board	4.1943 MHz	
UART BPS	9600 bps ^{Note2}		
Pseudo 3-wire mode	COMM PORT	Port B	12
	CPU CLK	On target board	
		In Flashpro	
	On target board	4.1943 MHz	
	SIO CLK	1 kHz	
	In Flashpro	4.0 MHz	
SIO CLK	1 kHz		

- Notes**
1. The number of V_{PP} pulses supplied from the Flashpro III during serial communication initialization. The pins to be used in communication are determined by this number of pulses.
 2. Select one of 9600 bps, 19200 bps, 38400 bps, or 76800 bps.

Remark

- COMM PORT : Selection of serial port
- SIO CLK : Selection of serial clock frequency
- CPU CLK : Selection of CPU clock source to be input

7. INSTRUCTION SET OVERVIEW

The instruction set for the μPD78F9136A is listed later.

7.1 Conventions

7.1.1 Operand identifiers and description methods

Operands are described in the “Operand” column of each instruction in accordance with the description method of the instruction operand identifier (refer to the assembler specifications for detail). When there are two or more description methods, select one of them. Alphabetic letters in capitals and the symbols, #, !, \$, and [], are keywords and must be described as they are. Each symbol has the following meaning.

- #: Immediate data specification
- \$: Relative address specification
- !: Absolute address specification
- []: Indirect address specification

In the case of immediate data, describe an appropriate numeric value or a label. When using a label, be sure to describe the #,!, \$, or [] symbols.

For operand register identifiers, r and rp, either function names (X, A, C, etc.) or absolute names (names in parentheses in the table below, R0, R1, R2, etc.) can be used for description.

Table 7-1. Operand Identifiers and Description Methods

Identifier	Description Method
r rp sfr	X (R0), A (R1), C (R2), B (R3), E (R4), D (R5), L (R6), H (R7), AX (RP0), BC (RP1), DE (RP2), HL (RP3) Special function register symbol
saddr saddrp	FE20H to FF1FH immediate data or label FE20H to FF1FH immediate data or label (even address only)
addr16 addr5	0000H to FFFFH immediate data or label (Only even addresses for 16-bit data transfer instructions) 0040H to 007FH immediate data or label (even address only)
word byte bit	16-bit immediate data or label 8-bit immediate data or label 3-bit immediate data or label

7.1.2 Descriptions of the operation field

A:	A register; 8-bit accumulator
X:	X register
B:	B register
C:	C register
D:	D register
E:	E register
H:	H register
L:	L register
AX:	AX register pair; 16-bit accumulator
BC:	BC register pair
DE:	DE register pair
HL:	HL register pair
PC:	Program counter
SP:	Stack pointer
PSW:	Program status word
CY:	Carry flag
AC:	Auxiliary carry flag
Z:	Zero flag
IE:	Interrupt request enable flag
NMIS:	Non-maskable interrupt servicing flag
():	Memory contents indicated by address or register contents in parentheses
X _H , X _L :	Higher 8 bits and lower 8 bits of 16-bit register
∧:	Logical product (AND)
∨:	Logical sum (OR)
⊕:	Exclusive OR
— :	Inverted data
addr16:	16-bit immediate data or label
jdisp8:	Signed 8-bit data (displacement value)

7.1.3 Description of the flag operation field

(Blank):	Not affected
0:	Cleared to 0
1:	Set to 1
×:	Set/cleared according to the result
R:	Previously saved value is restored

7.2 Operations

Mnemonic	Operand	Byte	Clock	Operation	Flag		
					Z	AC	CY
MOV	r, #byte	3	6	$r \leftarrow \text{byte}$			
	saddr, #byte	3	6	$(\text{saddr}) \leftarrow \text{byte}$			
	sfr, #byte	3	6	$\text{sfr} \leftarrow \text{byte}$			
	A, r <small>Note 1</small>	2	4	$A \leftarrow r$			
	r, A <small>Note 1</small>	2	4	$r \leftarrow A$			
	A, saddr	2	4	$A \leftarrow (\text{saddr})$			
	saddr, A	2	4	$(\text{saddr}) \leftarrow A$			
	A, sfr	2	4	$A \leftarrow \text{sfr}$			
	sfr, A	2	4	$\text{sfr} \leftarrow A$			
	A, !addr16	3	8	$A \leftarrow (\text{addr16})$			
	!addr16, A	3	8	$(\text{addr16}) \leftarrow A$			
	PSW, #byte	3	6	$\text{PSW} \leftarrow \text{byte}$	x	x	x
	A, PSW	2	4	$A \leftarrow \text{PSW}$			
	PSW, A	2	4	$\text{PSW} \leftarrow A$	x	x	x
	A, [DE]	1	6	$A \leftarrow (\text{DE})$			
	[DE], A	1	6	$(\text{DE}) \leftarrow A$			
	A, [HL]	1	6	$A \leftarrow (\text{HL})$			
	[HL], A	1	6	$(\text{HL}) \leftarrow A$			
	A, [HL + byte]	2	6	$A \leftarrow (\text{HL} + \text{byte})$			
	[HL + byte], A	2	6	$(\text{HL} + \text{byte}) \leftarrow A$			
XCH	A, X	1	4	$A \leftrightarrow X$			
	A, r <small>Note 2</small>	2	6	$A \leftrightarrow r$			
	A, saddr	2	6	$A \leftrightarrow (\text{saddr})$			
	A, sfr	2	6	$A \leftrightarrow (\text{sfr})$			
	A, [DE]	1	8	$A \leftrightarrow (\text{DE})$			
	A, [HL]	1	8	$A \leftrightarrow (\text{HL})$			
	A, [HL + byte]	2	8	$A \leftrightarrow (\text{HL} + \text{byte})$			
MOVW	rp, #word	3	6	$\text{rp} \leftarrow \text{word}$			
	AX, saddrp	2	6	$\text{AX} \leftarrow (\text{saddrp})$			
	saddrp, AX	2	8	$(\text{saddrp}) \leftarrow \text{AX}$			
	AX, rp <small>Note 3</small>	1	4	$\text{AX} \leftarrow \text{rp}$			
	rp, AX <small>Note 3</small>	1	4	$\text{rp} \leftarrow \text{AX}$			
XCHW	AX, rp <small>Note 3</small>	1	8	$\text{AX} \leftrightarrow \text{rp}$			

- Notes**
1. Except r = A
 2. Except r = A or X
 3. Only when rp = BC, DE, HL

Remark One instruction clock cycle is one cycle of the CPU clock (f_{CPU}), selected by the processor clock control register (PCC).

Mnemonic	Operand	Byte	Clock	Operation	Flag		
					Z	AC	CY
ADD	A, #byte	2	4	$A, CY \leftarrow A + \text{byte}$	x	x	x
	saddr, #byte	3	6	$(\text{saddr}), CY \leftarrow (\text{saddr}) + \text{byte}$	x	x	x
	A, r	2	4	$A, CY \leftarrow A + r$	x	x	x
	A, saddr	2	4	$A, CY \leftarrow A + (\text{saddr})$	x	x	x
	A, !addr16	3	8	$A, CY \leftarrow A + (\text{addr16})$	x	x	x
	A, [HL]	1	6	$A, CY \leftarrow A + (\text{HL})$	x	x	x
	A, [HL + byte]	2	6	$A, CY \leftarrow A + (\text{HL} + \text{byte})$	x	x	x
ADDC	A, #byte	2	4	$A, CY \leftarrow A + \text{byte} + CY$	x	x	x
	saddr, #byte	3	6	$(\text{saddr}), CY \leftarrow (\text{saddr}) + \text{byte} + CY$	x	x	x
	A, r	2	4	$A, CY \leftarrow A + r + CY$	x	x	x
	A, saddr	2	4	$A, CY \leftarrow A + (\text{saddr}) + CY$	x	x	x
	A, !addr16	3	8	$A, CY \leftarrow A + (\text{addr16}) + CY$	x	x	x
	A, [HL]	1	6	$A, CY \leftarrow A + (\text{HL}) + CY$	x	x	x
	A, [HL + byte]	2	6	$A, CY \leftarrow A + (\text{HL} + \text{byte}) + CY$	x	x	x
SUB	A, #byte	2	4	$A, CY \leftarrow A - \text{byte}$	x	x	x
	saddr, #byte	3	6	$(\text{saddr}), CY \leftarrow (\text{saddr}) - \text{byte}$	x	x	x
	A, r	2	4	$A, CY \leftarrow A - r$	x	x	x
	A, saddr	2	4	$A, CY \leftarrow A - (\text{saddr})$	x	x	x
	A, !addr16	3	8	$A, CY \leftarrow A - (\text{addr16})$	x	x	x
	A, [HL]	1	6	$A, CY \leftarrow A - (\text{HL})$	x	x	x
	A, [HL + byte]	2	6	$A, CY \leftarrow A - (\text{HL} + \text{byte})$	x	x	x
SUBC	A, #byte	2	4	$A, CY \leftarrow A - \text{byte} - CY$	x	x	x
	saddr, #byte	3	6	$(\text{saddr}), CY \leftarrow (\text{saddr}) - \text{byte} - CY$	x	x	x
	A, r	2	4	$A, CY \leftarrow A - r - CY$	x	x	x
	A, saddr	2	4	$A, CY \leftarrow A - (\text{saddr}) - CY$	x	x	x
	A, !addr16	3	8	$A, CY \leftarrow A - (\text{addr16}) - CY$	x	x	x
	A, [HL]	1	6	$A, CY \leftarrow A - (\text{HL}) - CY$	x	x	x
	A, [HL + byte]	2	6	$A, CY \leftarrow A - (\text{HL} + \text{byte}) - CY$	x	x	x
AND	A, #byte	2	4	$A \leftarrow A \wedge \text{byte}$	x		
	saddr, #byte	3	6	$(\text{saddr}) \leftarrow (\text{saddr}) \wedge \text{byte}$	x		
	A, r	2	4	$A \leftarrow A \wedge r$	x		
	A, saddr	2	4	$A \leftarrow A \wedge (\text{saddr})$	x		
	A, !addr16	3	8	$A \leftarrow A \wedge (\text{addr16})$	x		
	A, [HL]	1	6	$A \leftarrow A \wedge (\text{HL})$	x		
	A, [HL + byte]	2	6	$A \leftarrow A \wedge (\text{HL} + \text{byte})$	x		

Remark One instruction clock cycle is one cycle of the CPU clock (f_{cpu}), selected by the processor clock control register (PCC).

Mnemonic	Operand	Byte	Clock	Operation	Flag		
					Z	AC	CY
OR	A, #byte	2	4	$A \leftarrow A \vee \text{byte}$	x		
	saddr, #byte	3	6	$(\text{saddr}) \leftarrow (\text{saddr}) \vee \text{byte}$	x		
	A, r	2	4	$A \leftarrow A \vee r$	x		
	A, saddr	2	4	$A \leftarrow A \vee (\text{saddr})$	x		
	A, !addr16	3	8	$A \leftarrow A \vee (\text{addr16})$	x		
	A, [HL]	1	6	$A \leftarrow A \vee (\text{HL})$	x		
	A, [HL + byte]	2	6	$A \leftarrow A \vee (\text{HL} + \text{byte})$	x		
XOR	A, #byte	2	4	$A \leftarrow A \nabla \text{byte}$	x		
	saddr, #byte	3	6	$(\text{saddr}) \leftarrow (\text{saddr}) \nabla \text{byte}$	x		
	A, r	2	4	$A \leftarrow A \nabla r$	x		
	A, saddr	2	4	$A \leftarrow A \nabla (\text{saddr})$	x		
	A, !addr16	3	8	$A \leftarrow A \nabla (\text{addr16})$	x		
	A, [HL]	1	6	$A \leftarrow A \nabla (\text{HL})$	x		
	A, [HL + byte]	2	6	$A \leftarrow A \nabla (\text{HL} + \text{byte})$	x		
CMP	A, #byte	2	4	$A - \text{byte}$	x	x	x
	saddr, #byte	3	6	$(\text{saddr}) - \text{byte}$	x	x	x
	A, r	2	4	$A - r$	x	x	x
	A, saddr	2	4	$A - (\text{saddr})$	x	x	x
	A, !addr16	3	8	$A - (\text{addr16})$	x	x	x
	A, [HL]	1	6	$A - (\text{HL})$	x	x	x
	A, [HL + byte]	2	6	$A - (\text{HL} + \text{byte})$	x	x	x
ADDW	AX, #word	3	6	$\text{AX}, \text{CY} \leftarrow \text{AX} + \text{word}$	x	x	x
SUBW	AX, #word	3	6	$\text{AX}, \text{CY} \leftarrow \text{AX} - \text{word}$	x	x	x
CMPW	AX, #word	3	6	$\text{AX} - \text{word}$	x	x	x
INC	r	2	4	$r \leftarrow r + 1$	x	x	
	saddr	2	4	$(\text{saddr}) \leftarrow (\text{saddr}) + 1$	x	x	
DEC	r	2	4	$r \leftarrow r - 1$	x	x	
	saddr	2	4	$(\text{saddr}) \leftarrow (\text{saddr}) - 1$	x	x	
INCW	rp	1	4	$\text{rp} \leftarrow \text{rp} + 1$			
DECW	rp	1	4	$\text{rp} \leftarrow \text{rp} - 1$			
ROR	A, 1	1	2	$(\text{CY}, A_7 \leftarrow A_0, A_{m-1} \leftarrow A_m) \times 1$			x
ROL	A, 1	1	2	$(\text{CY}, A_0 \leftarrow A_7, A_{m+1} \leftarrow A_m) \times 1$			x
RORC	A, 1	1	2	$(\text{CY} \leftarrow A_0, A_7 \leftarrow \text{CY}, A_{m-1} \leftarrow A_m) \times 1$			x
ROLC	A, 1	1	2	$(\text{CY} \leftarrow A_7, A_0 \leftarrow \text{CY}, A_{m+1} \leftarrow A_m) \times 1$			x

Remark One instruction clock cycle is one cycle of the CPU clock (f_{CPU}), selected by the processor clock control register (PCC).

Mnemonic	Operand	Byte	Clock	Operation	Flag		
					Z	AC	CY
SET1	saddr. bit	3	6	(saddr. bit) ← 1			
	sfr. bit	3	6	sfr. bit ← 1			
	A. bit	2	4	A. bit ← 1			
	PSW. bit	3	6	PSW. bit ← 1	x	x	x
	[HL]. bit	2	10	(HL). bit ← 1			
CLR1	saddr. bit	3	6	(saddr. bit) ← 0			
	sfr. bit	3	6	sfr. bit ← 0			
	A. bit	2	4	A. bit ← 0			
	PSW. bit	3	6	PSW. bit ← 0	x	x	x
	[HL]. bit	2	10	(HL). bit ← 0			
SET1	CY	1	2	CY ← 1			1
CLR1	CY	1	2	CY ← 0			0
NOT1	CY	1	2	CY ← \overline{CY}			x
CALL	!addr16	3	6	(SP - 1) ← (PC + 3) _H , (SP - 2) ← (PC + 3) _L , PC ← addr16, SP ← SP - 2			
CALLT	[addr5]	1	8	(SP - 1) ← (PC + 1) _H , (SP - 2) ← (PC + 1) _L , PC _H ← (00000000, addr5 + 1), PC _L ← (00000000, addr5), SP ← SP - 2			
RET		1	6	PC _H ← (SP + 1), PC _L ← (SP), SP ← SP + 2			
RETI		1	8	PC _H ← (SP + 1), PC _L ← (SP), PSW ← (SP + 2), SP ← SP + 3, NMIS ← 0	R	R	R
PUSH	PSW	1	2	(SP - 1) ← PSW, SP ← SP - 1			
	rp	1	4	(SP - 1) ← rp _H , (SP - 2) ← rp _L , SP ← SP - 2			
POP	PSW	1	4	PSW ← (SP), SP ← SP + 1	R	R	R
	rp	1	6	rp _H ← (SP + 1), rp _L ← (SP), SP ← SP + 2			
MOVW	SP, AX	2	8	SP ← AX			
	AX, SP	2	6	AX ← SP			
BR	!addr16	3	6	PC ← addr16			
	\$addr16	2	6	PC ← PC + 2 + jdisp8			
	AX	1	6	PC _H ← A, PC _L ← X			

Remark One instruction clock cycle is one cycle of the CPU clock (f_{CPU}), selected by the processor clock control register (PCC).

Mnemonic	Operand	Byte	Clock	Operation	Flag		
					Z	AC	CY
BC	\$addr16	2	6	$PC \leftarrow PC + 2 + jdisp8$ if $CY = 1$			
BNC	\$addr16	2	6	$PC \leftarrow PC + 2 + jdisp8$ if $CY = 0$			
BZ	\$addr16	2	6	$PC \leftarrow PC + 2 + jdisp8$ if $Z = 1$			
BNZ	\$addr16	2	6	$PC \leftarrow PC + 2 + jdisp8$ if $Z = 0$			
BT	saddr. bit, \$addr16	4	10	$PC \leftarrow PC + 4 + jdisp8$ if (saddr. bit) = 1			
	sfr. bit, \$addr16	4	10	$PC \leftarrow PC + 4 + jdisp8$ if sfr. bit = 1			
	A. bit, \$addr16	3	8	$PC \leftarrow PC + 3 + jdisp8$ if A. bit = 1			
	PSW. bit, \$addr16	4	10	$PC \leftarrow PC + 4 + jdisp8$ if PSW. bit = 1			
BF	saddr. bit, \$addr16	4	10	$PC \leftarrow PC + 4 + jdisp8$ if (saddr. bit) = 0			
	sfr. bit, \$addr16	4	10	$PC \leftarrow PC + 4 + jdisp8$ if sfr. bit = 0			
	A. bit, \$addr16	3	8	$PC \leftarrow PC + 3 + jdisp8$ if A. bit = 0			
	PSW. bit, \$addr16	4	10	$PC \leftarrow PC + 4 + jdisp8$ if PSW. bit = 0			
DBNZ	B, \$addr16	2	6	$B \leftarrow B - 1$, then $PC \leftarrow PC + 2 + jdisp8$ if $B \neq 0$			
	C, \$addr16	2	6	$C \leftarrow C - 1$, then $PC \leftarrow PC + 2 + jdisp8$ if $C \neq 0$			
	saddr, \$addr16	3	8	(saddr) \leftarrow (saddr) - 1, then $PC \leftarrow PC + 3 + jdisp8$ if (saddr) $\neq 0$			
NOP		1	2	No Operation			
EI		3	6	$IE \leftarrow 1$ (Enable Interrupt)			
DI		3	6	$IE \leftarrow 0$ (Disable Interrupt)			
HALT		1	2	Set HALT Mode			
STOP		1	2	Set STOP Mode			

Remark One instruction clock cycle is one cycle of the CPU clock (f_{CPU}), selected by the processor clock control register (PCC).

8. ELECTRICAL SPECIFICATIONS

Absolute Maximum Ratings (T_A = 25°C)

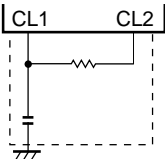
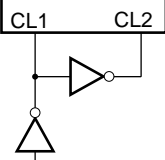
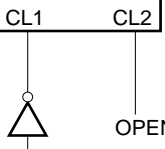
Parameter	Symbol	Conditions	Ratings	Unit
Supply voltage	V _{DD} , AV _{DD}	V _{DD} = AV _{DD}	-0.3 to +6.5	V
	V _{PP}		-0.3 to +10.5	V
Input voltage	V _{I1}	Pins other than P50 to P53	-0.3 to V _{DD} + 0.3	V
	V _{I2}	P50 to P53 With N-ch open drain	-0.3 to +13	V
Output voltage	V _O		-0.3 to V _{DD} + 0.3	V
Output current, high	I _{OH}	Per pin	-10	mA
		Total for all pins	-30	mA
Output current, low	I _{OL}	Per pin	30	mA
		Total for all pins	160	mA
Operating ambient temperature	T _A	In normal operation mode	-40 to +85	°C
		During flash memory programming	10 to 40	°C
Storage temperature	T _{stg}		-40 to +125	°C

Caution Product quality may suffer if the absolute maximum rating is exceeded even momentarily for any parameter. That is, the absolute maximum ratings are rated values at which the product is on the verge of suffering physical damage, and therefore the product must be used under conditions that ensure that the absolute maximum ratings are not exceeded.

Remark Unless specified otherwise, the characteristics of alternate-function pins are the same as those of port pins.

System Clock Oscillator Characteristics

(T_A = -40 to +85°C, V_{DD} = 1.8 to 5.5 V)

Resonator	Recommended Circuit	Parameter	Conditions	MIN.	TYP.	MAX.	Unit
RC resonator		Oscillation frequency (f _{CC}) ^{Note 1}	V _{DD} = oscillation voltage range	2.0		4.0	MHz
External clock		CL1 input frequency (f _{CC}) ^{Note 1}		1.0		5.0	MHz
		CL1 input high-/low-level width (t _{xH} , t _{xL})		85		500	ns
		CL1 input frequency (f _{CC}) ^{Note 1}	V _{DD} = 2.7 to 5.5 V	1.0		5.0	MHz
		CL1 input high-/low-level width (t _{xH} , t _{xL})		85		500	ns

Note Indicates only oscillator characteristics. Refer to **AC characteristics** for instruction execution time.

Caution When using the system clock oscillator, wire as follows in the area enclosed by the broken lines in the above figures to avoid an adverse effect from wiring capacitance.

- Keep the wiring length as short as possible.
- Do not cross the wiring with the other signal lines.
- Do not route the wiring near a signal line through which a high fluctuating current flows.
- Always make the ground point of the oscillator capacitor the same potential as V_{SS}.
- Do not ground the capacitor to a ground pattern through which a high current flows.
- Do not fetch signals from the oscillator.

RC Oscillator Frequency Characteristics (T_A = -40 to +85°C)

Parameter	Symbol	Conditions	MIN.	TYP.	MAX.	Unit	
Oscillator frequency	f _{CC1}	R = 11.0 k Ω, C = 22 pF	V _{DD} = 2.7 to 5.5 V	1.5	2.0	2.5	MHz
	f _{CC2}	Target : 2 MHz	V _{DD} = 1.8 to 3.6 V	0.5	2.0	2.5	MHz
	f _{CC3}		V _{DD} = 1.8 to 5.5 V	0.5	2.0	2.5	MHz
	f _{CC4}	R = 6.8 k Ω, C = 22 pF	V _{DD} = 2.7 to 5.5 V	2.5	3.0	3.5	MHz
	f _{CC5}	Target : 3 MHz	V _{DD} = 1.8 to 3.6 V	0.75	3.0	3.5	MHz
	f _{CC6}		V _{DD} = 1.8 to 5.5 V	0.75	3.0	3.5	MHz
	f _{CC7}	R = 4.7 k Ω, C = 22 pF	V _{DD} = 2.7 to 5.5 V	3.5	4.0	4.7	MHz
	f _{CC8}	Target : 4 MHz	V _{DD} = 1.8 to 3.6 V	1.0	4.0	4.7	MHz
	f _{CC9}		V _{DD} = 1.8 to 5.5 V	1.0	4.0	4.7	MHz

Remark So that the TYP. Spec is satisfied between 2.0 to 4.0 MHz, set one of the above nine patterns for R and C.

DC Characteristics (T_A = -40 to +85°C, V_{DD} = 1.8 to 5.5 V) (1/2)

Parameter	Symbol	Conditions		MIN.	TYP.	MAX.	Unit		
Output current, high	I _{OH}	Per pin				-1	mA		
		Total for all pins				-15	mA		
Output current, low	I _{OL}	Per pin				10	mA		
		Total for all pins				80	mA		
Input voltage, high	V _{IH1}	Pins other than described below		V _{DD} = 2.7 to 5.5 V		0.7 V _{DD}	V		
						0.9 V _{DD}	V _{DD}	V	
	V _{IH2}	P50 to P53	N-ch open drain	V _{DD} = 2.7 to 5.5 V		0.7 V _{DD}	12	V	
				V _{DD} = 1.8 to 5.5 V T _A = 25 to 85 °C		0.9 V _{DD}	12	V	
	V _{IH3}	RESET, P20 to P25		V _{DD} = 2.7 to 5.5 V		0.8 V _{DD}	V _{DD}	V	
						0.9 V _{DD}	V _{DD}	V	
	V _{IH4}	CL1, CL2		V _{DD} = 4.5 to 5.5 V		V _{DD} -0.5	V _{DD}	V	
						V _{DD} -0.1	V _{DD}	V	
Input voltage, low	V _{IL1}	Pins other than described below		V _{DD} = 2.7 to 5.5 V		0	0.3 V _{DD}	V	
						0	0.1 V _{DD}	V	
	V _{IL2}	P50 to P53		V _{DD} = 2.7 to 5.5 V		0	0.3 V _{DD}	V	
						0	0.1 V _{DD}	V	
	V _{IL3}	RESET, P20 to P25		V _{DD} = 2.7 to 5.5 V		0	0.2 V _{DD}	V	
						0	0.1 V _{DD}	V	
V _{IL4}	CL1, CL2		V _{DD} = 4.5 to 5.5 V		0	0.4	V		
					0	0.1	V		
Output voltage, high	V _{OH1}	V _{DD} = 4.5 to 5.5 V, I _{OH} = -1 mA				V _{DD} -1.0	V		
	V _{OH2}	V _{DD} = 1.8 to 5.5 V, I _{OH} = -100 μA				V _{DD} -0.5	V		
Output voltage, low	V _{OL1}	Pins other than P50 to P53	V _{DD} = 4.5 to 5.5 V, I _{OL} = 10 mA				1.0	V	
			V _{DD} = 1.8 to 5.5 V, I _{OL} = 400 μA				0.5	V	
	V _{OL2}	P50 to P53		V _{DD} = 4.5 to 5.5 V, I _{OL} = 10 mA				1.0	V
				V _{DD} = 1.8 to 5.5 V, I _{OL} = 1.6 mA				0.4	V

Remark Unless specified otherwise, the characteristics of alternate-function pins are the same as those of port pins.

DC Characteristics (T_A = -40 to +85°C, V_{DD} = 1.8 to 5.5 V) (2/2)

Parameter	Symbol	Conditions		MIN.	TYP.	MAX.	Unit
Input leakage current, high	I _{LIH1}	Pins other than CL1, CL2, or P50 to P53	V _{IN} = V _{DD}			3	μA
	I _{LIH2}	CL1, CL2				20	μA
	I _{LIH3}	P50 to P53 (N-ch open drain)	V _{IN} = 12 V			20	μA
Input leakage current, low	I _{LIL1}	Pins other than CL1, CL2, or P50 to P53	V _{IN} = 0 V			-3	μA
	I _{LIL2}	CL1, CL2				-20	μA
	I _{LIL3}	P50 to P53 (N-ch open drain)				-3 ^{Note 1}	μA
Output leakage current, high	I _{LOH}	V _{OUT} = V _{DD}				3	μA
Output leakage current, low	I _{LOL}	V _{OUT} = 0 V				-3	μA
Software pull-up resistor	R ₁	V _{IN} = 0 V, for pins other than P50 to P53		50	100	200	kΩ
Power supply current	I _{DD1} ^{Note 2}	4.0-MHz RC oscillation operating mode (R = 4.7 kΩ, C = 22pF)	V _{DD} = 5.0 V ± 10% ^{Note 4}		5.0	15.0	mA
			V _{DD} = 3.0 V ± 10% ^{Note 5}		1.9	4.9	mA
			V _{DD} = 2.0 V ± 10% ^{Note 5}		1.5	3.0	mA
	I _{DD2} ^{Note 2}	4.0-MHz RC oscillation HALT mode (R = 4.7 kΩ, C = 22pF)	V _{DD} = 5.0 V ± 10% ^{Note 4}		2.5	5.0	mA
			V _{DD} = 3.0 V ± 10% ^{Note 5}		1.0	2.0	mA
			V _{DD} = 2.0 V ± 10% ^{Note 5}		0.75	1.5	mA
	I _{DD3} ^{Note 2}	STOP mode	V _{DD} = 5.0 V ± 10%		0.1	30	μA
			V _{DD} = 3.0 V ± 10%		0.05	10	μA
			V _{DD} = 2.0 V ± 10%		0.05	10	μA
	I _{DD4} ^{Note 3}	4.0-MHz RC oscillation A/D operating mode (R = 4.7 kΩ, C = 22pF)	V _{DD} = 5.0 V ± 10% ^{Note 4}		6.2	17.3	mA
			V _{DD} = 3.0 V ± 10% ^{Note 5}		3.1	7.2	mA
			V _{DD} = 2.0 V ± 10% ^{Note 5}		2.5	5.0	mA

- Notes**
1. When port 5 is in input mode, a low-level input leakage current of -60 μA (MAX.) flows only for 1 cycle time after a read instruction has been executed to port 5.
 2. The current flowing to the ports (including the current flowing through an on-chip pull-up resistor) and AV_{DD} current are not included.
 3. The current flowing to the ports (including the current flowing through an on-chip pull-up resistor) is not included.
 4. High-speed mode operation (when processor clock control register (PCC) is set to 00H.)
 5. Low-speed mode operation (when PCC is set to 02H).

Remark Unless specified otherwise, the characteristics of alternate-function pins are the same as those of port pins.

FLASH MEMORY WRITE/DELETE CHARACTERISTICS (T_A = 10°C to 40°C, V_{DD} = 1.8 to 5.5 V)

Parameter	Symbol	Conditions	MIN.	TYP.	MAX.	Unit
Write current (V _{DD} pin) ^{Note}	I _{DDW}	When V _{PP} supply voltage = V _{PP1} (in 5.0-MHz operation mode)			18	mA
Write current (V _{PP} pin) ^{Note}	I _{PPW}	When V _{PP} supply voltage = V _{PP1}			22.5	mA
Delete current (V _{DD} pin) ^{Note}	I _{DDE}	When V _{PP} supply voltage = V _{PP1} (in 5.0-MHz operation mode)			18	mA
Delete current (V _{PP} pin) ^{Note}	I _{PPE}	When V _{PP} supply voltage = V _{PP1}			115	mA
Unit delete time	t _{er}		0.5	1	1	s
Total delete time	t _{era}				20	s
Write count		Delete/write are regarded as 1 cycle			20	Times
V _{PP} supply voltage	V _{PP0}	In normal operation	0		0.2V _{DD}	V
	V _{PP1}	During flash memory programming	9.7	10.0	10.3	V

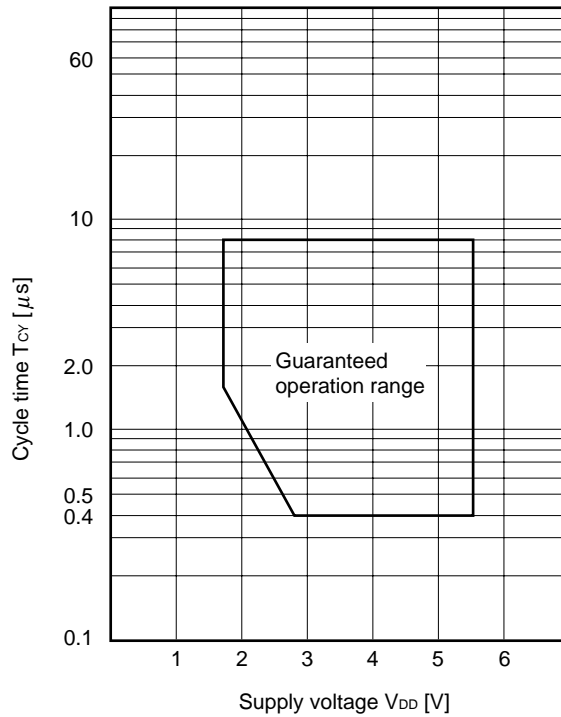
Note The current flowing to the ports (including the current flowing through an on-chip pull-up resistor) and AV_{DD} current are not included.

AC Characteristics

(1) Basic operation (T_A = -40 to +85°C, V_{DD} = 1.8 to 5.5 V)

Parameter	Symbol	Conditions	MIN.	TYP.	MAX.	Unit
Cycle time (minimum instruction execution time)	T _{CY}	V _{DD} = 2.7 to 5.5 V	0.4		8	μs
			1.6		8	μs
T180 input high-/low- level width	t _{TIH} , t _{TIL}	V _{DD} = 2.7 to 5.5 V	0.1			μs
			1.8			μs
T180 input frequency	f _{T1}	V _{DD} = 2.7 to 5.5 V	0		4	MHz
			0		275	kHz
Interrupt input high- /low-level width	t _{INTH} , t _{INTL}	INTP0 to INTP2	10			μs
RESET low-level width	t _{RSL}		10			μs
CPT20 input high- /low-level width	t _{CPH} , t _{CPL}		10			μs

T_{CY} vs V_{DD}



(2) Serial interface (T_A = -40 to +85°C, V_{DD} = 1.8 to 5.5 V)

(i) 3-wire serial I/O mode (SCK20...Internal clock output)

Parameter	Symbol	Conditions	MIN.	TYP.	MAX.	Unit
SCK20 cycle time	t _{KCY1}	V _{DD} = 2.7 to 5.5 V	800			ns
			3200			ns
SCK20 high-/low-level width	t _{KH1} , t _{KL1}	V _{DD} = 2.7 to 5.5 V	t _{KCY1} /2 - 50			ns
			t _{KCY1} /2 - 150			ns
SI20 setup time (to SCK20↑)	t _{SIK1}	V _{DD} = 2.7 to 5.5 V	150			ns
			500			ns
SI20 hold time (from SCK20↑)	t _{KS1}	V _{DD} = 2.7 to 5.5 V	400			ns
			600			ns
SO20 output delay time from SCK20↓	t _{KSO1}	R = 1 kΩ, C = 100 pF ^{Note}	V _{DD} = 2.7 to 5.5 V		250	ns
				0	1000	ns

Note R and C are the load resistance and load capacitance of the SO output line.

(ii) 3-wire serial I/O mode (SCK20...External clock input)

Parameter	Symbol	Conditions	MIN.	TYP.	MAX.	Unit
SCK20 cycle time	t _{KCY2}	V _{DD} = 2.7 to 5.5 V	800			ns
			3200			ns
SCK20 high-/low-level width	t _{KH2} , t _{KL2}	V _{DD} = 2.7 to 5.5 V	400			ns
			1600			ns
SI20 setup time (to SCK20↑)	t _{SIK2}	V _{DD} = 2.7 to 5.5 V	100			ns
			150			ns
SI20 hold time (from SCK20↑)	t _{KS2}	V _{DD} = 2.7 to 5.5 V	400			ns
			600			ns
SO20 output delay time from SCK20↓	t _{KSO2}	R = 1 kΩ, C = 100 pF ^{Note}	V _{DD} = 2.7 to 5.5 V		300	ns
				0	1000	ns
SO20 setup time (for SS20↓ when SS20 is used)	t _{KAS2}	V _{DD} = 2.7 to 5.5 V			120	ns
					400	ns
SO20 disable time (for SS20↑ when SS20 is used)	t _{KDS2}	V _{DD} = 2.7 to 5.5 V			240	ns
					800	ns

Note R and C are the load resistance and load capacitance of the SO output line.

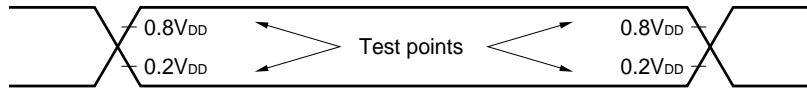
(iii) UART mode (Dedicated baud rate generator output)

Parameter	Symbol	Conditions	MIN.	TYP.	MAX.	Unit
Transfer rate		V _{DD} = 2.7 to 5.5 V			78125	bps
					19531	bps

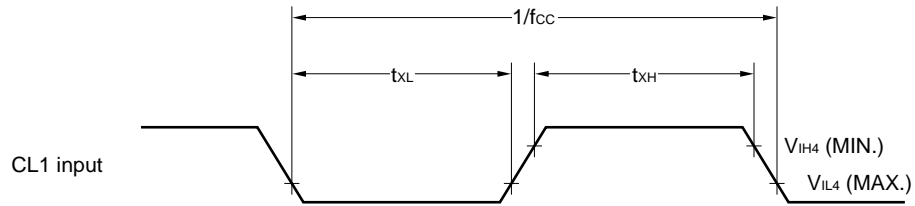
(iv) UART mode (external clock input)

Parameter	Symbol	Conditions	MIN.	TYP.	MAX.	Unit
ASCK20 cycle time	t _{KCY3}	V _{DD} = 2.7 to 5.5 V	800			ns
			3200			ns
ASCK20 high-/low-level width	t _{KH3} , t _{KL3}	V _{DD} = 2.7 to 5.5 V	400			ns
			1600			ns
Transfer rate		V _{DD} = 2.7 to 5.5 V			39063	bps
					9766	bps
ASCK20 rise/fall time	t _R , t _F				1	μs

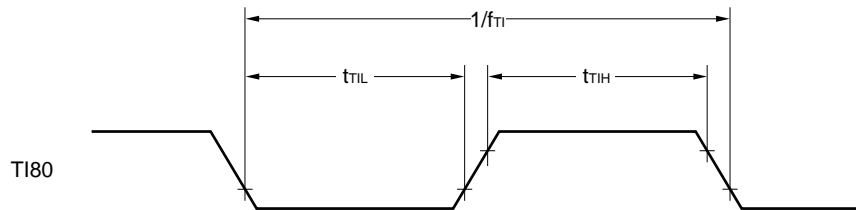
AC Timing Test Points (excluding CL1 input)



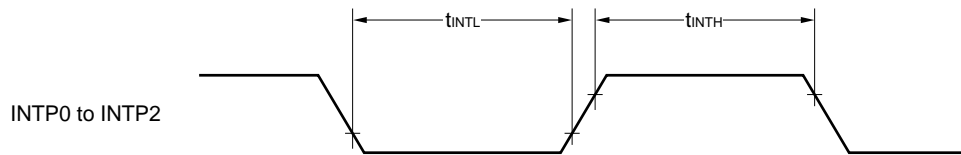
Clock Timing



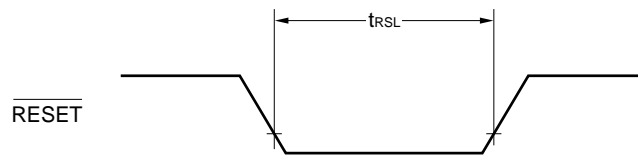
TI Timing



Interrupt Input Timing

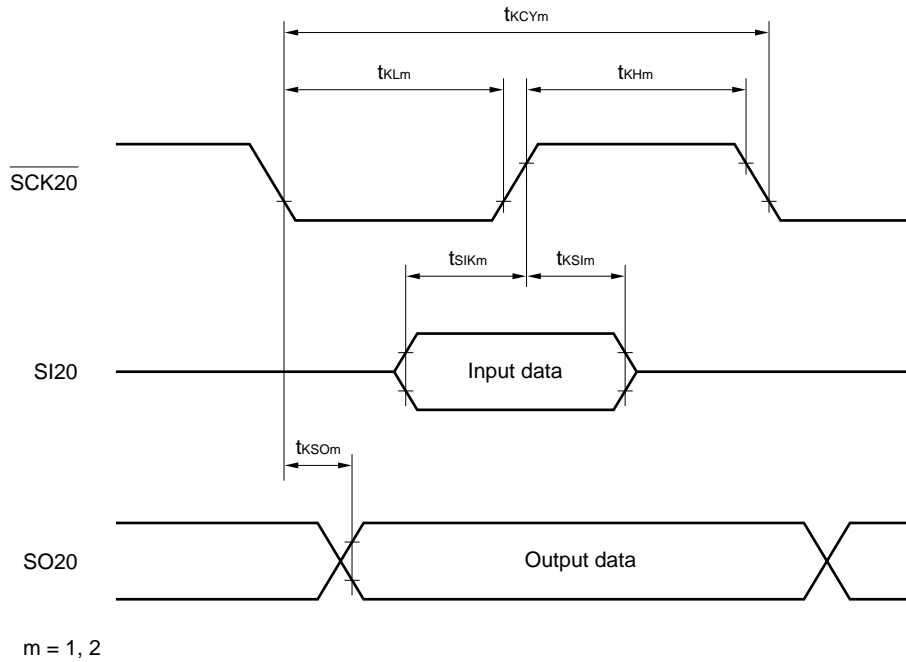


\overline{RESET} Input Timing

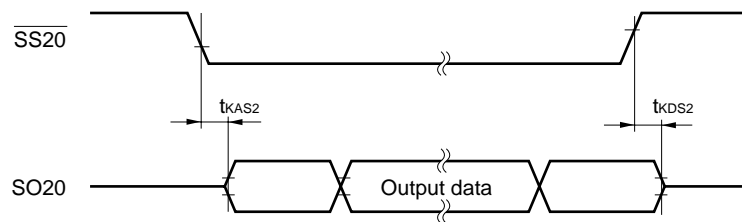


Serial Transfer Timing

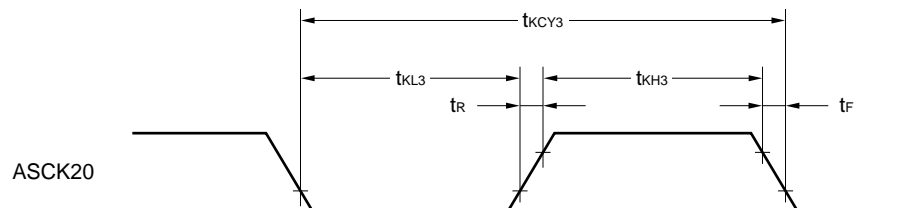
3-wire serial I/O mode:



3-wire serial I/O mode (when $\overline{\text{SS20}}$ is used):



UART mode (external clock input):



10-Bit A/D Converter Characteristics

($T_A = -40$ to $+85^\circ\text{C}$, $A_{V_{DD}} = V_{DD} = 1.8$ to 5.5 V, $A_{V_{SS}} = V_{SS} = 0$ V)

Parameter	Symbol	Conditions	MIN.	TYP.	MAX.	Unit
Resolution			10	10	10	bit
Overall error ^{Note1,2}		$4.5\text{ V} \leq V_{DD} \leq 5.5\text{ V}$		± 0.2	± 0.4	%FSR
		$2.7\text{ V} \leq V_{DD} < 4.5\text{ V}$		± 0.4	± 0.6	%FSR
		$1.8\text{ V} \leq V_{DD} < 2.7\text{ V}$		± 0.8	± 1.2	%FSR
Conversion time	t_{CONV}	$2.7\text{ V} \leq V_{DD} \leq 5.5\text{ V}$	14		100	μs
		$1.8\text{ V} \leq V_{DD} < 2.7\text{ V}$	28		100	μs
Zero-scale error ^{Note1,2}		$4.5\text{ V} \leq V_{DD} \leq 5.5\text{ V}$			± 0.4	%FSR
		$2.7\text{ V} \leq V_{DD} < 4.5\text{ V}$			± 0.6	%FSR
		$1.8\text{ V} \leq V_{DD} < 2.7\text{ V}$			± 1.2	%FSR
Full-scale error ^{Note1,2}		$4.5\text{ V} \leq V_{DD} \leq 5.5\text{ V}$			± 0.4	%FSR
		$2.7\text{ V} \leq V_{DD} < 4.5\text{ V}$			± 0.6	%FSR
		$1.8\text{ V} \leq V_{DD} < 2.7\text{ V}$			± 1.2	%FSR
Integral linearity error ^{Note1}	ILE	$4.5\text{ V} \leq V_{DD} \leq 5.5\text{ V}$			± 2.5	LSB
		$2.7\text{ V} \leq V_{DD} < 4.5\text{ V}$			± 4.5	LSB
		$1.8\text{ V} \leq V_{DD} < 2.7\text{ V}$			± 8.5	LSB
Differential linearity error ^{Note1}	DLE	$4.5\text{ V} \leq V_{DD} \leq 5.5\text{ V}$			± 1.5	LSB
		$2.7\text{ V} \leq V_{DD} < 4.5\text{ V}$			± 2.0	LSB
		$1.8\text{ V} \leq V_{DD} < 2.7\text{ V}$			± 3.5	LSB
Analog input voltage	V_{IAN}		0		$A_{V_{DD}}$	V

- Notes**
1. Excludes quantization error ($\pm 0.05\%$ FSR).
 2. It is indicated as a ratio to the full-scale value (%FSR).

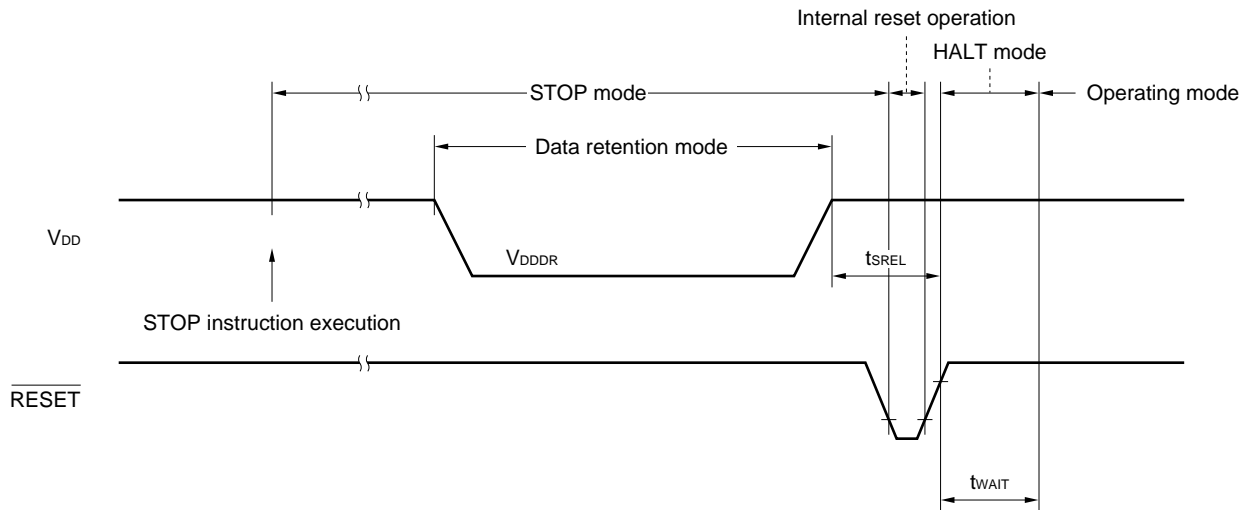
Data Memory STOP Mode Low Supply Voltage Data Retention Characteristics (T_A = -40 to +85°C)

Parameter	Symbol	Conditions	MIN.	TYP.	MAX.	Unit
Data retention supply voltage	V _{DDDR}		1.8		5.5	V
Release signal set time	t _{SREL}		0			μs
Oscillation stabilization wait time ^{Note}	t _{WAIT}	Release by $\overline{\text{RESET}}$		2 ⁷ /f _{cc}		ms
		Release by interrupt request		2 ⁷ /f _{cc}		ms

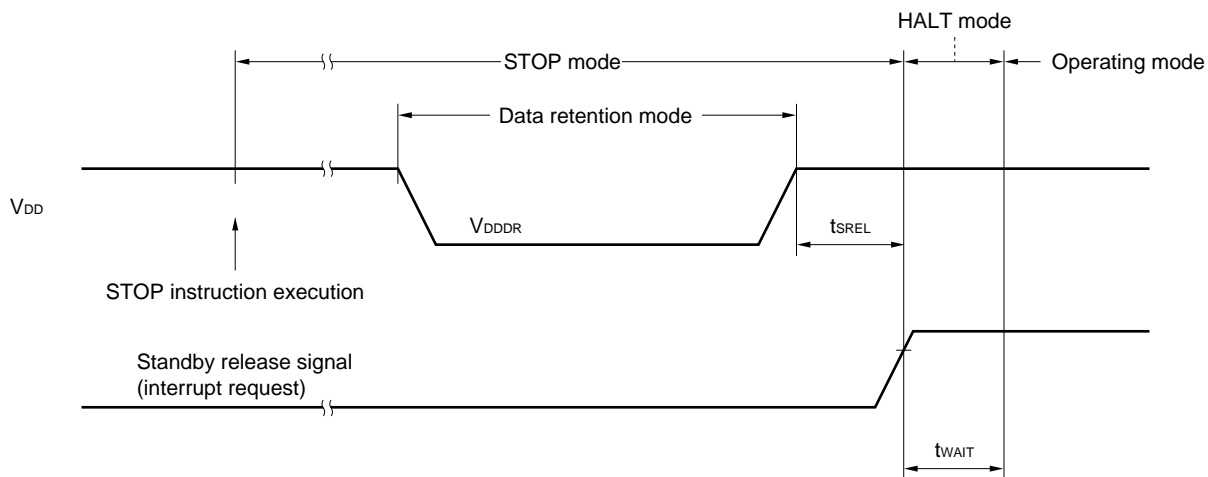
Note The oscillation stabilization wait time is the period during which the CPU operation is stopped to avoid unstable operation at the beginning of oscillation.

Remark f_{cc}: System clock oscillation frequency

Data Retention Timing (STOP mode release by $\overline{\text{RESET}}$)

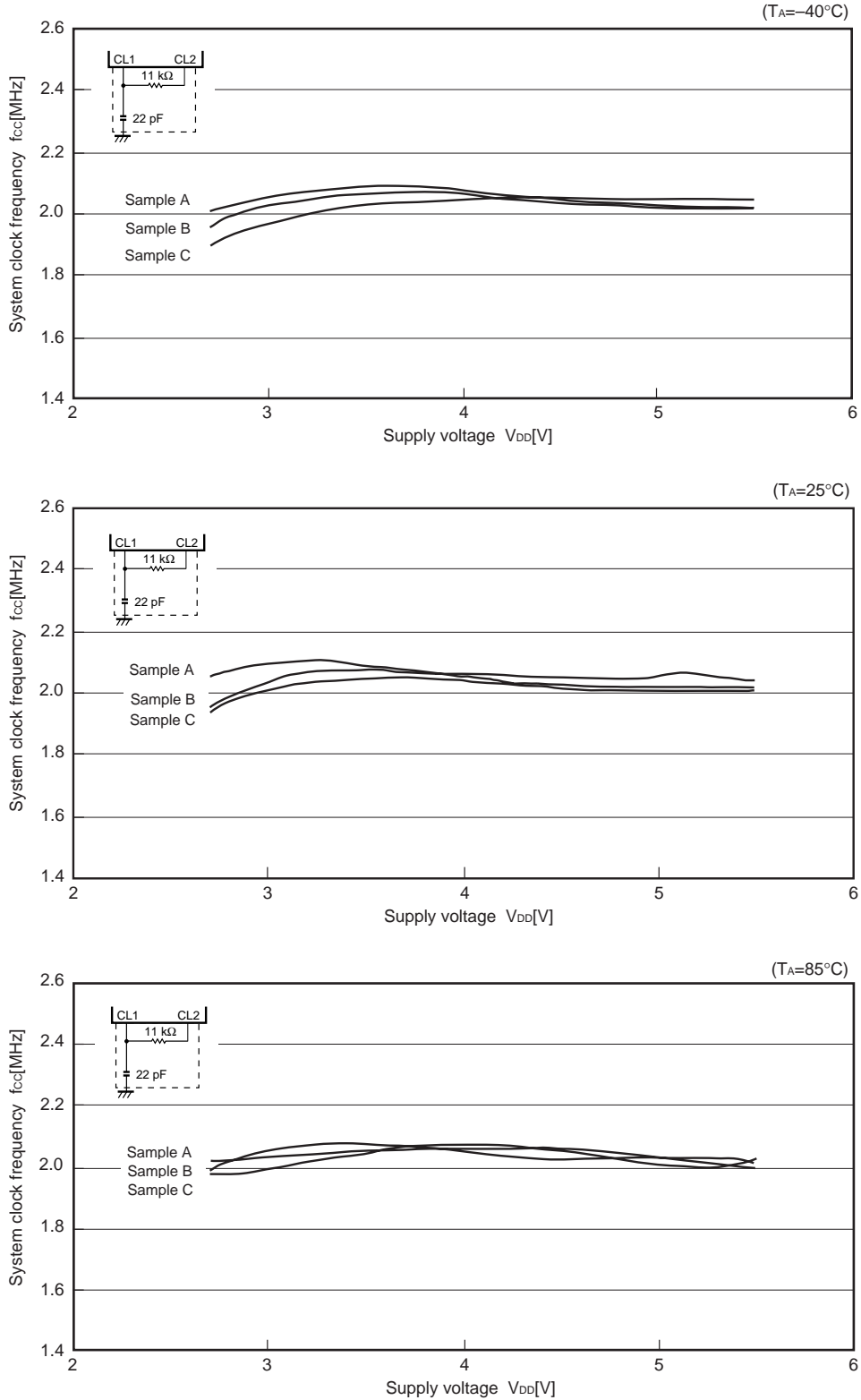


Data Retention Timing (Standby release signal: STOP mode release by interrupt signal)

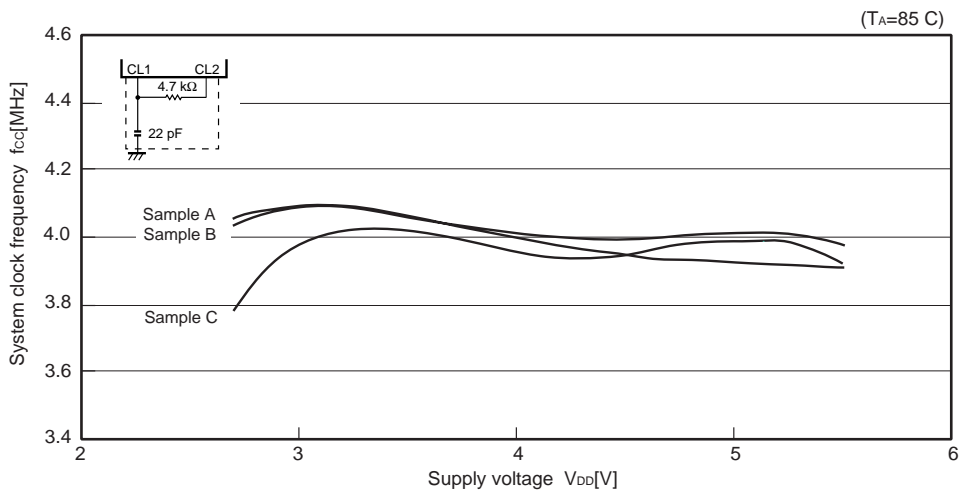
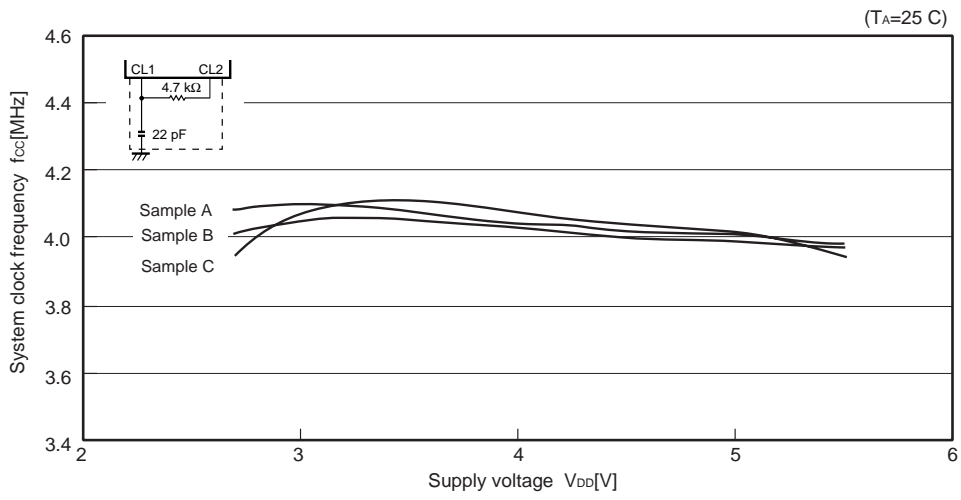
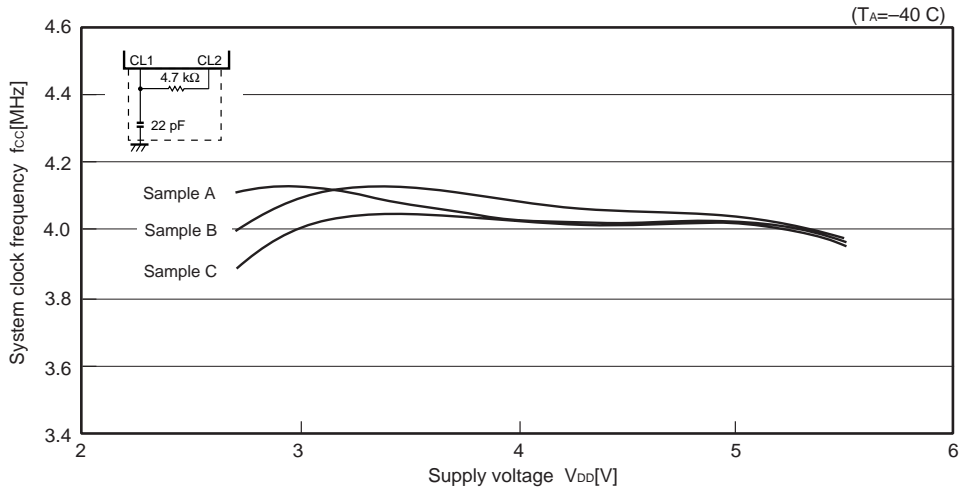


9. EXAMPLE OF RC OSCILLATOR FREQUENCY CHARACTERISTICS (REFERENCE VALUES)

f_{cc} vs V_{DD} (RC Oscillation, R = 11 kΩ, C = 22 pF)

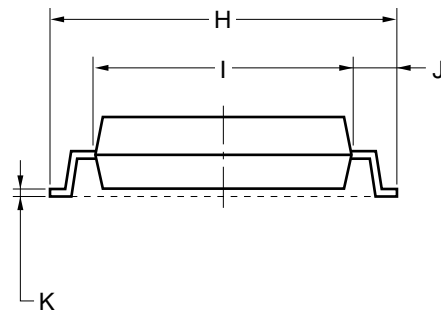
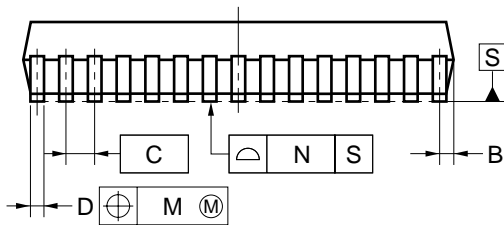
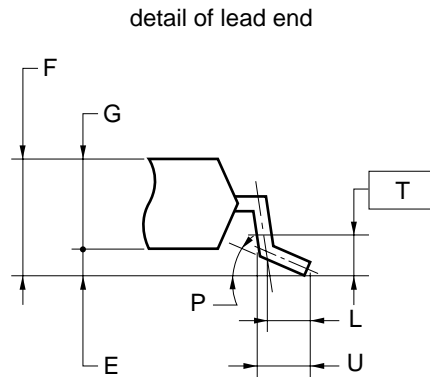
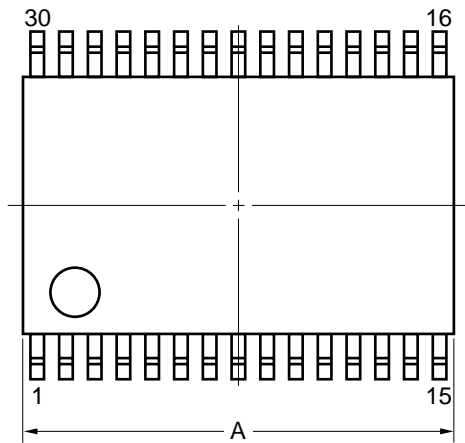


f_{cc} vs V_{DD} (RC Oscillation, $R = 4.7\text{ k}\Omega$, $C = 22\text{ pF}$)



10. PACKAGE DRAWING

30-PIN PLASTIC SSOP (7.62 mm (300))



NOTE

Each lead centerline is located within 0.13 mm of its true position (T.P.) at maximum material condition.

ITEM	MILLIMETERS
A	9.85±0.15
B	0.45 MAX.
C	0.65 (T.P.)
D	0.24 ^{+0.08} _{-0.07}
E	0.1±0.05
F	1.3±0.1
G	1.2
H	8.1±0.2
I	6.1±0.2
J	1.0±0.2
K	0.17±0.03
L	0.5
M	0.13
N	0.10
P	3° ^{+5°} _{-3°}
T	0.25
U	0.6±0.15

S30MC-65-5A4-2

11. RECOMMENDED SOLDERING CONDITIONS

The μPD78F9136A should be soldered and mounted under the following recommended conditions.

For the details of the recommended soldering conditions, refer to the document **Semiconductor Device Mounting Technology Manual (C10535E)**. For soldering methods and conditions other than those recommended below, contact your NEC sales representative.

Table 10-1. Surface Mounting Type Soldering Conditions

μPD78F9136AMC-5A4: 30-pin plastic SSOP (7.62 mm (300))

Soldering Method	Soldering Conditions	Recommended Condition Symbol
Infrared reflow	Package peak temperature: 235°C, Reflow time: 30 seconds or below (at 210°C or higher), Number of reflow processes : 3 max., Exposure limit : 7days ^{Note} (after that, prebaking is necessary at 125°C for 10 hours)	IR35-107-3
VPS	Package peak temperature: 215°C, Reflow time: 40 seconds or below (at 200°C or higher), Number of reflow processes : 3 max., Exposure limit : 7days ^{Note} (after that, prebaking is necessary at 125°C for 10 hours)	VP15-107-3
Wave soldering	Solder bath temperature: 260°C or below, Flow time: 10 seconds or below, Number of flow processes: 1 Preheating temperature: 120°C or below (package surface temperature), Exposure limit : 7days ^{Note} (after that, prebaking is necessary at 125°C for 10 hours)	WS60-107-1
Partial heating	Pin temperature: 300°C Max., Time: 3 sec. Max. (per pin row)	—

Note After opening the dry pack, store it at 25°C or less and 65% RH or less for the allowable storage period.

Caution Do not use different soldering methods together (except for partial heating).

APPENDIX A DEVELOPMENT TOOLS

The following development tools are available for system development using the μPD78F9116A.

Language Processing Software

RA78K0S ^{Notes 1, 2, 3}	Assembler package common to 78K/0S Series
CC78K0S ^{Notes 1, 2, 3}	C compiler package common to 78K/0S Series
DF789136 ^{Notes 1, 2, 3}	Device file for μPD78F9136A

Flash Memory Writing Tools

Flashpro III (Model number: FL-PR3 ^{Note 4} , PG-FP3)	Dedicated flash programmer for on-chip flash memory
FA-30MC ^{Note 4}	Flash memory writing adapter

Debugging Tools (1/2)

IE-78K0S-NS In-circuit emulator	In-circuit emulator serves to debug hardware and software when developing application systems using a 78K/0S Series product. It supports the ID78K0S-NS integrated debugger. Used in combination with an AC adapter, emulation probe, and interface adapter connecting to the host machine.
IE-70000-MC-PS-B AC adapter	Adapter used to supply power from a power outlet of 100 V AC to 240 V AC.
IE-70000-98-IF-C Interface adapter	Adapter when PC-9800 series PC (except notebook type) is used as the IE-78K0S-NS host machine (C bus supported).
IE-70000-CD-IF-A PC card interface	PC card and interface cable when notebook PC is used as the IE-78K0S-NS host machine (PCMCIA socket supported).
IE-70000-PC-IF-C Interface adapter	Adapter when using an IBM PC/AT™ or compatible as the IE-78K0S-NS host machine.
IE-70000-PCI-IF Interface adapter	Adapter when using PC that includes a PCI bus as the IE-78K0S-NS host machine.
IE-789136-NS-EM1 Emulation board	Board for emulation of the peripheral hardware peculiar to a device. Used in combination with an in-circuit emulator.
NP-36GS ^{Note 4}	Board used to connect the in-circuit emulator to the target system. For a 30-pin plastic SSOP (MC-5A4 type), used in combination with NGS-30.
NGS-30 ^{Note 4} Conversion socket	Conversion socket used to connect the NP-36GS to the target system board designed to mount a 30-pin plastic SSOP (MC-5A4 type).

- Notes**
1. PC-9800 series (Japanese Windows™) based
 2. IBM PC/AT or compatibles (Japanese/English Windows) based
 3. HP9000 series 700™ (HP-UX™), SPARCstation™ (SunOS™, Solaris™), or NEWS™ (NEWS-OST™) based.
 4. Products made by Naito Densai Machida Mfg. Co., Ltd. (Phone: +81-44-822-3813).

Remark RA78K0S, CC78K0S, and SM78K0S are used in combination with the DF789136.

Debugging Tools (2/2)

SM78K0S ^{Notes 1, 2}	System simulator common to 78K/0S Series
ID78K0S-NS ^{Notes 1, 2}	Integrated debugger common to 78K/0S Series
DF789136 ^{Notes 1, 2}	Device file for μ PD78F9136A

Real-time OS

MX78K0S ^{Notes 1, 2}	OS for 78K/0S Series
-------------------------------	----------------------

- Notes**
1. PC-9800 series (Japanese Windows) based.
 2. IBM PC/AT or compatibles (Japanese/English Windows) based.

APPENDIX B RELATED DOCUMENTS

The related documents indicated in this publication may include preliminary versions. However, preliminary versions are not marked as such.

Documents Related to Devices

Document Name	Document No.	
	Japanese	English
μPD789121A, 122A, 124A, 131A, 132A, 134A, 121A(A), 122A(A), 124A(A), 131A(A), 132A(A), 134A(A) Data Sheet	U14678J	U14678E
μPD78F9136A Data Sheet	U14690J	This manual
μPD789104A, 789114A, 789124A, 789134A Subseries User's Manual	U14643J	To be prepared
78K/0S Series User's Manual Instruction	U11047J	U11047E
78K/0, 78K/0S Series Application Note Flash Memory Write	U14458J	U14458E

Documents Related to Development Tools (User's Manuals)

Document Name		Document No.	
		Japanese	English
RA78K0S Assembler Package	Operation	U11622J	U11622E
	Assembly Language	U11599J	U11599E
	Structured Assembly Language	U11623J	U11623E
CC78K0S C Compiler	Operation	U11816J	U11816E
	Language	U11817J	U11817E
SM78K0S System Simulator Windows Based	Reference	U11489J	U11489E
SM78K Series System Simulator	External Parts User Open Interface Specifications	U10092J	U10092E
ID78K0S-NS Integrated Debugger Windows Based	Reference	U12901J	U12901E
IE-78K0S-NS In-circuit Emulator		U13549J	U13549E
IE-789136-NS-EM1 Emulation Board		U14363J	U14363E

Documents Related to Embedded Software (User's Manuals)

Document Name		Document No.	
		Japanese	English
78K/0S Series OS MX78K0S	Fundamental	U12938J	U12938E

Caution The related documents listed above are subject to change without notice. Be sure to use the latest version of each document for designing.

Other Related Documents

Document Name	Document No.	
	Japanese	English
SEMICONDUCTORS SELECTION GUIDE Products & Packages (CD-ROM)	X13769X	
Semiconductor Device Mounting Technology Manual	C10535J	C10535E
Quality Grades on NEC Semiconductor Devices	C11531J	C11531E
NEC Semiconductor Device Reliability/Quality Control System	C10983J	C10983E
Guide to Prevent Damage for Semiconductor Devices by Electrostatic Discharge (ESD)	C11892J	C11892E
Guide to Microcomputer-Related Products by Third Party	U11416J	–

Caution The related documents listed above are subject to change without notice. Be sure to use the latest version of each document for designing.

[MEMO]

NOTES FOR CMOS DEVICES**① PRECAUTION AGAINST ESD FOR SEMICONDUCTORS**

Note:

Strong electric field, when exposed to a MOS device, can cause destruction of the gate oxide and ultimately degrade the device operation. Steps must be taken to stop generation of static electricity as much as possible, and quickly dissipate it once, when it has occurred. Environmental control must be adequate. When it is dry, humidifier should be used. It is recommended to avoid using insulators that easily build static electricity. Semiconductor devices must be stored and transported in an anti-static container, static shielding bag or conductive material. All test and measurement tools including work bench and floor should be grounded. The operator should be grounded using wrist strap. Semiconductor devices must not be touched with bare hands. Similar precautions need to be taken for PW boards with semiconductor devices on it.

② HANDLING OF UNUSED INPUT PINS FOR CMOS

Note:

No connection for CMOS device inputs can be cause of malfunction. If no connection is provided to the input pins, it is possible that an internal input level may be generated due to noise, etc., hence causing malfunction. CMOS devices behave differently than Bipolar or NMOS devices. Input levels of CMOS devices must be fixed high or low by using a pull-up or pull-down circuitry. Each unused pin should be connected to V_{DD} or GND with a resistor, if it is considered to have a possibility of being an output pin. All handling related to the unused pins must be judged device by device and related specifications governing the devices.

③ STATUS BEFORE INITIALIZATION OF MOS DEVICES

Note:

Power-on does not necessarily define initial status of MOS device. Production process of MOS does not define the initial operation status of the device. Immediately after the power source is turned ON, the devices with reset function have not yet been initialized. Hence, power-on does not guarantee out-pin levels, I/O settings or contents of registers. Device is not initialized until the reset signal is received. Reset operation must be executed immediately after power-on for devices having reset function.

EEPROM is a trademark of NEC Corporation.

Windows is either a registered trademark or a trademark of Microsoft Corporation in the United States and/or other countries.

PC/AT is a trademark of International Business Machines Corporation.

HP9000 series 700 and HP-UX are trademarks of Hewlett-Packard Company.

SPARCstation is a trademark of SPARC International, Inc.

Solaris and SunOS are trademarks of Sun Microsystems, Inc.

NEWS and NEWS-OS are trademarks of SONY Corporation.

Regional Information

Some information contained in this document may vary from country to country. Before using any NEC product in your application, please contact the NEC office in your country to obtain a list of authorized representatives and distributors. They will verify:

- Device availability
- Ordering information
- Product release schedule
- Availability of related technical literature
- Development environment specifications (for example, specifications for third-party tools and components, host computers, power plugs, AC supply voltages, and so forth)
- Network requirements

In addition, trademarks, registered trademarks, export restrictions, and other legal issues may also vary from country to country.

NEC Electronics Inc. (U.S.)

Santa Clara, California
Tel: 408-588-6000
800-366-9782
Fax: 408-588-6130
800-729-9288

NEC Electronics (Germany) GmbH

Duesseldorf, Germany
Tel: 0211-65 03 02
Fax: 0211-65 03 490

NEC Electronics (UK) Ltd.

Milton Keynes, UK
Tel: 01908-691-133
Fax: 01908-670-290

NEC Electronics Italiana s.r.l.

Milano, Italy
Tel: 02-66 75 41
Fax: 02-66 75 42 99

NEC Electronics (Germany) GmbH

Benelux Office
Eindhoven, The Netherlands
Tel: 040-2445845
Fax: 040-2444580

NEC Electronics (France) S.A.

Velizy-Villacoublay, France
Tel: 01-30-67 58 00
Fax: 01-30-67 58 99

NEC Electronics (France) S.A.

Spain Office
Madrid, Spain
Tel: 91-504-2787
Fax: 91-504-2860

NEC Electronics (Germany) GmbH

Scandinavia Office
Taeby, Sweden
Tel: 08-63 80 820
Fax: 08-63 80 388

NEC Electronics Hong Kong Ltd.

Hong Kong
Tel: 2886-9318
Fax: 2886-9022/9044

NEC Electronics Hong Kong Ltd.

Seoul Branch
Seoul, Korea
Tel: 02-528-0303
Fax: 02-528-4411

NEC Electronics Singapore Pte. Ltd.

United Square, Singapore 1130
Tel: 65-253-8311
Fax: 65-250-3583

NEC Electronics Taiwan Ltd.

Taipei, Taiwan
Tel: 02-2719-2377
Fax: 02-2719-5951

NEC do Brasil S.A.

Electron Devices Division
Rodovia Presidente Dutra, Km 214
07210-902-Guarulhos-SP Brasil
Tel: 55-11-6465-6810
Fax: 55-11-6465-6829

J99.1

- **The information in this document is subject to change without notice. Before using this document, please confirm that this is the latest version.**
 - No part of this document may be copied or reproduced in any form or by any means without the prior written consent of NEC Corporation. NEC Corporation assumes no responsibility for any errors which may appear in this document.
 - NEC Corporation does not assume any liability for infringement of patents, copyrights or other intellectual property rights of third parties by or arising from use of a device described herein or any other liability arising from use of such device. No license, either express, implied or otherwise, is granted under any patents, copyrights or other intellectual property rights of NEC Corporation or others.
 - Descriptions of circuits, software, and other related information in this document are provided for illustrative purposes in semiconductor product operation and application examples. The incorporation of these circuits, software, and information in the design of the customer's equipment shall be done under the full responsibility of the customer. NEC Corporation assumes no responsibility for any losses incurred by the customer or third parties arising from the use of these circuits, software, and information.
 - While NEC Corporation has been making continuous effort to enhance the reliability of its semiconductor devices, the possibility of defects cannot be eliminated entirely. To minimize risks of damage or injury to persons or property arising from a defect in an NEC semiconductor device, customers must incorporate sufficient safety measures in its design, such as redundancy, fire-containment, and anti-failure features.
 - NEC devices are classified into the following three quality grades:
"Standard", "Special", and "Specific". The Specific quality grade applies only to devices developed based on a customer designated "quality assurance program" for a specific application. The recommended applications of a device depend on its quality grade, as indicated below. Customers must check the quality grade of each device before using it in a particular application.
 - Standard: Computers, office equipment, communications equipment, test and measurement equipment, audio and visual equipment, home electronic appliances, machine tools, personal electronic equipment and industrial robots
 - Special: Transportation equipment (automobiles, trains, ships, etc.), traffic control systems, anti-disaster systems, anti-crime systems, safety equipment and medical equipment (not specifically designed for life support)
 - Specific: Aircraft, aerospace equipment, submersible repeaters, nuclear reactor control systems, life support systems or medical equipment for life support, etc.
- The quality grade of NEC devices is "Standard" unless otherwise specified in NEC's Data Sheets or Data Books. If customers intend to use NEC devices for applications other than those specified for Standard quality grade, they should contact an NEC sales representative in advance.