

# $\mu$ PD78F9116B, 78F9116B(A)

## 8-BIT SINGLE-CHIP MICROCONTROLLERS

### DESCRIPTION

The  $\mu$ PD78F9116B is a  $\mu$ PD789114A Subseries product of the 78K/0S Series.

The  $\mu$ PD78F9116B replaces the internal ROM of the  $\mu$ PD789111A, 789112A and 789114A with flash memory, which enables the writing/erasing of a program while the device is mounted on the board.

A stricter quality assurance program (called special grade in NEC's grade classification) is applied to the  $\mu$ PD78F9116B(A), compared to the  $\mu$ PD78F9116B, which are classified as standard grade.

Because flash memory allows the program to be written and erased electrically with the device mounted on the board, this product is ideal for the evaluation stages of system development, small-scale production, and rapid development of new products.

**Detailed function descriptions are provided in the following user's manuals. Be sure to read them before designing.**

**$\mu$ PD789104A, 789114A, 789124A, 789134A Subseries User's Manual: U14643E**

**78K/0S Series User's Manual Instruction: U11047E**

### FEATURES

- Pin-compatible with mask ROM version (excluding  $V_{PP}$  pin)
- Flash memory: 16 KB
- Internal high-speed RAM: 256 bytes
- On-chip multiplier: 8 bits  $\times$  8 bits = 16 bits
- Minimum instruction execution time can be changed from high-speed (0.2  $\mu$ s) to low-speed (0.8  $\mu$ s) (@ 10.0 MHz operation with system clock,  $V_{DD}$  = 4.5 to 5.5 V)
- I/O ports: 20
- Serial interface: 1 channel: Switchable between 3-wire serial I/O and UART modes
- 10-bit resolution A/D converter: 4 channels
- Timers: 3 channels
  - 16-bit timer: 1 channel
  - 8-bit timer/event counter: 1 channel
  - Watchdog timer: 1 channel
- Power supply voltage:  $V_{DD}$  = 1.8 to 5.5 V

### APPLICATIONS

Cleaners, washing machines, refrigerators and battery-charger

The information in this document is subject to change without notice. Before using this document, please confirm that this is the latest version.  
Not all devices/types available in every country. Please check with local NEC representative for availability and additional information.

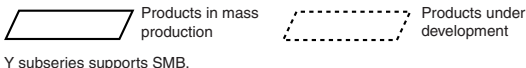
**ORDERING INFORMATION**

Part number	Package	Quality grade
μPD78F9116BMC-5A4	30-pin plastic SSOP (7.62 mm (300))	Standard
μPD78F9116BMC(A)-5A4	30-pin plastic SSOP (7.62 mm (300))	Special

Please refer to "Quality Grades on NEC Semiconductor Devices" (Document No. C11531E) published by NEC Corporation to know the specification of quality grade on the devices and its recommended applications.

78K/0S SERIES LINEUP

The products in the 78K/0S Series are listed below. The names enclosed in boxes are subseries names.



Pin Count	Subseries Name	Product Status	Features
Small-scale package, general-purpose applications			
44-pin	μPD789046	Mass Production	μPD789074 with subsystem clock added
42-/44-pin	μPD789026	Mass Production	μPD789014 with enhanced timer function and expanded ROM and RAM
30-pin	μPD789088	Mass Production	μPD789074 with enhanced timer function and expanded ROM and RAM
30-pin	μPD789074	Mass Production	μPD789026 with enhanced timer function
28-pin	μPD789014	Mass Production	On-chip UART and capable of low-voltage (1.8 V) operation
20-pin	μPD789062	Under Development	RC oscillation version of μPD789052
20-pin	μPD789052	Under Development	μPD789860 without EEPROM™, POC, and LVI
Small-scale package, general-purpose applications and A/D function			
44-pin	μPD789177	Mass Production	μPD789167 with 10-bit A/D
44-pin	μPD789167	Mass Production	μPD789104A with enhanced timer
30-pin	μPD789156	Mass Production	μPD789146 with 10-bit A/D
30-pin	μPD789146	Mass Production	μPD789104A with EEPROM added
30-pin	μPD789134A	Mass Production	μPD789124A with 10-bit A/D
30-pin	μPD789124A	Mass Production	RC oscillation version of μPD789104A
30-pin	μPD789114A	Mass Production	μPD789104A with 10-bit A/D
30-pin	μPD789104A	Mass Production	μPD789026 with 8-bit A/D and multiplier added
LCD drive			
144-pin	μPD789835	Under Development	UART + 8-bit A/D + dot LCD (total display outputs: 96)
88-pin	μPD789830	Under Development	UART + dot LCD (40 × 16)
80-pin	μPD789488	Mass Production	SIO + 10-bit A/D + internal voltage boosting method LCD (28 × 4)
80-pin	μPD789478	Mass Production	SIO + 8-bit A/D + resistance division method LCD (28 × 4)
80-pin	μPD789417A	Mass Production	μPD789407A with 10-bit A/D
80-pin	μPD789407A	Mass Production	SIO + 8-bit A/D + resistance division method LCD (28 × 4)
64-pin	μPD789456	Mass Production	μPD789446 with 10-bit A/D
64-pin	μPD789446	Mass Production	SIO + 8-bit A/D + internal voltage boosting method LCD (15 × 4)
64-pin	μPD789436	Mass Production	μPD789426 with 10-bit A/D
64-pin	μPD789426	Mass Production	SIO + 8-bit A/D + internal voltage boosting method LCD (5 × 4)
64-pin	μPD789316	Mass Production	RC oscillation version of μPD789306
64-pin	μPD789306	Mass Production	SIO + internal voltage boosting method LCD (24 × 4)
52-pin	μPD789467	Mass Production	8-bit A/D + internal voltage boosting method LCD (23 × 4)
52-pin	μPD789327	Mass Production	SIO + resistance division method LCD (24 × 4)
USB			
64-pin	μPD789803	Under Development	For PC keyboard. On-chip USB HUB function
44-pin	μPD789800	Under Development	For PC keyboard. On-chip USB function
Inverter control			
44-pin	μPD789842	Mass Production	On-chip inverter controller and UART
On-chip bus controller			
30-pin	μPD789850	Mass Production	On-chip CAN controller
Keyless entry			
30-pin	μPD789862	Under Development	μPD789860 with enhanced timer function, added SIO, and expanded ROM and RAM
20-pin	μPD789861	Under Development	RC oscillation version of μPD789860
20-pin	μPD789860	Under Development	On-chip POC and key return circuit
VFD drive			
52-pin	μPD789871	Mass Production	On-chip VFD controller (total display outputs: 25)
Meter control			
64-pin	μPD789881	Under Development	UART + resistance division method LCD (26 × 4)

**Remark** VFD (Vacuum Fluorescent Display) is referred to as FIP™ (Fluorescent Indicator Panel) in some documents, but the functions of the two are the same.

The major functional differences among the subseries are listed below.

**Series for General-Purpose and LCD Drive**

Function Subseries Name		ROM Capacity (Bytes)	Timer				8-Bit A/D	10-Bit A/D	Serial Interface	I/O	V <sub>DD</sub>	Remarks
			8-Bit	16-Bit	Watch	WDT					MIN.Value	
Small-scale package, general-purpose applications	μPD789046	16 K	1 ch	1 ch	1 ch	1 ch	–	–	1 ch (UART: 1ch)	34	1.8 V	–
	μPD789026	4 K to 16 K										
	μPD789088	16 K to 32 K	3 ch							24		
	μPD789074	2 K to 8 K	1 ch									
	μPD789014	2 K to 4 K	2 ch	–						22		
	μPD789062	4 K							–	14		RC-oscillation version
	μPD789052											–
Small-scale package, general-purpose applications + A/D converter	μPD789177	16 K to 24 K	3 ch	1 ch	1 ch	1ch	–	8 ch	1 ch (UART: 1ch)	31	1.8 V	–
	μPD789167						8 ch	–				
	μPD789156	8 K to 16 K	1 ch		–		–	4 ch		20		On-chip EEPROM
	μPD789146						4 ch	–				
	μPD789134A	2 K to 8 K					–	4 ch				RC-oscillation version
	μPD789124A						4 ch	–				
	μPD789114A						–	4 ch				–
μPD789104A						4 ch	–					
LCD drive	μPD789835	24 K to 60 K	6 ch	–	1 ch	1 ch	3 ch	–	1 ch (UART: 1ch)	37	1.8 V <sup>Note</sup>	Dot LCD supported
	μPD789830	24 K	1 ch	1 ch			–			30	2.7 V	
	μPD789488	32 K	3 ch					8 ch	2 ch (UART: 1ch)	45	1.8 V	–
	μPD789478	24 K to 32 K					8 ch	–				
	μPD789417A	12 K to 24 K					–	7 ch	1 ch (UART: 1ch)	43		
	μPD789407A						7 ch	–				
	μPD789456	12 K to 16 K	2 ch				–	6 ch		30		
	μPD789446						6 ch	–				
	μPD789436						–	6 ch		40		
	μPD789426						6 ch	–				
	μPD789316	8 K to 16 K					–		2 ch (UART: 1ch)	23		RC-oscillation version
	μPD789306											–
	μPD789467	4 K to 24 K		–			1 ch		–	18		
μPD789327						–		1 ch	21			

**Note** Flash memory version: 3.0 V

Series for ASSP

Function Subseries Name		ROM Capacity (Bytes)	Timer				8-Bit A/D	10-Bit A/D	Serial Interface	I/O	V <sub>DD</sub>	Remarks
			8-Bit	16-Bit	Watch	WDT					MIN. Value	
USB	μPD789803	8 K to 16 K	2 ch	-	-	1 ch	-	-	2 ch (USB: 1 ch)	41	3.6 V	-
	μPD789800	8 K								31	4.0 V	
Inverter control	μPD789842	8 K to 16 K	3 ch	<b>Note 1</b>	1 ch	1 ch	8 ch	-	1 ch (UART: 1 ch)	30	4.0 V	-
On-chip bus controller	μPD789850	16 K	1 ch	1 ch	-	1 ch	4 ch	-	2 ch (UART: 1 ch)	18	4.0 V	-
Keyless entry	μPD789861	4 K	2 ch	-	-	1 ch	-	-	-	14	1.8 V	RC-oscillation version, on-chip EEPROM
	μPD789860											On-chip EEPROM
	μPD789862	16 K	1 ch	2 ch			1 ch (UART: 1 ch)	22				
VFD drive	μPD789871	4 K to 8 K	3 ch	-	1 ch	1 ch	-	-	1 ch	33	2.7 V	-
Meter control	μPD789881	16 K	2 ch	1 ch	-	1 ch	-	-	1 ch (UART: 1 ch)	28	2.7 V <sup>Note 2</sup>	-

- Notes** 1. 10-bit timer: 1 channel  
 2. Flash memory version: 3.0 V

OVERVIEW OF FUNCTIONS

Item		function
Internal memory	Flash memory	16 KB
	High-speed RAM	256 bytes
Minimum instruction execution time		0.2/0.8 μs (@ 10.0 MHz operation with system clock, V <sub>DD</sub> = 4.5 to 5.5 V)
General-purpose registers		8 bits × 8 registers
Instruction set		<ul style="list-style-type: none"> <li>• 16-bit operations</li> <li>• Bit manipulations (set, reset, and test)</li> </ul>
Multiplier		8 bits × 8 bits = 16 bits
I/O ports		Total: 20 <ul style="list-style-type: none"> <li>• CMOS input: 4</li> <li>• CMOS I/O: 12</li> <li>• N-ch open-drain (12 V withstand voltage): 4</li> </ul>
A/D converters		10-bit resolution × 4 channels
Serial interface		Switchable between 3-wire serial I/O and UART modes
Timer		<ul style="list-style-type: none"> <li>• 16-bit timer: 1 channel</li> <li>• 8-bit timer/event counter: 1 channel</li> <li>• Watchdog timer: 1 channel</li> </ul>
Timer output		1 output (16-bit/8-bit timer alternate function)
Vectored interrupt sources	Maskable	Internal: 6, External: 3
	Non-maskable	Internal: 1
Power supply voltage		V <sub>DD</sub> = 1.8 to 5.5 V
Operating ambient temperature		T <sub>A</sub> = -40 to +85°C
Package		30-pin plastic SSOP (7.62 mm (300))

**CONTENTS**

**1. PIN CONFIGURATION (TOP VIEW) ..... 8**

**2. BLOCK DIAGRAM..... 9**

**3. DIFFERENCES BETWEEN μPD78F9116B, 78F9116B(A), AND MASK ROM VERSIONS ..... 10**

**4. PIN FUNCTIONS ..... 11**

**4.1 Port Pins..... 11**

**4.2 Non-Port Pins..... 12**

**4.3 Pin I/O Circuits and Recommended Connection of Unused Pins ..... 13**

**5. MEMORY SPACE ..... 15**

**6. FLASH MEMORY CHARACTERISTICS ..... 16**

**6.1 Programming Environment ..... 16**

**6.2 Communication Mode ..... 17**

**6.3 On-Board Pin Processing ..... 20**

**6.4 Connection When Using Flash Memory Writing Adapter ..... 23**

**7. INSTRUCTION SET OVERVIEW ..... 26**

**7.1 Conventions..... 26**

**7.2 Operations..... 28**

**8. ELECTRICAL SPECIFICATIONS ..... 33**

**9. PACKAGE DRAWING ..... 45**

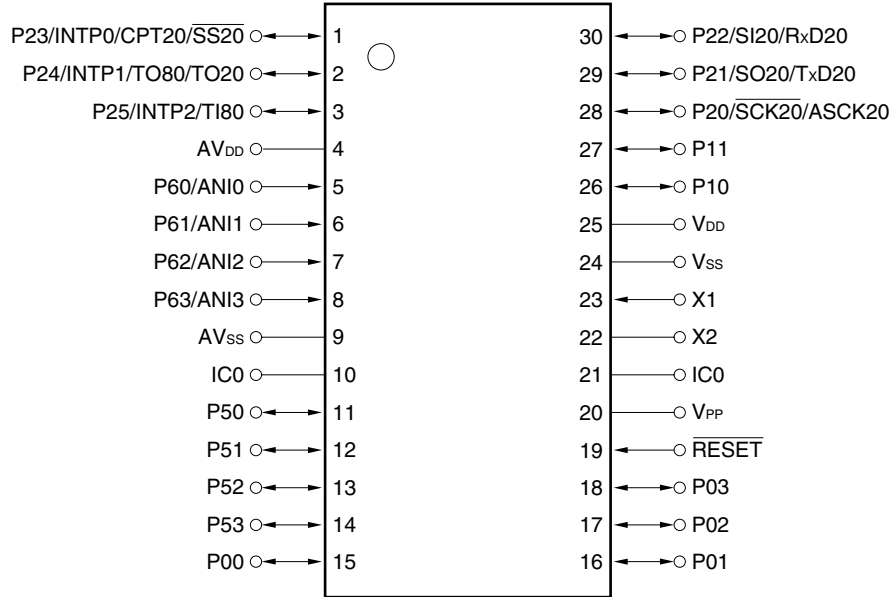
**10. RECOMMENDED SOLDERING CONDITIONS..... 46**

**APPENDIX A. DEVELOPMENT TOOLS..... 47**

**APPENDIX B. RELATED DOCUMENTS ..... 49**

1. PIN CONFIGURATION (TOP VIEW)

- 30-pin plastic SSOP (7.62 mm (300))  
 μPD78F9116BMC-5A4  
 μPD78F9116BMC(A)-5A4

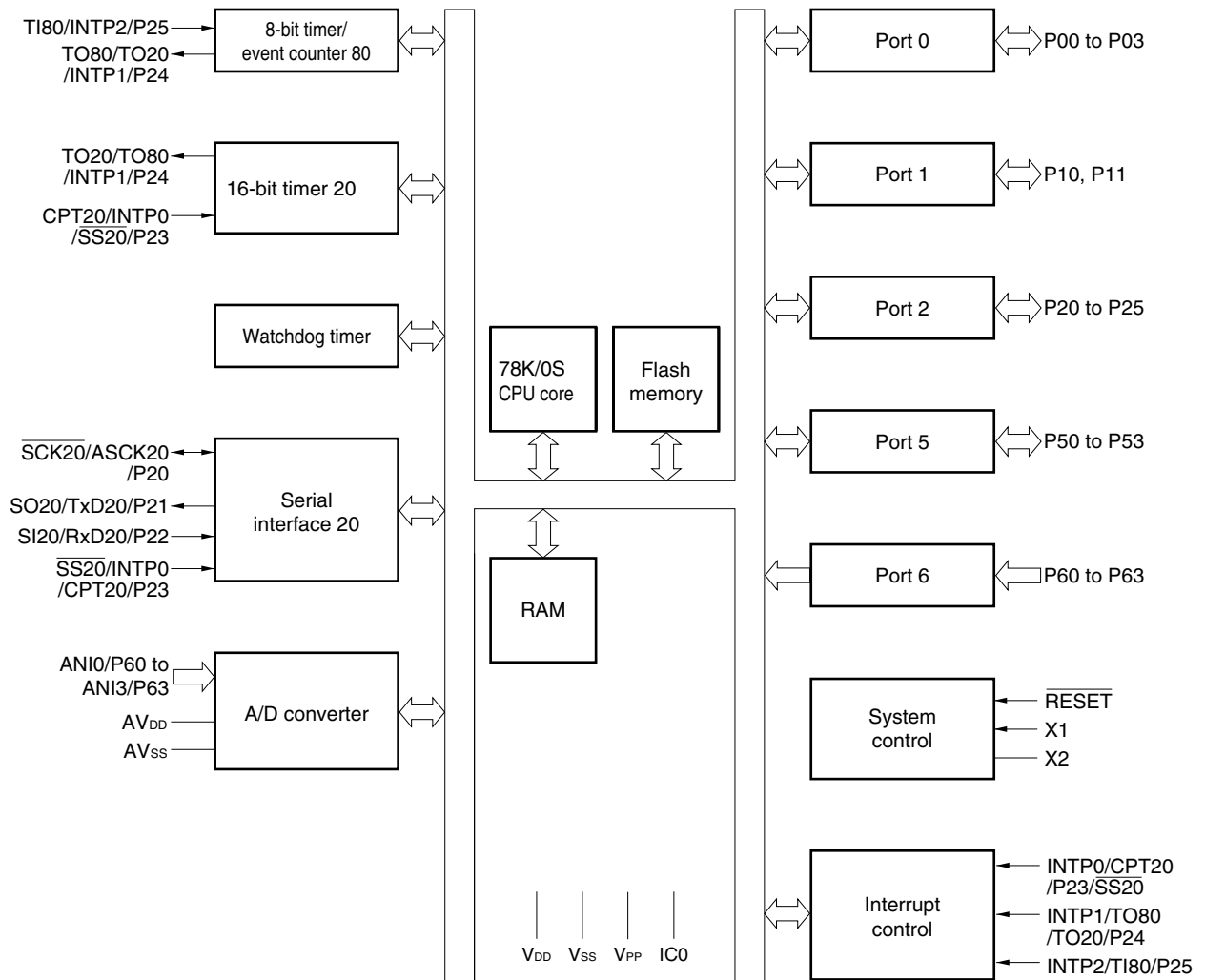


- Cautions**
1. Connect the IC0 (Internally Connected) pin directly to V<sub>SS</sub>.
  2. Connect the V<sub>PP</sub> pin directly to V<sub>SS</sub> in normal operation mode.
  3. Connect the AV<sub>DD</sub> pin to V<sub>DD</sub>.
  4. Connect the AV<sub>SS</sub> pin to V<sub>SS</sub>.

ANI0 to ANI3:	Analog input	RESET:	Reset
ASCK20:	Asynchronous serial input	RxD20:	Receive data
AV <sub>DD</sub> :	Analog power supply	SCK20:	Serial clock input/output
AV <sub>SS</sub> :	Analog ground	SI20:	Serial data input
CPT20:	Capture trigger input	SO20:	Serial data output
IC0:	Internally connected	SS20:	Chip select input
INTP0 to INTP2:	Interrupt from peripherals	TI80:	Timer input
P00 to P03:	Port0	TO20, TO80:	Timer output
P10, P11:	Port1	TxD20:	Transmit data
P20 to P25:	Port2	V <sub>DD</sub> :	Power supply
P50 to P53:	Port5	V <sub>PP</sub> :	Programming power supply
P60 to P63:	Port6	V <sub>SS</sub> :	Ground
		X1, X2:	Crystal 1, 2



2. BLOCK DIAGRAM



**3. DIFFERENCES BETWEEN μPD78F9116B, 78F9116B(A), AND MASK ROM VERSIONS**

The μPD78F9116B and 78F9116B(A) are products in which flash memory is substituted for the internal ROM of the mask ROM version. The differences between the μPD78F9116B, 78F9116B(A), and the mask ROM versions are shown in Table 3-1.

**Table 3-1. Differences Between μPD78F9116B, 78F9116B(A), and Mask ROM Versions**

Item		Flash Memory Version	Mask ROM Version		
		μPD78F9116B μPD78F9116B(A)	μPD789111A μPD789111A(A)	μPD789112A μPD789112A(A)	μPD789114A μPD789114A(A)
Internal memory	ROM	16 KB (Flash memory)	2 KB	4 KB	8 KB
	High-speed RAM	256 bytes			
Pull-up resistor		12 (software control only)	16 (software control: 12, mask option specification: 4)		
VPP pin		Provided	Not provided		
Electric characteristics		See the relevant data sheet			

**Caution** There are differences in noise immunity and noise radiation between the flash memory and mask ROM versions. When pre-producing an application set with the flash memory version and then mass-producing it with the mask ROM version, be sure to conduct sufficient evaluations for the commercial samples (not engineering samples) of the mask ROM version.

4. PIN FUNCTIONS

4.1 Port Pins

Pin Name	I/O	Function	After Reset	Alternate Function
P00 to P03	I/O	Port 0 4-bit I/O port Input/output can be specified in 1-bit units When used as an input port, connection of an on-chip pull-up resistor can be specified by software.	Input	–
P10, P11	I/O	Port 1 2-bit I/O port Input/output can be specified in 1-bit units When used as an input port, an connection of on-chip pull-up resistor can be specified by software.	Input	–
P20	I/O	Port 2 6-bit I/O port Input/output can be specified in 1-bit units When used as an input port, an connection of on-chip pull-up resistor can be specified by software.	Input	SCK20/ASCK20
P21				SO20/TxD20
P22				SI20/RxD20
P23				INTP0/CPT20 /SS20
P24				INTP1/TO80/TO20
P25				INTP2/TI80
P50 to P53	I/O	Port 5 4-bit N-ch open-drain input/output port Input/output can be specified in 1-bit units.	Input	–
P60 to P63	Input	Port 6 4-bit input-only port	Input	ANI0 to ANI3

4.2 Non-Port Pins

Pin Name	I/O	Function	After Reset	Alternate Function
INTP0	Input	External interrupt request input for which the valid edge (rising edge, falling edge, or both rising and falling edges) can be specified	Input	P23/CPT20/SS20
INTP1				P24/TO80/TO20
INTP2				P25/TI80
SI20	Input	Serial interface serial data input	Input	P22/RxD20
SO20	Output	Serial interface serial data output	Input	P21/TxD20
SCK20	I/O	Serial interface serial clock input/output	Input	P20/ASCK20
ASCK20	Input	Serial clock input for asynchronous serial interface	Input	P20/SCK20
SS20	Input	Chip select input for serial interface	Input	P23/CPT20/INTP0
RxD20	Input	Serial data input for asynchronous serial interface	Input	P22/SI20
TxD20	Output	Serial data output for asynchronous serial interface	Input	P21/SO20
TI80	Input	External count clock input to 8-bit timer/event counter 80	Input	P25/INTP2
TO80	Output	8-bit timer/event counter 80 output	Input	P24/INTP1/TO20
TO20	Output	16-bit timer 20 output	Input	P24/INTP1/TO80
CPT20	Input	Capture edge input	Input	P23/INTP0/SS20
ANI0 to ANI3	Input	A/D converter analog input	Input	P60 to P63
AV <sub>DD</sub>	-	A/D converter analog power supply	-	-
AV <sub>SS</sub>	-	A/D converter ground potential	-	-
X1	Input	Connecting crystal resonator for main system clock oscillation	-	-
X2	-		-	-
RESET	Input	System reset input	Input	-
V <sub>DD</sub>	-	Positive power supply	-	-
V <sub>SS</sub>	-	Ground potential	-	-
V <sub>PP</sub>	-	Sets flash memory programming mode. Applies high voltage when a program is written or verified.	-	-
IC0	-	Internally connected. Connect directly to V <sub>SS</sub> .	-	-

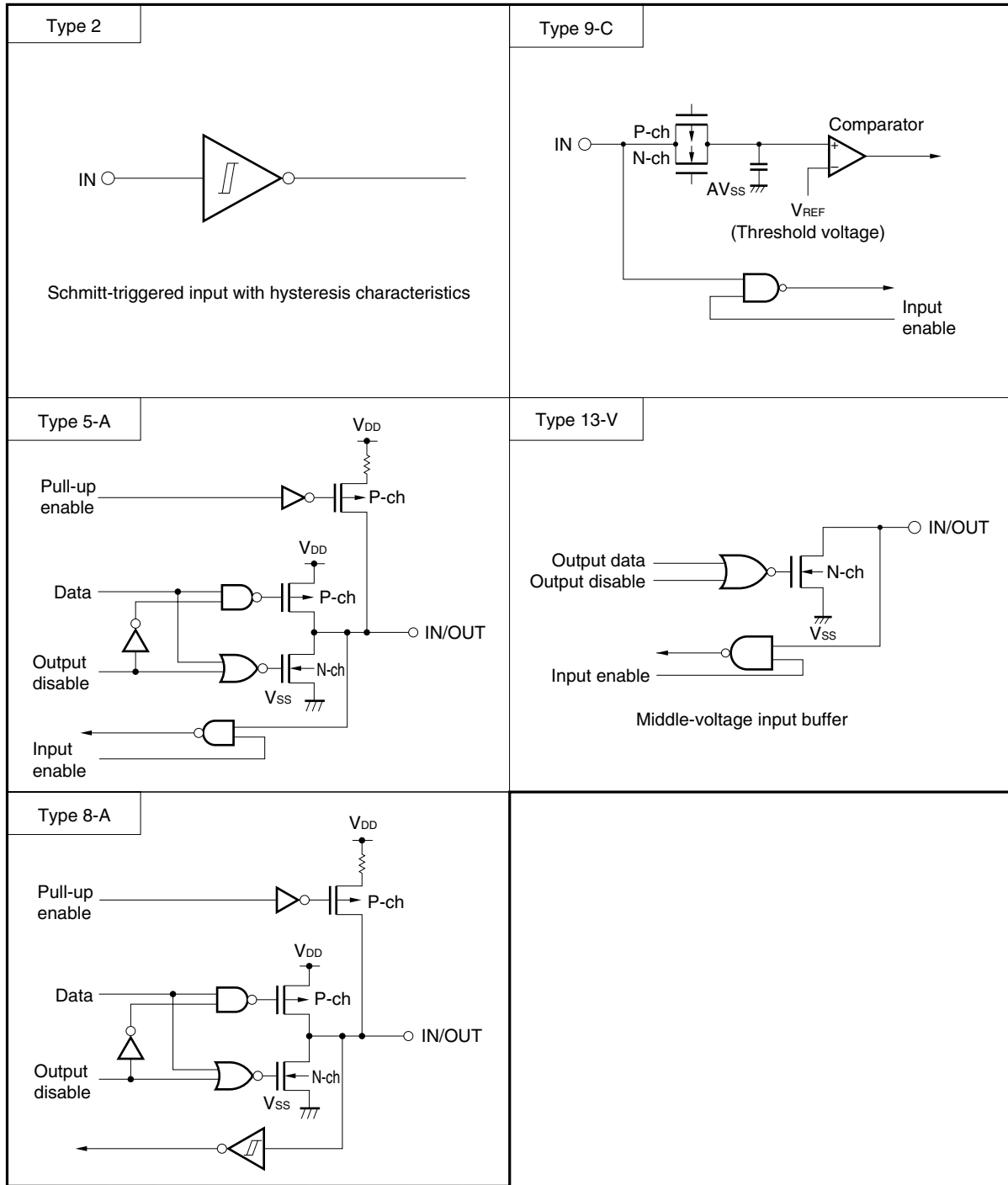
4.3 Pin I/O Circuits and Recommended Connection of Unused Pins

The input/output circuit type of each pin and recommended connection of unused pins are shown in Table 4-1. For the input/output circuit configuration of each type, refer to Figure 4-1.

Table 4-1. Types of Pin Input/Output Circuits

Pin Name	Input/Output Circuit Type	I/O	Recommended Connection of Unused Pins
P00 to P03	5-A	I/O	Input: Independently connect to V <sub>DD</sub> or V <sub>SS</sub> via a resistor. Output: Leave open
P10, P11			
P20/SCK20/ASCK20	8-A		Input: Independently connect to V <sub>SS</sub> via a resistor. Output: Leave open
P21/SO20/TxD20			
P22/SI20/RxD20			
P23/INTP0/CPT20/SS20			
P24/INTP1/TO80/TO20			
P25/INTP2/TI80			
P50 to P53	13-V		Input: Independently connect to V <sub>DD</sub> via a resistor. Output: Leave open
P60/ANI0 to P63/ANI3	9-C		Input
AV <sub>DD</sub>	–	–	Connect directly to V <sub>DD</sub> .
AV <sub>SS</sub>	–	–	Connect directly to V <sub>SS</sub> .
RESET	2	Input	–
IC0	–	–	Connect directly to V <sub>SS</sub> .
V <sub>PP</sub>	–	–	Connect a 10 kΩ pull-down resistor or connect directly to V <sub>SS</sub> .

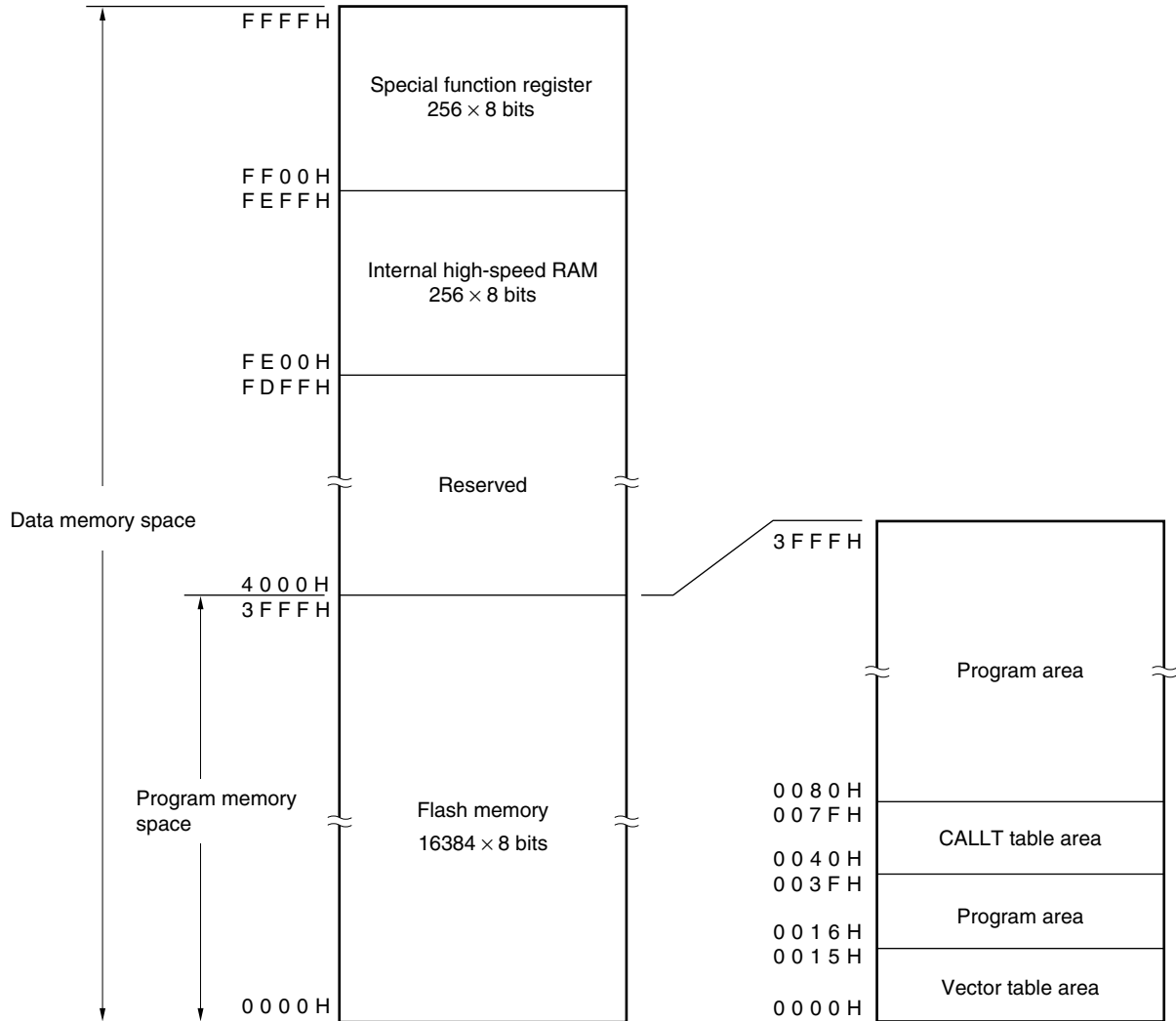
Figure 4-1. Pin I/O Circuits



5. MEMORY SPACE

Figure 5-1 shows the memory map of the μPD78F9116B and 78F9116B(A).

Figure 5-1. Memory Map



## 6. FLASH MEMORY CHARACTERISTICS

Flash memory programming is performed by connecting a dedicated flash programmer (Flashpro III (part no. FL-PR3, PG-FP3)/Flashpro IV<sup>Note</sup> (part no. FL-PR4, PG-FP4)) to the target system with the flash memory mounted on the target system (on-board). A flash memory writing adapter (program adapter), which is a target board used exclusively for programming, is also provided.

**Note** Under development

**Remark** FL-PR3, FL-PR4, and the program adapter are the products made by Naito Densai Machida Mfg. Co., Ltd. (TEL +81-45-475-4191).

Programming using flash memory has the following advantages.

- Software can be modified after the microcontroller is solder-mounted on the target system.
- Distinguishing software facilities low-quantity, varied model production
- Easy data adjustment when starting mass production

### 6.1 Programming Environment

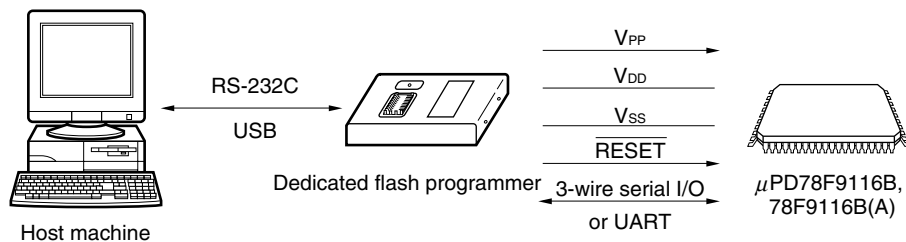
The following shows the environment required for μPD78F9116B and 78F9116B(A) flash memory programming.

When Flashpro III (part no. FL-PR3, PG-FP3) or Flashpro IV (Part no. FL-PR4, PG-FP4) is used as a dedicated flash programmer, a host machine is required to control the dedicated flash programmer. Communication between the host machine and flash programmer is performed via RS-232C/USB (Rev. 1.1).

For details, refer the manuals for Flashpro III/Flashpro IV.

**Remark** USB is supported by Flashpro IV only.

**Figure 6-1. Environment for Writing Program to Flash Memory**





6.2 Communication Mode

Use the communication mode shown in Table 6-1 to perform communication between the dedicated flash programmer and the μPD78F9116B or 78F9116B(A).

Table 6-1. Communication Mode List

Communication Mode	TYPE Setting <sup>Note 1</sup>					Pins used	Number of V <sub>PP</sub> pulses
	COMM PORT	SIO clock	CPU clock	Flash clock	Multiple rate		
3-wire serial I/O (SIO3)	SIO ch-0 (3-wire, sync.)	100 Hz to 1.25 MHz <sup>Note 2</sup>	Optional	1 to 10 MHz <sup>Note 2</sup>	1.0	SCK20/ASCK20/P20 SO20/TxD20/P21 SI20/RxD20/P22	0
	SIO ch-1 (3-wire, sync.)					P00 P01 P02	1
UART (UART0)	UART ch-0	4800 to 76800 bps <sup>Note 2,3</sup>	Optional	1 to 10 MHz <sup>Note 2</sup>		TxD20/SO20/P21 RxD20/SI20/P22	8

- Notes**
1. Selection items for TYPE settings on the dedicated flash programmer (Flashpro III (part no. FL-PR3, PG-FP3)/Flashpro IV (Part no. FL-PR4, PG-FP4)).
  2. The possible setting range differs depending on the voltage. For details, refer to **8. ELECTRICAL SPECIFICATIONS**.

**Caution** Be sure to select a communication mode depending on the number of V<sub>PP</sub> pulses shown in Table 6-1.

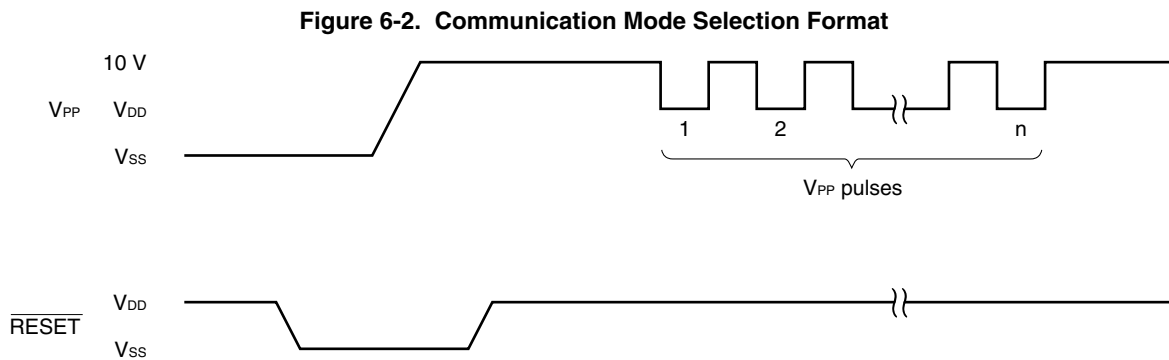
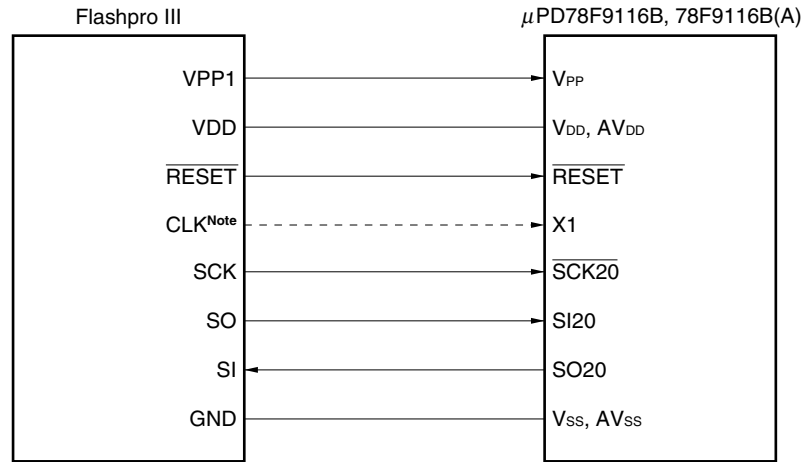
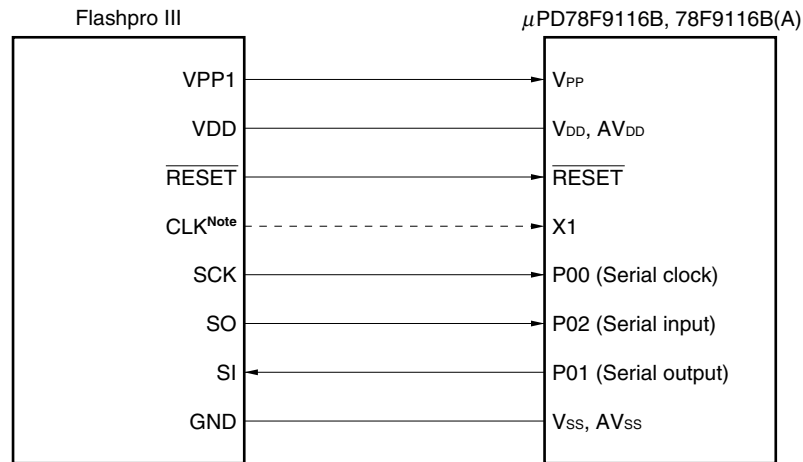


Figure 6-3. Example of Connection with Dedicated Flash Programmer

(a) 3-Wired Serial I/O Mode (SIO ch-0)



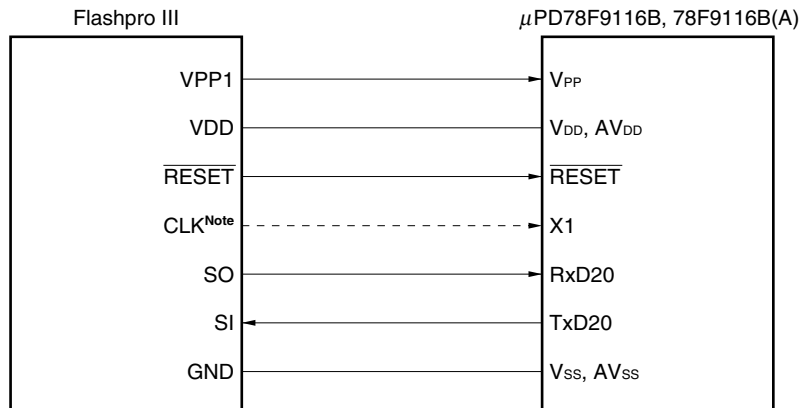
(b) 3-Wired Serial I/O Mode (SIO ch-1)



**Note** Connect this pin when the system clock is supplied by Flashpro III. When a resonator has already been connected to the X1 pin, the CLK pin does not need to be connected.

**Caution** The V<sub>DD</sub> pin, if already connected to the power supply, must be connected to the VDD pin of the dedicated flash programmer. Before using the power supply connected to the V<sub>DD</sub> pin, supply voltage before starting programming.

(c) UART Mode



**Note** Connect this pin when the system clock is supplied by Flashpro III. When a resonator has already been connected to the X1 pin, the CLK pin does not need to be connected.

**Caution** The V<sub>DD</sub> pin, if already connected to the power supply, must be connected to the V<sub>DD</sub> pin of the dedicated flash programmer. Before using the power supply connected to the V<sub>DD</sub> pin, supply voltage before starting programming.

If Flashpro III (part no. FL-PR3, PG-FP3)/Flashpro IV is used as a dedicated flash programmer, the following signals are generated for the μPD78F9116B and 78F9116B(A). For details, refer to the manual of Flashpro III/Flashpro IV.

Table 6-2. Pin Connection List

Signal Name	I/O	Pin Function	Pin Name	3-Wire Serial I/O	UART
VPP1	Output	Write voltage	V <sub>PP</sub>	⊙	⊙
VPP2	—	—	—	×	×
VDD	I/O	V <sub>DD</sub> voltage generation/voltage monitoring	V <sub>DD</sub> /AV <sub>DD</sub>	⊙ <sup>Note</sup>	⊙ <sup>Note</sup>
GND	—	Ground	V <sub>SS</sub> /AV <sub>SS</sub>	⊙	⊙
CLK	Output	Clock output	X1	○	○
RESET	Output	Reset signal	RESET	⊙	⊙
SI	Input	Reception signal	SO20/P01/TxD20	⊙	⊙
SO	Output	Transmit signal	SI20/P02/RxD20	⊙	⊙
SCK	Output	Transfer clock	SCK20/P00	⊙	×
HS	—	—	—	×	×

**Note** V<sub>DD</sub> voltage must be supplied before programming is started.

**Remark** ⊙: Pin must be connected.  
 ○: If the signal is supplied on the target board, pin need not be connected.  
 ×: Pin need not be connected.

### 6.3 On-Board Pin Processing

When performing programming on the target system, provide a connector on the target system to connect the dedicated flash programmer.

An on-board function that allows switching between normal operation mode and flash memory programming mode may be required in some cases.

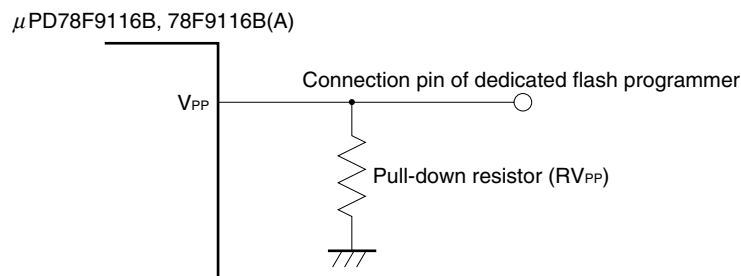
<V<sub>PP</sub> pin>

In normal operation mode, input 0 V to the V<sub>PP</sub> pin. In flash memory programming mode, a write voltage of 10.0 V (TYP.) is supplied to the V<sub>PP</sub> pin, so perform the following.

- (1) Connect a pull-down resistor (R<sub>VPP</sub> = 10 kΩ) to the V<sub>PP</sub> pin.
- (2) Use the jumper on the board to switch the V<sub>PP</sub> pin input to either the writer or directly to GND.

A V<sub>PP</sub> pin connection example is shown below.

**Figure 6-4. V<sub>PP</sub> Pin Connection Example**



<Serial interface pin>

The following shows the pins used by the serial interface.

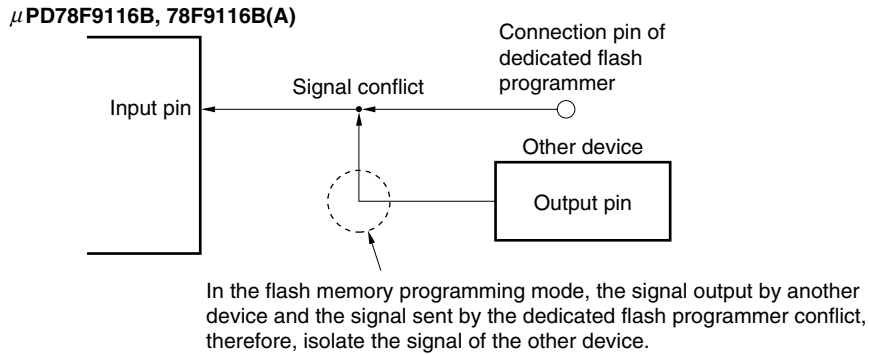
Serial Interface	Pins Used
3-wire serial I/O (SIO3)	SCK20, SO20, SI20
	P00, P01, P02
UART	TxD20, RxD20

When connecting the dedicated flash programmer a serial interface pin that is connected to another device on-board, signal conflict or abnormal operation of the other devices may occur. Care must therefore be taken with such connections.

**(1) Signal conflict**

If the dedicated flash programmer (output) is connected to a serial interface pin (input) that is connected to another device (output), a signal conflict occurs. To prevent this, isolate the connection with the other device or set the other device to the output high impedance status.

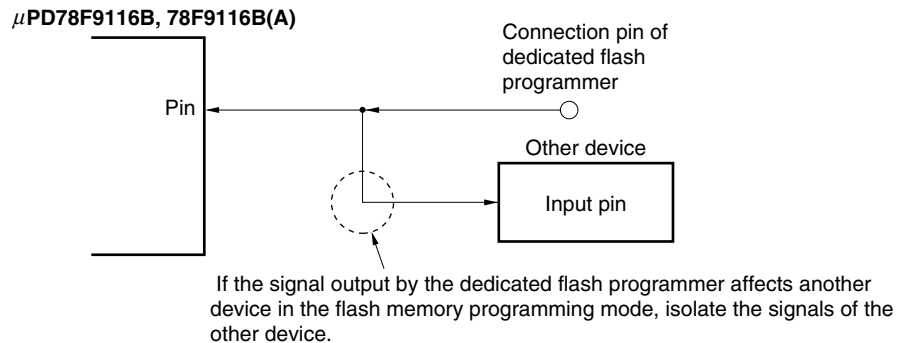
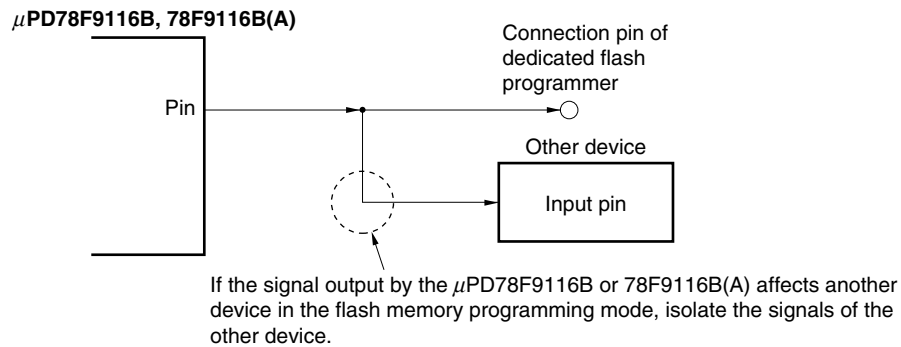
**Figure 6-5. Signal Conflict (Input Pin of Serial Interface)**



**(2) Abnormal operation of other device**

If the dedicated flash programmer (output or input) is connected to a serial interface pin (input or output) that is connected to another device (input), a signal is output to the device, and this may cause an abnormal operation. To prevent this abnormal operation, isolate the connection with the other device or set so that the input signals to the other device are ignored.

**Figure 6-6. Abnormal Operation of Other Device**

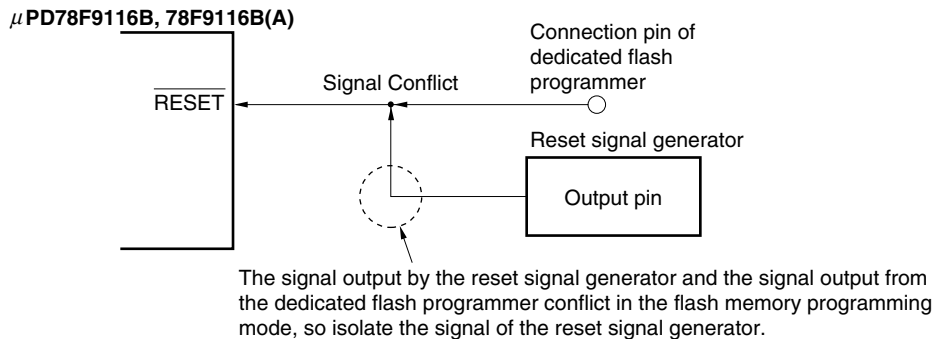


<RESET pin>

If the reset signal of the dedicated flash programmer is connected to the RESET pin connected to the reset signal generator on-board, a signal conflict occurs. To prevent this, isolate the connection with the reset signal generator.

If the reset signal is input from the user system in the flash memory programming mode, a normal programming operation cannot be performed. Therefore, do not input reset signals from other than the dedicated flash programmer.

Figure 6-7. Signal Conflict (RESET Pin)



<Port pins>

When the μPD78F9116B or 78F9116B(A) enters the flash memory programming mode, all the pins other than those that communicate in flash memory programming are in the same status as immediately after reset.

If the external device does not recognize initial statuses such as the output high impedance status, therefore, connect the external device to V<sub>DD</sub> or V<sub>SS</sub>.

<Oscillation pins>

When using the on-board clock, connect X1 and X2 as required in the normal operation mode.

When using the clock output of the flash programmer, connect it directly to X1, disconnecting the main resonator on-board, and leave the X2 pin open.

<Power supply>

When using the power supply output of the flash programmer, connect the V<sub>DD</sub> and V<sub>SS</sub> pins to VDD and GND of the flash programmer, respectively.

When using the on-board power supply, connect it as required in the normal operation mode. Because the flash programmer monitors the voltage, however, VDD of the flash programmer must be connected.

For the other power pins (AV<sub>DD</sub> and Ass), supply the same power supply as in the normal operation mode.

### 6.4 Connection When Using Flash Memory Writing Adapter

The following shows an example of the recommended connection when using the flash memory writing adapter.

**Figure 6-8. Example of Flash Memory Writing Adapter Connection When Using 3-Wire Serial I/O Mode (SIO-ch0)**

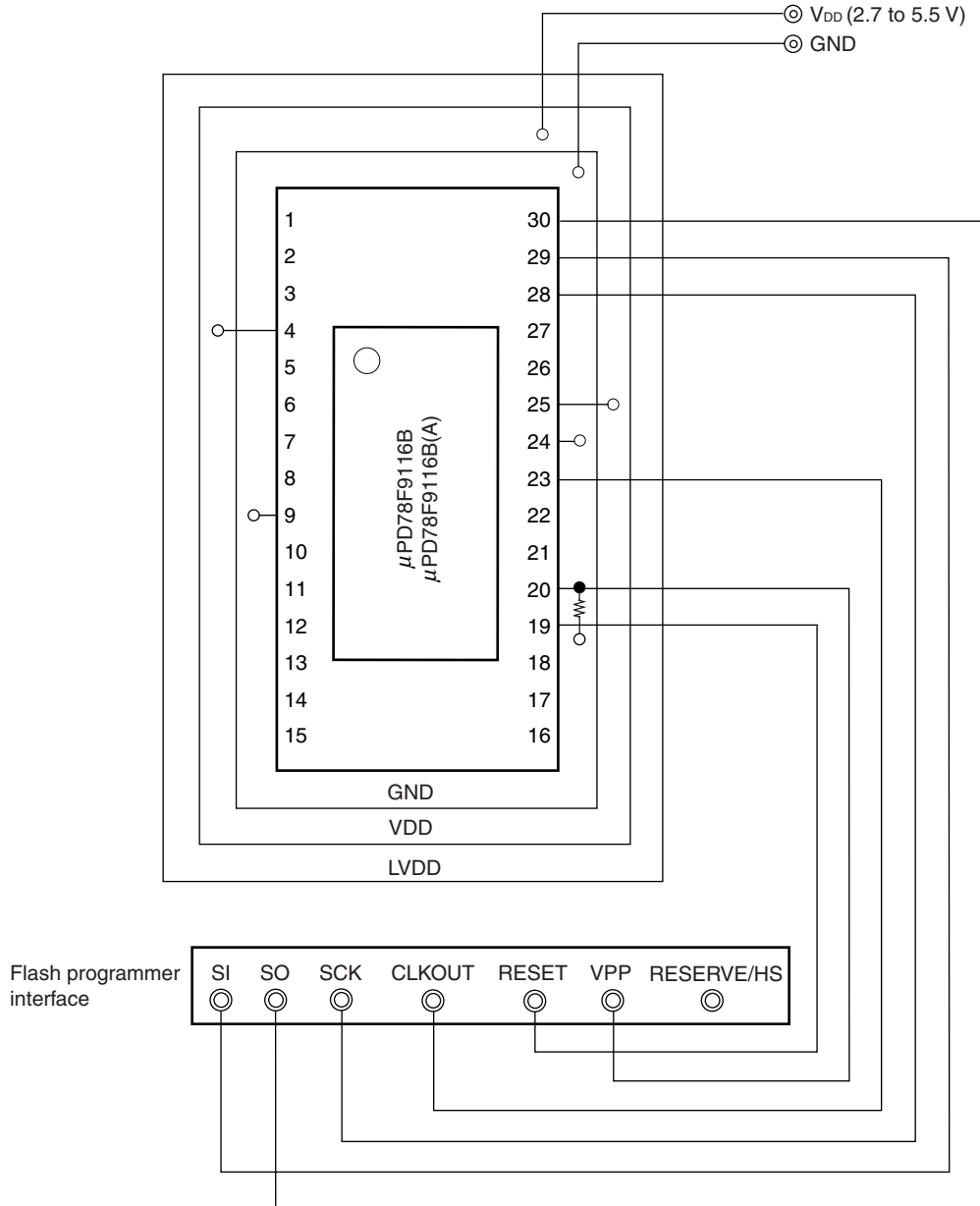


Figure 6-9. Example of Flash Memory Writing Adapter Connection When Using 3-Wire Serial I/O Mode (SIO-ch1)

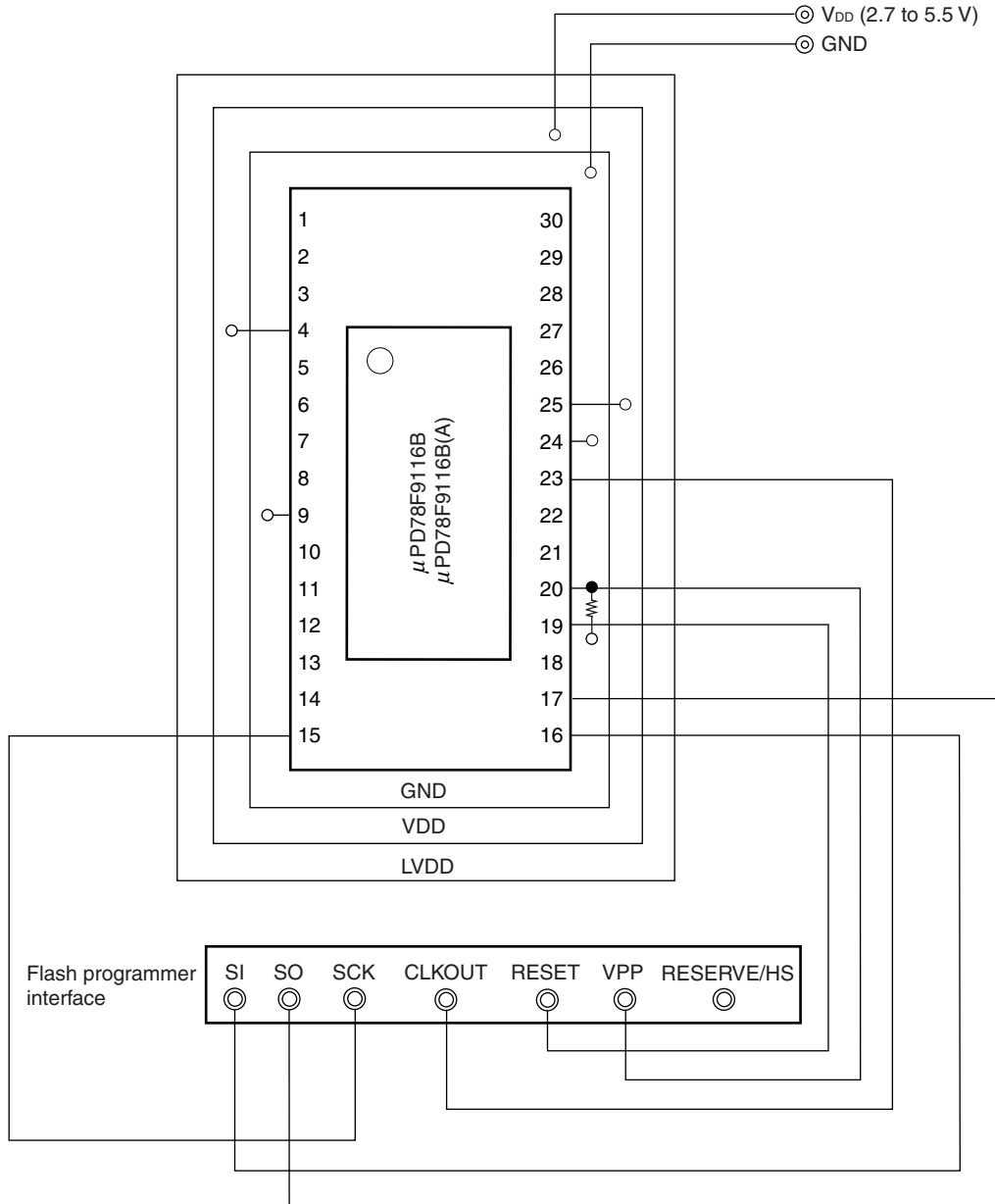
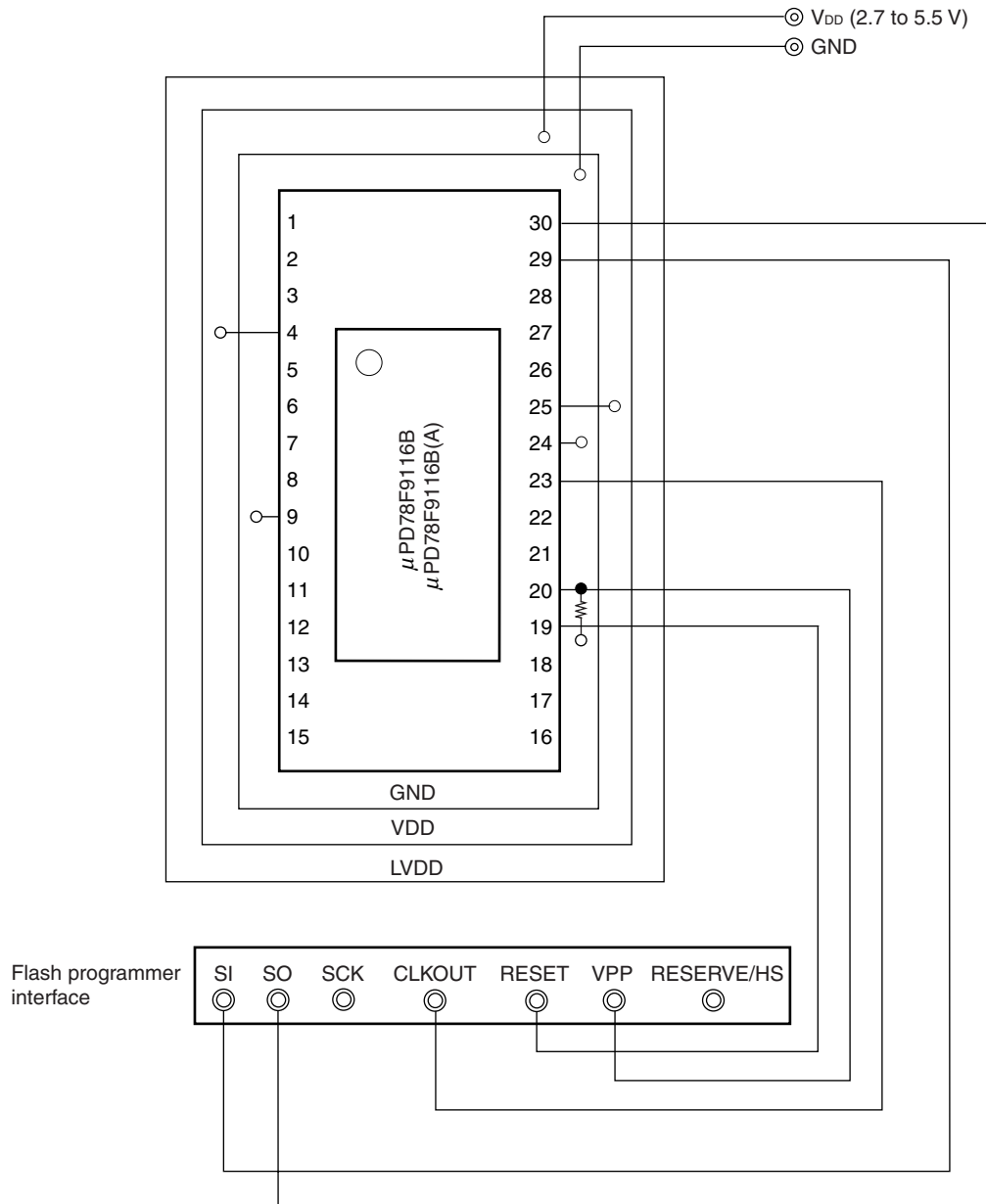




Figure 6-10. Example of Flash Memory Writing Adapter Connection When Using UART Mode



## 7. INSTRUCTION SET OVERVIEW

This section shows a list of the instruction set for the μPD78F9116B and 78F9116B(A).

### 7.1 Conventions

#### 7.1.1 Operand identifiers and description methods

Operands are described in the “Operand” column of each instruction in accordance with the description method of the instruction operand identifier (refer to the assembler specifications for detail). When there are two or more description methods, select one of them. Alphabetic letters in capitals and the symbols, #, !, \$, and [ ], are keywords and must be described as they are. Each symbol has the following meaning.

- #: Immediate data specification
- \$: Relative address specification
- !: Absolute address specification
- [ ]: Indirect address specification

In the case of immediate data, describe an appropriate numeric value or a label. When using a label, be sure to describe the #,!, \$, or [ ] symbols.

For operand register identifiers, r and rp, either function names (X, A, C, etc.) or absolute names (names in parentheses in the table below, R0, R1, R2, etc.) can be used for description.

**Table 7-1. Operand Identifiers and Description Methods**

Identifier	Description Method
r rp sfr	X (R0), A (R1), C (R2), B (R3), E (R4), D (R5), L (R6), H (R7), AX (RP0), BC (RP1), DE (RP2), HL (RP3) Special function register symbol
saddr saddrp	FE20H to FF1FH immediate data or label FE20H to FF1FH immediate data or label (even address only)
addr16 addr5	0000H to FFFFH immediate data or label (Only even addresses for 16-bit data transfer instructions) 0040H to 007FH immediate data or label (even address only)
word byte bit	16-bit immediate data or label 8-bit immediate data or label 3-bit immediate data or label

### 7.1.2 Descriptions of the operation field

A:	A register; 8-bit accumulator
X:	X register
B:	B register
C:	C register
D:	D register
E:	E register
H:	H register
L:	L register
AX:	AX register pair; 16-bit accumulator
BC:	BC register pair
DE:	DE register pair
HL:	HL register pair
PC:	Program counter
SP:	Stack pointer
PSW:	Program status word
CY:	Carry flag
AC:	Auxiliary carry flag
Z:	Zero flag
IE:	Interrupt request enable flag
NMIS:	Non-maskable interrupt servicing flag
( ):	Memory contents indicated by address or register contents in parentheses
X <sub>H</sub> , X <sub>L</sub> :	Higher 8 bits and lower 8 bits of 16-bit register
∧:	Logical product (AND)
∨:	Logical sum (OR)
⊕:	Exclusive OR
— :	Inverted data
addr16:	16-bit immediate data or label
jdisp8:	Signed 8-bit data (displacement value)

### 7.1.3 Description of the flag operation field

(Blank):	Not affected
0:	Cleared to 0
1:	Set to 1
×:	Set/cleared according to the result
R:	Previously saved value is restored

7.2 Operations

Mnemonic	Operand	Byte	Clock	Operation	Flag		
					Z	AC	CY
MOV	r, #byte	3	6	$r \leftarrow \text{byte}$			
	saddr, #byte	3	6	$(\text{saddr}) \leftarrow \text{byte}$			
	sfr, #byte	3	6	$\text{sfr} \leftarrow \text{byte}$			
	A, r <small>Note 1</small>	2	4	$A \leftarrow r$			
	r, A <small>Note 1</small>	2	4	$r \leftarrow A$			
	A, saddr	2	4	$A \leftarrow (\text{saddr})$			
	saddr, A	2	4	$(\text{saddr}) \leftarrow A$			
	A, sfr	2	4	$A \leftarrow \text{sfr}$			
	sfr, A	2	4	$\text{sfr} \leftarrow A$			
	A, !addr16	3	8	$A \leftarrow (\text{addr16})$			
	!addr16, A	3	8	$(\text{addr16}) \leftarrow A$			
	PSW, #byte	3	6	$\text{PSW} \leftarrow \text{byte}$	x	x	x
	A, PSW	2	4	$A \leftarrow \text{PSW}$			
	PSW, A	2	4	$\text{PSW} \leftarrow A$	x	x	x
	A, [DE]	1	6	$A \leftarrow (\text{DE})$			
	[DE], A	1	6	$(\text{DE}) \leftarrow A$			
	A, [HL]	1	6	$A \leftarrow (\text{HL})$			
	[HL], A	1	6	$(\text{HL}) \leftarrow A$			
	A, [HL + byte]	2	6	$A \leftarrow (\text{HL} + \text{byte})$			
	[HL + byte], A	2	6	$(\text{HL} + \text{byte}) \leftarrow A$			
XCH	A, X	1	4	$A \leftrightarrow X$			
	A, r <small>Note 2</small>	2	6	$A \leftrightarrow r$			
	A, saddr	2	6	$A \leftrightarrow (\text{saddr})$			
	A, sfr	2	6	$A \leftrightarrow \text{sfr}$			
	A, [DE]	1	8	$A \leftrightarrow (\text{DE})$			
	A, [HL]	1	8	$A \leftrightarrow (\text{HL})$			
	A, [HL + byte]	2	8	$A \leftrightarrow (\text{HL} + \text{byte})$			
MOVW	rp, #word	3	6	$\text{rp} \leftarrow \text{word}$			
	AX, saddrp	2	6	$\text{AX} \leftarrow (\text{saddrp})$			
	saddrp, AX	2	8	$(\text{saddrp}) \leftarrow \text{AX}$			
	AX, rp <small>Note 3</small>	1	4	$\text{AX} \leftarrow \text{rp}$			
	rp, AX <small>Note 3</small>	1	4	$\text{rp} \leftarrow \text{AX}$			
XCHW	AX, rp <small>Note 3</small>	1	8	$\text{AX} \leftrightarrow \text{rp}$			

- Notes**
1. Except r = A
  2. Except r = A or X
  3. Only when rp = BC, DE, HL

**Remark** One instruction clock cycle is one cycle of the CPU clock ( $f_{\text{CPU}}$ ), selected by the processor clock control register (PCC).

Mnemonic	Operand	Byte	Clock	Operation	Flag		
					Z	AC	CY
ADD	A, #byte	2	4	$A, CY \leftarrow A + \text{byte}$	x	x	x
	saddr, #byte	3	6	$(\text{saddr}), CY \leftarrow (\text{saddr}) + \text{byte}$	x	x	x
	A, r	2	4	$A, CY \leftarrow A + r$	x	x	x
	A, saddr	2	4	$A, CY \leftarrow A + (\text{saddr})$	x	x	x
	A, laddr16	3	8	$A, CY \leftarrow A + (\text{addr16})$	x	x	x
	A, [HL]	1	6	$A, CY \leftarrow A + (\text{HL})$	x	x	x
	A, [HL + byte]	2	6	$A, CY \leftarrow A + (\text{HL} + \text{byte})$	x	x	x
ADDC	A, #byte	2	4	$A, CY \leftarrow A + \text{byte} + CY$	x	x	x
	saddr, #byte	3	6	$(\text{saddr}), CY \leftarrow (\text{saddr}) + \text{byte} + CY$	x	x	x
	A, r	2	4	$A, CY \leftarrow A + r + CY$	x	x	x
	A, saddr	2	4	$A, CY \leftarrow A + (\text{saddr}) + CY$	x	x	x
	A, laddr16	3	8	$A, CY \leftarrow A + (\text{addr16}) + CY$	x	x	x
	A, [HL]	1	6	$A, CY \leftarrow A + (\text{HL}) + CY$	x	x	x
	A, [HL + byte]	2	6	$A, CY \leftarrow A + (\text{HL} + \text{byte}) + CY$	x	x	x
SUB	A, #byte	2	4	$A, CY \leftarrow A - \text{byte}$	x	x	x
	saddr, #byte	3	6	$(\text{saddr}), CY \leftarrow (\text{saddr}) - \text{byte}$	x	x	x
	A, r	2	4	$A, CY \leftarrow A - r$	x	x	x
	A, saddr	2	4	$A, CY \leftarrow A - (\text{saddr})$	x	x	x
	A, laddr16	3	8	$A, CY \leftarrow A - (\text{addr16})$	x	x	x
	A, [HL]	1	6	$A, CY \leftarrow A - (\text{HL})$	x	x	x
	A, [HL + byte]	2	6	$A, CY \leftarrow A - (\text{HL} + \text{byte})$	x	x	x
SUBC	A, #byte	2	4	$A, CY \leftarrow A - \text{byte} - CY$	x	x	x
	saddr, #byte	3	6	$(\text{saddr}), CY \leftarrow (\text{saddr}) - \text{byte} - CY$	x	x	x
	A, r	2	4	$A, CY \leftarrow A - r - CY$	x	x	x
	A, saddr	2	4	$A, CY \leftarrow A - (\text{saddr}) - CY$	x	x	x
	A, laddr16	3	8	$A, CY \leftarrow A - (\text{addr16}) - CY$	x	x	x
	A, [HL]	1	6	$A, CY \leftarrow A - (\text{HL}) - CY$	x	x	x
	A, [HL + byte]	2	6	$A, CY \leftarrow A - (\text{HL} + \text{byte}) - CY$	x	x	x
AND	A, #byte	2	4	$A \leftarrow A \wedge \text{byte}$	x		
	saddr, #byte	3	6	$(\text{saddr}) \leftarrow (\text{saddr}) \wedge \text{byte}$	x		
	A, r	2	4	$A \leftarrow A \wedge r$	x		
	A, saddr	2	4	$A \leftarrow A \wedge (\text{saddr})$	x		
	A, laddr16	3	8	$A \leftarrow A \wedge (\text{addr16})$	x		
	A, [HL]	1	6	$A \leftarrow A \wedge (\text{HL})$	x		
	A, [HL + byte]	2	6	$A \leftarrow A \wedge (\text{HL} + \text{byte})$	x		

**Remark** One instruction clock cycle is one cycle of the CPU clock (f<sub>CPU</sub>), selected by the processor clock control register (PCC).

Mnemonic	Operand	Byte	Clock	Operation	Flag		
					Z	AC	CY
OR	A, #byte	2	4	$A \leftarrow A \vee \text{byte}$	x		
	saddr, #byte	3	6	$(\text{saddr}) \leftarrow (\text{saddr}) \vee \text{byte}$	x		
	A, r	2	4	$A \leftarrow A \vee r$	x		
	A, saddr	2	4	$A \leftarrow A \vee (\text{saddr})$	x		
	A, !addr16	3	8	$A \leftarrow A \vee (\text{addr16})$	x		
	A, [HL]	1	6	$A \leftarrow A \vee (\text{HL})$	x		
	A, [HL + byte]	2	6	$A \leftarrow A \vee (\text{HL} + \text{byte})$	x		
XOR	A, #byte	2	4	$A \leftarrow A \nabla \text{byte}$	x		
	saddr, #byte	3	6	$(\text{saddr}) \leftarrow (\text{saddr}) \nabla \text{byte}$	x		
	A, r	2	4	$A \leftarrow A \nabla r$	x		
	A, saddr	2	4	$A \leftarrow A \nabla (\text{saddr})$	x		
	A, !addr16	3	8	$A \leftarrow A \nabla (\text{addr16})$	x		
	A, [HL]	1	6	$A \leftarrow A \nabla (\text{HL})$	x		
	A, [HL + byte]	2	6	$A \leftarrow A \nabla (\text{HL} + \text{byte})$	x		
CMP	A, #byte	2	4	$A - \text{byte}$	x	x	x
	saddr, #byte	3	6	$(\text{saddr}) - \text{byte}$	x	x	x
	A, r	2	4	$A - r$	x	x	x
	A, saddr	2	4	$A - (\text{saddr})$	x	x	x
	A, !addr16	3	8	$A - (\text{addr16})$	x	x	x
	A, [HL]	1	6	$A - (\text{HL})$	x	x	x
	A, [HL + byte]	2	6	$A - (\text{HL} + \text{byte})$	x	x	x
ADDW	AX, #word	3	6	$\text{AX}, \text{CY} \leftarrow \text{AX} + \text{word}$	x	x	x
SUBW	AX, #word	3	6	$\text{AX}, \text{CY} \leftarrow \text{AX} - \text{word}$	x	x	x
CMPW	AX, #word	3	6	$\text{AX} - \text{word}$	x	x	x
INC	r	2	4	$r \leftarrow r + 1$	x	x	
	saddr	2	4	$(\text{saddr}) \leftarrow (\text{saddr}) + 1$	x	x	
DEC	r	2	4	$r \leftarrow r - 1$	x	x	
	saddr	2	4	$(\text{saddr}) \leftarrow (\text{saddr}) - 1$	x	x	
INCW	rp	1	4	$\text{rp} \leftarrow \text{rp} + 1$			
DECW	rp	1	4	$\text{rp} \leftarrow \text{rp} - 1$			
ROR	A, 1	1	2	$(\text{CY}, A_7 \leftarrow A_0, A_{m-1} \leftarrow A_m) \times 1$			x
ROL	A, 1	1	2	$(\text{CY}, A_0 \leftarrow A_7, A_{m+1} \leftarrow A_m) \times 1$			x
RORC	A, 1	1	2	$(\text{CY} \leftarrow A_0, A_7 \leftarrow \text{CY}, A_{m-1} \leftarrow A_m) \times 1$			x
ROLC	A, 1	1	2	$(\text{CY} \leftarrow A_7, A_0 \leftarrow \text{CY}, A_{m+1} \leftarrow A_m) \times 1$			x

**Remark** One instruction clock cycle is one cycle of the CPU clock (f<sub>CPU</sub>), selected by the processor clock control register (PCC).

Mnemonic	Operand	Byte	Clock	Operation	Flag		
					Z	AC	CY
SET1	saddr. bit	3	6	(saddr. bit) ← 1			
	sfr. bit	3	6	sfr. bit ← 1			
	A. bit	2	4	A. bit ← 1			
	PSW. bit	3	6	PSW. bit ← 1	x	x	x
	[HL]. bit	2	10	(HL). bit ← 1			
CLR1	saddr. bit	3	6	(saddr. bit) ← 0			
	sfr. bit	3	6	sfr. bit ← 0			
	A. bit	2	4	A. bit ← 0			
	PSW. bit	3	6	PSW. bit ← 0	x	x	x
	[HL]. bit	2	10	(HL). bit ← 0			
SET1	CY	1	2	CY ← 1			1
CLR1	CY	1	2	CY ← 0			0
NOT1	CY	1	2	CY ← $\overline{\text{CY}}$			x
CALL	!addr16	3	6	(SP - 1) ← (PC + 3) <sub>H</sub> , (SP - 2) ← (PC + 3) <sub>L</sub> , PC ← addr16, SP ← SP - 2			
CALLT	[addr5]	1	8	(SP - 1) ← (PC + 1) <sub>H</sub> , (SP - 2) ← (PC + 1) <sub>L</sub> , PC <sub>H</sub> ← (00000000, addr5 + 1), PC <sub>L</sub> ← (00000000, addr5), SP ← SP - 2			
RET		1	6	PC <sub>H</sub> ← (SP + 1), PC <sub>L</sub> ← (SP), SP ← SP + 2			
RETI		1	8	PC <sub>H</sub> ← (SP + 1), PC <sub>L</sub> ← (SP), PSW ← (SP + 2), SP ← SP + 3, NMIS ← 0	R	R	R
PUSH	PSW	1	2	(SP - 1) ← PSW, SP ← SP - 1			
	rp	1	4	(SP - 1) ← rp <sub>H</sub> , (SP - 2) ← rp <sub>L</sub> , SP ← SP - 2			
POP	PSW	1	4	PSW ← (SP), SP ← SP + 1	R	R	R
	rp	1	6	rp <sub>H</sub> ← (SP + 1), rp <sub>L</sub> ← (SP), SP ← SP + 2			
MOVW	SP, AX	2	8	SP ← AX			
	AX, SP	2	6	AX ← SP			
BR	!addr16	3	6	PC ← addr16			
	\$addr16	2	6	PC ← PC + 2 + jdisp8			
	AX	1	6	PC <sub>H</sub> ← A, PC <sub>L</sub> ← X			

**Remark** One instruction clock cycle is one cycle of the CPU clock (f<sub>CPU</sub>), selected by the processor clock control register (PCC).

Mnemonic	Operand	Byte	Clock	Operation	Flag		
					Z	AC	CY
BC	\$addr16	2	6	$PC \leftarrow PC + 2 + jdisp8$ if $CY = 1$			
BNC	\$addr16	2	6	$PC \leftarrow PC + 2 + jdisp8$ if $CY = 0$			
BZ	\$addr16	2	6	$PC \leftarrow PC + 2 + jdisp8$ if $Z = 1$			
BNZ	\$addr16	2	6	$PC \leftarrow PC + 2 + jdisp8$ if $Z = 0$			
BT	saddr. bit, \$addr16	4	10	$PC \leftarrow PC + 4 + jdisp8$ if (saddr. bit) = 1			
	sfr. bit, \$addr16	4	10	$PC \leftarrow PC + 4 + jdisp8$ if sfr. bit = 1			
	A. bit, \$addr16	3	8	$PC \leftarrow PC + 3 + jdisp8$ if A. bit = 1			
	PSW. bit, \$addr16	4	10	$PC \leftarrow PC + 4 + jdisp8$ if PSW. bit = 1			
BF	saddr. bit, \$addr16	4	10	$PC \leftarrow PC + 4 + jdisp8$ if (saddr. bit) = 0			
	sfr. bit, \$addr16	4	10	$PC \leftarrow PC + 4 + jdisp8$ if sfr. bit = 0			
	A. bit, \$addr16	3	8	$PC \leftarrow PC + 3 + jdisp8$ if A. bit = 0			
	PSW. bit, \$addr16	4	10	$PC \leftarrow PC + 4 + jdisp8$ if PSW. bit = 0			
DBNZ	B, \$addr16	2	6	$B \leftarrow B - 1$ , then $PC \leftarrow PC + 2 + jdisp8$ if $B \neq 0$			
	C, \$addr16	2	6	$C \leftarrow C - 1$ , then $PC \leftarrow PC + 2 + jdisp8$ if $C \neq 0$			
	saddr, \$addr16	3	8	(saddr) $\leftarrow$ (saddr) - 1, then $PC \leftarrow PC + 3 + jdisp8$ if (saddr) $\neq$ 0			
NOP		1	2	No Operation			
EI		3	6	$IE \leftarrow 1$ (Enable Interrupt)			
DI		3	6	$IE \leftarrow 0$ (Disable Interrupt)			
HALT		1	2	Set HALT Mode			
STOP		1	2	Set STOP Mode			

**Remark** One instruction clock cycle is one cycle of the CPU clock (f<sub>CPU</sub>), selected by the processor clock control register (PCC).



8. ELECTRICAL SPECIFICATIONS

Absolute Maximum Ratings (T<sub>A</sub> = 25°C)

Parameter	Symbol	Conditions		Ratings	Unit
Supply voltage	V <sub>DD</sub> , AV <sub>DD</sub>	V <sub>DD</sub> = AV <sub>DD</sub>		-0.3 to +6.5	V
	V <sub>PP</sub>			-0.3 to +10.5	V
Input voltage	V <sub>I1</sub>	Pins other than P50 to P53		-0.3 to V <sub>DD</sub> + 0.3	V
	V <sub>I2</sub>	P50 to P53	With N-ch open drain	-0.3 to +13	V
Output voltage	V <sub>O</sub>			-0.3 to V <sub>DD</sub> + 0.3	V
Output current, high	I <sub>OH</sub>	Per pin	μPD78F9116B	-10	mA
		Total for all pins		-30	mA
		Per pin	μPD78F9116B(A)	10	mA
		Total for all pins		120	mA
Output current, low	I <sub>OL</sub>	Per pin	μPD78F9116B	30	mA
		Total for all pins		160	mA
		Per pin	μPD78F9116B(A)	-7	mA
		Total for all pins		-22	mA
Operating ambient temperature	T <sub>A</sub>	In normal operation mode		-40 to +85	°C
		During flash memory programming		10 to 40	°C
Storage temperature	T <sub>stg</sub>			-40 to +125	°C

**Caution** Product quality may suffer if the absolute maximum rating is exceeded even momentarily for any parameter. That is, the absolute maximum ratings are rated values at which the product is on the verge of suffering physical damage, and therefore the product must be used under conditions that ensure that the absolute maximum ratings are not exceeded.

**Remark** Unless specified otherwise, the characteristics of alternate-function pins are the same as those of port pins.

System Clock Oscillator Characteristics (T<sub>A</sub> = -40 to +85°C, V<sub>DD</sub> = 1.8 to 5.5 V)

Resonator	Recommended Circuit	Parameter	Conditions	MIN.	TYP.	MAX.	Unit
Ceramic resonator		Oscillation frequency (f <sub>x</sub> ) <sup>Note 1</sup>	V <sub>DD</sub> = 4.5 to 5.5 V	1.0		10.0	MHz
			V <sub>DD</sub> = 3.0 to 5.5 V	1.0		6.0	MHz
			V <sub>DD</sub> = 1.8 to 5.5 V	1.0		5.0	MHz
		Oscillation stabilization time <sup>Note 2</sup>	After V <sub>DD</sub> reaches oscillation voltage range MIN.			4	ms
Crystal resonator		Oscillation frequency (f <sub>x</sub> ) <sup>Note 1</sup>	V <sub>DD</sub> = 4.5 to 5.5 V	1.0		10.0	MHz
			V <sub>DD</sub> = 3.0 to 5.5 V	1.0		6.0	MHz
			V <sub>DD</sub> = 1.8 to 5.5 V	1.0		5.0	MHz
		Oscillation stabilization time <sup>Note 2</sup>	V <sub>DD</sub> = 4.5 to 5.5 V			10	ms
V <sub>DD</sub> = 1.8 to 5.5 V			30				
External clock		X1 input frequency (f <sub>x</sub> ) <sup>Note 1</sup>	V <sub>DD</sub> = 4.5 to 5.5 V	1.0		10.0	MHz
			V <sub>DD</sub> = 3.0 to 5.5 V	1.0		6.0	MHz
			V <sub>DD</sub> = 1.8 to 5.5 V	1.0		5.0	MHz
	X1 input high-/low-level width (t <sub>xH</sub> , t <sub>xL</sub> )	V <sub>DD</sub> = 4.5 to 5.5 V	45		500	ns	
		V <sub>DD</sub> = 3.0 to 5.5 V	75		500	ns	
		V <sub>DD</sub> = 1.8 to 5.5 V	85		500	ns	
	X1 input frequency (f <sub>x</sub> ) <sup>Note 1</sup>	V <sub>DD</sub> = 2.7 to 5.5 V	1.0		5.0	MHz	
	X1 input high-/low-level width (t <sub>xH</sub> , t <sub>xL</sub> )		85		500	ns	

- Notes**
1. Indicates only oscillator characteristics. Refer to **AC characteristics** for instruction execution time.
  2. Time required to stabilize oscillation after a reset or STOP mode release. Use the resonator that stabilizes oscillation during the oscillation wait time.

**Caution** When using the system clock oscillator, wire as follows in the area enclosed by the broken lines in the above figures to avoid an adverse effect from wiring capacitance.

- Keep the wiring length as short as possible.
- Do not cross the wiring with the other signal lines.
- Do not route the wiring near a signal line through which a high fluctuating current flows.
- Always make the ground point of the oscillator capacitor the same potential as V<sub>SS</sub>.
- Do not ground the capacitor to a ground pattern through which a high current flows.
- Do not fetch signals from the oscillator.

**Remark** For the resonator selection and oscillator constant, customers are requested to either evaluate the oscillation themselves or apply to the resonator manufacturer for evaluation.

DC Characteristics (T<sub>A</sub> = -40 to +85°C, V<sub>DD</sub> = 1.8 to 5.5 V) (1/2)

Parameter	Symbol	Conditions		MIN.	TYP.	MAX.	Unit
Output current, high	I <sub>OH</sub>	Per pin	μPD78F9116B			-1	mA
		Total for all pins				-15	mA
		Per pin	μPD78F9116B(A)			-1	mA
		Total for all pins				-11	mA
Output current, low	I <sub>OL</sub>	Per pin	μPD78F9116B			10	mA
		Total for all pins				80	mA
		Per pin	μPD78F9116B(A)			3	mA
		Total for all pins				60	mA
Input voltage, high	V <sub>IH1</sub>	Pins other than described below		V <sub>DD</sub> = 2.7 to 5.5 V	0.7 V <sub>DD</sub>	V <sub>DD</sub>	V
				V <sub>DD</sub> = 1.8 to 5.5 V	0.9 V <sub>DD</sub>	V <sub>DD</sub>	V
	V <sub>IH2</sub>	P50 to P53	N-ch open drain	V <sub>DD</sub> = 2.7 to 5.5 V	0.7 V <sub>DD</sub>	12	V
				V <sub>DD</sub> = 1.8 to 5.5 V, T <sub>A</sub> = 25 to 85 °C	0.9 V <sub>DD</sub>	12	V
	V <sub>IH3</sub>	RESET, P20 to P25		V <sub>DD</sub> = 2.7 to 5.5 V	0.8 V <sub>DD</sub>	V <sub>DD</sub>	V
				V <sub>DD</sub> = 1.8 to 5.5 V	0.9 V <sub>DD</sub>	V <sub>DD</sub>	V
	V <sub>IH4</sub>	X1, X2		V <sub>DD</sub> = 4.5 to 5.5 V	V <sub>DD</sub> - 0.5	V <sub>DD</sub>	V
				V <sub>DD</sub> = 1.8 to 5.5 V	V <sub>DD</sub> - 0.1	V <sub>DD</sub>	V
Input voltage, low	V <sub>IL1</sub>	Pins other than described below		V <sub>DD</sub> = 2.7 to 5.5 V	0	0.3 V <sub>DD</sub>	V
				V <sub>DD</sub> = 1.8 to 5.5 V	0	0.1 V <sub>DD</sub>	V
	V <sub>IL2</sub>	P50 to P53	N-ch open drain	V <sub>DD</sub> = 2.7 to 5.5 V	0	0.3 V <sub>DD</sub>	V
				V <sub>DD</sub> = 1.8 to 5.5 V, T <sub>A</sub> = 25 to 85 °C	0	0.1 V <sub>DD</sub>	V
	V <sub>IL3</sub>	RESET, P20 to P25		V <sub>DD</sub> = 2.7 to 5.5 V	0	0.2 V <sub>DD</sub>	V
				V <sub>DD</sub> = 1.8 to 5.5 V	0	0.1 V <sub>DD</sub>	V
	V <sub>IL4</sub>	X1, X2		V <sub>DD</sub> = 4.5 to 5.5 V	0	0.4	V
				V <sub>DD</sub> = 1.8 to 5.5 V	0	0.1	V
Output voltage, high	V <sub>OH1</sub>	V <sub>DD</sub> = 4.5 to 5.5 V, I <sub>OH</sub> = -1 mA		V <sub>DD</sub> - 1.0			V
	V <sub>OH2</sub>	V <sub>DD</sub> = 1.8 to 5.5 V, I <sub>OH</sub> = -100 μA		V <sub>DD</sub> - 0.5			V
Output voltage, low	V <sub>OL1</sub>	Pins other than P50 to P53	V <sub>DD</sub> = 4.5 to 5.5 V, I <sub>OL</sub> = 10 mA (μPD78F9116B)			1.0	V
			V <sub>DD</sub> = 4.5 to 5.5 V, I <sub>OL</sub> = 3 mA (μPD78F9116B(A))			1.0	V
			V <sub>DD</sub> = 1.8 to 5.5 V, I <sub>OL</sub> = 400 μA			0.5	V
	V <sub>OL2</sub>	P50 to P53	V <sub>DD</sub> = 4.5 to 5.5 V, I <sub>OL</sub> = 10 mA (μPD78F9116B)			1.0	V
			V <sub>DD</sub> = 4.5 to 5.5 V, I <sub>OL</sub> = 3 mA (μPD78F9116B(A))			1.0	V
			V <sub>DD</sub> = 1.8 to 5.5 V, I <sub>OL</sub> = 1.6 mA			0.4	V

**Remark** Unless specified otherwise, the characteristics of alternate-function pins are the same as those of port pins.

DC Characteristics (T<sub>A</sub> = -40 to +85°C, V<sub>DD</sub> = 1.8 to 5.5 V) (2/2)

Parameter	Symbol	Conditions	MIN.	TYP.	MAX.	Unit	
Input leakage current, high	I <sub>LIH1</sub>	Pins other than X1, X2, or P50 to P53			3	μA	
	I <sub>LIH2</sub>	X1, X2			20	μA	
	I <sub>LIH3</sub>	P50 to P53 (N-ch open drain)			20	μA	
Input leakage current, low	I <sub>LIL1</sub>	Pins other than X1, X2, or P50 to P53			-3	μA	
	I <sub>LIL2</sub>	X1, X2			-20	μA	
	I <sub>LIL3</sub>	P50 to P53 (N-ch open drain)			-3 <sup>Note 1</sup>	μA	
Output leakage current, high	I <sub>LOH</sub>	V <sub>OUT</sub> = V <sub>DD</sub>			3	μA	
Output leakage current, low	I <sub>LOL</sub>	V <sub>OUT</sub> = 0 V			-3	μA	
Software pull-up resistor	R <sub>1</sub>	V <sub>IN</sub> = 0 V, for pins other than P50 to P53	50	100	200	kΩ	
Power supply current	I <sub>DD1</sub> <sup>Note 2</sup>	10.0 MHz crystal oscillation operating mode	V <sub>DD</sub> = 5.0 V±10% <sup>Note 4</sup>		10.0	20.0	mA
		6.0 MHz crystal oscillation operating mode	V <sub>DD</sub> = 5.0 V±10% <sup>Note 4</sup>		6.0	12.0	mA
		5.0 MHz crystal oscillation operating mode (C1 = C2 = 22 pF)	V <sub>DD</sub> = 5.0 V±10% <sup>Note 4</sup>		4.0	10.0	mA
			V <sub>DD</sub> = 3.0 V±10% <sup>Note 5</sup>		1.0	2.5	mA
	I <sub>DD2</sub> <sup>Note 2</sup>	10.0 MHz crystal oscillation HALT mode	V <sub>DD</sub> = 5.0 V±10% <sup>Note 4</sup>		1.2	6.0	mA
			V <sub>DD</sub> = 5.0 V±10% <sup>Note 4</sup>		0.9	2.8	mA
			V <sub>DD</sub> = 5.0 V±10% <sup>Note 4</sup>		0.6	2.5	mA
		6.0 MHz crystal oscillation HALT mode (C1 = C2 = 22 pF)	V <sub>DD</sub> = 3.0 V±10% <sup>Note 5</sup>		0.3	2.0	mA
			V <sub>DD</sub> = 2.0 V±10% <sup>Note 5</sup>		0.2	1.5	mA
			V <sub>DD</sub> = 2.0 V±10% <sup>Note 5</sup>		0.2	1.5	mA
	I <sub>DD3</sub> <sup>Note 2</sup>	STOP mode	V <sub>DD</sub> = 5.0 V±10%		0.1	30	μA
			V <sub>DD</sub> = 3.0 V±10%		0.05	10	μA
			V <sub>DD</sub> = 2.0 V±10%		0.05	10	μA
	I <sub>DD4</sub> <sup>Note 3</sup>	10.0 MHz crystal oscillation A/D operating mode	V <sub>DD</sub> = 5.0 V±10% <sup>Note 4</sup>		11.0	22.5	mA
			V <sub>DD</sub> = 5.0 V±10% <sup>Note 4</sup>		7.0	14.5	mA
6.0 MHz crystal oscillation A/D operating mode (C1 = C2 = 22 pF)		V <sub>DD</sub> = 5.0 V±10% <sup>Note 4</sup>		5.0	12.5	mA	
		V <sub>DD</sub> = 3.0 V±10% <sup>Note 5</sup>		2.0	5.0	mA	
		V <sub>DD</sub> = 2.0 V±10% <sup>Note 5</sup>		1.8	4.5	mA	

- Notes**
1. When port 5 is in input mode, a low-level input leakage current of -60 μA (MAX.) flows only for 1 cycle time after a read instruction has been executed to port 5.
  2. The current flowing to the ports (including the current flowing through an on-chip pull-up resistor) and AV<sub>DD</sub> current are not included.
  3. The current flowing to the ports (including the current flowing through an on-chip pull-up resistor) is not included.
  4. High-speed mode operation (when processor clock control register (PCC) is set to 00H.)
  5. Low-speed mode operation (when PCC is set to 02H).

**Remark** Unless specified otherwise, the characteristics of alternate-function pins are the same as those of port pins.

**Flash Memory Write/Erase Characteristics (T<sub>A</sub> = 10 to 40°C, V<sub>DD</sub> = 1.8 to 5.5 V)**

Parameter	Symbol	Conditions	MIN.	TYP.	MAX.	Unit
Operating frequency	f <sub>x</sub>	V <sub>DD</sub> = 4.5 to 5.5 V	1.0		10.0	MHz
		V <sub>DD</sub> = 3.0 to 5.5 V	1.0		6.0	MHz
		V <sub>DD</sub> = 2.7 to 5.5 V	1.0		5.0	MHz
		V <sub>DD</sub> = 1.8 to 5.5 V	1.0		1.25	MHz
Write current (V <sub>DD</sub> pin) <sup>Note</sup>	I <sub>DDW</sub>	When V <sub>PP</sub> supply voltage = V <sub>PP1</sub> ( 5.0 MHz crystal oscillation operating mode )			21	mA
Write current (V <sub>PP</sub> pin) <sup>Note</sup>	I <sub>PPW</sub>	When V <sub>PP</sub> supply voltage = V <sub>PP1</sub>			22.5	mA
Erase current (V <sub>DD</sub> pin) <sup>Note</sup>	I <sub>DDE</sub>	When V <sub>PP</sub> supply voltage = V <sub>PP1</sub> ( 5.0 MHz crystal oscillation operating mode )			3	mA
Erase current (V <sub>PP</sub> pin) <sup>Note</sup>	I <sub>PPE</sub>	When V <sub>PP</sub> supply voltage = V <sub>PP1</sub>			115	mA
Unit erase time	t <sub>er</sub>		0.2	0.2	0.2	s
Total erase time	t <sub>era</sub>				20	s
Write count		Erase/write are regarded as 1 cycle			20	Times
V <sub>PP</sub> supply voltage	V <sub>PP0</sub>	In normal operation	0		0.2V <sub>DD</sub>	V
	V <sub>PP1</sub>	During flash memory programming	9.7	10.0	10.3	V

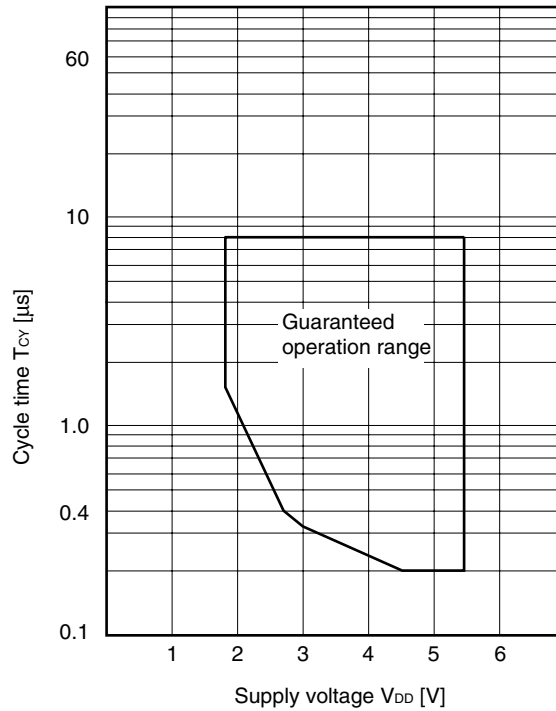
**Note** The current flowing to the ports (including the current flowing through an on-chip pull-up resistor) and AV<sub>DD</sub> current are not included.

AC Characteristics

(1) Basic operation (T<sub>A</sub> = -40 to +85°C, V<sub>DD</sub> = 1.8 to 5.5 V)

Parameter	Symbol	Conditions	MIN.	TYP.	MAX.	Unit
Cycle time (minimum instruction execution time)	T <sub>CY</sub>	V <sub>DD</sub> = 4.5 to 5.5 V	0.2		8	μs
		V <sub>DD</sub> = 3.0 to 5.5 V	0.33		8	μs
		V <sub>DD</sub> = 2.7 to 5.5 V	0.4		8	μs
		V <sub>DD</sub> = 1.8 to 5.5 V	1.6		8	μs
Tl80 input high-/low- level width	t <sub>TIH</sub> ,	V <sub>DD</sub> = 2.7 to 5.5 V	0.1			μs
	t <sub>TIL</sub>	V <sub>DD</sub> = 1.8 to 5.5 V	1.8			μs
Tl80 input frequency	f <sub>TI</sub>	V <sub>DD</sub> = 2.7 to 5.5 V	0		4	MHz
		V <sub>DD</sub> = 1.8 to 5.5 V	0		275	kHz
Interrupt input high- /low-level width	t <sub>INTH</sub> , t <sub>INTL</sub>	INTP0 to INTP2	10			μs
RESET low-level width	t <sub>RSL</sub>		10			μs
CPT20 input high- /low-level width	t <sub>CPH</sub> , t <sub>CPL</sub>		10			μs

T<sub>CY</sub> vs V<sub>DD</sub>



(2) Serial interface (T<sub>A</sub> = -40 to +85°C, V<sub>DD</sub> = 1.8 to 5.5 V)

(i) 3-wire serial I/O mode (SCK20...Internal clock output)

Parameter	Symbol	Conditions	MIN.	TYP.	MAX.	Unit	
SCK20 cycle time	t <sub>KCY1</sub>	V <sub>DD</sub> = 2.7 to 5.5 V	800			ns	
		V <sub>DD</sub> = 1.8 to 5.5 V	3200			ns	
SCK20 high-/low-level width	t <sub>KH1</sub> , t <sub>KL1</sub>	V <sub>DD</sub> = 2.7 to 5.5 V	t <sub>KCY1</sub> /2 - 50			ns	
		V <sub>DD</sub> = 1.8 to 5.5 V	t <sub>KCY1</sub> /2 - 150			ns	
SI20 setup time (to SCK20↑)	t <sub>SIK1</sub>	V <sub>DD</sub> = 2.7 to 5.5 V	150			ns	
		V <sub>DD</sub> = 1.8 to 5.5 V	500			ns	
SI20 hold time (from SCK20↑)	t <sub>KS1</sub>	V <sub>DD</sub> = 2.7 to 5.5 V	400			ns	
			600			ns	
SO20 output delay time from SCK20↓	t <sub>KSO1</sub>	R = 1 kΩ, C = 100 pF <sup>Note</sup>	V <sub>DD</sub> = 2.7 to 5.5 V	0		250	ns
			V <sub>DD</sub> = 1.8 to 5.5 V	0		1000	ns

**Note** R and C are the load resistance and load capacitance of the SO output line.

(ii) 3-wire serial I/O mode (SCK20...External clock input)

Parameter	Symbol	Conditions	MIN.	TYP.	MAX.	Unit	
SCK20 cycle time	t <sub>KCY2</sub>	V <sub>DD</sub> = 2.7 to 5.5 V	800			ns	
		V <sub>DD</sub> = 1.8 to 5.5 V	3200			ns	
SCK20 high-/low-level width	t <sub>KH2</sub> , t <sub>KL2</sub>	V <sub>DD</sub> = 2.7 to 5.5 V	400			ns	
		V <sub>DD</sub> = 1.8 to 5.5 V	1600			ns	
SI20 setup time (to SCK20↑)	t <sub>SIK2</sub>	V <sub>DD</sub> = 2.7 to 5.5 V	100			ns	
		V <sub>DD</sub> = 1.8 to 5.5 V	150			ns	
SI20 hold time (from SCK20↑)	t <sub>KS2</sub>	V <sub>DD</sub> = 2.7 to 5.5 V	400			ns	
		V <sub>DD</sub> = 1.8 to 5.5 V	600			ns	
SO20 output delay time from SCK20↓	t <sub>KSO2</sub>	R = 1 kΩ, C = 100 pF <sup>Note</sup>	V <sub>DD</sub> = 2.7 to 5.5 V	0		300	ns
			V <sub>DD</sub> = 1.8 to 5.5 V	0		1000	ns
SO20 setup time (for SS20↓ when SS20 is used)	t <sub>KAS2</sub>	V <sub>DD</sub> = 2.7 to 5.5 V			120	ns	
		V <sub>DD</sub> = 1.8 to 5.5 V			400	ns	
SO20 disable time (for SS20↑ when SS20 is used)	t <sub>KDS2</sub>	V <sub>DD</sub> = 2.7 to 5.5 V			240	ns	
		V <sub>DD</sub> = 1.8 to 5.5 V			800	ns	

**Note** R and C are the load resistance and load capacitance of the SO output line.

(iii) UART mode (Dedicated baud rate generator output)

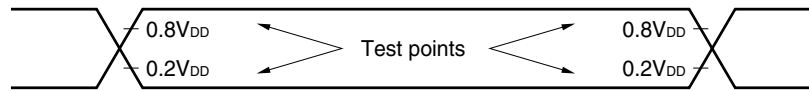
Parameter	Symbol	Conditions	MIN.	TYP.	MAX.	Unit
Transfer rate		V <sub>DD</sub> = 2.7 to 5.5 V			78125	bps
		V <sub>DD</sub> = 1.8 to 5.5 V			19531	bps

(iv) UART mode (external clock input)

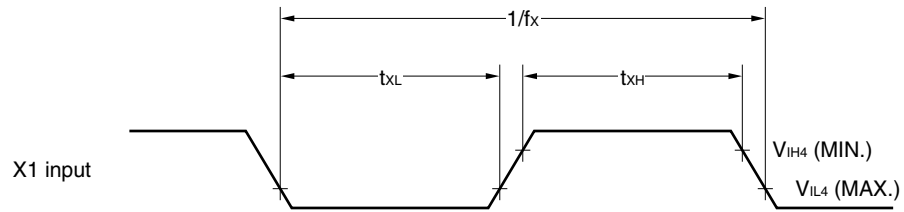
Parameter	Symbol	Conditions	MIN.	TYP.	MAX.	Unit
ASCK20 cycle time	t <sub>KCY3</sub>	V <sub>DD</sub> = 2.7 to 5.5 V	800			ns
		V <sub>DD</sub> = 1.8 to 5.5 V	3200			ns
ASCK20 high-/low-level width	t <sub>KH3</sub> , t <sub>KL3</sub>	V <sub>DD</sub> = 2.7 to 5.5 V	400			ns
		V <sub>DD</sub> = 1.8 to 5.5 V	1600			ns
Transfer rate		V <sub>DD</sub> = 2.7 to 5.5 V			39063	bps
		V <sub>DD</sub> = 1.8 to 5.5 V			9766	bps
ASCK20 rise/fall time	t <sub>R</sub> , t <sub>F</sub>				1	μs



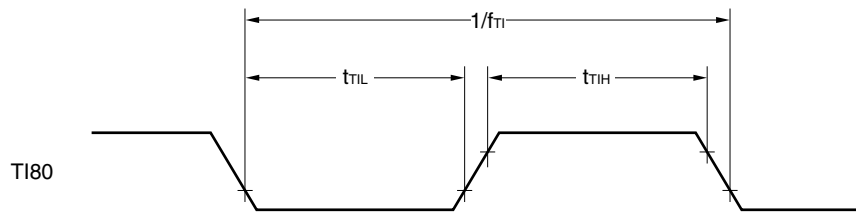
AC Timing Test Points (excluding X1 input)



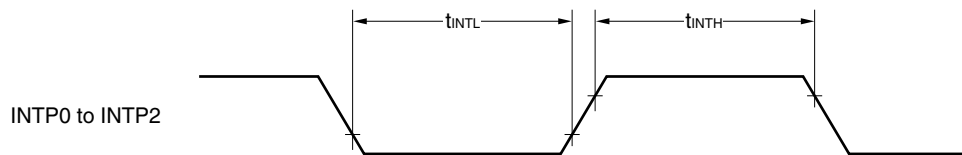
Clock Timing



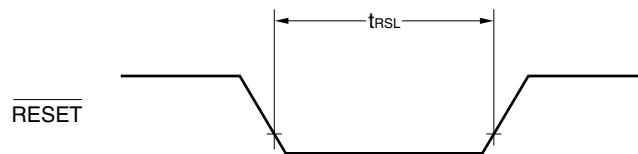
TI Timing



Interrupt Input Timing

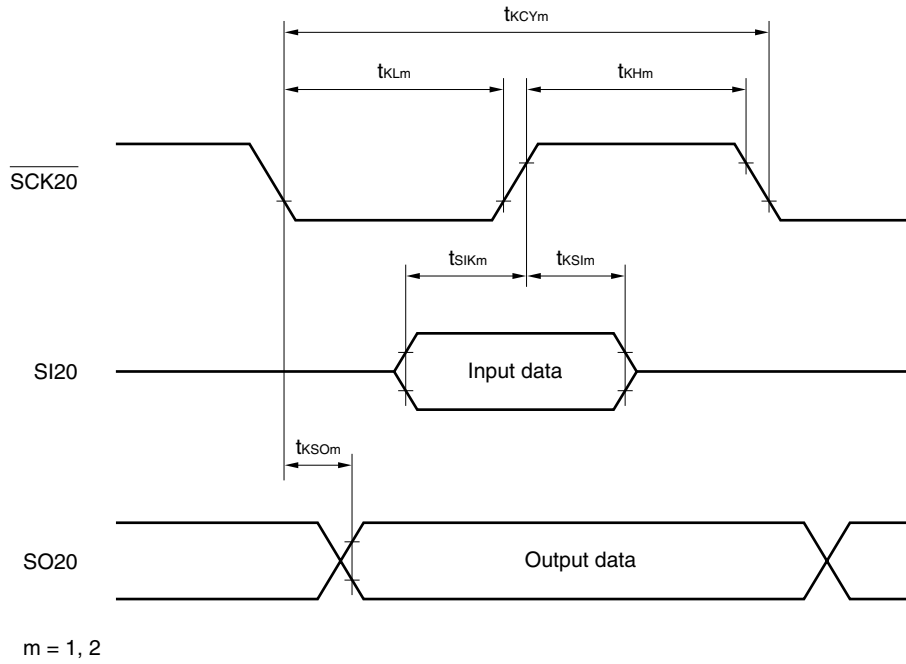


RESET Input Timing

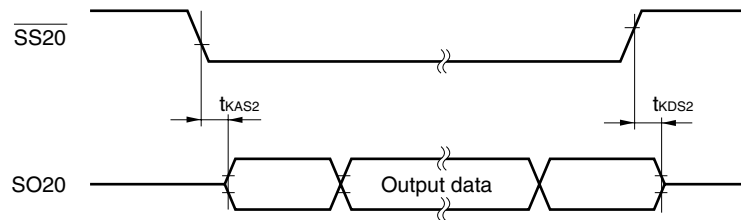


Serial Transfer Timing

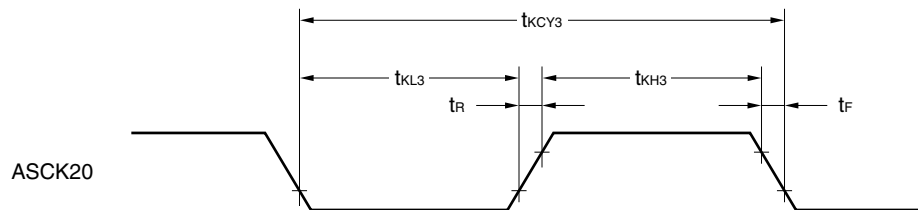
3-wire serial I/O mode:



3-wire serial I/O mode (when  $\overline{\text{SS20}}$  is used):



UART mode (external clock input):



10-Bit A/D Converter Characteristics (T<sub>A</sub> = -40 to +85°C, AV<sub>DD</sub> = V<sub>DD</sub> = 1.8 to 5.5 V, AV<sub>SS</sub> = V<sub>SS</sub> = 0 V)

Parameter	Symbol	Conditions	MIN.	TYP.	MAX.	Unit
Resolution			10	10	10	bit
Overall error <sup>Note1,2</sup>		4.5 V ≤ V <sub>DD</sub> ≤ 5.5 V		±0.2	±0.4	%FSR
		2.7 V ≤ V <sub>DD</sub> < 4.5 V		±0.4	±0.6	%FSR
		1.8 V ≤ V <sub>DD</sub> < 2.7 V		±0.8	±1.2	%FSR
Conversion time	t <sub>CONV</sub>	4.5 V ≤ V <sub>DD</sub> ≤ 5.5 V	12		100	μs
		2.7 V ≤ V <sub>DD</sub> < 4.5 V	14		100	μs
		1.8 V ≤ V <sub>DD</sub> < 2.7 V	28		100	μs
Zero-scale error <sup>Note1,2</sup>		4.5 V ≤ V <sub>DD</sub> ≤ 5.5 V			±0.4	%FSR
		2.7 V ≤ V <sub>DD</sub> < 4.5 V			±0.6	%FSR
		1.8 V ≤ V <sub>DD</sub> < 2.7 V			±1.2	%FSR
Full-scale error <sup>Note1,2</sup>		4.5 V ≤ V <sub>DD</sub> ≤ 5.5 V			±0.4	%FSR
		2.7 V ≤ V <sub>DD</sub> < 4.5 V			±0.6	%FSR
		1.8 V ≤ V <sub>DD</sub> < 2.7 V			±1.2	%FSR
Integral linearity error <sup>Note1</sup>	ILE	4.5 V ≤ V <sub>DD</sub> ≤ 5.5 V			±2.5	LSB
		2.7 V ≤ V <sub>DD</sub> < 4.5 V			±4.5	LSB
		1.8 V ≤ V <sub>DD</sub> < 2.7 V			±8.5	LSB
Differential linearity error <sup>Note1</sup>	DLE	4.5 V ≤ V <sub>DD</sub> ≤ 5.5 V			±1.5	LSB
		2.7 V ≤ V <sub>DD</sub> < 4.5 V			±2.0	LSB
		1.8 V ≤ V <sub>DD</sub> < 2.7 V			±3.5	LSB
Analog input voltage	V <sub>IAN</sub>		0		AV <sub>DD</sub>	V

- Notes**
1. Excludes quantization error (±0.05%FSR).
  2. It is indicated as a ratio to the full-scale value (%FSR).

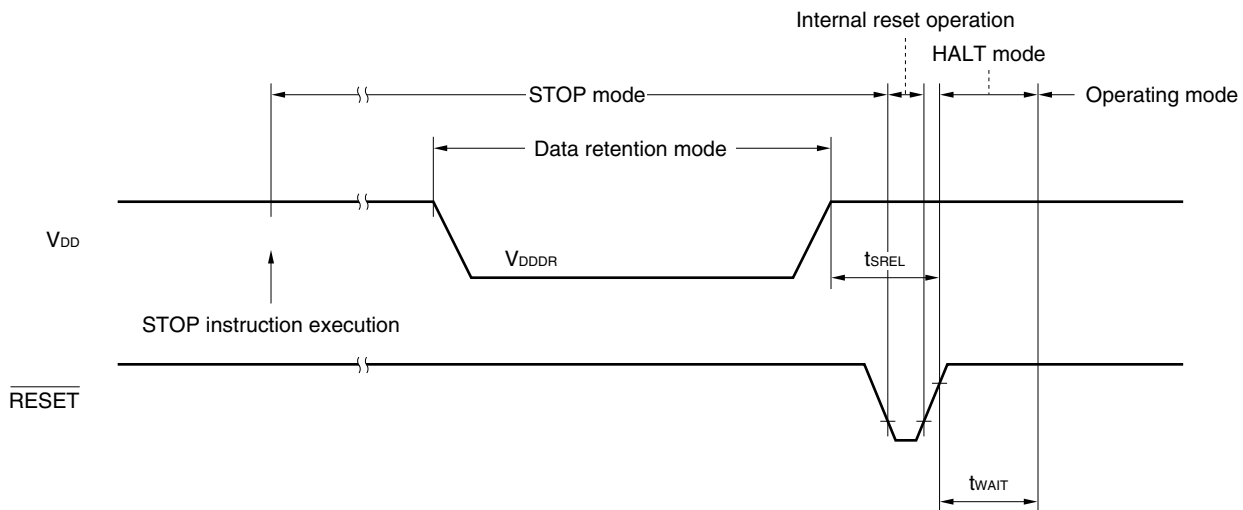
**Data Memory STOP Mode Low Supply Voltage Data Retention Characteristics (T<sub>A</sub> = -40 to +85°C)**

Parameter	Symbol	Conditions	MIN.	TYP.	MAX.	Unit
Data retention supply voltage	V <sub>DDDR</sub>		1.8		5.5	V
Release signal set time	t <sub>SREL</sub>		0			μs
Oscillation stabilization wait time <sup>Note 1</sup>	t <sub>WAIT</sub>	Release by $\overline{\text{RESET}}$		2 <sup>15</sup> /f <sub>x</sub>		ms
		Release by interrupt request		<b>Note 2</b>		ms

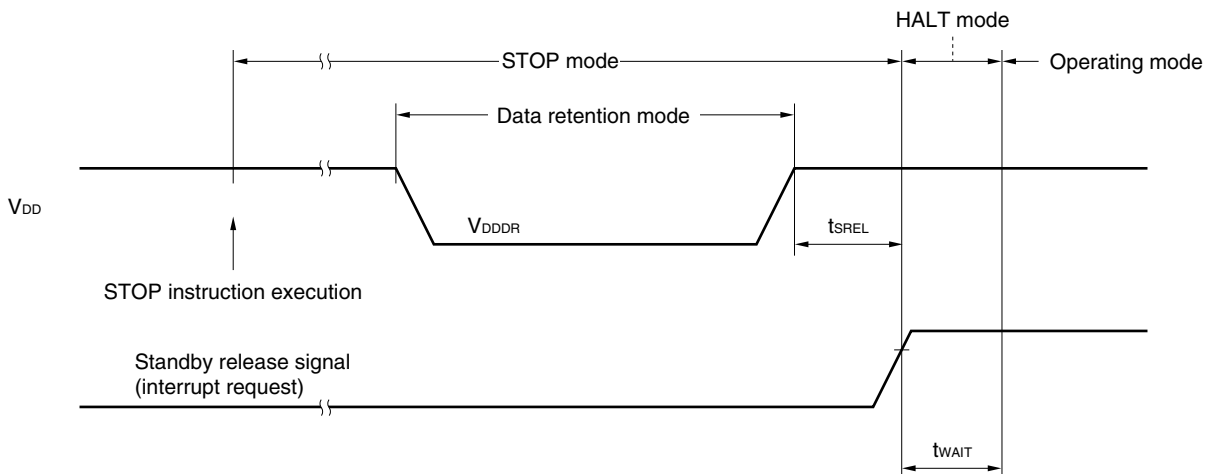
- Notes**
1. The oscillation stabilization wait time is the period during which the CPU operation is stopped to avoid unstable operation at the beginning of oscillation.
  2. Selection of 2<sup>12</sup>/f<sub>x</sub>, 2<sup>15</sup>/f<sub>x</sub>, or 2<sup>17</sup>/f<sub>x</sub> is possible with bits 0 to 2 (OSTS0 to OSTS2) of the oscillation stabilization time select register.

**Remark** f<sub>x</sub>: System clock oscillation frequency

**Data Retention Timing (STOP mode release by  $\overline{\text{RESET}}$ )**

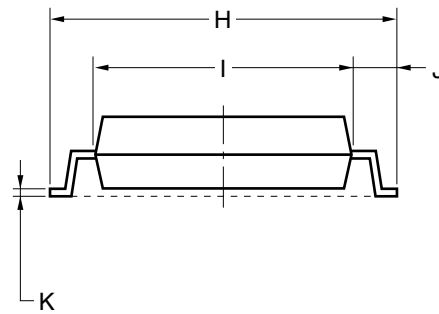
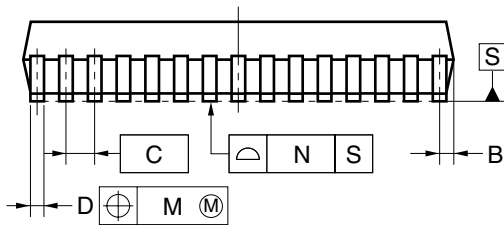
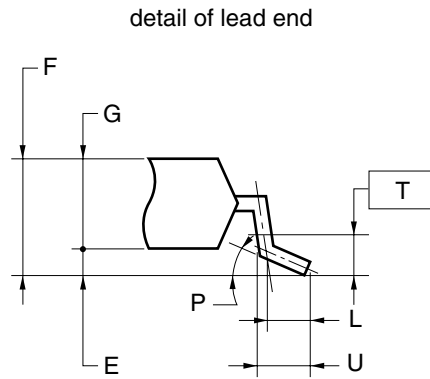
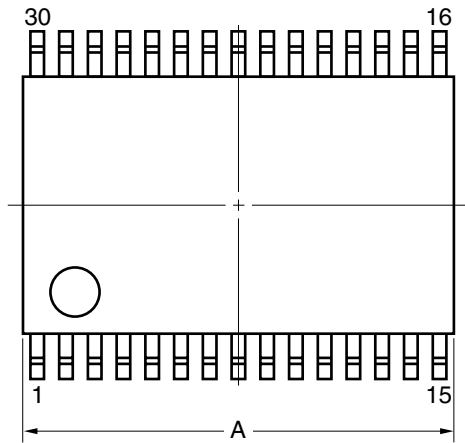


**Data Retention Timing (Standby release signal: STOP mode release by interrupt signal)**



9. PACKAGE DRAWING

30-PIN PLASTIC SSOP (7.62 mm (300))



NOTE

Each lead centerline is located within 0.13 mm of its true position (T.P.) at maximum material condition.

ITEM	MILLIMETERS
A	9.85±0.15
B	0.45 MAX.
C	0.65 (T.P.)
D	0.24 <sup>+0.08</sup> <sub>-0.07</sub>
E	0.1±0.05
F	1.3±0.1
G	1.2
H	8.1±0.2
I	6.1±0.2
J	1.0±0.2
K	0.17±0.03
L	0.5
M	0.13
N	0.10
P	3° <sup>+5°</sup> <sub>-3°</sub>
T	0.25
U	0.6±0.15

S30MC-65-5A4-2

**10. RECOMMENDED SOLDERING CONDITIONS**

The μPD78F9116B and 78F9116B(A) should be soldered and mounted under the following recommended conditions.

For the details of the recommended soldering conditions, refer to the document **Semiconductor Device Mounting Technology Manual (C10535E)**. For soldering methods and conditions other than those recommended below, contact your NEC sales representative.

**Table 10-1. Surface Mounting Type Soldering Conditions**

μPD78F9116BMC-5A4: 30-pin plastic SSOP (7.62 mm (300))

μPD78F9116BMC(A)-5A4: 30-pin plastic SSOP (7.62 mm (300))

Soldering Method	Soldering Conditions	Recommended Condition Symbol
Infrared reflow	Package peak temperature: 235°C, Time: 30 seconds max. (at 210°C or higher), Count: Three times or less: 3 max., Exposure limit: 7days <sup>Note</sup> (after that, prebake at 125°C for 10 hours)	IR35-107-3
VPS	Package peak temperature: 215°C, Time: 40 seconds max. (at 200°C or higher), Count: Three time or less, Exposure limit: 7days <sup>Note</sup> (after that, prebake at 125°C for 10 hours)	VP15-107-3
Wave soldering	Solder bath temperature: 260°C max., Time: 10 seconds max., Count: Once Preheating temperature: 120°C or below (package surface temperature), Exposure limit : 7days <sup>Note</sup> (after that, prebake at 125°C for 10 hours)	WS60-107-1
Partial heating	Pin temperature: 300°C max., Time: 3 sec. max. (per pin row)	—

**Note** After opening the dry pack, store it at 25°C or less and 65% RH or less for the allowable storage period.

**Caution** Do not use different soldering methods together (except for partial heating).

**APPENDIX A. DEVELOPMENT TOOLS**

The following development tools are available for system development using the μPD78F9116B and 78F9116B(A).

**Software package**

SP78K0S <sup>Notes 1,2</sup>	CD-ROM in which the development tools (software) common to the 78K/0S Series are included as a package
------------------------------	--

**Language Processing Software**

RA78K0S <sup>Notes 1, 2, 3</sup>	Assembler package common to 78K/0S Series
CC78K0S <sup>Notes 1, 2, 3</sup>	C compiler package common to 78K/0S Series
DF789136 <sup>Notes 1, 2, 3</sup>	Device file for μPD78F9116B

**Flash Memory Writing Tools**

Flashpro III (Model number: FL-PR3 <sup>Note 4</sup> , PG-FP3)	Dedicated flash programmer for on-chip flash memory
FA-30MC <sup>Note 4</sup>	Flash memory writing adapter

**Debugging Tools (1/2)**

IE-78K0S-NS In-circuit emulator	In-circuit emulator serves to debug hardware and software when developing application systems using a 78K/0S Series product. It supports the ID78K0S-NS integrated debugger. Used in combination with an AC adapter, emulation probe, and interface adapter connecting to the host machine.
IE-78K0S-NS-A In-circuit emulator	The IE-78K0S-NS-A provides a coverage function in addition to the IE-78K0S-NS functions, thus enhancing the debug functions, including the tracer and timer functions.
IE-70000-MC-PS-B AC adapter	Adapter used to supply power from a power outlet of 100 V AC to 240 V AC.
IE-70000-98-IF-C Interface adapter	Adapter when PC-9800 series PC (except notebook type) is used as the host machine (C bus supported).
IE-70000-CD-IF-A PC card interface	PC card and interface cable when notebook PC is used as the host machine (PCMCIA socket supported).
IE-70000-PC-IF-C Interface adapter	Adapter when using an IBM PC/AT™ or compatible as the host machine.
IE-70000-PCI-IF-A Interface adapter	Adapter when using PC that includes a PCI bus as the IE-78K0S-NS host machine.
IE-789136-NS-EM1 Emulation board	Board for emulation of the peripheral hardware peculiar to a device. Used in combination with an in-circuit emulator.
NP-36GS <sup>Note 4</sup>	Board used to connect the in-circuit emulator to the target system. For a 30-pin plastic SSOP (MC-5A4 type), used in combination with NGS-30.
NGS-30 <sup>Note 4</sup> Conversion socket	Conversion socket used to connect the NP-36GS to the target system board designed to mount a 30-pin plastic SSOP (MC-5A4 type).

- Notes**
1. PC-9800 series (Japanese Windows™) based
  2. IBM PC/AT or compatibles (Japanese/English Windows) based
  3. HP9000 series 700™ (HP-UX™) based, SPARCstation™ (SunOS™, Solaris™) based.
  4. Products made by Naito Densai Machida Mfg. Co., Ltd. (Phone: +81-45-475-4191)

**Remark** RA78K0S, CC78K0S, SM78K0S, and ID78K0S-NS are used in combination with the DF789136.

**Debugging Tools (2/2)**

SM78K0S <sup>Notes 1, 2</sup>	System simulator common to 78K/0S Series
ID78K0S-NS <sup>Notes 1, 2</sup>	Integrated debugger common to 78K/0S Series
DF789136 <sup>Notes 1, 2</sup>	Device file for $\mu$ PD78F9116B

- Notes**
1. PC-9800 series (Japanese Windows) based
  2. IBM PC/AT or compatibles (Japanese/English Windows) based

**Remark** RA78K0S, CC78K0S, SM78K0S, and ID78K0S-NS are used in combination with the DF789136.



**APPENDIX B. RELATED DOCUMENTS**

The related documents listed above are subject to change without notice. Be sure to use the latest version of each document for designing.

**Documents Related to Devices**

Document Name	Document No.
μPD789101A, 102A, 104A, 111A, 112A, 114A, 101A(A), 102A(A), 104A(A), 111A(A), 112A(A), 114A(A) Data Sheet	U14590E
μPD78F9116B, 78F9116B(A) Data Sheet	This manual
μPD789104A, 789114A, 789124A, 789134A Subseries User's Manual	U14643E
78K/0S Series User's Manual Instructions	U11047E

**Documents Related to Development Software Tools (User's Manuals)**

Document Name	Document No.	
RA78K0S Assembler Package	Operation	U14876E
	Language	U14877E
	Structured Assembly Language	U11623E
CC78K0S C Compiler	Operation	U14871E
	Language	U14872E
SM78K0S, SM78K0 System Simulator Ver. 2.10 or Later	Operation (Windows Based)	U14611E
SM78K Series System Simulator Ver. 2.10 or Later	External Part User Open Interface Specification	U15006E
ID78K0-NS, ID78K0S-NS Integrated Debugger Ver. 2.20 or Later	Operation (Windows Based)	U14910E
Project Manager Ver. 3.12 or Later (Windows Based)		U14610E

**Documents Related to Development Hardware Tools (User's Manuals)**

Document Name	Document No.
IE-78K0S-NS In-Circuit Emulator	U13549E
IE-78K0S-NS-A In-Circuit Emulator	U15207E
IE-789136-NS-EM1 Emulation Board	U14363E

**Documents Related to Flash Memory Writing**

Document Name	Document No.
PG-FP3 Flash Memory Programmer User's Manual	U13502E

**Caution** The related documents listed above are subject to change without notice. Be sure to use the latest version of each document for designing.

**Other Related Documents**

Document Name	Document No.
SEMICONDUCTOR SELECTION GUIDE - Products & Packages -	X13769E
Semiconductor Device Mounting Technology Manual	C10535E
Quality Grades on NEC Semiconductor Devices	C11531E
NEC Semiconductor Device Reliability/Quality Control System	C10983E
Guide to Prevent Damage for Semiconductor Devices by Electrostatic Discharge (ESD)	C11892E

**Caution** The related documents listed above are subject to change without notice. Be sure to use the latest version of each document for designing.

[MEMO]

[MEMO]

[MEMO]

**NOTES FOR CMOS DEVICES****① PRECAUTION AGAINST ESD FOR SEMICONDUCTORS**

Note:

Strong electric field, when exposed to a MOS device, can cause destruction of the gate oxide and ultimately degrade the device operation. Steps must be taken to stop generation of static electricity as much as possible, and quickly dissipate it once, when it has occurred. Environmental control must be adequate. When it is dry, humidifier should be used. It is recommended to avoid using insulators that easily build static electricity. Semiconductor devices must be stored and transported in an anti-static container, static shielding bag or conductive material. All test and measurement tools including work bench and floor should be grounded. The operator should be grounded using wrist strap. Semiconductor devices must not be touched with bare hands. Similar precautions need to be taken for PW boards with semiconductor devices on it.

**② HANDLING OF UNUSED INPUT PINS FOR CMOS**

Note:

No connection for CMOS device inputs can be cause of malfunction. If no connection is provided to the input pins, it is possible that an internal input level may be generated due to noise, etc., hence causing malfunction. CMOS devices behave differently than Bipolar or NMOS devices. Input levels of CMOS devices must be fixed high or low by using a pull-up or pull-down circuitry. Each unused pin should be connected to  $V_{DD}$  or GND with a resistor, if it is considered to have a possibility of being an output pin. All handling related to the unused pins must be judged device by device and related specifications governing the devices.

**③ STATUS BEFORE INITIALIZATION OF MOS DEVICES**

Note:

Power-on does not necessarily define initial status of MOS device. Production process of MOS does not define the initial operation status of the device. Immediately after the power source is turned ON, the devices with reset function have not yet been initialized. Hence, power-on does not guarantee out-pin levels, I/O settings or contents of registers. Device is not initialized until the reset signal is received. Reset operation must be executed immediately after power-on for devices having reset function.

**EEPROM and FIP are trademarks of NEC Corporation.**

**Windows is either a registered trademark or a trademark of Microsoft Corporation in the United States and/or other countries.**

**PC/AT is a trademark of International Business Machines Corporation.**

**HP9000 series 700 and HP-UX are trademarks of Hewlett-Packard Company.**

**SPARCstation is a trademark of SPARC International, Inc.**

**Solaris and SunOS are trademarks of Sun Microsystems, Inc.**

## Regional Information

Some information contained in this document may vary from country to country. Before using any NEC product in your application, please contact the NEC office in your country to obtain a list of authorized representatives and distributors. They will verify:

- Device availability
- Ordering information
- Product release schedule
- Availability of related technical literature
- Development environment specifications (for example, specifications for third-party tools and components, host computers, power plugs, AC supply voltages, and so forth)
- Network requirements

In addition, trademarks, registered trademarks, export restrictions, and other legal issues may also vary from country to country.

### **NEC Electronics Inc. (U.S.)**

Santa Clara, California  
Tel: 408-588-6000  
800-366-9782  
Fax: 408-588-6130  
800-729-9288

### **NEC do Brasil S.A.**

Electron Devices Division  
Guarulhos-SP, Brasil  
Tel: 11-6462-6810  
Fax: 11-6462-6829

### **NEC Electronics (Europe) GmbH**

Duesseldorf, Germany  
Tel: 0211-65 03 01  
Fax: 0211-65 03 327

- Branch The Netherlands  
Eindhoven, The Netherlands  
Tel: 040-244 58 45  
Fax: 040-244 45 80

- Branch Sweden  
Taebby, Sweden  
Tel: 08-63 80 820  
Fax: 08-63 80 388

- Filiale Italiana  
Milano, Italy  
Tel: 02-667541  
Fax: 02-66754299

### **NEC Electronics (France) S.A.**

Vélizy-Villacoublay, France  
Tel: 01-3067-58-00  
Fax: 01-3067-58-99

### **NEC Electronics (France) S.A. Representación en España**

Madrid, Spain  
Tel: 091-504-27-87  
Fax: 091-504-28-60

### **NEC Electronics (UK) Ltd.**

Milton Keynes, UK  
Tel: 01908-691-133  
Fax: 01908-670-290

### **NEC Electronics Hong Kong Ltd.**

Hong Kong  
Tel: 2886-9318  
Fax: 2886-9022/9044

### **NEC Electronics Hong Kong Ltd.**

Seoul Branch  
Seoul, Korea  
Tel: 02-528-0303  
Fax: 02-528-4411

### **NEC Electronics Shanghai, Ltd.**

Shanghai, P.R. China  
Tel: 021-6841-1138  
Fax: 021-6841-1137

### **NEC Electronics Taiwan Ltd.**

Taipei, Taiwan  
Tel: 02-2719-2377  
Fax: 02-2719-5951

### **NEC Electronics Singapore Pte. Ltd.**

Novena Square, Singapore  
Tel: 253-8311  
Fax: 250-3583

- **The information in this document is current as of January, 2002. The information is subject to change without notice. For actual design-in, refer to the latest publications of NEC's data sheets or data books, etc., for the most up-to-date specifications of NEC semiconductor products. Not all products and/or types are available in every country. Please check with an NEC sales representative for availability and additional information.**
- No part of this document may be copied or reproduced in any form or by any means without prior written consent of NEC. NEC assumes no responsibility for any errors that may appear in this document.
- NEC does not assume any liability for infringement of patents, copyrights or other intellectual property rights of third parties by or arising from the use of NEC semiconductor products listed in this document or any other liability arising from the use of such products. No license, express, implied or otherwise, is granted under any patents, copyrights or other intellectual property rights of NEC or others.
- Descriptions of circuits, software and other related information in this document are provided for illustrative purposes in semiconductor product operation and application examples. The incorporation of these circuits, software and information in the design of customer's equipment shall be done under the full responsibility of customer. NEC assumes no responsibility for any losses incurred by customers or third parties arising from the use of these circuits, software and information.
- While NEC endeavours to enhance the quality, reliability and safety of NEC semiconductor products, customers agree and acknowledge that the possibility of defects thereof cannot be eliminated entirely. To minimize risks of damage to property or injury (including death) to persons arising from defects in NEC semiconductor products, customers must incorporate sufficient safety measures in their design, such as redundancy, fire-containment, and anti-failure features.
- NEC semiconductor products are classified into the following three quality grades:  
"Standard", "Special" and "Specific". The "Specific" quality grade applies only to semiconductor products developed based on a customer-designated "quality assurance program" for a specific application. The recommended applications of a semiconductor product depend on its quality grade, as indicated below. Customers must check the quality grade of each semiconductor product before using it in a particular application.
  - "Standard": Computers, office equipment, communications equipment, test and measurement equipment, audio and visual equipment, home electronic appliances, machine tools, personal electronic equipment and industrial robots
  - "Special": Transportation equipment (automobiles, trains, ships, etc.), traffic control systems, anti-disaster systems, anti-crime systems, safety equipment and medical equipment (not specifically designed for life support)
  - "Specific": Aircraft, aerospace equipment, submersible repeaters, nuclear reactor control systems, life support systems and medical equipment for life support, etc.

The quality grade of NEC semiconductor products is "Standard" unless otherwise expressly specified in NEC's data sheets or data books, etc. If customers wish to use NEC semiconductor products in applications not intended by NEC, they must contact an NEC sales representative in advance to determine NEC's willingness to support a given application.

(Note)

- (1) "NEC" as used in this statement means NEC Corporation and also includes its majority-owned subsidiaries.
- (2) "NEC semiconductor products" means any semiconductor product developed or manufactured by or for NEC (as defined above).