

## V853™

## 32/16-BIT SINGLE-CHIP MICROCONTROLLER

The  $\mu$ PD703003 is a member of the V850 Family™ of 32-bit single-chip microcontrollers designed for real-time control operations. This microcontroller provides on-chip features, including a 32-bit CPU core, ROM, RAM, interrupt controller, real-time pulse unit, a serial interface, an A/D converter, a D/A converter, and PWM signal units.

See the following manuals for a detailed description of this product's functions. Be sure to use these manuals as a reference for design.

V853 USER'S MANUAL, HARDWARE:	U10913E
V850 FAMILY USER'S MANUAL, ARCHITECTURE:	U10243E

## FEATURES

- Number of instructions: 74
- Minimum instruction execution time  
30 ns (during 33-MHz operation)
- General registers  
32 bits  $\times$  32 registers
- Instruction set optimized for control applications
- On-chip memory ROM: 128 Kbytes  
RAM: 4 Kbytes
- Advanced on-chip interrupt controller
- Real-time pulse unit suitable for control operations
- Powerful serial interface (on-chip dedicated baud rate generator)
- On-chip clock generator
- 10-bit resolution A/D converter: 8 channels
- 8-bit resolution D/A converter: 2 channels
- 8/9/10/12-bit resolution PWM: 2 channels
- Power saving functions

## APPLICATIONS

- AV: Video cameras, VCRs, etc.
- Office equipment: PPCs, LBPs, printers, etc.
- Industrial equipment: motor controllers, NC machine tools, etc.
- Communications equipment: Mobile telephones, etc.

The information in this document is subject to change without notice. Before using this document, please confirm that this is the latest version.  
Not all devices/types available in every country. Please check with local NEC representative for availability and additional information.

ORDERING INFORMATION

Part Number	Package	Maximum operating frequency (MHz)
μPD703003GC-25-xxx-7EA	100-pin plastic QFP (fine pitch) (14 × 14 mm)	25
μPD703003GC-33-xxx-7EA	100-pin plastic QFP (fine pitch) (14 × 14 mm)	33

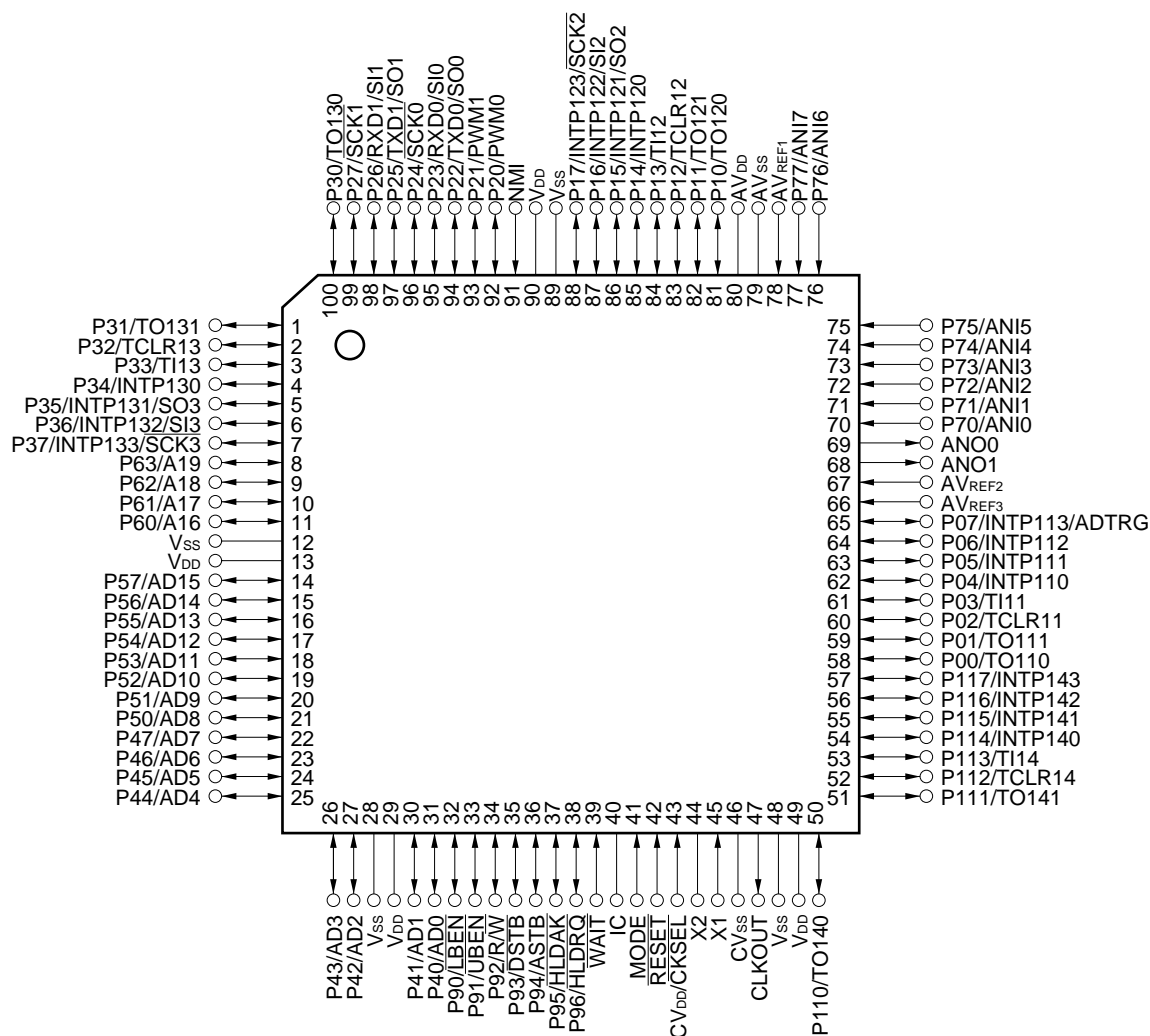
Remark "xxx" indicates ROM code suffix.

PIN CONFIGURATION

- 100-Pin Plastic QFP (fine pitch) (14 × 14 mm)

μPD703003GC-25-xxx-7EA

μPD703003GC-33-xxx-7EA



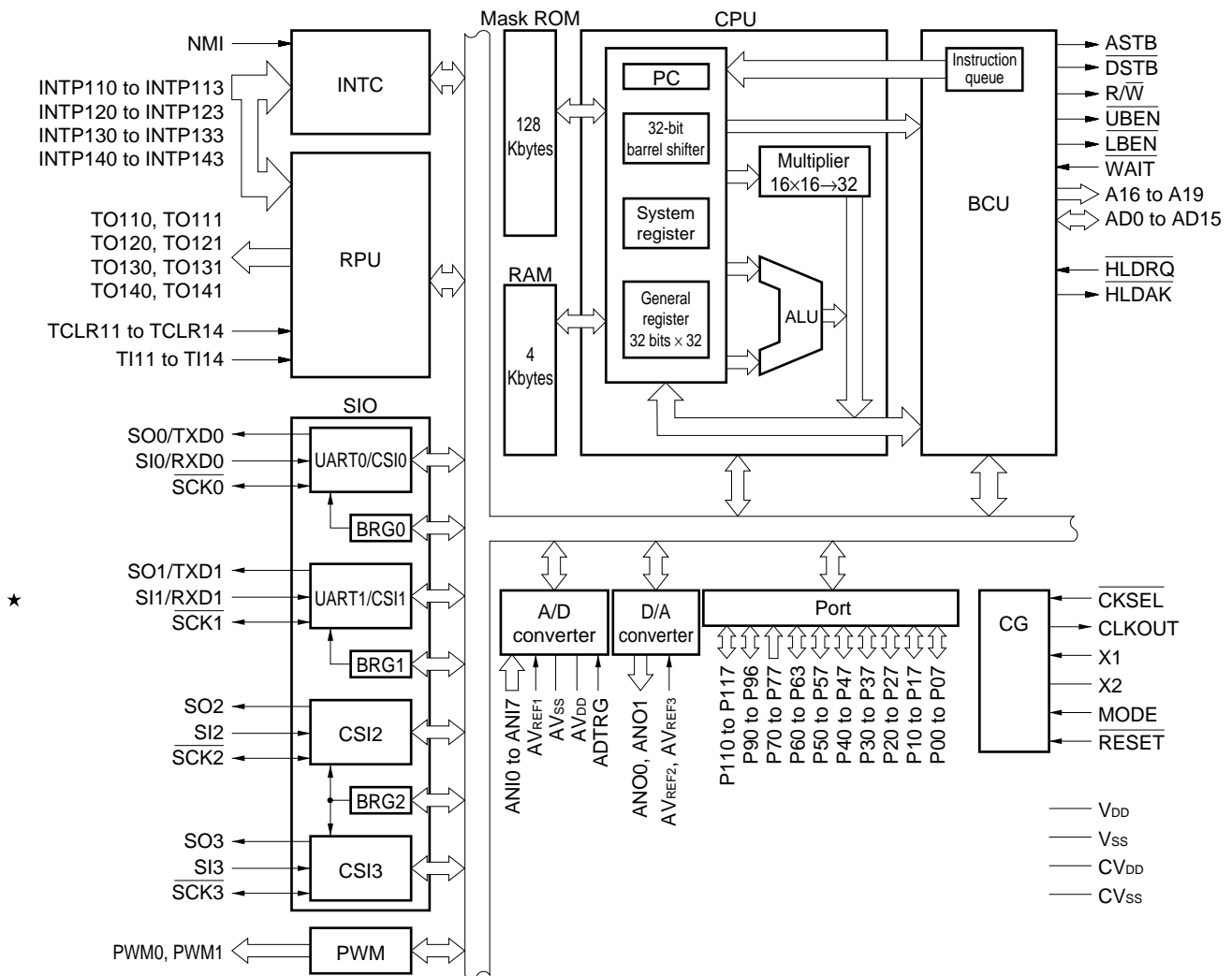
★

Caution Connect the IC pin directly to V<sub>ss</sub>.

**PIN NAMES**

A16 to A19	: Address Bus	P30 to P37	: Port3
AD0 to AD15	: Address/Data Bus	P40 to P47	: Port4
ADTRG	: AD Trigger Input	P50 to P57	: Port5
ANI0 to ANI7	: Analog Input	P60 to P63	: Port6
ANO0, ANO1	: Analog Output	P70 to P77	: Port7
ASTB	: Address Strobe	P90 to P96	: Port9
AV <sub>DD</sub>	: Analog V <sub>DD</sub>	P110 to P117	: Port11
AV <sub>REF1</sub> to AV <sub>REF3</sub>	: Analog Reference Voltage	PWM0, PWM1	: Pulse Width Modulation
AV <sub>SS</sub>	: Analog V <sub>SS</sub>	RESET	: Reset
CV <sub>DD</sub>	: Power Supply for Clock Generator	R/W	: Read/Write Status
CV <sub>SS</sub>	: Ground for Clock Generator	RXD0, RXD1	: Receive Data
CKSEL	: Clock Select	SCK0 to SCK3	: Serial Clock
CLKOUT	: Clock Output	SI0 to SI3	: Serial Input
DSTB	: Data Strobe	SO0 to SO3	: Serial Output
HLD <sub>AK</sub>	: Hold Acknowledge	TO110, TO111,	: Timer Output
HLD <sub>RQ</sub>	: Hold Request	TO120, TO121,	
IC	: Internally Connected	TO130, TO131,	
INTP110 to INTP113,	: Interrupt Request from Peripherals	TO140, TO141	
INTP120 to INTP123,		TCLR11 to TCLR14	: Timer Clear
INTP130 to INTP133,		TI11 to TI14	: Timer Input
INTP140 to INTP143		TXD0, TXD1	: Transmit Data
LBEN	: Lower Byte Enable	UBEN	: Upper Byte Enable
MODE	: Mode	WAIT	: Wait
NMI	: Non-maskable Interrupt Request	X1, X2	: Crystal
P00 to P07	: Port0	V <sub>DD</sub>	: Power Supply
P10 to P17	: Port1	V <sub>SS</sub>	: Ground
P20 to P27	: Port2		

INTERNAL BLOCK DIAGRAM



CONTENTS

1. DIFFERENCES AMONG PRODUCTS ..... 6

2. LIST OF PIN FUNCTIONS ..... 7

    2.1 Port Pins ..... 7

    2.2 Non-port Pins ..... 9

    2.3 I/O Circuits of Pins and Processing of Unused Pins ..... 11

3. FUNCTION BLOCKS ..... 14

    3.1 Internal Units ..... 14

4. CPU FUNCTIONS ..... 16

5. BUS CONTROL FUNCTIONS ..... 17

6. INTERRUPT/EXCEPTION HANDLING FUNCTIONS ..... 18

7. CLOCK GENERATION FUNCTIONS ..... 21

8. TIMER/COUNTER FUNCTIONS (REAL-TIME PULSE UNIT) ..... 22

9. SERIAL INTERFACE FUNCTIONS (SIO) ..... 24

    9.1 Asynchronous Serial Interface 0, 1 (UART0, UART1) ..... 24

    9.2 Clock-synchronized Serial Interface 0 to 3 (CSI0 to CSI3) ..... 26

    9.3 Baud Rate Generator 0 to 2 (BRG0 to BRG2) ..... 28

10. PWM UNIT ..... 29

11. A/D CONVERTER ..... 30

12. D/A CONVERTER ..... 31

13. PORT FUNCTIONS ..... 32

14. RESET FUNCTIONS ..... 45

15. INSTRUCTION SET ..... 46

16. ELECTRICAL SPECIFICATIONS ..... 53

17. PACKAGE DRAWINGS ..... 77

18. RECOMMENDED SOLDERING CONDITIONS ..... 78

★ 1. DIFFERENCES AMONG PRODUCTS

Item			μPD703003	μPD703003A	μPD703004A	μPD703025A	μPD70F3003	μPD70F3003A	μPD70F3025A	
Internal ROM			Mask ROM				Flash memory			
			128 Kbytes		96 Kbytes	256 Kbytes	128 Kbytes		256 Kbytes	
Internal RAM			4 Kbytes			8 Kbytes	4 Kbytes		8 Kbytes	
Operation mode	Normal operation mode	Single-chip mode	Implemented							
		ROM-less mode	Implemented	Not implemented			Implemented	Not implemented		
	Flash memory programming mode		Not implemented				Implemented			
V <sub>PP</sub> pin			Not implemented				Implemented			
Value of CKC register when reset			00H	MODE = 0 : 03H MODE = 1 : 00H			00H	MODE = 0 : 03H MODE = 1 : 00H		
Electrical specifications			Power consumption levels vary (see specific product's data sheet).							
Others			Noise tolerance and noise emission vary, depending on the circuit scale and mask layout.							

2. LIST OF PIN FUNCTIONS

2.1 Port Pins

(1/2)

Pin Name	I/O	Function	Alternate Function Pin
P00	I/O	Port 0 8-bit I/O port Input/output mode can be specified bitwise	TO110
P01			TO111
P02			TCLR11
P03			TI11
P04			INTP110
P05			INTP111
P06			INTP112
P07			INTP113/ADTRG
P10	I/O	Port 1 8-bit I/O port Input/output mode can be specified bitwise	TO120
P11			TO121
P12			TCLR12
P13			TI12
P14			INTP120
P15			INTP121/SO2
P16			INTP122/SI2
P17			INTP123/SCK2
P20	I/O	Port 2 8-bit I/O port Input/output mode can be specified bitwise	PWM0
P21			PWM1
P22			TXD0/SO0
P23			RXD0/SI0
P24			SCK0
P25			TXD1/SO1
P26			RXD1/SI1
P27			SCK1
P30	I/O	Port 3 8-bit I/O port Input/output mode can be specified bitwise	TO130
P31			TO131
P32			TCLR13
P33			TI13
P34			INTP130
P35			INTP131/SO3
P36			INTP132/SI3
P37			INTP133/SCK3
P40 to P47	I/O	Port 4 8-bit I/O port Input/output mode can be specified bitwise	AD0 to AD7
P50 to P57	I/O	Port 5 8-bit I/O port Input/output mode can be specified bitwise	AD8 to AD15

(2/2)

Pin Name	I/O	Function	Alternate Function Pin
P60 to P63	I/O	Port 6 4-bit I/O port Input/output mode can be specified bitwise	A16 to A19
P70 to P77	Input	Port 7 8-bit input port	ANI0 to ANI7
P90	I/O	Port 9 7-bit I/O port Input/output mode can be specified bitwise	$\overline{\text{LBEN}}$
P91			$\overline{\text{UBEN}}$
P92			$\overline{\text{R/W}}$
P93			$\overline{\text{DSTB}}$
P94			$\overline{\text{ASTB}}$
P95			$\overline{\text{HLDK}}$
P96			$\overline{\text{HLDRQ}}$
P110	I/O	Port 11 8-bit I/O port Input/output mode can be specified bitwise	TO140
P111			TO141
P112			TCLR14
P113			TI14
P114			INTP140
P115			INTP141
P116			INTP142
P117			INTP143



2.2 Non-port Pins

(1/2)

Pin Name	I/O	Function	Alternate Function Pin
TO110	Output	Pulse signal output from timers 11 to 14	P00
TO111			P01
TO120			P10
TO121			P11
TO130			P30
TO131			P31
TO140			P110
TO141			P111
TCLR11	Input	External clear signal input for timers 11 to 14	P02
TCLR12			P12
TCLR13			P32
TCLR14			P112
TI11	Input	External count clock input for timers 11 to 14	P03
TI12			P13
TI13			P33
TI14			P113
INTP110	Input	External maskable interrupt request input, shared as external capture trigger input for timer 11	P04
INTP111			P05
INTP112			P06
INTP113			P07/ADTRG
INTP120	Input	External maskable interrupt request input, shared as external capture trigger input for timer 12	P14
INTP121			P15/SO2
INTP122			P16/SI2
INTP123			P17/SCK2
INTP130	Input	External maskable interrupt request input, shared as external capture trigger input for timer 13	P34
INTP131			P35/SO3
INTP132			P36/SI3
INTP133			P37/SCK3
INTP140	Input	External maskable interrupt request input, shared as external capture trigger input for timer 14	P114
INTP141			P115
INTP142			P116
INTP143			P117
SO0	Output	Serial transmit data output (3-wire) for CSI0 to CSI3	P22/TXD0
SO1			P25/TXD1
SO2			P15/INTP121
SO3			P35/INTP131
SI0	Input	Serial receive data input (3-wire) for CSI0 to CSI3	P23/RXD0
SI1			P26/RXD1
SI2			P16/INTP122
SI3			P36/INTP132

(2/2)

Pin Name	I/O	Function	Alternate Function Pin
SCK0	I/O	Serial clock I/O (3-wire) for CSI0 to CSI3	P24
SCK1			P27
SCK2			P17/INTP123
SCK3			P37/INTP133
TXD0	Output	Serial transmit data output for UART0 and UART1	P22/SO0
TXD1			P25/SO1
RXD0	Input	Serial receive data input for UART0 and UART1	P23/SI0
RXD1			P26/SI1
PWM0	Output	PWM pulse signal output	P20
PWM1			P21
AD0 to AD7	I/O	16-bit multiplexed address/data bus for external memory expansion	P40 to P47
AD8 to AD15			P50 to P57
A16 to A19	Output	High-order address bus used for external memory expansion	P60 to P63
LBEN	Output	External data bus's low-order byte enable signal output	P90
UBEN		External data bus's high-order byte enable signal output	P91
R/W	Output	External read/write status output	P92
DSTB		External data strobe signal output	P93
ASTB		External address strobe signal output	P94
HLDAK	Output	Bus hold acknowledge output	P95
HLDRQ	Input	Bus hold request input	P96
ANI0 to ANI7	Input	Analog input to A/D converter	P70 to P77
ANO0, ANO1	Output	Analog output to D/A converter	—
NMI	Input	Nonmaskable interrupt request input	—
CLKOUT	Output	System clock output	—
★ CKSEL	Input	Input for specifying clock generator's operation mode	CV <sub>DD</sub>
WAIT	Input	Control signal input for inserting wait in bus cycle	—
MODE	Input	Operation mode select	—
RESET	Input	System reset input	—
X1	Input	Oscillator connection for system clock. Input is via X1 when using an external clock.	—
X2	—		—
ADTRG	Input	A/D converter external trigger input	P07/INTP113
AV <sub>REF1</sub>	Input	Reference voltage input for A/D converter	—
AV <sub>REF2</sub>	Input	Reference voltage input for D/A converter	—
AV <sub>REF3</sub>			—
AV <sub>DD</sub>	—	Positive power supply for A/D converter	—
AV <sub>SS</sub>	—	Ground potential for A/D converter	—
★ CV <sub>DD</sub>	—	Positive power supply for on-chip clock generator	CKSEL
CV <sub>SS</sub>	—	Ground potential for on-chip clock generator	—
V <sub>DD</sub>	—	Positive power supply	—
V <sub>SS</sub>	—	Ground potential	—
IC	—	Internally connected pin (connect directly to V <sub>SS</sub> )	—

**2.3 I/O Circuits of Pins and Processing of Unused Pins**

Table 2-1 lists I/O circuit type of respective pins and processing method (recommended connection method) when not used. Figure 2-1 illustrates the various circuit types using partially abridged diagrams.

When connecting to V<sub>DD</sub> or V<sub>SS</sub> via a resistor, a resistance value in the range of 1 to 10 kΩ is recommended.

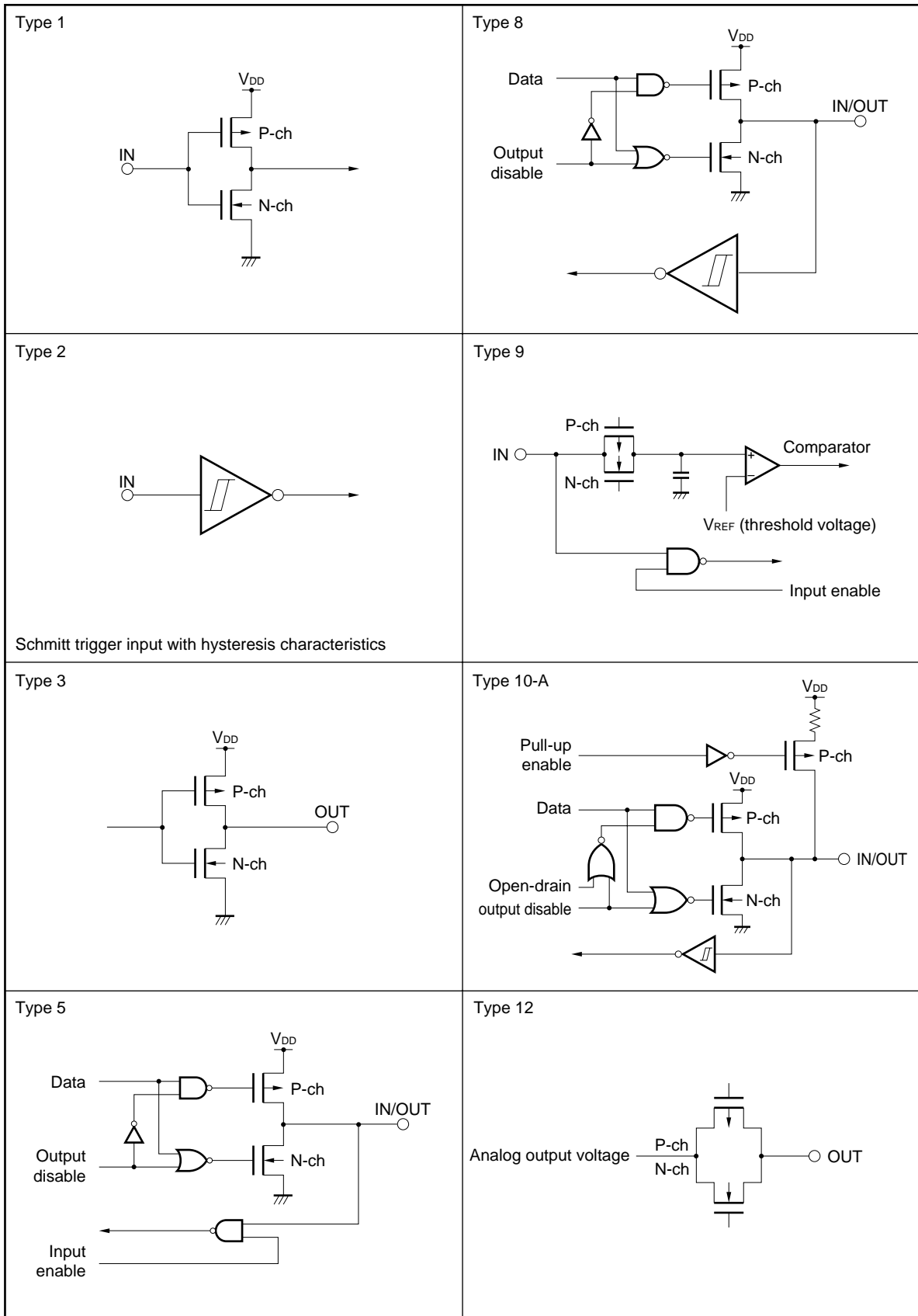
**Table 2-1. I/O Circuits of Pins and Processing of Unused Pins (1/2)**

Pin	I/O Circuit Type	Recommended Connection Method	
P00/TO110, P01/TO111	5	Input: Connect to V <sub>DD</sub> or V <sub>SS</sub> separately via a resistor Output: Leave open	
P02/TCLR11, P03/TI11, P04/INTP110 to P07/INTP113/ADTRG	8		
P10/TO120, P11/TO121	5		
P12/TCLR12, P13/TI12 P14/INTP120 P15/INTP121/SO2 P16/INTP122/SI2 P17/INTP123/SCK2	8		
P20/PWM0, P21/PWM1 P22/TXD0/SO0	5		
P23/RXD0/SI0, P24/SCK0	8		
P25/TXD1/SO1	5		
P26/RXD1/SI1, P27/SCK1	8		
P30/TO130, P31/TO131	5		
P32/TCLR13, P33/TI13 P34/INTP130	8		
P35/INTP131/SO3 P36/INTP132/SI3 P37/INTP133/SCK3	10-A	Connect directly to V <sub>SS</sub>	
P40/AD0 to P47/AD7	5		
P50/AD8 to P57/AD15			
P60/A16 to P63/A19			
P70/ANI0 to P77/ANI7	9		
P90/LBEN	5		Input: Connect to V <sub>DD</sub> or V <sub>SS</sub> separately via a resistor Output: Leave open
P91/UBEN			
P92/R/W			
P93/DSTB			
P94/ASTB			
P95/HLDAK			
P96/HLDRQ			
P110/TO140, P111/TO141			
P112/TCLR14, P113/TI14 P114/INTP140 to P117/INTP143	8		
ANO0, ANO1	12	Leave open	
NMI	2	Connect directly to V <sub>SS</sub>	

Table 2-1. I/O Circuits of Pins and Processing of Unused Pins (2/2)

Pin	I/O Circuit Type	Recommended Connection Method
CLKOUT	3	Leave open
WAIT	1	Connect directly to V <sub>DD</sub>
MODE	2	—
RESET		
★ CV <sub>DD</sub> /CKSEL		
AV <sub>REF1</sub> to AV <sub>REF3</sub> , AV <sub>SS</sub>	—	Connect directly to V <sub>SS</sub>
AV <sub>DD</sub>	—	Connect directly to V <sub>DD</sub>
IC	—	Connect directly to V <sub>SS</sub>

Figure 2-1. I/O Circuits of Pins



### 3. FUNCTION BLOCKS

#### 3.1 Internal Units

##### 3.1.1 CPU

The CPU uses five-stage pipeline control to enable single-clock execution of address calculations, arithmetic logic operations, data transfers, and almost all other instruction processing.

Other dedicated on-chip hardware, such as the multiplier (16 bits  $\times$  16 bits) and the barrel shifter (32 bits) help accelerate processing of complex instructions.

##### 3.1.2 Bus control unit (BCU)

The BCU starts a required bus cycle based on the physical address obtained by the CPU. When an instruction is fetched from external memory space and the CPU does not send a bus cycle start request, the BCU generates a prefetch address and prefetches the instruction code. The prefetched instruction code is stored in a prefetch queue.

##### 3.1.3 ROM

ROM is mapped to the address space starting at 00000000H. The MODE pin can be used to select an access enable/disable setting. ROM can be accessed by the CPU in one clock cycle when an instruction is fetched.

##### 3.1.4 RAM

RAM is mapped to the address space starting at FFFFE000H. RAM can be accessed by the CPU in one clock cycle when data accessed.

##### 3.1.5 Ports

In addition to the 75 pins (port 0 to port 11) comprising I/O ports (of which eight pins comprise an input-only port), various port pin and control pin functions can be selected for these pins.

##### 3.1.6 Interrupt controller (INTC)

This controller handles hardware interrupt requests (NMI, INTP110 to INTP113, INTP120 to INTP123, INTP130 to INTP133, and INTP140 to INTP143) from on-chip peripheral hardware and external hardware. Eight interrupt priority levels can be specified for these interrupt requests, and multiplexed servicing control can be performed for interrupt sources.

##### 3.1.7 Clock generator (CG)

An on-chip PLL enables the CPU operating clock to be supplied to resonators connected to pins X1 and X2 at 5 $\times$  frequency, 1 $\times$  frequency, and 1/2 $\times$  frequency. It can also be connected to an external clock instead of to the resonator.

##### 3.1.8 Real-time pulse unit (RPU)

The RPU includes a four-channel 16-bit timer/event counter and a one-channel 16-bit interval timer, which enables measurement of pulse intervals and frequency as well as programmable pulse output.

### 3.1.9 Serial interface (SIO)

Four channels are comprised of two kinds of serial interfaces: an asynchronous serial interface (UART) and a clock-synchronized serial interface (CSI). Two of these four channels are switchable between the UART and CSI and the other two channels are fixed as CSI.

For UART, data is transferred via the TXD and RXD pins. The baud rate is determined by the on-chip baud rate generator. For CSI, data is transferred via the SO, SI, and  $\overline{\text{SCK}}$  pins. The baud rate can be determined by the on-chip baud rate generator or it can be supplied from an external source.

One of the two CSI-fixed channels is used as the serial clock output, and serial output is sent via an N-ch open drain output.

### 3.1.10 Pulse width modulation (PWM)

There are two channels of selectable 8/9/10/12-bit resolution PWM signal outputs. When a low pass filter is externally connected, PWM output can be used as D/A converter output. This is suitable for actuator control applications, such as in motors.

### 3.1.11 A/D converter (ADC)

This is a high-speed, high-resolution 10-bit A/D converter that includes eight analog input pins. It converts using the sequential conversion method.

### 3.1.12 D/A converter (DAC)

This is an 8-bit resolution D/A converter that includes two channels. It converts using the R-2R conversion method.

#### 4. CPU FUNCTIONS

The CPU employs a RISC-based architecture and uses five-stage pipeline control to enable single-clock execution of almost all instructions.

The features of the CPU functions are shown below.

- Minimum instruction execution time  
30 ns (during internal 33-MHz operation)
- Address space: 16-Mbyte linear
- General registers: 32 bits  $\times$  32 registers
- Internal 32-bit architecture
- 5-stage pipeline control
- Multiply/divide instructions
- Saturated operation instructions
- 32-bit shift instruction: 1 clock
- Long/short format
- Four types of bit manipulation instructions
  - Set
  - Clear
  - Not
  - Test



## 5. BUS CONTROL FUNCTIONS

The features of the bus control functions are shown below.

- Shared as port pins, connectable to external device
- Wait functions
  - Programmable wait function for up to three states per two blocks
  - External wait function using  $\overline{\text{WAIT}}$  pin
- Idle state insertion function
- Bus mastering arbitration function
- Bus hold function

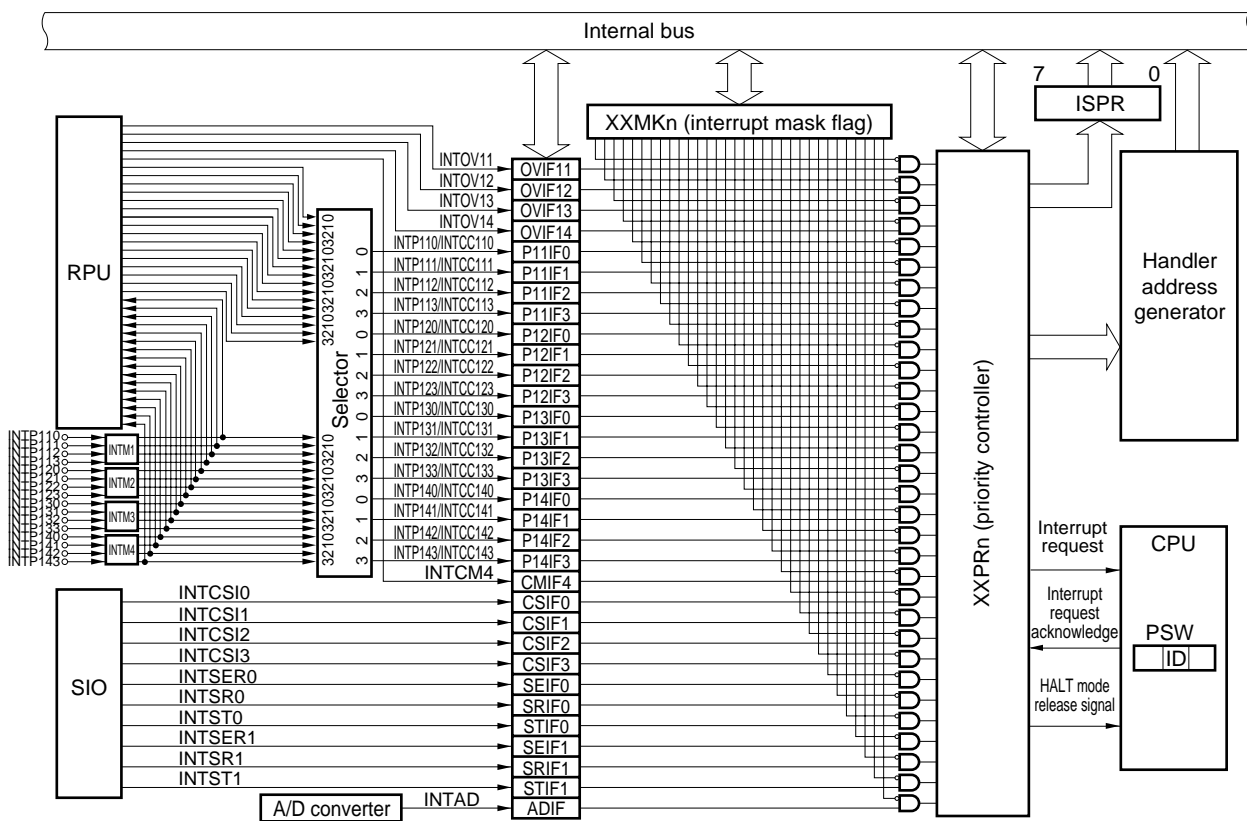
### 6. INTERRUPT/EXCEPTION HANDLING FUNCTIONS

The features of the interrupt/exception handling functions are shown below.

- Interrupts
  - Nonmaskable interrupt: 1 source
  - Maskable interrupt: 32 sources
  - 8-level programmable priority control
  - Multiple interrupt control based on priority levels
  - Mask specification for each maskable interrupt request
  - Noise elimination, edge detection, and valid edge specification for external interrupt requests
- Exceptions
  - Software exceptions: 32 sources
  - Exception trap: 1 source (invalid instruction code exception)

The configuration of the interrupt/exception handling functions is shown below.

Figure 6-1. Block Diagram of Maskable Interrupt



XX: Name of peripheral unit (OV, P11 to P14, CM, CS, SE, SR, ST, AD)  
 n: Peripheral unit number (if none exists, then 0 to 4 or 11 to 14)

Interrupt/exception sources are shown in Table 6-1.

**Table 6-1. List of Interrupts (1/2)**

Type	Category	Interrupt/Exception Source				Default Priority Level	Exception Code	Handler Address	Restored PC
		Name	Control Register	Trigger Source	Unit				
Reset	Interrupt	RESET	—	Reset input	—	—	0000H	00000000H	Undefined
Nonmaskable	Interrupt	NMI	—	NMI input	—	—	0010H	00000010H	nextPC
Software exception	Exception	TRAP0n <sup>Note</sup>	—	TRAP instruction	—	—	004nH <sup>Note</sup>	00000040H	nextPC
	Exception	TRAP1n <sup>Note</sup>	—	TRAP instruction	—	—	005nH <sup>Note</sup>	00000050H	nextPC
Exception trap	Exception	ILGOP	—	Undefined instruction code	—	—	0060H	00000060H	nextPC
Maskable	Interrupt	INTOV11	OVIC11	Timer 11 overflow	RPU	0	0080H	00000080H	nextPC
	Interrupt	INTOV12	OVIC12	Timer 12 overflow	RPU	1	0090H	00000090H	nextPC
	Interrupt	INTOV13	OVIC13	Timer 13 overflow	RPU	2	00A0H	000000A0H	nextPC
	Interrupt	INTOV14	OVIC14	Timer 14 overflow	RPU	3	00B0H	000000B0H	nextPC
	Interrupt	INTP110/INTCC110	P11IC0	Match between INTP110 and CC110	Pin/RPU	4	00C0H	000000C0H	nextPC
	Interrupt	INTP111/INTCC111	P11IC1	Match between INTP111 and CC111	Pin/RPU	5	00D0H	000000D0H	nextPC
	Interrupt	INTP112/INTCC112	P11IC2	Match between INTP112 and CC112	Pin/RPU	6	00E0H	000000E0H	nextPC
	Interrupt	INTP113/INTCC113	P11IC3	Match between INTP113 and CC113	Pin/RPU	7	00F0H	000000F0H	nextPC
	Interrupt	INTP120/INTCC120	P12IC0	Match between INTP120 and CC120	Pin/RPU	8	0100H	00000100H	nextPC
	Interrupt	INTP121/INTCC121	P12IC1	Match between INTP121 and CC121	Pin/RPU	9	0110H	00000110H	nextPC
	Interrupt	INTP122/INTCC122	P12IC2	Match between INTP122 and CC122	Pin/RPU	10	0120H	00000120H	nextPC
	Interrupt	INTP123/INTCC123	P12IC3	Match between INTP123 and CC123	Pin/RPU	11	0130H	00000130H	nextPC
	Interrupt	INTP130/INTCC130	P13IC0	Match between INTP130 and CC130	Pin/RPU	12	0140H	00000140H	nextPC
	Interrupt	INTP131/INTCC131	P13IC1	Match between INTP131 and CC131	Pin/RPU	13	0150H	00000150H	nextPC
	Interrupt	INTP132/INTCC132	P13IC2	Match between INTP132 and CC132	Pin/RPU	14	0160H	00000160H	nextPC
	Interrupt	INTP133/INTCC133	P13IC3	Match between INTP133 and CC133	Pin/RPU	15	0170H	00000170H	nextPC
	Interrupt	INTP140/INTCC140	P14IC0	Match between INTP140 and CC140	Pin/RPU	16	0180H	00000180H	nextPC
	Interrupt	INTP141/INTCC141	P14IC1	Match between INTP141 and CC141	Pin/RPU	17	0190H	00000190H	nextPC
	Interrupt	INTP142/INTCC142	P14IC2	Match between INTP142 and CC142	Pin/RPU	18	01A0H	000001A0H	nextPC
	Interrupt	INTP143/INTCC143	P14IC3	Match between INTP143 and CC143	Pin/RPU	19	01B0H	000001B0H	nextPC
	Interrupt	INTCM4	CMIC4	Signal matches CM4	RPU	20	01C0H	000001C0H	nextPC
	Interrupt	INTCSIO	CSIC0	CSIO send/receive completion	SIO	21	01D0H	000001D0H	nextPC
	Interrupt	INTCSI1	CSIC1	CSI1 send/receive completion	SIO	22	01E0H	000001E0H	nextPC
Interrupt	INTCSI2	CSIC2	CSI2 send/receive completion	SIO	23	01F0H	000001F0H	nextPC	

**Note** n represents a value between 0 and FH.

**Remarks 1.** Default priority: The default priority level is the level that takes precedence when multiple maskable interrupt requests having the same priority level occur at the same time. The highest priority level is level 0.

Restored PC: This is the PC value that is saved to EIPC or FEPC when interrupt or exception handling is activated. However, if an interrupt occurs during execution of the DIVH (divide) instruction, the recovered PC value is the PC value of the current instruction (DIVH).

**2.** The invalid instruction execution address can be obtained (using restored PC-4) when an invalid instruction code exception occurs.

**Table 6-1. List of Interrupts (2/2)**

Type	Category	Interrupt/Exception Source				Default Priority Level	Exception Code	Handler Address	Restored PC
		Name	Control Register	Trigger Source	Unit				
Maskable	Interrupt	INTCSI3	CSIC3	CSI3 transmit/receive completion	SIO	24	0200H	00000200H	nextPC
	Interrupt	INTSER0	SEIC0	UART0 receive error	SIO	25	0210H	00000210H	nextPC
	Interrupt	INTSR0	SRIC0	UART0 receive completion	SIO	26	0220H	00000220H	nextPC
	Interrupt	INTST0	STIC0	UART0 transmit completion	SIO	27	0230H	00000230H	nextPC
	Interrupt	INTSER1	SEIC1	UART1 receive error	SIO	28	0240H	00000240H	nextPC
	Interrupt	INTSR1	SRIC1	UART1 receive completion	SIO	29	0250H	00000250H	nextPC
	Interrupt	INTST1	STIC1	UART1 transmit completion	SIO	30	0260H	00000260H	nextPC
	Interrupt	INTAD	ADIC	A/D conversion completion	ADC	31	0270H	00000270H	nextPC

**Remarks 1.** Default priority: The default priority level is the level that takes precedence when multiple maskable interrupt requests having the same priority level occur at the same time. The highest priority level is level 0.

Restored PC: This is the PC value that is saved to EIPC or FEPC when interrupt or exception handling is started. However, if an interrupt occurs during execution of the DIVH (divide) instruction, the restored PC value is the PC value of the current instruction (DIVH).

2. The invalid instruction execution address can be obtained using (restored PC-4) when an invalid instruction code exception occurs.

## 7. CLOCK GENERATION FUNCTIONS

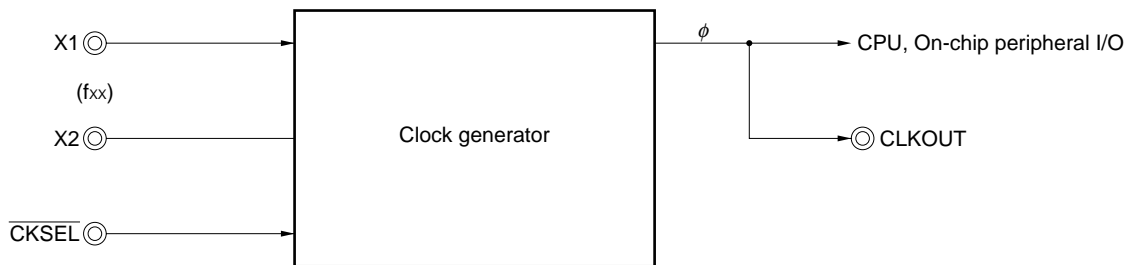
The features of the clock generation functions are shown below.

- Multiplier function using PLL clock synthesizer
- Clock sources
  - Oscillation via resonator connection (PLL mode):  $f_{xx} = \phi, 2 \times \phi, \phi/5$
  - External clock (PLL mode):  $f_{xx} = \phi, 2 \times \phi, \phi/5$
  - External clock (direct mode):  $f_{xx} = 2 \times \phi$
- Power saving control
  - HALT mode
  - IDLE mode
  - Software STOP mode
  - Clock output inhibit mode

The configuration of the clock generation functions is shown below.

★

**Figure 7-1. Block Diagram of Clock Generation Functions**



**Remark**  $\phi$  : internal system clock

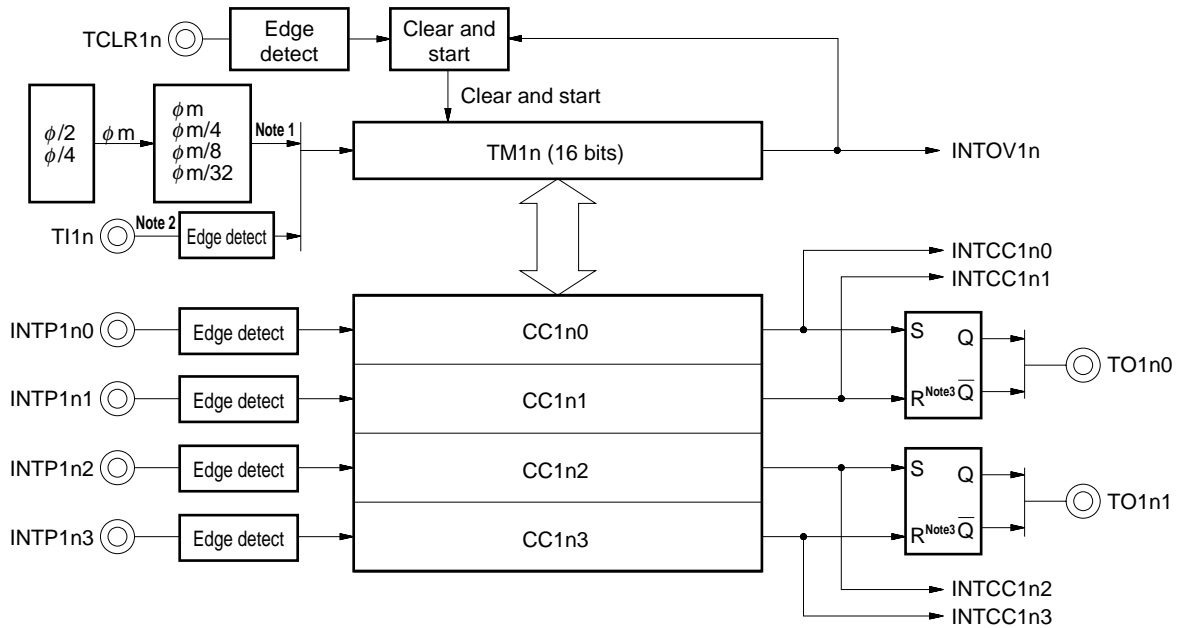
## 8. TIMER/COUNTER FUNCTIONS (REAL-TIME PULSE UNIT)

The features of the timer/counter functions are shown below.

- Measurement of pulse interval and frequency, programmable pulse output
  - 16-bit measurements enabled
  - Generates a variety of pulse patterns (interval pulse, one-shot pulse, etc.)
- Timer 1
  - 16-bit timer/event counter
  - Count clock sources: two types (selection of an internal system clock division, external pulse input)
  - Capture/compare (shared) registers: 16
  - Count clear pins: TCLR11 to TCLR14
  - Interrupt sources: 20 types
  - External pulse outputs: 8
- Timer 4
  - 16-bit interval timer
  - Count clock: selected from an internal system clock division
  - Compare register: 1
  - Interrupt sources: 1

The configurations of the timer/counter functions are shown below.

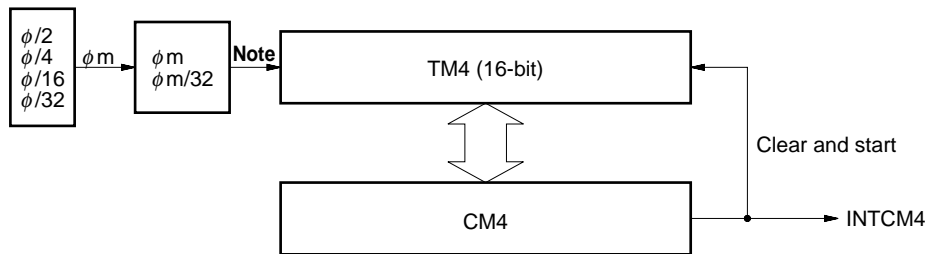
**Figure 8-1. Block Diagram of Timer 1 (16-bit timer/event counter)**



- Notes**
1. Internal count clock
  2. External count clock
  3. Priority to reset

**Remark**  $\phi$  : internal system clock  
 $n = 1$  to  $4$

**Figure 8-2. Block Diagram of Timer 4 (16-bit interval timer)**



**Note** Internal count clock

**Remark**  $\phi$  : Internal system clock

## 9. SERIAL INTERFACE FUNCTIONS (SIO)

Two types and six channels of serial interfaces are provided.  
Up to four channels may be used at the same time.

- (1) Asynchronous serial interfaces 0, 1 (UART0, UART1): 2 channels
- (2) Clock-synchronized serial interfaces 0 to 3 (CSI0 to CSI3): 4 channels

**Caution** UART0 and CSI0 are a shared pin, as are UART1 and CSI1. Either one can be selected via a register (ASIM00, ASIM10).

### 9.1 Asynchronous Serial Interfaces 0, 1 (UART0, UART1)

The features of the asynchronous serial interfaces 0, 1 (UART0, UART1) are shown below.

- Transfer rate
  - 150 bps to 76800 bps (@  $\phi$  = 33-MHz operation, using baud rate generator)
  - ★ 110 bps to 307200 bps (@  $\phi$  = 20-MHz operation, using baud rate generator)
  - ★ Maximum 1031 Kbytes (@  $\phi$  = 33-MHz operation, using  $\phi/2$ )
- Full duplex communications: Receive buffer (RXBn) included
- Two-pin configuration
  - TXDn: output pin for transmit data
  - RXDn: input pin for receive data
- Reception error detection function
  - Parity error
  - Framing error
  - Overrun error
- Three types of interrupt sources
  - Reception error interrupt (INTSERn)
  - Reception completion interrupt (INTSRn)
  - Transmission completion interrupt (INTSTn)
- The character length of transmit and receive data is specified via the ASIMn0, ASIMn1 register
- Character lengths: 7 or 8 bits, or 9 bits (if using expansion bit)
- Parity function: even, odd, zero, or no parity
- Transmission stop bits: 1 or 2 bits
- On-chip baud rate generator

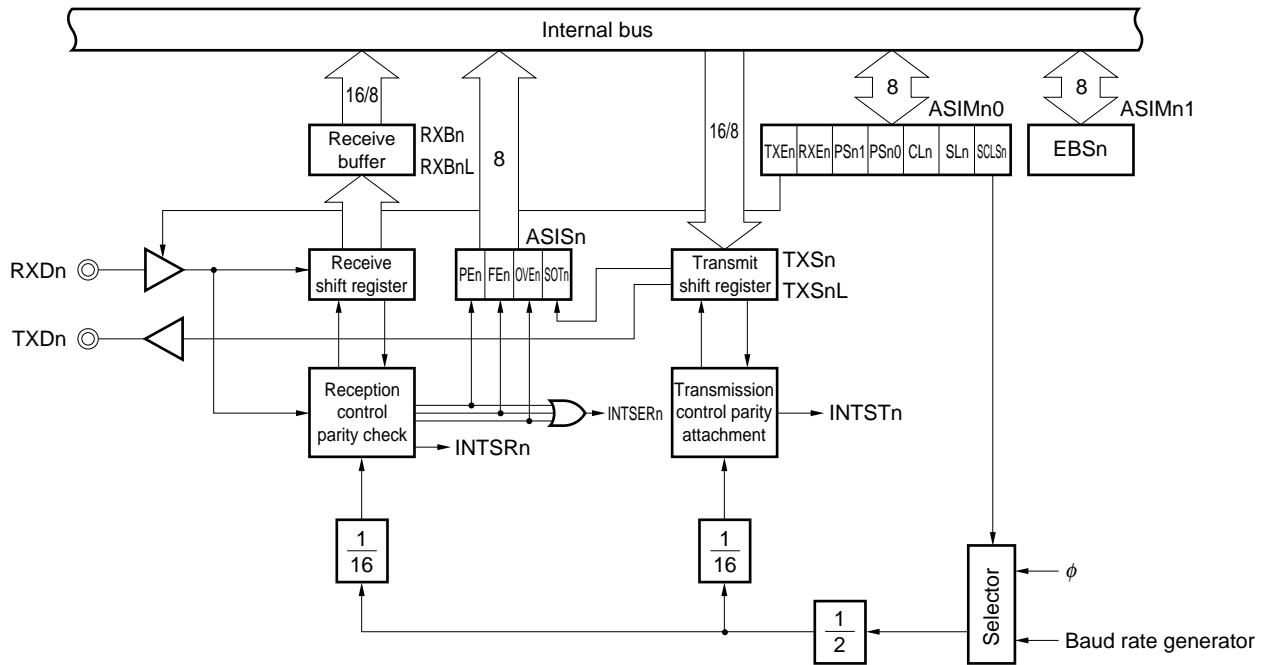
**Remark** n = 0, 1

$\phi$  : internal system clock



The configuration of the asynchronous serial interfaces 0, 1 (UART0, UART1) are shown below.

Figure 9-1. Block Diagram of Asynchronous Serial Interfaces 0, 1 (UART0, UART1)



Remark n = 0, 1

$\phi$  : internal system clock

## 9.2 Clock-synchronized Serial Interfaces 0 to 3 (CSI0 to CSI3)

The features of the clock-synchronized serial interfaces 0 to 3 (CSI0 to CSI3) are shown below.

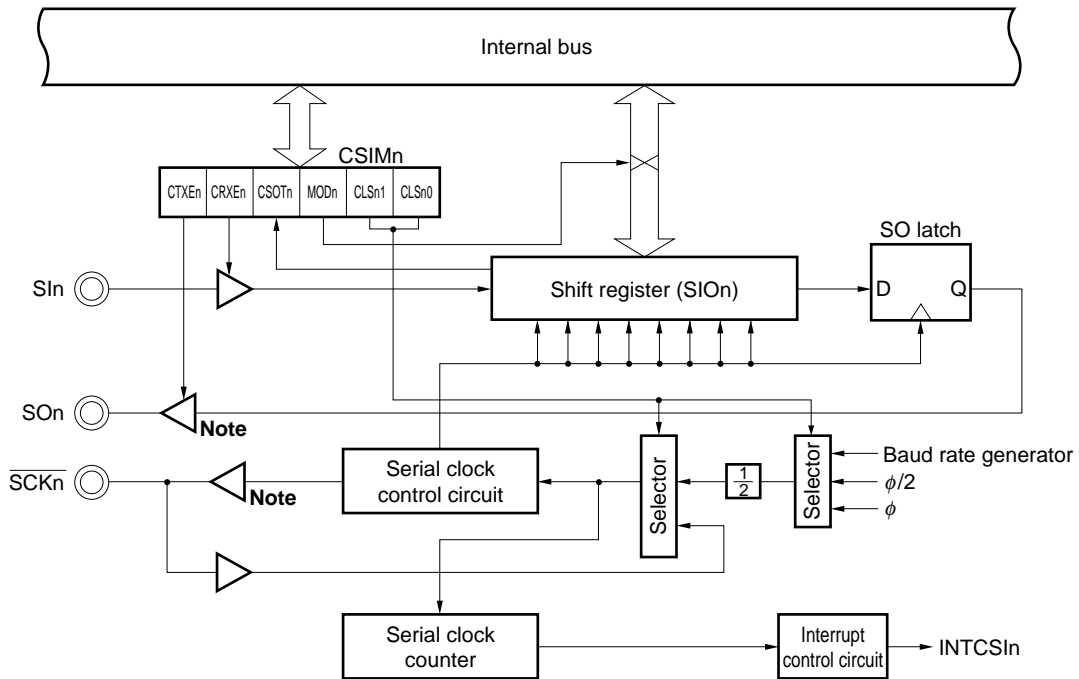
- Number of channels: 4 channels (CSIn)
- High-speed transfer  
MAX 8.25 Mbps (@  $\phi$  = 33-MHz operation)
- Half-duplex communications
- Character length uses 8-bit unit
- Switchable byte ordering (MSB first or LSB first)
- Selectable external serial clock input/internal serial clock output
- 3-wire type
  - SOn: Serial data output
  - SIn: Serial data input
  - $\overline{\text{SCKn}}$ : Serial clock I/O
- Interrupt source: 1 type
  - Transmission/reception completion interrupt (INTCSIn)

**Remark** n = 0 to 3

$\phi$  : internal system clock

The configuration of the clock-synchronized serial interfaces 0 to 3 (CSI0 to CSI3) is shown below.

**Figure 9-2. Block Diagram of Clock-synchronized Serial Interfaces 0 to 3 (CSI0 to CSI3)**



**Note** SO0 to SO2,  $\overline{SCK0}$  to  $\overline{SCK2}$ : CMOS outputs  
 SO3,  $\overline{SCK3}$ : N-ch open-drain outputs

**Remark** n = 0 to 3  
 $\phi$  : internal system clock

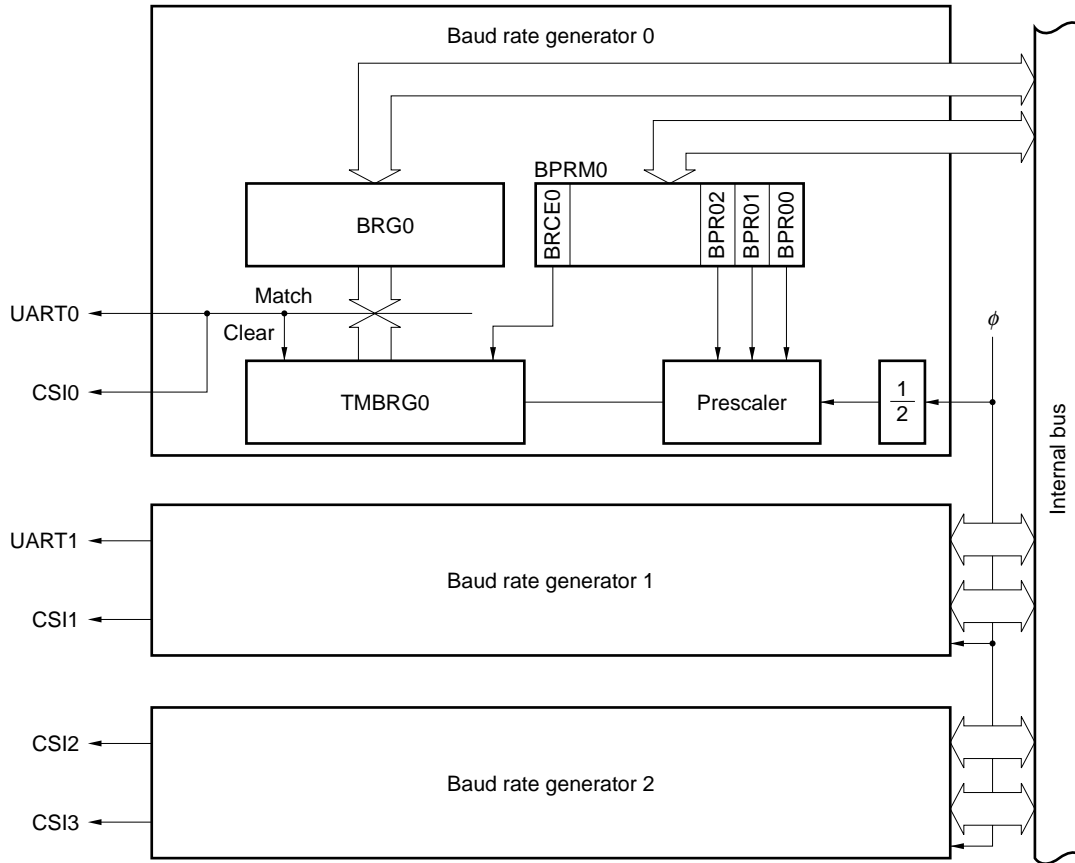
9.3 Baud Rate Generators 0 to 2 (BRG0 to BRG2)

The features of the baud rate generators 0 to 2 (BRG0 to BRG2) are shown below.

- Serial clock can be selected via baud rate generator output and φ (internal system clock)
- Identical baud rates during transmission and reception

The configuration of the baud rate generators 0 to 2 (BRG0 to BRG2) is shown below.

★ **Figure 9-3. Block Diagram of Baud Rate Generators 0 to 2 (BRG0 to BRG2)**



10. PWM UNIT

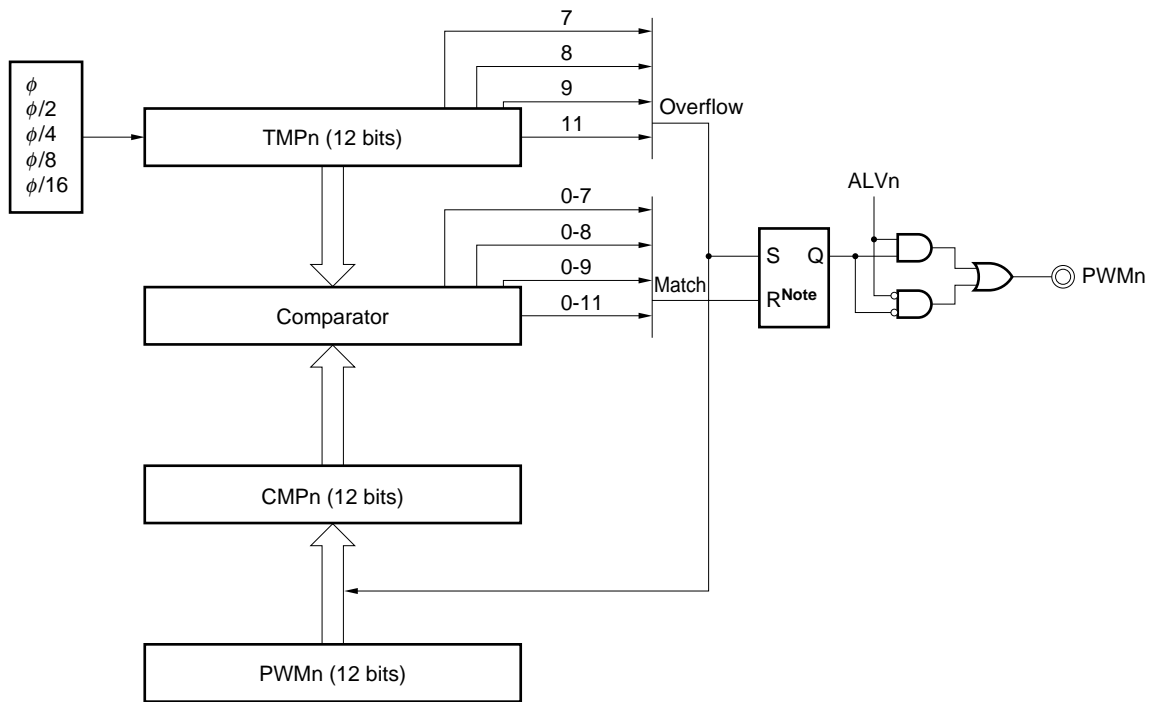
The features of the PWM unit are shown below.

- PWMn: 2 channels
- Selectable active level for PWMn output pulse
- Operating clock selectable as  $\phi$ ,  $\phi/2$ ,  $\phi/4$ ,  $\phi/8$ , or  $\phi/16$  ( $\phi$  : internal system clock)
- PWMn output resolution selectable as 8, 9, 10, or 12 bits

**Remark** n = 0, 1

The configuration of the PWM unit is shown below.

Figure 10-1. Block Diagram of PWM Unit



**Note** Priority to reset

**Remark** n = 0, 1  
 $\phi$  : internal system clock

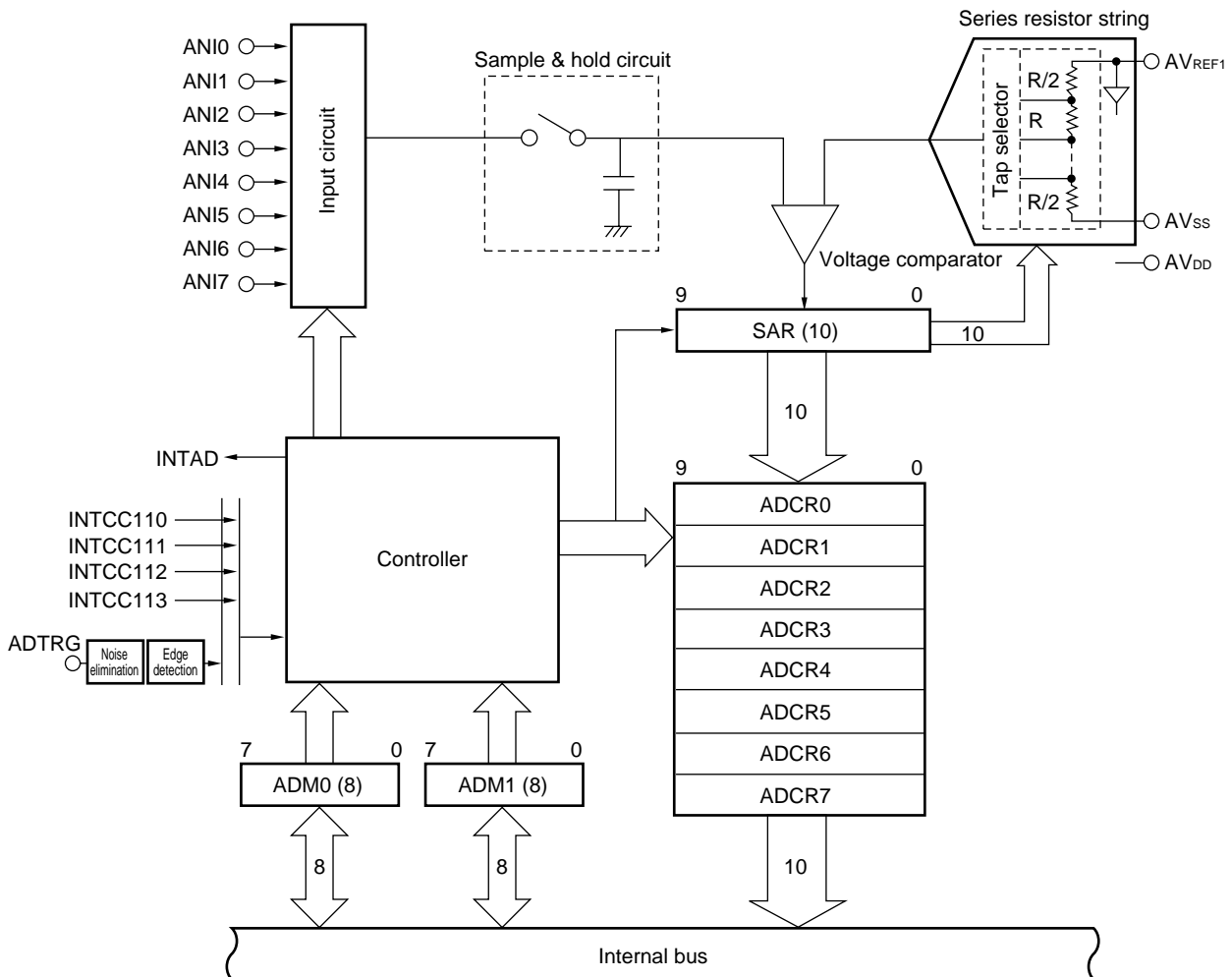
### 11. A/D CONVERTER

The features of the A/D converter are shown below.

- Analog inputs: 8 channels
- On-chip 10-bit A/D converter
- On-chip A/D conversion result registers (ADCR0 to ADCR7)  
10 bits × 8 registers
- A/D conversion trigger modes  
A/D trigger mode  
Timer trigger mode  
External trigger mode
- Sequential conversion method

The configuration of the A/D converter is shown below.

★ **Figure 11-1. Block Diagram of A/D Converter**



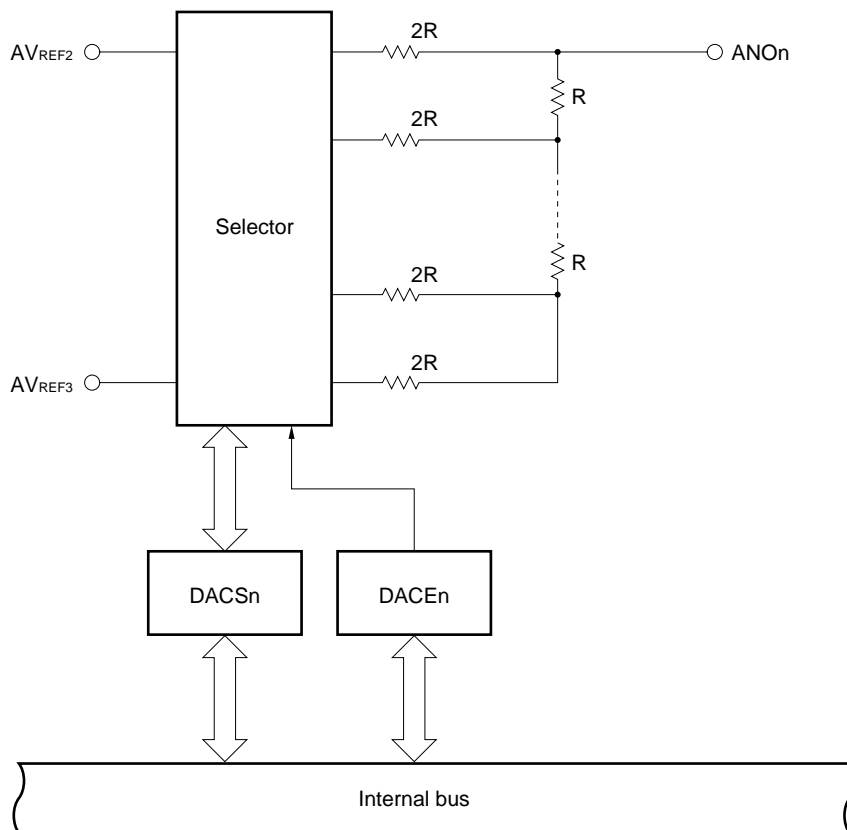
## 12. D/A CONVERTER

The features of the D/A converter are shown below.

- 8-bit resolution D/A converter: 2 channels
- R-2R conversion method

The configuration of the D/A converter is shown below.

**Figure 12-1. Block Diagram of D/A Converter**



**Remark**  $n = 0, 1$

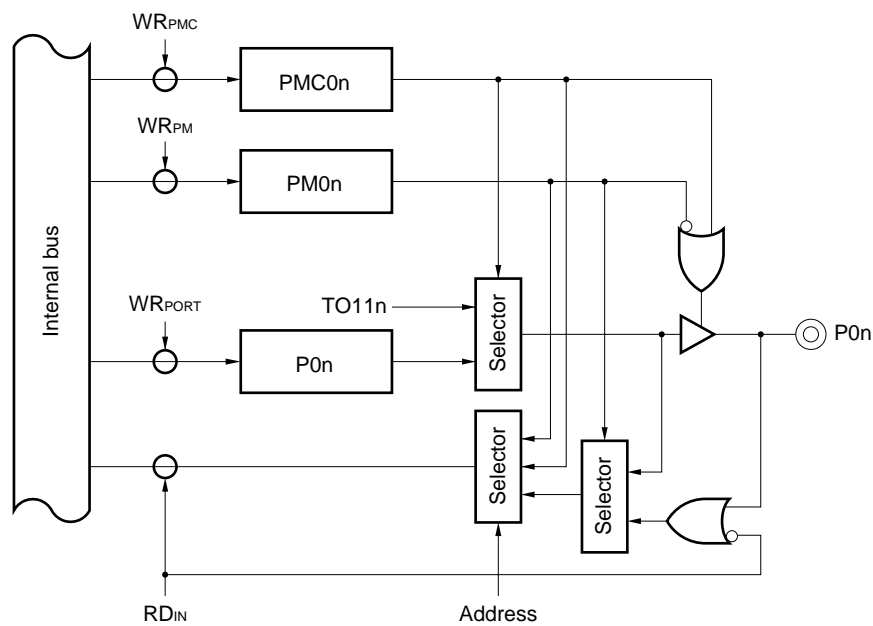
### 13. PORT FUNCTIONS

The features of the port functions are shown below.

- Number of ports
  - Input-only ports: 8
  - I/O ports: 67
- Alternated as I/O pins for other peripheral functions
- I/O setting can be specified bitwise
- Noise elimination
- Edge detection

The configurations of the port functions are shown below.

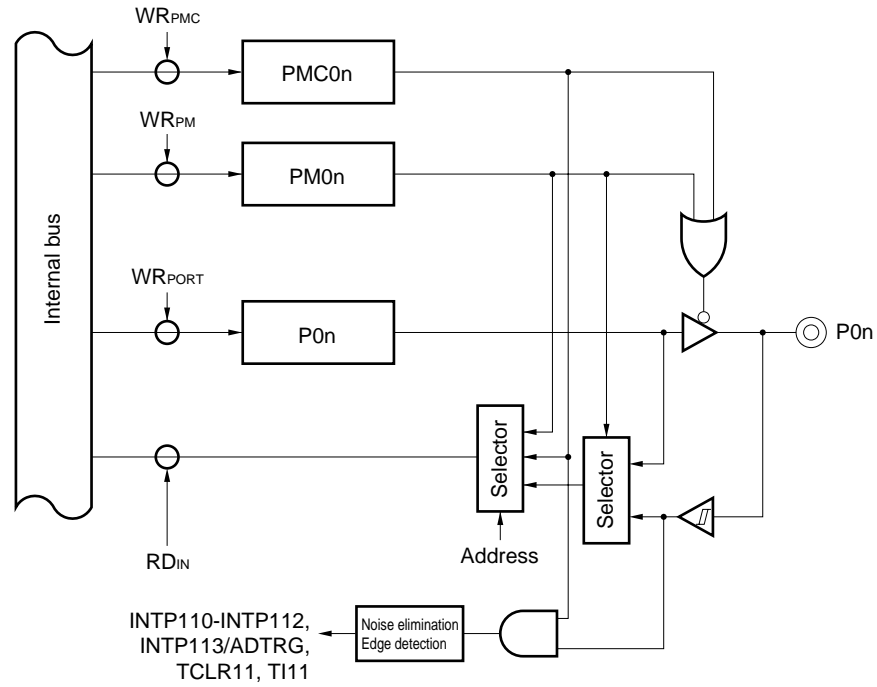
Figure 13-1. Block Diagram of P00 and P01 (Port 0)



**Remark** n = 0, 1

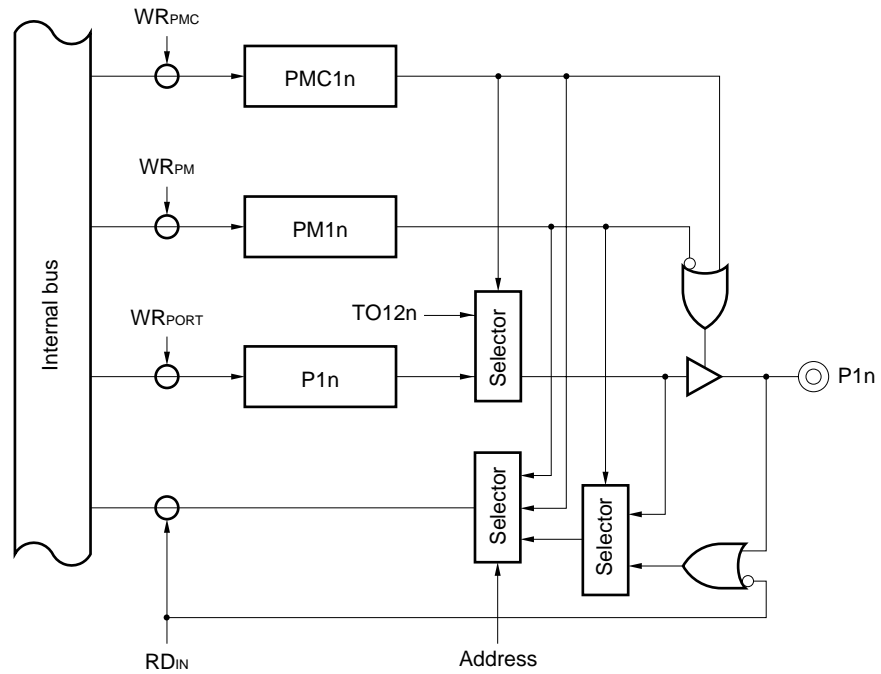


Figure 13-2. Block Diagram of P02 to P07 (Port 0)



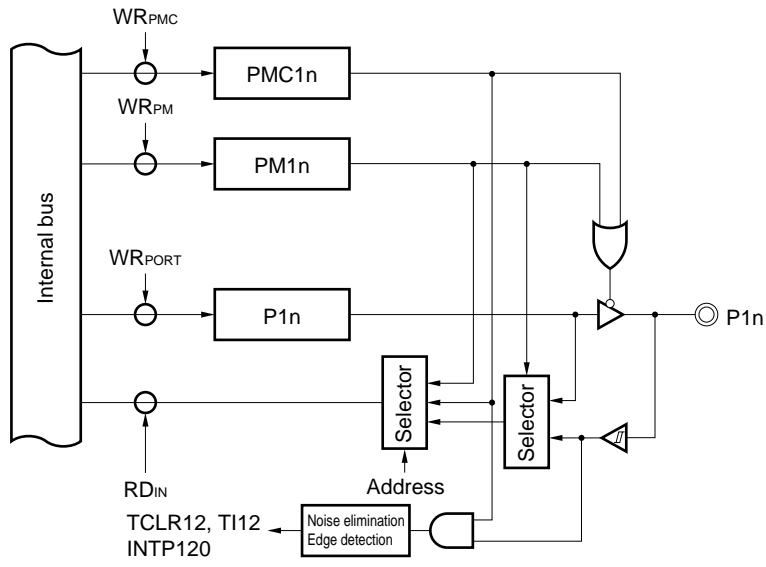
Remark  $n = 2$  to  $7$

Figure 13-3. Block Diagram of P10 and P11 (Port 1)



Remark  $n = 0, 1$

Figure 13-4. Block Diagram of P12 to P14 (Port 1)



Remark n = 2 to 4

Figure 13-5. Block Diagram of P15 (Port 1)

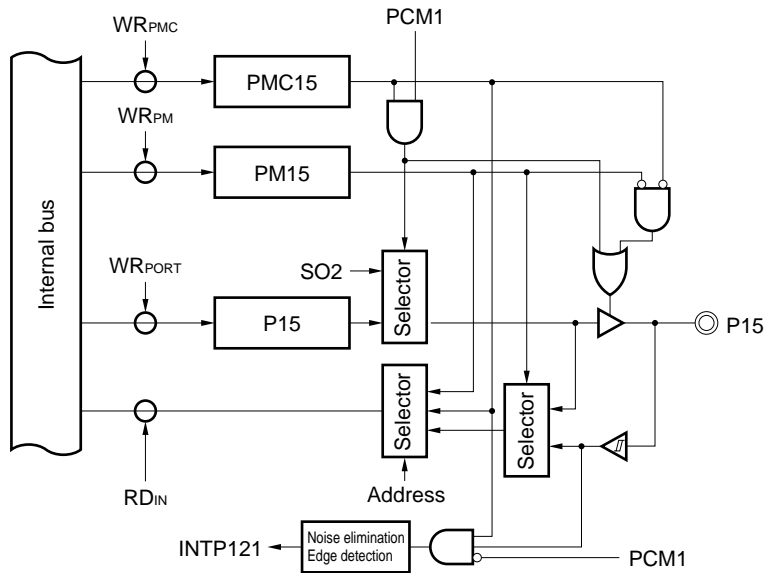


Figure 13-6. Block Diagram of P16 (Port 1)

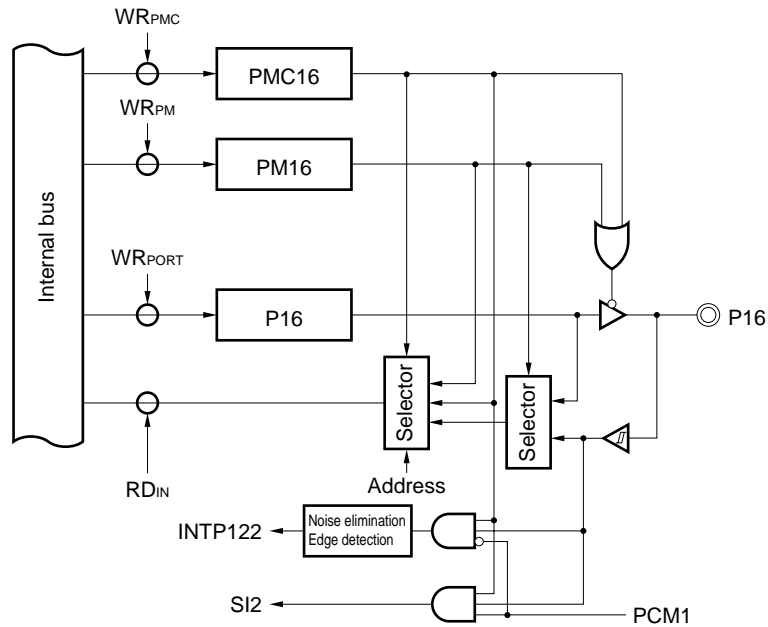


Figure 13-7. Block Diagram of P17 (Port 1)

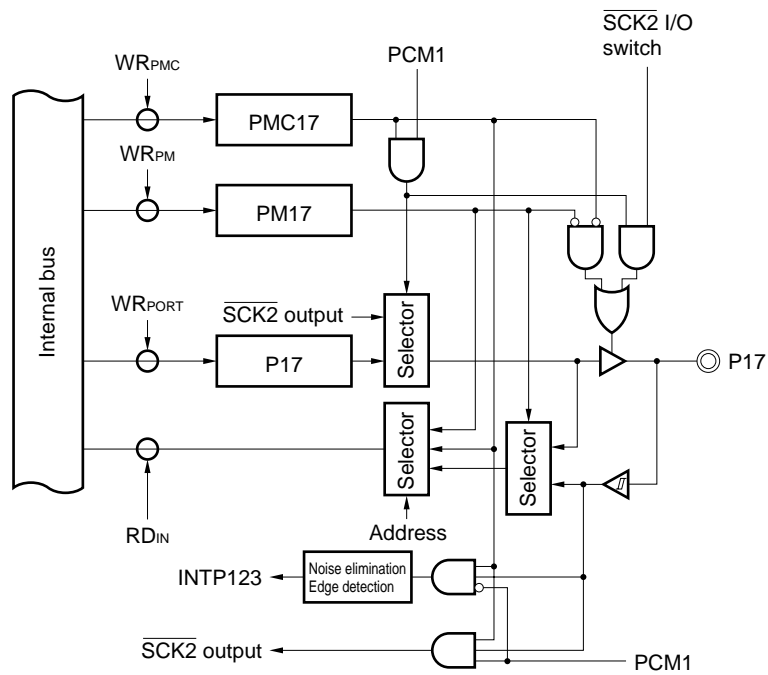
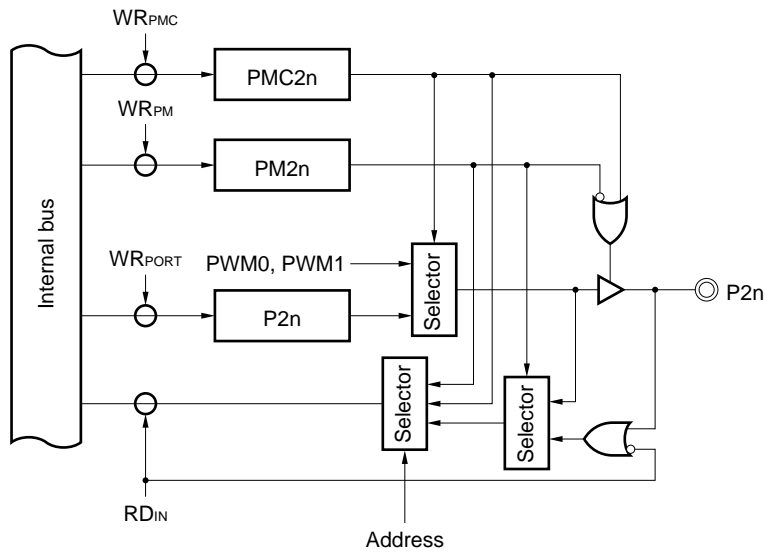
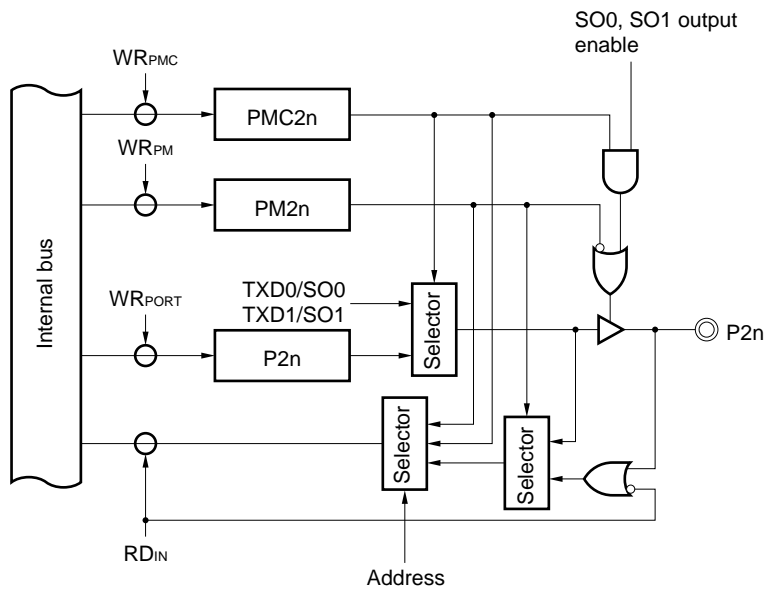


Figure 13-8. Block Diagram of P20 and P21 (Port 2)



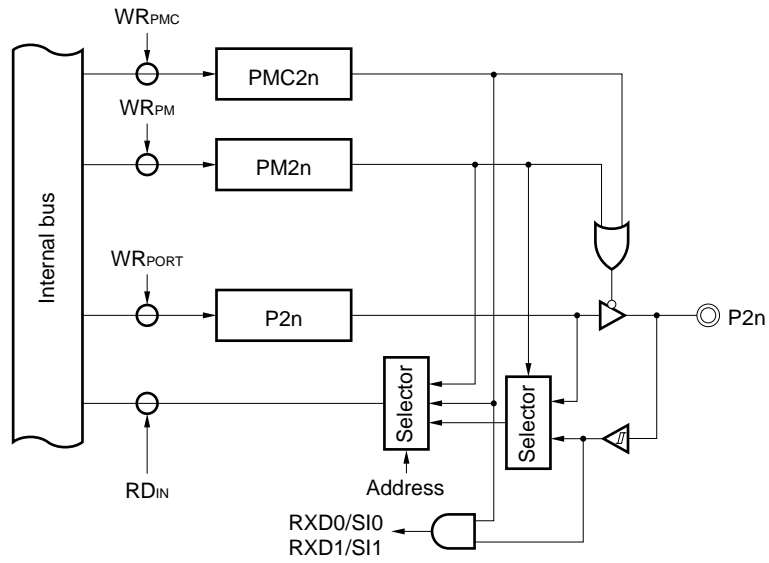
Remark  $n = 0, 1$

Figure 13-9. Block Diagram of P22 and P25 (Port 2)



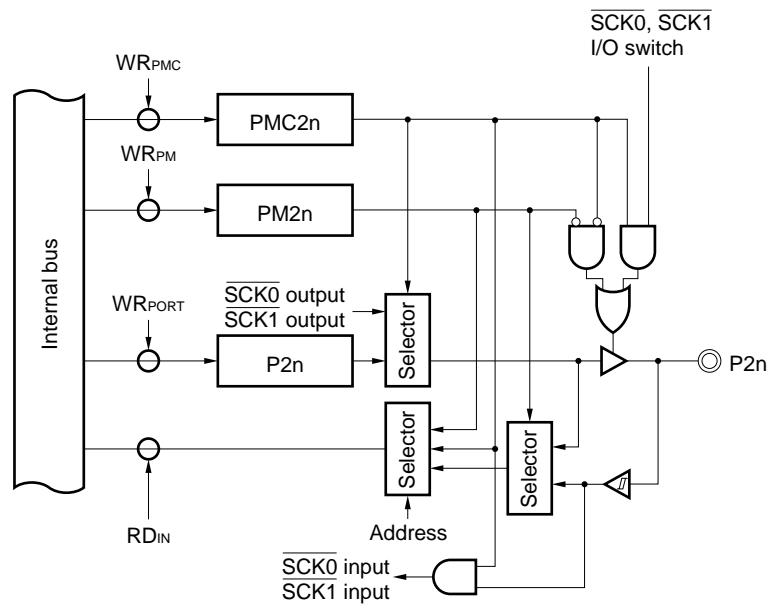
Remark  $n = 2, 5$

Figure 13-10. Block Diagram of P23 and P26 (Port 2)



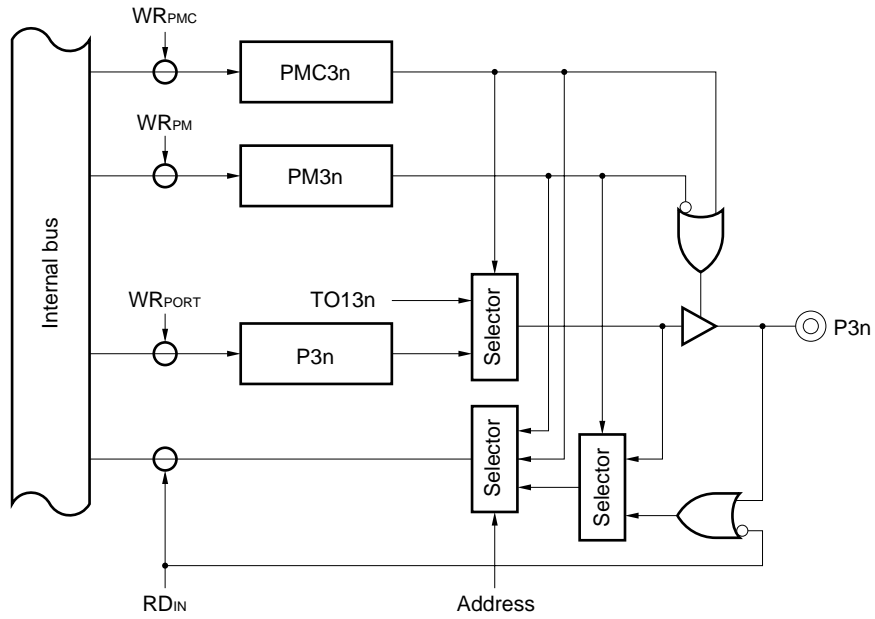
Remark n = 3, 6

Figure 13-11. Block Diagram of P24 and P27 (Port 2)



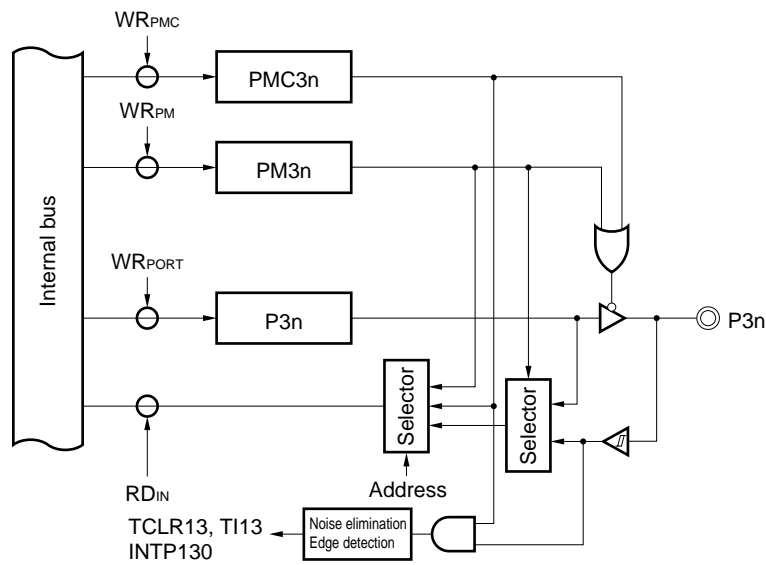
Remark n = 4, 7

Figure 13-12. Block Diagram of P30 and P31 (Port 3)



Remark  $n = 0, 1$

Figure 13-13. Block Diagram of P32 to P34 (Port 3)



Remark  $n = 2$  to  $4$

Figure 13-14. Block Diagram of P35 (Port 3)

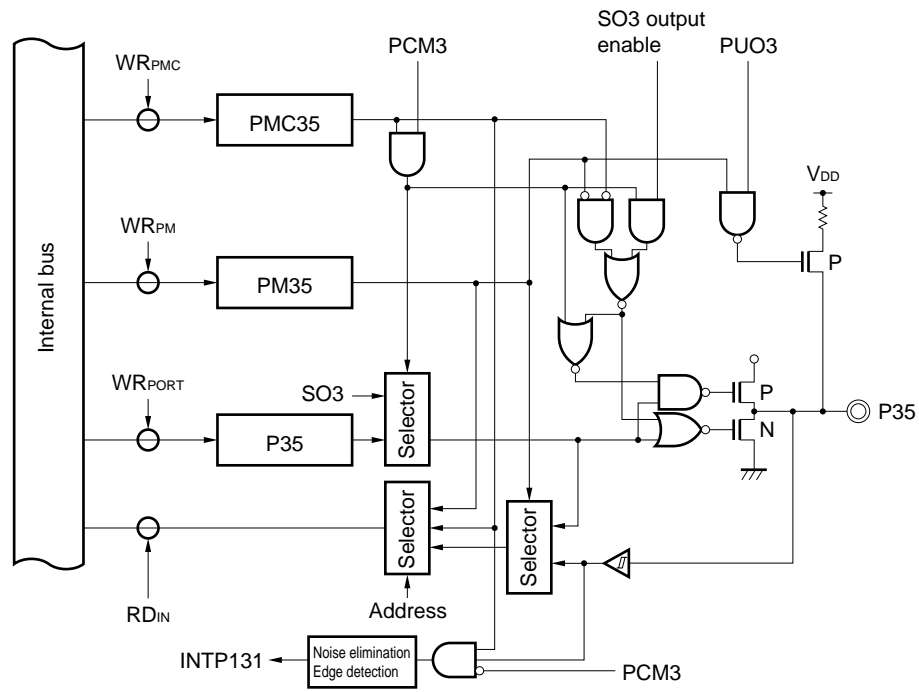


Figure 13-15. Block Diagram of P36 (Port 3)

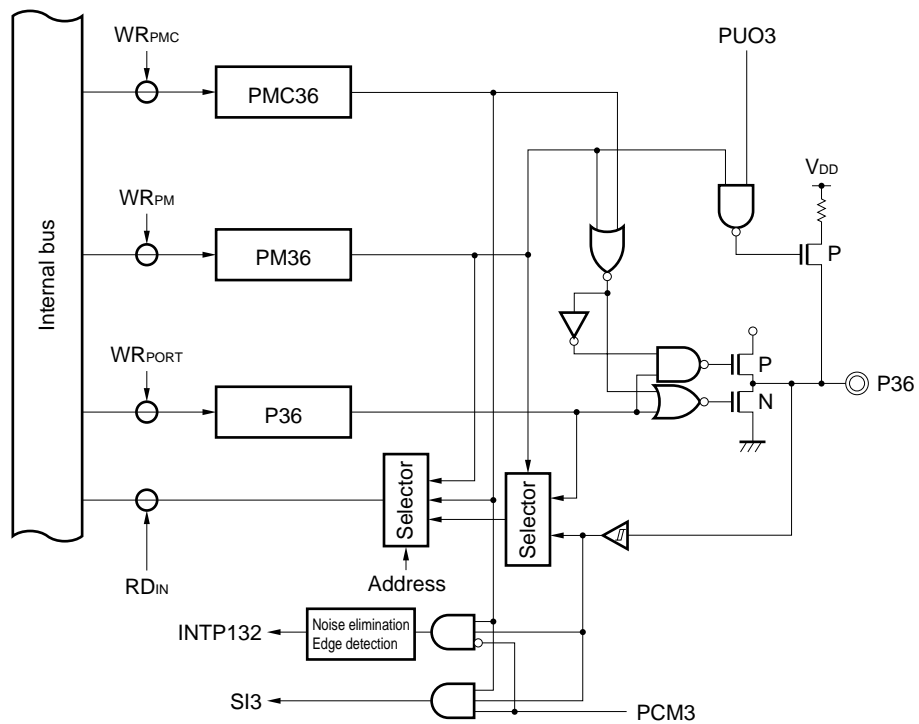


Figure 13-16. Block Diagram of P37 (Port 3)

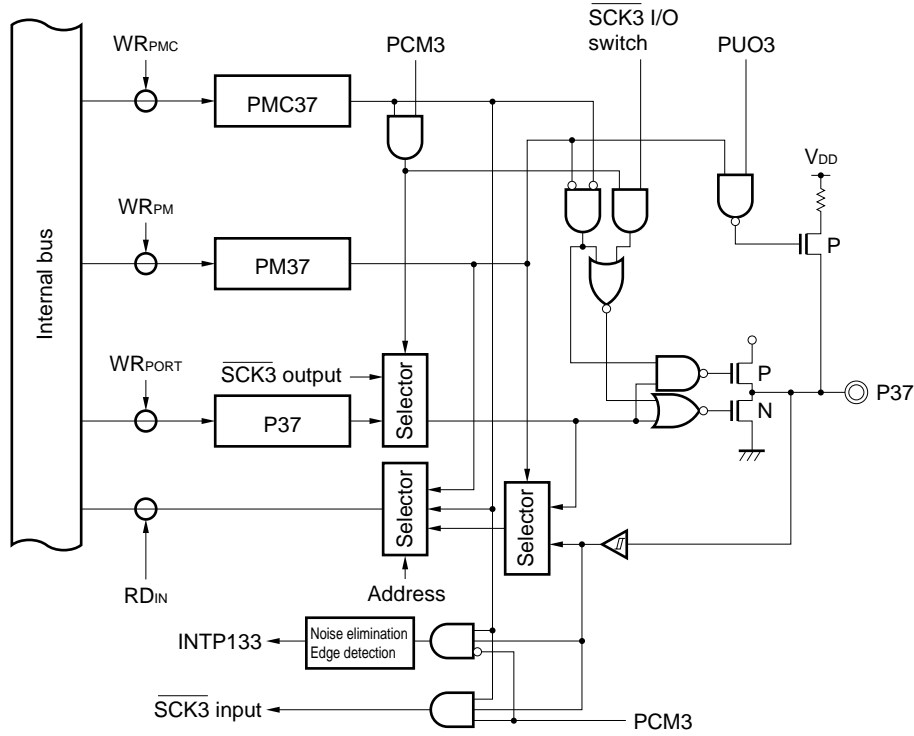
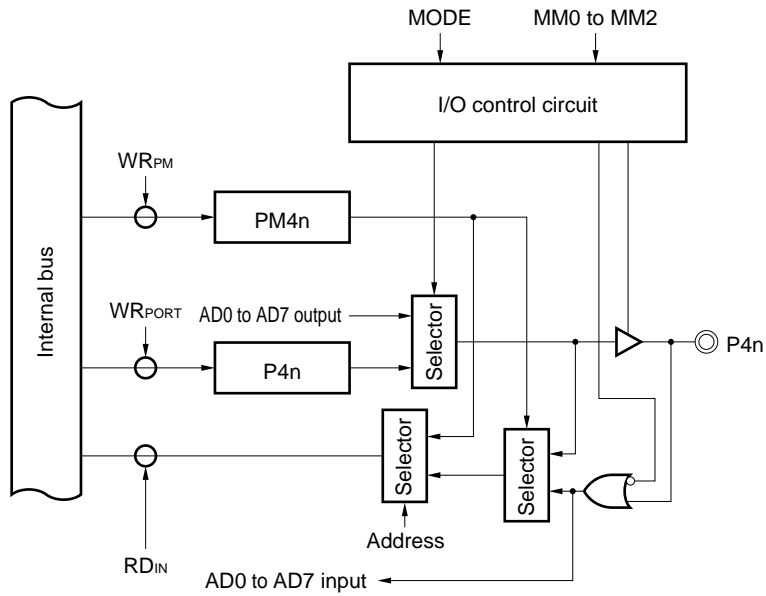


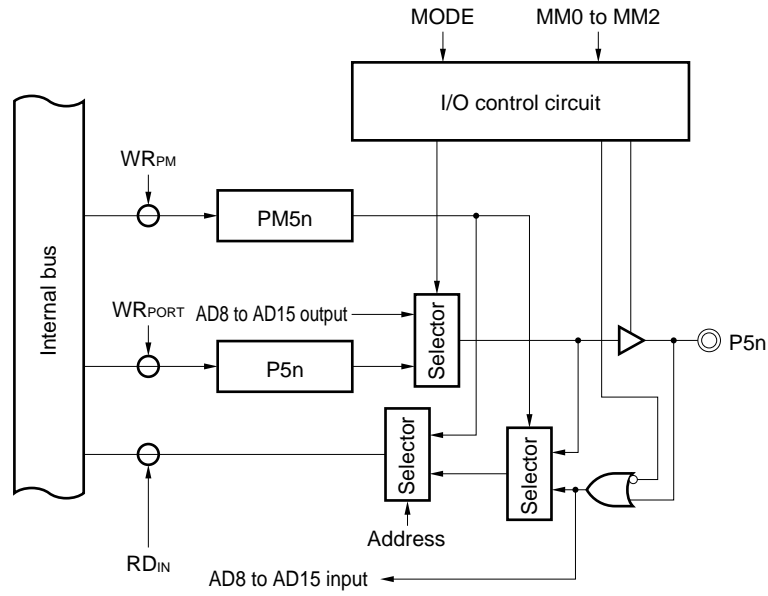
Figure 13-17. Block Diagram of P40 to P47 (Port 4)



Remark n = 0 to 7

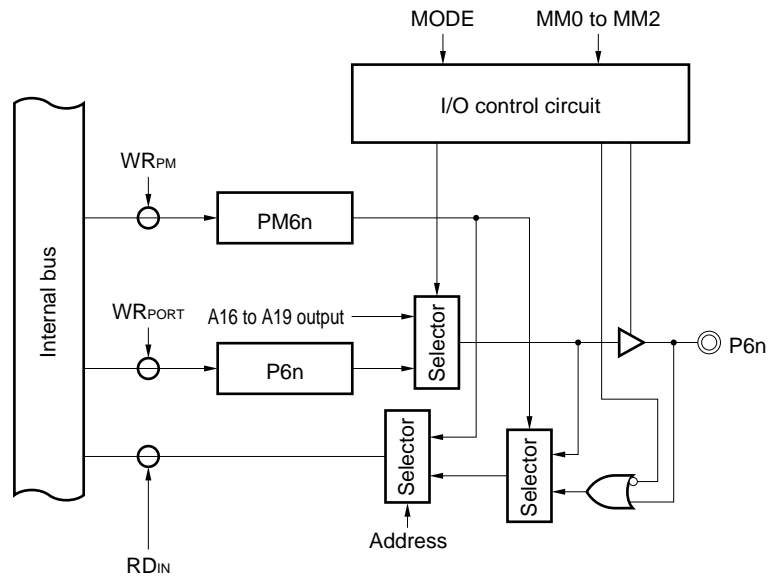


Figure 13-18. Block Diagram of P50 to P57 (Port 5)



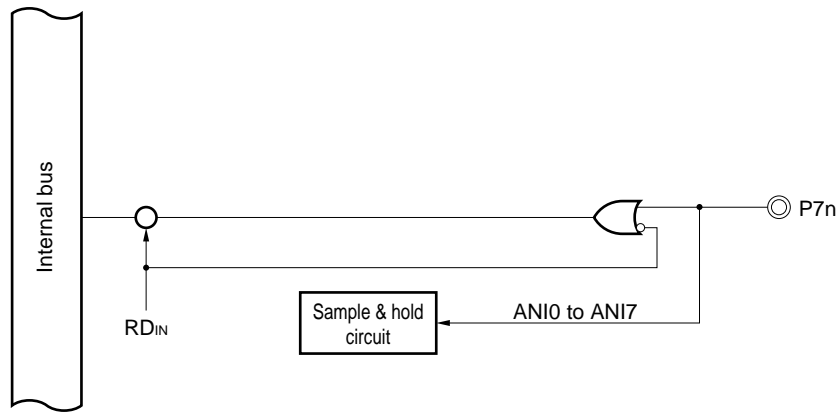
Remark n = 0 to 7

Figure 13-19. Block Diagram of P60 to P63 (Port 6)



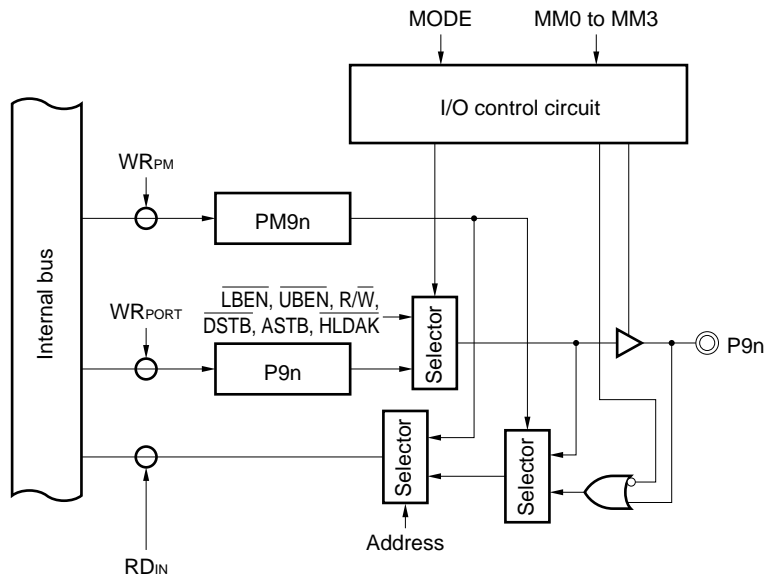
Remark n = 0 to 3

Figure 13-20. Block Diagram of P70 to P77 (Port 7)



Remark n = 0 to 7

Figure 13-21. Block Diagram of P90 to P95 (Port 9)



Remark n = 0 to 5

Figure 13-22. Block Diagram of P96 (Port 9)

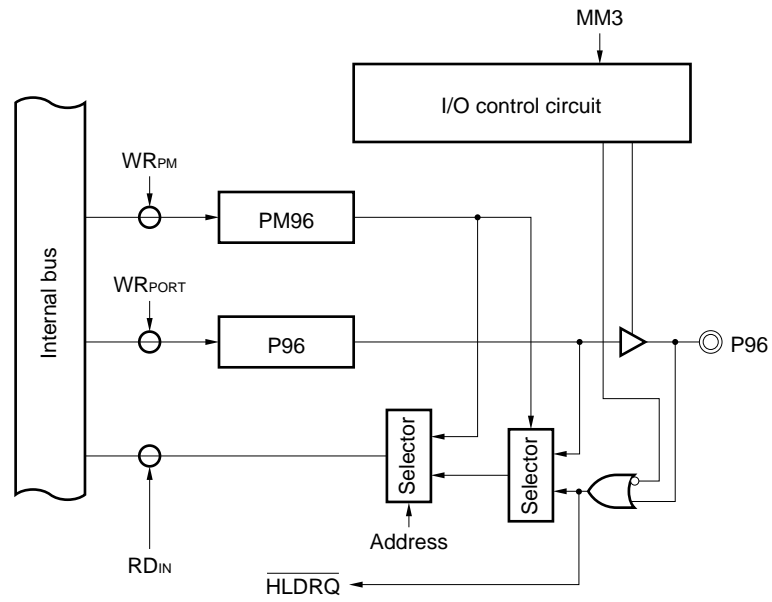
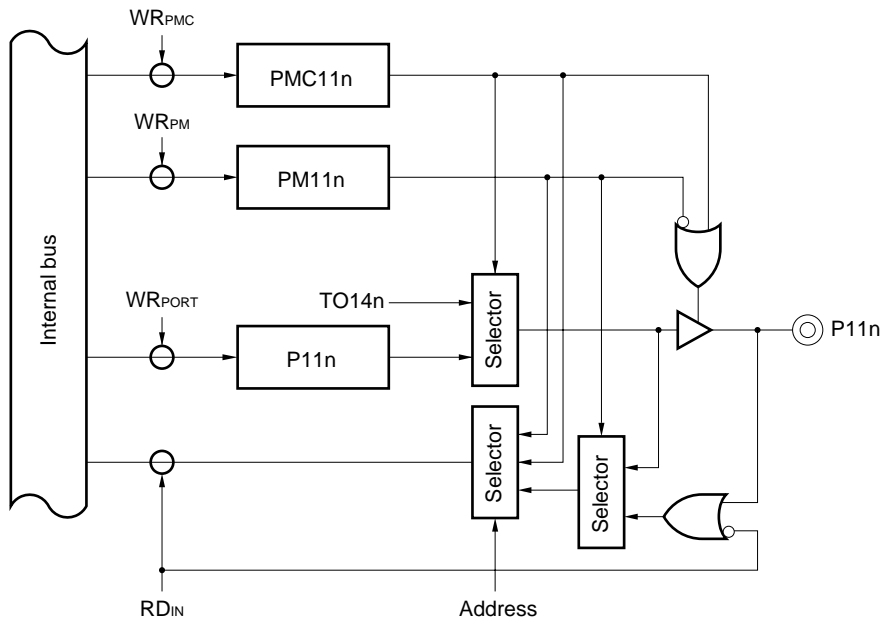
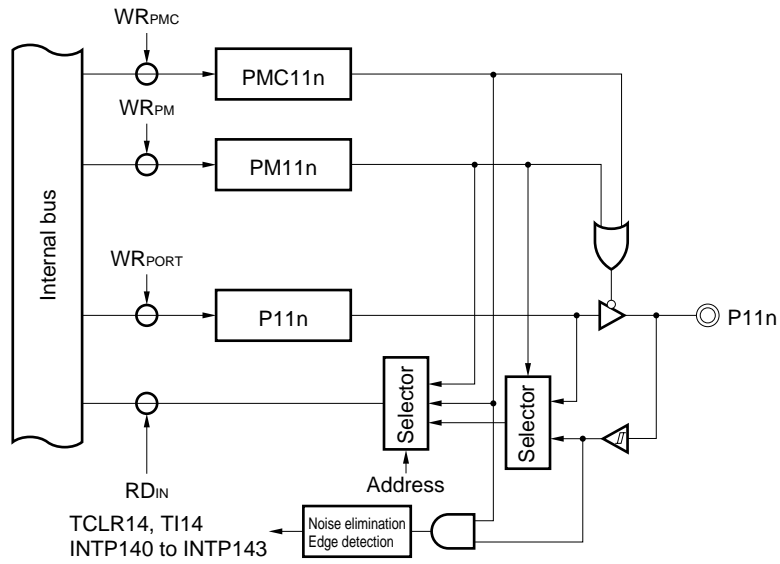


Figure 13-23. Block Diagram of P110 and P111 (Port 11)



Remark n = 0, 1

Figure 13-24. Block Diagram of P112 to P117 (Port 11)



Remark n = 2 to 7

## 14. RESET FUNCTIONS

When low-level input occurs at the  $\overline{\text{RESET}}$  pin, a system reset is performed and the various on-chip hardware devices are reset to their initial settings.

When the input at the  $\overline{\text{RESET}}$  pin changes from low level to high level, the reset status is canceled and the CPU resumes program execution. The contents of the various registers should be initialized within the program as necessary.

The feature of the reset functions is shown below.

- On-chip noise elimination circuit which uses analog delay ( $\cong 60$  ns) for the  $\overline{\text{RESET}}$  pin

15. INSTRUCTION SET

- How to read instruction set tables

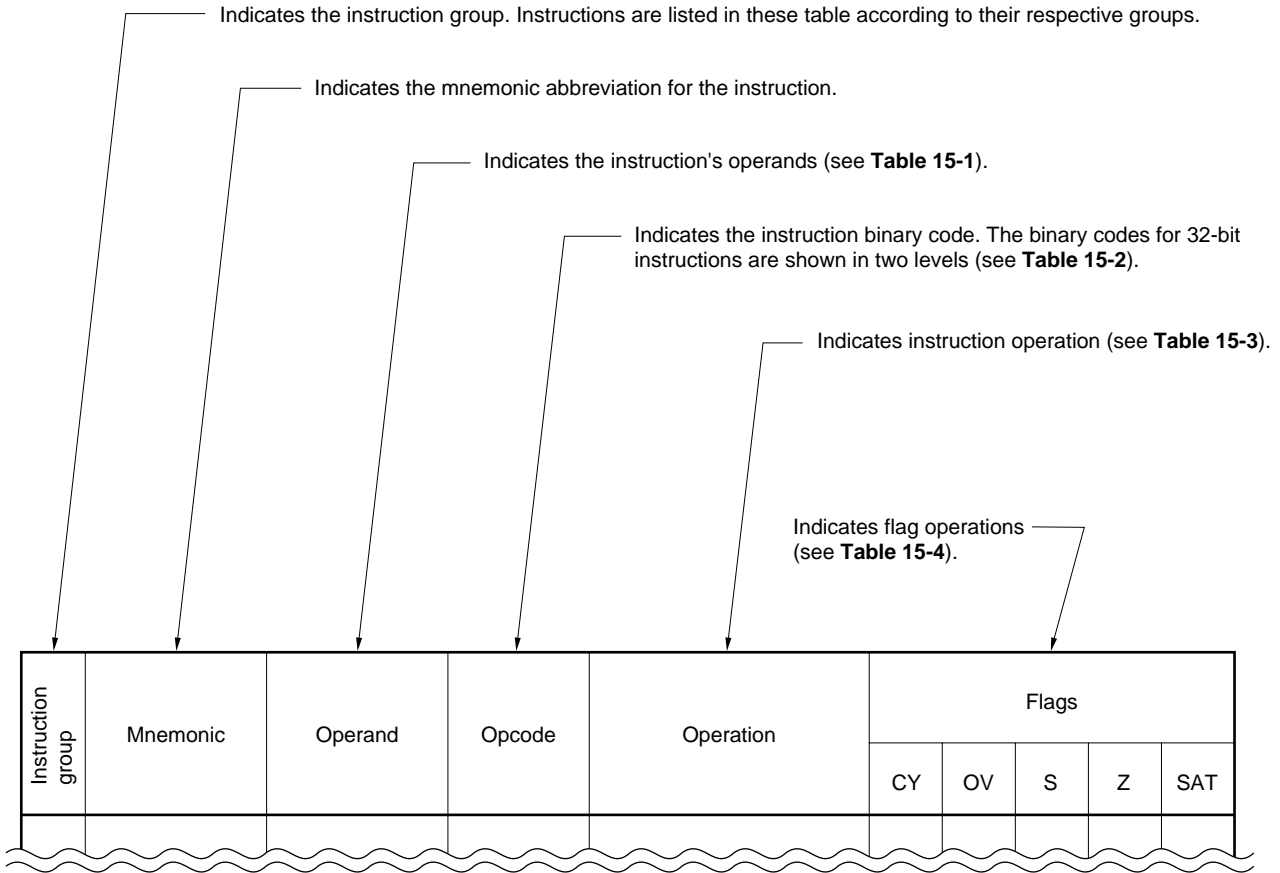


Table 15-1. Symbols Used to Indicate Operands

Symbol	Description
reg1	General registers (r0 to r31): used as source registers
reg2	General registers (r0 to r31): mainly used as destination registers
ep	Element pointer (r30)
bit#3	3-bit data used to specify bit number
immX	X bits immediate
dispX	X bits displaced
regID	System register number
vector	5-bit data used to specify trap vector (00H to 1FH)
cccc	4-bit data used to indicate condition code

**Table 15-2. Symbols Used to Indicate Opcodes**

Symbol	Description
R	1-bit data of code specifying reg1 or regID
r	1-bit data of code specifying reg2
d	1 bit of displaced data
i	1 bit of immediate data
cccc	4-bit data used to indicate condition code
bbb	3-bit data used to specify bit number

**Table 15-3. Symbols Used to Indicate Operations**

Symbol	Description
←	Assign
GR [ ]	General register
SR [ ]	System register
zero-extend (n)	Zero-extend n up until word length
sign-extend (n)	Sign-extend n up until word length
load-memory (a, b)	Read data having size b from address a
store-memory (a, b, c)	Replace data b at address a with data having size c
load-memory-bit (a, b)	Read bit b from address a
store-memory-bit (a, b, c)	Write c to bit b from address a
saturated (n)	Execute saturation processing for n (n = complement to 2) Calculation of n: When $n \geq 7FFFFFFFH$ , result is $7FFFFFFFH$ . When $n \leq 80000000H$ , result is $80000000H$ .
result	Result is indicated by flag operations
Byte	Byte (8 bits)
Halfword	Half word (16 bits)
Word	Word (32 bits)
+	Add
-	Subtract
	Bit linkage
×	Multiply
÷	Divide
AND	Logical AND
OR	Logical OR
XOR	Exclusive OR
NOT	Logical NOT
logically shift left by	Logical shift left
logically shift right by	Logical shift right
arithmetically shift right by	Arithmetic shift right

**Table 15-4. Flag Operations**

Identifier	Description
(Blank)	No change
0	Clear to zero
×	Set or clear according to result
R	Restore previously saved value(s)

**Table 15-5. Condition Codes**

Condition name (cond)	Condition code (cccc)	Conditional expression	Description
V	0000	$OV = 1$	Overflow
NV	1000	$OV = 0$	No overflow
C/L	0001	$CY = 1$	Carry Lower (Less than)
NC/NL	1001	$CY = 0$	No carry No lower (Greater than or equal)
Z/E	0010	$Z = 1$	Zero Equal
NZ/NE	1010	$Z = 0$	Not zero Not equal
NH	0011	$(CY \text{ OR } Z) = 1$	Not higher (Less than or equal)
H	1011	$(CY \text{ OR } Z) = 0$	Higher (Greater than)
N	0100	$S = 1$	Negative
P	1100	$S = 0$	Positive
T	0101	–	Always (unconditional)
SA	1101	$SAT = 1$	Saturated
LT	0110	$(S \text{ XOR } OV) = 1$	Less than signed
GE	1110	$(S \text{ XOR } OV) = 0$	Greater than or equal signed
LE	0111	$((S \text{ XOR } OV) \text{ OR } Z) = 1$	Less than or equal signed
GT	1111	$((S \text{ XOR } OV) \text{ OR } Z) = 0$	Greater than signed



Instruction Set List

Instruction group	Mnemonic	Operand	Opcode	Operation	Flags				
					CY	OV	S	Z	SAT
Load/store instructions	SLD.B	disp7[ep], reg2	r r r r r 0 1 1 1 0 d d d d d d d	adr ← ep + zero-extend (disp7) GR[reg2] ← sign-extend (Load-memory (adr, Byte))					
	SLD.H	disp8[ep], reg2	r r r r r 1 0 0 0 d d d d d d d <b>Note 1</b>	adr ← ep + zero-extend (disp8) GR[reg2] ← sign-extend (Load-memory (adr, Halfword))					
	SLD.W	disp8[ep], reg2	r r r r r 1 0 1 0 d d d d d d 0 <b>Note 2</b>	adr ← ep + zero-extend (disp8) GR[reg2] ← Load-memory (adr, Word)					
	LD.B	disp16[reg1], reg2	r r r r r 1 1 1 0 0 0 R R R R R d d d d d d d d d d d d d	adr ← GR[reg1] + sign-extend (disp16) GR[reg2] ← sign-extend (Load-memory (adr, Byte))					
	LD.H	disp16[reg1], reg2	r r r r r 1 1 1 0 0 1 R R R R R d d d d d d d d d d d d 0 <b>Note 3</b>	adr ← GR[reg1] + sign-extend (disp16) GR[reg2] ← sign-extend (Load-memory (adr, Halfword))					
	LD.W	disp16[reg1], reg2	r r r r r 1 1 1 0 0 1 R R R R R d d d d d d d d d d d d d 1 <b>Note 3</b>	adr ← GR[reg1] + sign-extend (disp16) GR[reg2] ← Load-memory (adr, Word)					
	SST.B	reg2, disp7[ep]	r r r r r 0 1 1 1 1 d d d d d d d	adr ← ep + zero-extend (disp7) Store-memory (adr, GR[reg2], Byte)					
	SST.H	reg2, disp8[ep]	r r r r r 1 0 0 1 d d d d d d d <b>Note 1</b>	adr ← ep + zero-extend (disp8) Store-memory (adr, GR[reg2], Halfword)					
	SST.W	reg2, disp8[ep]	r r r r r 1 0 1 0 d d d d d d 1 <b>Note 2</b>	adr ← ep + zero-extend (disp8) Store-memory (adr, GR[reg2], Word)					
	ST.B	reg2, disp16[reg1]	r r r r r 1 1 1 0 1 0 R R R R R d d d d d d d d d d d d d	adr ← GR[reg1] + sign-extend (disp16) Store-memory (adr, GR[reg2], Byte)					
	ST.H	reg2, disp16[reg1]	r r r r r 1 1 1 0 1 1 R R R R R d d d d d d d d d d d d 0 <b>Note 3</b>	adr ← GR[reg1] + sign-extend (disp16) Store-memory (adr, GR[reg2], Halfword)					
	ST.W	reg2, disp16[reg1]	r r r r r 1 1 1 0 1 1 R R R R R d d d d d d d d d d d d d 1 <b>Note 3</b>	adr ← GR[reg1] + sign-extend (disp16) Store-memory (adr, GR[reg2], Word)					
Arithmetic operation instructions	MOV	reg1, reg2	r r r r r 0 0 0 0 0 0 R R R R R	GR[reg2] ← GR[reg1]					
	MOV	imm5, reg2	r r r r r 0 1 0 0 0 0 i i i i i	GR[reg2] ← sign-extend (imm5)					
	MOVHI	imm16, reg1, reg2	r r r r r 1 1 0 0 1 0 R R R R R i i i i i i i i i i i i i i i	GR[reg2] ← GR[reg1] + (imm16    0 <sup>16</sup> )					
	MOVEA	imm16, reg1, reg2	r r r r r 1 1 0 0 0 1 R R R R R i i i i i i i i i i i i i i i	GR[reg2] ← GR[reg1] + sign-extend (imm16)					
	ADD	reg1, reg2	r r r r r 0 0 1 1 1 0 R R R R R	GR[reg2] ← GR[reg2] + GR[reg1]	x	x	x	x	
	ADD	imm5, reg2	r r r r r 0 1 0 0 1 0 i i i i i	GR[reg2] ← GR[reg2] + sign-extend (imm5)	x	x	x	x	
	ADDI	imm16, reg1, reg2	r r r r r 1 1 0 0 0 0 R R R R R i i i i i i i i i i i i i i i	GR[reg2] ← GR[reg1] + sign-extend (imm16)	x	x	x	x	
	SUB	reg1, reg2	r r r r r 0 0 1 1 0 1 R R R R R	GR[reg2] ← GR[reg2] – GR[reg1]	x	x	x	x	
SUBR	reg1, reg2	r r r r r 0 0 1 1 0 0 R R R R R	GR[reg2] ← GR[reg1] – GR[reg2]	x	x	x	x		

- Notes**
1. d d d d d d = high-order 7 bits of disp8
  2. d d d d d d = high-order 6 bits of disp8
  3. d d d d d d d d d d d d d d d d = high-order 15 bits of disp16

Instruction group	Mnemonic	Operand	Opcode	Operation	Flags				
					CY	OV	S	Z	SAT
Arithmetic operation instructions	MULH	reg1, reg2	r r r r r 0 0 0 1 1 1 R R R R R	$GR[reg2] \leftarrow GR[reg2]^{Note} \times GR[reg1]^{Note}$ (signed multiplication)					
	MULH	imm5, reg2	r r r r r 0 1 0 1 1 1 i i i i i	$GR[reg2] \leftarrow GR[reg2]^{Note} \times \text{sign-extend}(imm5)$ (signed multiplication)					
	MULHI	imm16, reg1, reg2	r r r r r 1 1 0 1 1 1 R R R R R i i i i i i i i i i i i i i i i	$GR[reg2] \leftarrow GR[reg1]^{Note} \times imm16$ (signed multiplication)					
	DIVH	reg1, reg2	r r r r r 0 0 0 0 1 0 R R R R R	$GR[reg2] \leftarrow GR[reg2] \div GR[reg1]^{Note}$ (signed division)	x	x	x		
	CMP	reg1, reg2	r r r r r 0 0 1 1 1 1 R R R R R	$result \leftarrow GR[reg2] - GR[reg1]$	x	x	x	x	
	CMP	imm5, reg2	r r r r r 0 1 0 0 1 1 i i i i i	$result \leftarrow GR[reg2] - \text{sign-extend}(imm5)$	x	x	x	x	
	SETF	cccc, reg2	r r r r r 1 1 1 1 1 1 0 c c c c 0 0 0 0 0 0 0 0 0 0 0 0 0 0 0 0	if conditions are satisfied then $GR[reg2] \leftarrow 00000001H$ else $GR[reg2] \leftarrow 00000000H$					
Saturated operation instructions	SATADD	reg1, reg2	r r r r r 0 0 0 1 1 0 R R R R R	$GR[reg2] \leftarrow \text{saturated}(GR[reg2] + GR[reg1])$	x	x	x	x	x
	SATADD	imm5, reg2	r r r r r 0 1 0 0 0 1 i i i i i	$GR[reg2] \leftarrow \text{saturated}(GR[reg2] + \text{sign-extend}(imm5))$	x	x	x	x	x
	SATSUB	reg1, reg2	r r r r r 0 0 0 1 0 1 R R R R R	$GR[reg2] \leftarrow \text{saturated}(GR[reg2] - GR[reg1])$	x	x	x	x	x
	SATSUBI	imm16, reg1, reg2	r r r r r 1 1 0 0 1 1 R R R R R i i i i i i i i i i i i i i i i	$GR[reg2] \leftarrow \text{saturated}(GR[reg1] - \text{sign-extend}(imm16))$	x	x	x	x	x
	SATSUBR	reg1, reg2	r r r r r 0 0 0 1 0 0 R R R R R	$GR[reg2] \leftarrow \text{saturated}(GR[reg1] - GR[reg2])$	x	x	x	x	x
Logical operation instruction	TST	reg1, reg2	r r r r r 0 0 1 0 1 1 R R R R R	$result \leftarrow GR[reg2] \text{AND} GR[reg1]$		0	x	x	
	OR	reg1, reg2	r r r r r 0 0 1 0 0 0 R R R R R	$GR[reg2] \leftarrow GR[reg2] \text{OR} GR[reg1]$		0	x	x	
	ORI	imm16, reg1, reg2	r r r r r 1 1 0 1 0 0 R R R R R i i i i i i i i i i i i i i i i	$GR[reg2] \leftarrow GR[reg1] \text{OR} \text{zero-extend}(imm16)$		0	x	x	
	AND	reg1, reg2	r r r r r 0 0 1 0 1 0 R R R R R	$GR[reg2] \leftarrow GR[reg2] \text{AND} GR[reg1]$		0	x	x	
	ANDI	imm16, reg1, reg2	r r r r r 1 1 0 1 1 0 R R R R R i i i i i i i i i i i i i i i i	$GR[reg2] \leftarrow GR[reg1] \text{AND} \text{zero-extend}(imm16)$		0	0	x	
	XOR	reg1, reg2	r r r r r 0 0 1 0 0 1 R R R R R	$GR[reg2] \leftarrow GR[reg2] \text{XOR} GR[reg1]$		0	x	x	
	XORI	imm16, reg1, reg2	r r r r r 1 1 0 1 0 1 R R R R R i i i i i i i i i i i i i i i i	$GR[reg2] \leftarrow GR[reg1] \text{XOR} \text{zero-extend}(imm16)$		0	x	x	
	NOT	reg1, reg2	r r r r r 0 0 0 0 1 R R R R R	$GR[reg2] \leftarrow \text{NOT}(GR[reg1])$		0	x	x	
	SHL	reg1, reg2	r r r r r 1 1 1 1 1 1 R R R R R 0 0 0 0 0 0 0 0 1 1 0 0 0 0 0 0	$GR[reg2] \leftarrow GR[reg2] \text{logically shift left by } GR[reg1]$	x	0	x	x	
	SHL	imm5, reg2	r r r r r 0 1 0 1 1 0 i i i i i	$GR[reg2] \leftarrow GR[reg2] \text{logically shift left by } \text{zero-extend}(imm5)$	x	0	x	x	
	SHR	reg1, reg2	r r r r r 1 1 1 1 1 1 R R R R R 0 0 0 0 0 0 0 0 1 0 0 0 0 0 0 0	$GR[reg2] \leftarrow GR[reg2] \text{logically shift right by } GR[reg1]$	x	0	x	x	
	SHR	imm5, reg2	r r r r r 0 1 0 1 0 0 i i i i i	$GR[reg2] \leftarrow GR[reg2] \text{logically shift right by } \text{zero-extend}(imm5)$	x	0	x	x	
	SAR	reg1, reg2	r r r r r 1 1 1 1 1 1 R R R R R 0 0 0 0 0 0 0 0 1 0 1 0 0 0 0 0	$GR[reg2] \leftarrow GR[reg2] \text{arithmetically shift right by } GR[reg1]$	x	0	x	x	
SAR	imm5, reg2	r r r r r 0 1 0 1 0 1 i i i i i	$GR[reg2] \leftarrow GR[reg2] \text{arithmetically shift right by } \text{zero-extend}(imm5)$	x	0	x	x		

**Note** Only the low-order half word is valid.

Instruction group	Mnemonic	Operand	Opcode	Operation	Flags				
					CY	OV	S	Z	SAT
Branch instructions	JMP	[reg1]	0000000011RRRRR	PC ← GR[reg1]					
	JR	disp22	000011110dddddd dddddddddddddd0 <b>Note 1</b>	PC ← PC + sign-extend (disp22)					
	JARL	disp22, reg2	rrrrr11110dddddd dddddddddddddd0 <b>Note 1</b>	GR[reg2] ← PC + 4 PC ← PC + sign-extend (disp22)					
	Bcond	disp9	dddd1011ddccc <b>Note 2</b>	if conditions are satisfied then PC ← PC + sign-extend (disp9)					
Bit manipulation instructions	SET1	bit#3, disp16[reg1]	00bbb11110RRRRR dddddddddddddd	adr ← GR[reg1] + sign-extend (disp16) Z flag ← Not (Load-memory-bit (adr, bit#3)) Store-memory-bit (adr, bit#3, 1)				×	
	CLR1	bit#3, disp16[reg1]	10bbb11110RRRRR dddddddddddddd	adr ← GR[reg1] + sign-extend (disp16) Z flag ← Not (Load-memory-bit (adr, bit#3)) Store-memory-bit (adr, bit#3, 0)				×	
	NOT1	bit#3, disp16[reg1]	01bbb11110RRRRR dddddddddddddd	adr ← GR[reg1] + sign-extend (disp16) Z flag ← Not (Load-memory-bit (adr, bit#3)) Store-memory-bit (adr, bit#3, Z flag)				×	
	TST1	bit#3, disp16[reg1]	11bbb11110RRRRR dddddddddddddd	adr ← GR[reg1] + sign-extend (disp16) Z flag ← Not (Load-memory-bit (adr, bit#3))				×	

- Notes**
1. ddddddddddddddddddd = high-order 21 bits of disp22
  2. ddddddd = high-order 8 bits of disp9

Instruction group	Mnemonic	Operand	Opcode	Operation	Flags					
					CY	OV	S	Z	SAT	
Special instructions	LDSR	reg2, regID	r r r r r 1 1 1 1 1 1 R R R R R 0 0 0 0 0 0 0 0 0 0 1 0 0 0 0 0 <b>Note</b>	SR[regID] ← GR[reg2]	regID = EIPC, FEPC					
					regID = EIPSW, FEPSW					
					regID = PSW	x	x	x	x	x
	STSR	regID, reg2	r r r r r 1 1 1 1 1 1 R R R R R 0 0 0 0 0 0 0 0 0 1 0 0 0 0 0 0	GR[reg2] ← SR[regID]						
	TRAP	vector	0 0 0 0 0 1 1 1 1 1 1 i i i i i 0 0 0 0 0 0 0 1 0 0 0 0 0 0 0 0	EIPC ← PC + 4 (restored PC) EIPSW ← PSW ECR.EICC ← Interrupt code PSW.EP ← 1 PSW.ID ← 1 PC ← 00000040H (when vector is 00H to 0FH) 00000050H (when vector is 10H to 1FH)						
	RETI		0 0 0 0 0 1 1 1 1 1 1 0 0 0 0 0 0 0 0 0 0 0 0 1 0 1 0 0 0 0 0 0	if PSW.EP = 1 then PC ← EIPC PSW ← EIPSW else if PSW.NP = 1 then PC ← FEPC PSW ← FEPSW else PC ← EIPC PSW ← EIPSW	R	R	R	R	R	
	HALT		0 0 0 0 0 1 1 1 1 1 1 0 0 0 0 0 0 0 0 0 0 0 0 1 0 0 1 0 0 0 0 0	Stops						
	DI		0 0 0 0 0 1 1 1 1 1 1 0 0 0 0 0 0 0 0 0 0 0 0 1 0 1 1 0 0 0 0 0	PSW.ID ← 1 (maskable interrupt prohibit)						
	EI		1 0 0 0 0 1 1 1 1 1 1 0 0 0 0 0 0 0 0 0 0 0 0 1 0 1 1 0 0 0 0 0	PSW.ID ← 0 (maskable interrupt enable)						
NOP		0 0 0 0 0 0 0 0 0 0 0 0 0 0 0 0	No operation, uses at least one clock							

**Note** In this instructions, “reg2” is the mnemonic abbreviation for the source register, but the reg1 field is used for the opcode. Consequently, these instructions differ from other instructions in a way registers are specified in mnemonics description and opcodes.

rrrrr = regID specification

RRRRR = reg2 specification

16. ELECTRICAL SPECIFICATIONS

Absolute Maximum Ratings (T<sub>A</sub> = 25°C)

Parameter	Symbol	Condition	Rating	Units	
Power supply voltage	V <sub>DD</sub>	V <sub>DD</sub> pin	-0.5 to +7.0	V	
	CV <sub>DD</sub>	CV <sub>DD</sub> pin	-0.5 to V <sub>DD</sub> + 0.3	V	
	CV <sub>SS</sub>	CV <sub>SS</sub> pin	-0.5 to +0.5	V	
	AV <sub>DD</sub>	AV <sub>DD</sub> pin	-0.5 to V <sub>DD</sub> + 0.3	V	
	AV <sub>SS</sub>	AV <sub>SS</sub> pin	-0.5 to +0.5	V	
Input voltage	V <sub>I1</sub>	<b>Note</b> , V <sub>DD</sub> = 5.0 V ±10 %	-0.5 to V <sub>DD</sub> + 0.3	V	
Clock input voltage	V <sub>K</sub>	X1 pin, V <sub>DD</sub> = 5.0 V ±10 %	-0.5 to V <sub>DD</sub> + 1.0	V	
Low-level output current	I <sub>oL</sub>	1 pin	4.0	mA	
		Total for all pins	100	mA	
High-level output current	I <sub>oH</sub>	1 pin	-4.0	mA	
		Total for all pins	-100	mA	
Output voltage	V <sub>O</sub>	V <sub>DD</sub> = 5.0 V ±10 %	-0.5 to V <sub>DD</sub> + 0.3	V	
Analog input voltage	V <sub>IAN</sub>	P70/ANI0 to P77/ANI7	AV <sub>DD</sub> > V <sub>DD</sub>	-0.5 to V <sub>DD</sub> + 0.3	V
			V <sub>DD</sub> ≥ AV <sub>DD</sub>	-0.5 to AV <sub>DD</sub> + 0.3	V
Analog reference input voltage	AV <sub>REF</sub>	AV <sub>REF1</sub> to AV <sub>REF3</sub>	AV <sub>DD</sub> > V <sub>DD</sub>	-0.5 to V <sub>DD</sub> + 0.3	V
			V <sub>DD</sub> ≥ AV <sub>DD</sub>	-0.5 to AV <sub>DD</sub> + 0.3	V
Operating temperature	T <sub>A</sub>		-40 to +85	°C	
Storage temperature	T <sub>stg</sub>		-65 to +150	°C	

**Note** X1, P70/ANI0 to P77/ANI7, and AV<sub>REF1</sub> to AV<sub>REF3</sub> are excluded.

- Cautions**
1. Be sure to avoid direct connections among the IC device output (or I/O) pins and between V<sub>DD</sub> or V<sub>CC</sub> and GND. However, open-drain pins and open collector pins can be directly connected. A direct connection to an external circuit can be made to avoid conflicting output from high-impedance pins if the external circuit is designed for the correct timing.
  2. If the absolute maximum rating for any of the above parameters is exceeded even momentarily, it may adversely affect the quality of this product. In other words, these absolute maximum ratings have been set to prevent physical damage to the product. Do not use the product in such a way as to exceed any of these ratings.  
The ratings and conditions shown below for DC characteristics and AC characteristics are within the range for normal operation and quality assurance.

Capacitance (T<sub>A</sub> = 25°C, V<sub>DD</sub> = V<sub>SS</sub> = 0 V)

Parameter	Symbol	Condition	MIN.	TYP.	MAX.	Units
Input capacitance	C <sub>i</sub>	f <sub>c</sub> = 1 MHz			15	pF
I/O capacitance	C <sub>io</sub>	All pins are 0 V except for testing pin.			15	pF
Output capacitance	C <sub>o</sub>				15	pF

★ Recommended Operating Conditions

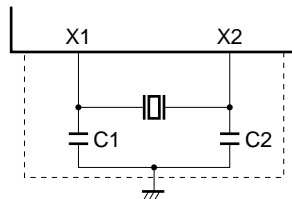
Operation Mode	Internal Operating Clock Frequency ( $\phi$ )	Operating Ambient Temperature ( $T_A$ )	Power Supply Voltage ( $V_{DD}$ )
Direct mode	0 to 33 MHz <sup>Note 1</sup>	-40 to +85°C	5.0 V $\pm$ 10%
	5 to 33 MHz <sup>Note 2</sup>	-40 to +85°C	5.0 V $\pm$ 10%
PLL mode	Free-running oscillation frequency to 33 MHz	-40 to +85°C	5.0 V $\pm$ 10%

- Notes**
1. When not using A/D converter
  2. When using A/D converter

**Remark** The range of internal operating clock frequency in PLL mode is the assured range of function operation. PLL locked frequency is specified by  $t_{CYX}$ .

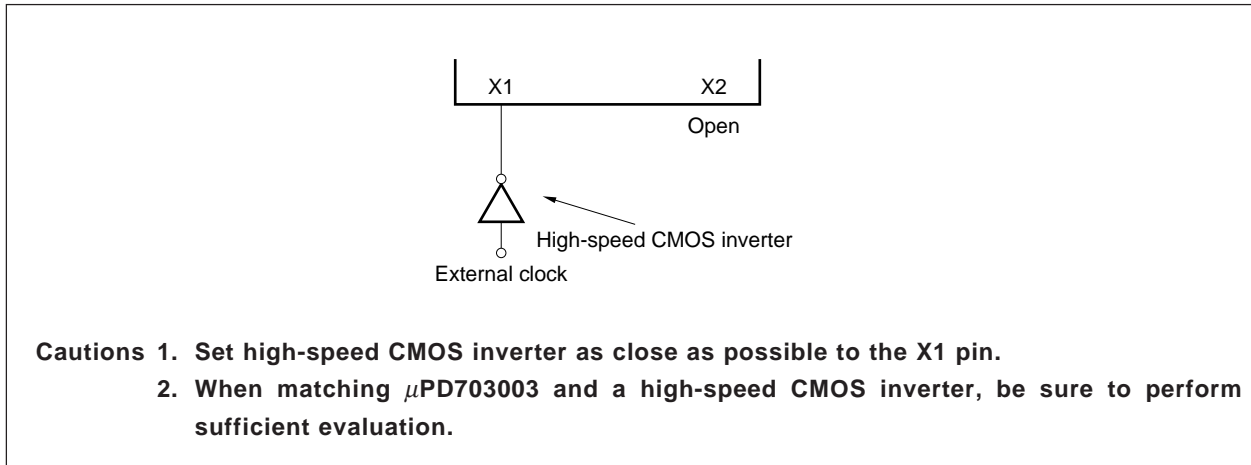
★ Recommended Oscillator

(a) Ceramic oscillation resonator connection ( $T_A = -40$  to  $+85^\circ\text{C}$ )



Manufacturer	Part Number	Oscillation Frequency $f_{XX}$ (MHz)	Recommended Circuit Constant		Oscillation Voltage Range		Oscillation Stabilization Time (MAX.) $T_{OST}$ (ms)
			C1 (pF)	C2 (pF)	MIN. (V)	MAX. (V)	
TDK	CCR5.0MC3	5.0	On-chip	On-chip	4.5	5.5	0.36
	FCR5.0MC5	5.0	On-chip	On-chip	4.5	5.5	0.32
	CCR6.6MC3	6.6	On-chip	On-chip	4.5	5.5	0.28
Murata Mfg.	CSA5.00MG040	5.0	100	100	4.5	5.5	0.46
	CST5.00MGW040	5.0	On-chip	On-chip	4.5	5.5	0.46
	CSA6.60MTZ040	6.6	100	100	4.5	5.5	0.42
	CST6.60MTW040	6.6	On-chip	On-chip	4.5	5.5	0.42

- Cautions**
1. Set the oscillator as close to the X1 and X2 pins as possible.
  2. No other signal lines should be wired in the area enclosed by broken lines.
  3. When matching μPD703003 with a resonator, be sure to perform sufficient evaluation.

**(b) External clock input**

- Cautions**
1. Set high-speed CMOS inverter as close as possible to the X1 pin.
  2. When matching  $\mu$ PD703003 and a high-speed CMOS inverter, be sure to perform sufficient evaluation.

DC Characteristics (T<sub>A</sub> = -40 to +85°C, V<sub>DD</sub> = 5.0 V ±10%, V<sub>SS</sub> = 0 V)

(1/2)

Parameter	Symbol	Condition	MIN.	TYP.	MAX.	Units
High-level input voltage	V <sub>IH</sub>	Except for X1 and pins listed in <b>Note</b>	2.2		V <sub>DD</sub> + 0.3	V
		<b>Note</b>	0.8 V <sub>DD</sub>		V <sub>DD</sub> + 0.3	V
Low-level input voltage	V <sub>IL</sub>	Except for X1 and pins listed in <b>Note</b>	-0.5		+0.8	V
		<b>Note</b>	-0.5		0.2 V <sub>DD</sub>	V
High-level clock input voltage	V <sub>XH</sub>	X1	0.8 V <sub>DD</sub>		V <sub>DD</sub> + 0.5	V
Low-level clock input voltage	V <sub>XL</sub>	X1	-0.5		+0.6	V
Schmitt trigger input Threshold voltage	V <sub>T+</sub>	<b>Note</b> , rising edge		3.0		V
	V <sub>T-</sub>	<b>Note</b> , falling edge		2.0		V
Schmitt trigger input hysteresis width	V <sub>T+</sub> - V <sub>T-</sub>	<b>Note</b>	0.5			V
High-level output voltage	V <sub>OH</sub>	I <sub>OH</sub> = -2.5 mA	0.7 V <sub>DD</sub>			V
		I <sub>OH</sub> = -100 μA	V <sub>DD</sub> - 0.5			V
Low-level output voltage	V <sub>OL</sub>	I <sub>OL</sub> = 2.5 mA			0.45	V
High-level input leak current	I <sub>LIH</sub>	V <sub>i</sub> = V <sub>DD</sub>			10	μA
Low-level input leak current	I <sub>LIL</sub>	V <sub>i</sub> = 0 V			-10	μA
High-level output leak current	I <sub>LOH</sub>	V <sub>o</sub> = V <sub>DD</sub>			10	μA
Low-level output leak current	I <sub>LOL</sub>	V <sub>o</sub> = 0 V			-10	μA
Software pull-up resistance	R	P35/INTP131/SO3, P36/INTP132/SI3, P37/INTP133/SCK3	15	40	90	kΩ

★

**Note** P02/TCLR11, P03/TI11, P04/INTP110 to P07/INTP113, P12/TCLR12, P13/TI12, P14/INTP120, P15/INTP121/SO2, P16/INTP122/SI2, P17/INTP123/SCK2, P23/RXD0/SI0, P24/SCK0, P26/RXD1/SI1, P27/SCK1, P32/TCLR32, P33/TI13, P34/INTP130, P35/INTP131/SO3, P36/INTP132/SI3, P37/INTP133/SCK3, P112/TCLR14, P113/TI14, P114/INTP140 to P117/INTP143, RESET, NMI, MODE

**Remarks** 1. TYP. values are reference values for when T<sub>A</sub> = 25°C and V<sub>DD</sub> = 5.0 V.  
2. φ = Internal system clock frequency



★ DC Characteristics (T<sub>A</sub> = -40 to +85°C, V<sub>DD</sub> = 5.0 V ±10%, V<sub>SS</sub> = 0 V) (2/2)

Parameter		Symbol	Condition	MIN.	TYP.	MAX.	Units
Power supply current	When operating	I <sub>DD1</sub>	Direct mode <sup>Note</sup>		2.4 × φ + 6	2.8 × φ + 19	mA
			PLL mode		2.5 × φ + 8	2.9 × φ + 22	mA
	During HALT mode	I <sub>DD2</sub>	Direct mode <sup>Note</sup>		1.4 × φ + 5	1.5 × φ + 18	mA
			PLL mode		1.5 × φ + 7	1.6 × φ + 20	mA
	During IDLE mode	I <sub>DD3</sub>	Direct mode <sup>Note</sup>		18.6 × φ + 100	22 × φ + 200	μA
			PLL mode		0.05 × φ + 4	0.1 × φ + 8	mA
	During STOP mode	I <sub>DD4</sub>	-40°C ≤ T <sub>A</sub> ≤ +50°C		2	50	μA
			50°C < T <sub>A</sub> ≤ 85°C		2	200	μA

**Note** When using A/D converter: φ = 5 to 33 MHz  
 When not using A/D converter: φ = 0 to 33 MHz

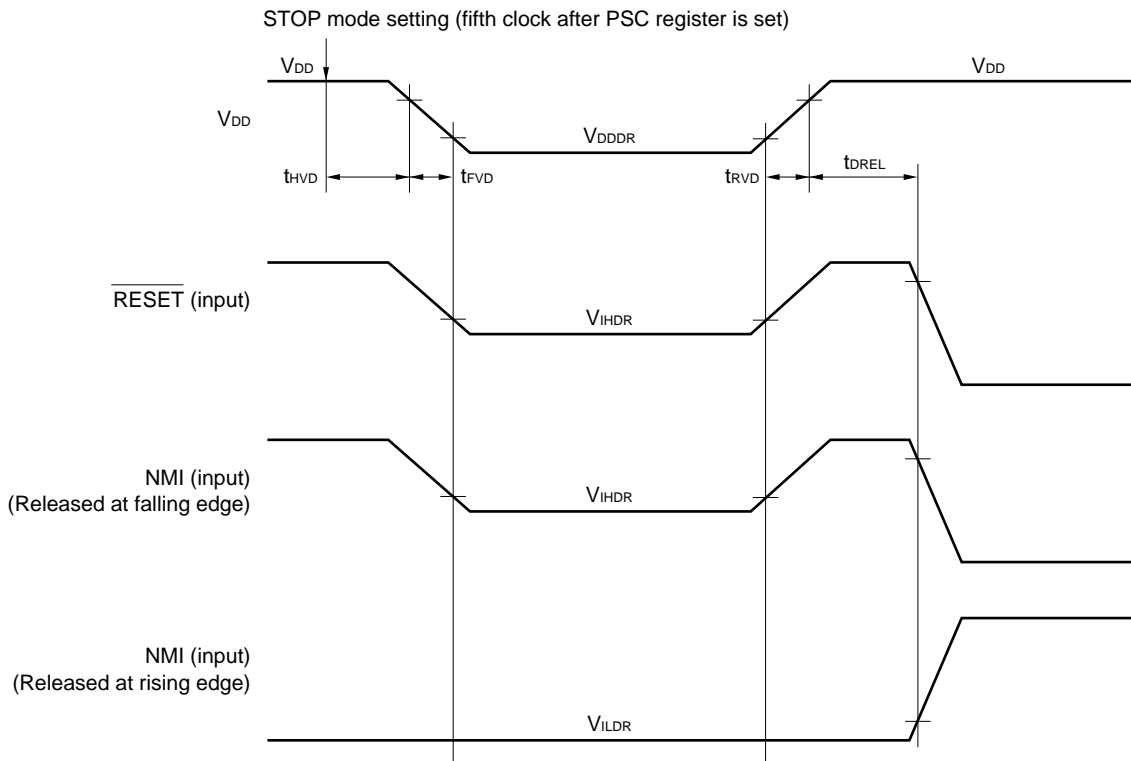
**Remarks** 1. TYP. values are reference values for when T<sub>A</sub> = 25°C and V<sub>DD</sub> = 5.0 V. The power supply current does not include AV<sub>REF1</sub> to AV<sub>REF3</sub> or the current that flows across the software pull-up resistance.  
 2. φ = Internal system clock frequency

Data Hold Characteristics (T<sub>A</sub> = -40 to +85°C)

Parameter	Symbol	Conditions	MIN.	TYP.	MAX.	Units
Data hold voltage	V <sub>DDDR</sub>	STOP mode	1.5		5.5	V
★ Data hold current	I <sub>DDDR</sub>	V <sub>DD</sub> = V <sub>DDDR</sub>	-40°C ≤ T <sub>A</sub> ≤ +50°C	0.2 V <sub>DDDR</sub>	50	μA
			50°C < T <sub>A</sub> ≤ 85°C	0.2 V <sub>DDDR</sub>	200	μA
Power supply voltage rise time	t <sub>rVD</sub>		200			μs
Power supply voltage fall time	t <sub>fVD</sub>		200			μs
Power supply voltage hold time (vs. STOP mode setting)	t <sub>hVD</sub>		0			ms
STOP mode release signal input time	t <sub>dREL</sub>		0			ns
Data hold high-level input voltage	V <sub>IHDR</sub>	<b>Note</b>	0.9 V <sub>DDDR</sub>		V <sub>DDDR</sub>	V
Data hold low-level input voltage	V <sub>ILDR</sub>	<b>Note</b>	0		0.1 V <sub>DDDR</sub>	V

**Note** P02/TCLR11, P03/TI11, P04/INTP110 to P07/INTP113, P12/TCLR12, P13/TI12, P14/INTP120, P15/INTP121/SO2, P16/INTP122/SI2, P17/INTP123/SCK2, P23/RXD0/SI0, P24/SCK0, P26/RXD1/SI1, P27/SCK1, P32/TCLR32, P33/TI13, P34/INTP130, P35/INTP131/SO3, P36/INTP132/SI3, P37/INTP133/SCK3, P112/TCLR14, P113/TI14, P114/INTP140 to P117/INTP143, RESET, NMI, MODE, X1

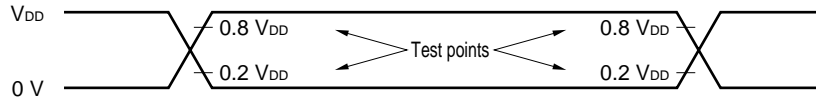
**Remark** TYP. values are reference values for when T<sub>A</sub> = 25°C and V<sub>DD</sub> = 5.0 V.



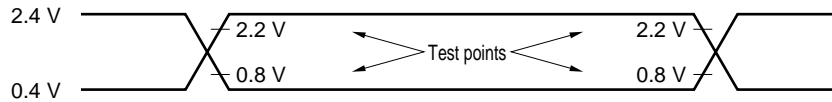
AC Characteristics ( $T_A = -40$  to  $+85^\circ\text{C}$ ,  $V_{DD} = 5\text{ V} \pm 10\%$ ,  $V_{SS} = 0\text{ V}$ )

AC test input waveform

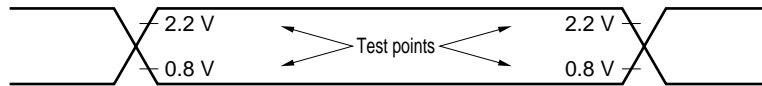
- (a) P02/TCLR11, P03/TI11, P04/INTP110 to P07/INTP113, P12/TCLR12, P13/TI12, P14/INTP120, P15/INTP121/SO2, P16/INTP122/SI2, P17/INTP123/ $\overline{\text{SCK2}}$ , P23/RXD0/SI0, P24/ $\overline{\text{SCK0}}$ , P26/RXD1/SI1, P27/ $\overline{\text{SCK1}}$ , P32/TCLR32, P33/TI13, P34/INTP130, P35/INTP131/SO3, P36/INTP132/SI3, P37/INTP133/ $\overline{\text{SCK3}}$ , P112/TCLR14, P113/TI14, P114/INTP140 to P117/INTP143,  $\overline{\text{RESET}}$ , NMI, MODE, X1



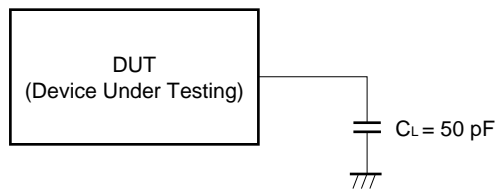
- (b) Pins other than those listed in (a) above



AC test output test points



Load condition



**Caution** In cases where the load capacitance is greater than 50 pF due to the circuit configuration, insert a buffer or other element to reduce the device's load capacitance to below 50 pF.

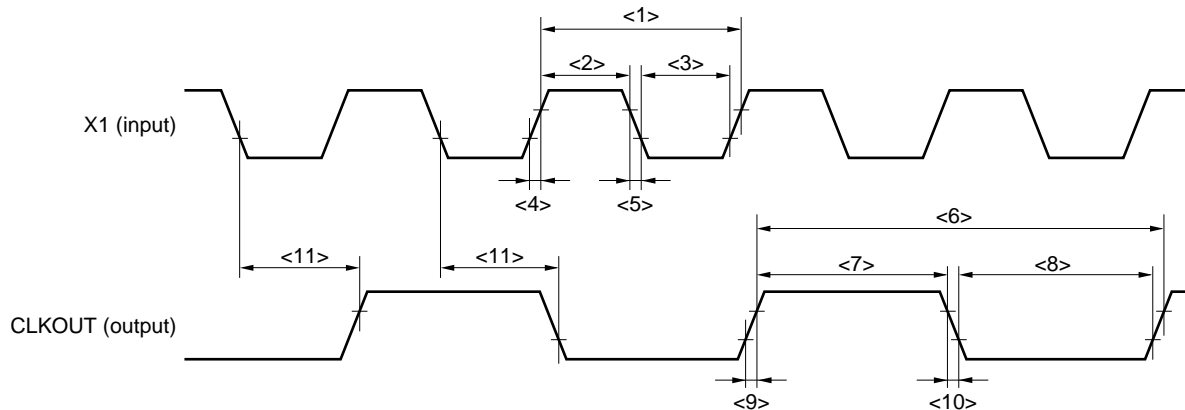
(1) Clock timing

Parameter	Symbol		Conditions	25-MHz Version		33-MHz Version		Units
				MIN.	MAX.	MIN.	MAX.	
★ X1 input cycle	<1>	t <sub>CYX</sub>	Direct mode	20	<b>Note 1</b>	15	<b>Note 1</b>	ns
			PLL mode (PLL locked)	200	250	150	250	ns
★ X1 input high-level width	<2>	t <sub>WXH</sub>	Direct mode	7		6		ns
			PLL mode	80		60		ns
X1 input low-level width	<3>	t <sub>WXL</sub>	Direct mode	7		6		ns
			PLL mode	80		60		ns
X1 input rise time	<4>	t <sub>XR</sub>	Direct mode		7		7	ns
			PLL mode		15		10	ns
X1 input fall time	<5>	t <sub>XF</sub>	Direct mode		7		7	ns
			PLL mode		15		10	ns
★ CPU operating frequency	—	φ	Direct mode	<b>Note 2</b>	25	<b>Note 2</b>	33	MHz
			PLL mode	<b>Note 3</b>	25	<b>Note 3</b>	33	MHz
★ CLKOUT output cycle	<6>	t <sub>CYK</sub>		40	<b>Note 4</b>	30	<b>Note 4</b>	ns
CLKOUT input high-level width	<7>	t <sub>WKH</sub>		0.5T – 5		0.5T – 5		ns
CLKOUT input low-level width	<8>	t <sub>WKL</sub>		0.5T – 5		0.5T – 5		ns
CLKOUT input rise time	<9>	t <sub>KR</sub>			5		5	ns
CLKOUT input fall time	<10>	t <sub>KF</sub>			5		5	ns
X1 ↓ → CLKOUT delay time	<11>	t <sub>DXK</sub>	Direct mode	3	17	3	17	ns

- ★ **Notes** 1. When using A/D converter : 100 ns  
When not using A/D converter : DC
- ★ 2. When using A/D converter : 5 MHz  
When not using A/D converter : 0 MHz
- ★ 3. Free-running oscillation frequency
- ★ 4. When using A/D converter : 200 ns  
When not using A/D converter : DC

**Remark** T = t<sub>CYK</sub>

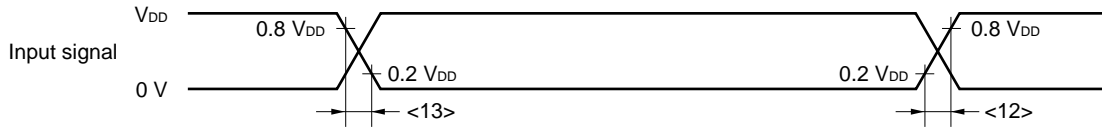
Parameter	Symbol		Conditions	TYP.	Units
Free-running oscillation frequency	—	φ <sub>P</sub>	PLL mode	5	MHz



(2) Input waveform

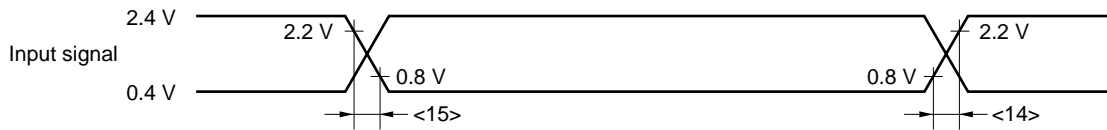
- (a) P02/TCLR11, P03/TI11, P04/INTP110 to P07/INTP113, P12/TCLR12, P13/TI12, P14/INTP120, P15/INTP121/SO2, P16/INTP122/SI2, P17/INTP123/SCK2, P23/RXD0/SI0, P24/SCK0, P26/RXD1/SI1, P27/SCK1, P32/TCLR32, P33/TI13, P34/INTP130, P35/INTP131/SO3, P36/INTP132/SI3, P37/INTP133/SCK3, P112/TCLR14, P113/TI14, P114/INTP140 to P117/INTP143, RESET, NMI, MODE

Parameter	Symbol	Conditions	25-MHz Version		33-MHz Version		Units
			MIN.	MAX.	MIN.	MAX.	
Input rise time	<12> $t_{IR2}$			20		20	ns
Input fall time	<13> $t_{IF2}$			20		20	ns



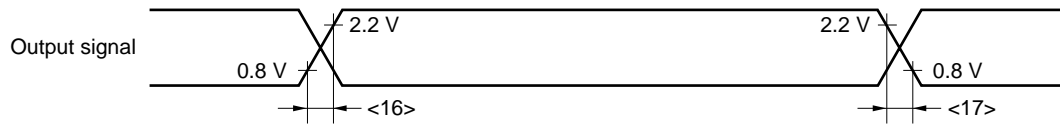
- (b) Pins other than those listed in (a) above

Parameter	Symbol	Conditions	25-MHz Version		33-MHz Version		Units
			MIN.	MAX.	MIN.	MAX.	
Input rise time	<14> $t_{IR1}$			10		10	ns
Input fall time	<15> $t_{IF1}$			10		10	ns



★ (3) Output waveform (other than CLKOUT)

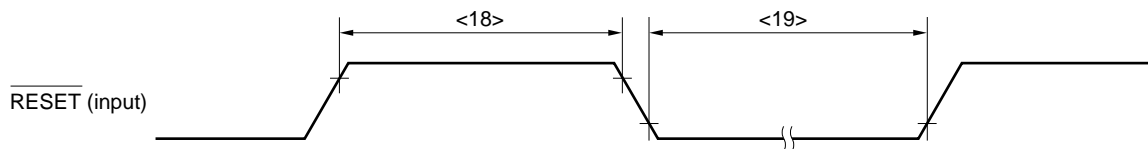
Parameter	Symbol	Conditions	25-MHz Version		33-MHz Version		Units
			MIN.	MAX.	MIN.	MAX.	
Output rise time	<16> $t_{OR}$			12		12	ns
Output fall time	<17> $t_{OF}$			12		12	ns



(4) Reset timing

Parameter	Symbol	Conditions	25-MHz Version		33-MHz Version		Units
			MIN.	MAX.	MIN.	MAX.	
$\overline{\text{RESET}}$ high-level width	<18> $t_{WRSH}$		500		500		ns
$\overline{\text{RESET}}$ low-level width	<19> $t_{WRSL}$	When power supply is ON and STOP mode has been released	$500 + T_{OST}$		$500 + T_{OST}$		ns
		Other than when power supply is ON and STOP mode has been released	500		500		ns

**Remark**  $T_{OST}$ : Oscillation stabilization time



[MEMO]

(5) Read timing (1/2)

Parameter	Symbol	Conditions	25-MHz Version		33-MHz Version		Units
			MIN.	MAX.	MIN.	MAX.	
CLKOUT↑ → address delay time	<20> t <sub>DKA</sub>		3	20	3	20	ns
★ CLKOUT↑ → $\overline{R\overline{W}}$ , $\overline{UBEN}$ , $\overline{LBEN}$ delay time	<78> t <sub>DKA2</sub>		-2	+13	-2	+13	ns
CLKOUT↑ → address float delay time	<21> t <sub>FKA</sub>		3	15	3	15	ns
★ CLKOUT↓ → ASTB delay time	<22> t <sub>DKST</sub>		-2	+13	-2	+13	ns
★ CLKOUT↑ → $\overline{DSTB}$ delay time	<23> t <sub>DKD</sub>		-2	+13	-2	+13	ns
★ Data input setup time (to CLKOUT↑)	<24> t <sub>SIDK</sub>		7		7		ns
Data input hold time (from CLKOUT↑)	<25> t <sub>HKID</sub>		5		5		ns
★ $\overline{WAIT}$ setup time (to CLKOUT↓)	<26> t <sub>SWTK</sub>		8		8		ns
$\overline{WAIT}$ hold time (from CLKOUT↓)	<27> t <sub>HKWT</sub>		5		5		ns
Address hold time (from CLKOUT↑)	<28> t <sub>HKA</sub>		0		0		ns
Address setup time (to ASTB↓)	<29> t <sub>SAST</sub>		0.5T - 10		0.5T - 10		ns
Address hold time (from ASTB↓)	<30> t <sub>HSTA</sub>		0.5T - 10		0.5T - 10		ns
$\overline{DSTB}$ ↓ → address float delay time	<31> t <sub>FDA</sub>			0		0	ns
Data input setup time (to address)	<32> t <sub>SAID</sub>			(2 + n)T - 20		(2 + n)T - 20	ns
Data input setup time (to $\overline{DSTB}$ ↓)	<33> t <sub>SDID</sub>			(1 + n)T - 20		(1 + n)T - 20	ns
ASTB↓ → $\overline{DSTB}$ ↓ delay time	<34> t <sub>DSTD</sub>		0.5T - 10		0.5T - 10		ns
Data input hold time (from $\overline{DSTB}$ ↑)	<35> t <sub>HDID</sub>		0		0		ns
★ $\overline{DSTB}$ ↑ → address output delay time	<36> t <sub>DDA</sub>		(1 + i)T - 3		(1 + i)T - 3		ns
$\overline{DSTB}$ ↑ → ASTB↑ delay time	<37> t <sub>DDSTH</sub>		0.5T - 10		0.5T - 10		ns
$\overline{DSTB}$ ↑ → ASTB↓ delay time	<38> t <sub>DDSTL</sub>		(1.5 + i)T - 10		(1.5 + i)T - 10		ns
$\overline{DSTB}$ low-level width	<39> t <sub>WDL</sub>		(1 + n)T - 10		(1 + n)T - 10		ns
ASTB high-level width	<40> t <sub>WSTH</sub>		T - 10		T - 10		ns
$\overline{WAIT}$ setup time (to address)	<41> t <sub>SAWT1</sub>	n ≥ 1		1.5T - 20		1.5T - 20	ns
	<42> t <sub>SAWT2</sub>			(1.5 + n)T - 20		(1.5 + n)T - 20	ns
$\overline{WAIT}$ hold time (from address)	<43> t <sub>HAWT1</sub>	n ≥ 1	(0.5 + n)T		(0.5 + n)T		ns
	<44> t <sub>HAWT2</sub>		(1.5 + n)T		(1.5 + n)T		ns
$\overline{WAIT}$ setup time (to ASTB↓)	<45> t <sub>SSTWT1</sub>	n ≥ 1		T - 15		T - 15	ns
	<46> t <sub>SSTWT2</sub>			(1 + n)T - 15		(1 + n)T - 15	ns
$\overline{WAIT}$ hold time (from ASTB↓)	<47> t <sub>HSTWT1</sub>	n ≥ 1	nT		nT		ns
	<48> t <sub>HSTWT2</sub>		(1 + n)T		(1 + n)T		ns

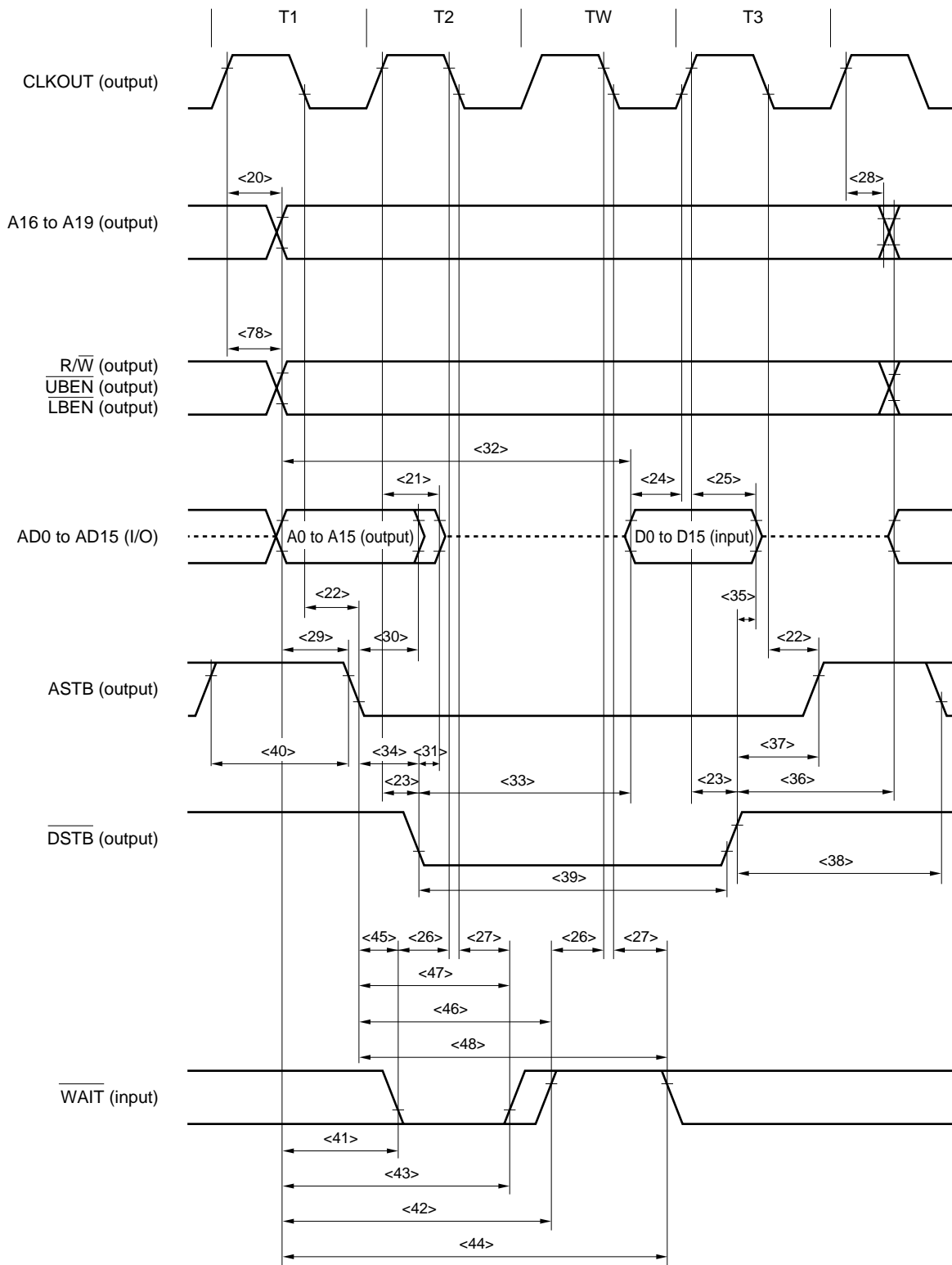
Remarks 1. T = t<sub>cyk</sub>

2. n indicates the number of wait clocks that are inserted during a bus cycle. The sampling timing may vary when using the programmable wait insertion function.
3. i indicates the number of idle states (0 or 1) that are inserted after a read cycle.
4. Maintain at least one of the two data input hold times, either t<sub>HKID</sub> (<25>) or t<sub>HDID</sub> (<35>).



(5) Read timing (2/2): 1 wait

★



**Remark** Broken line indicates high impedance.

(6) Write timing (1/2)

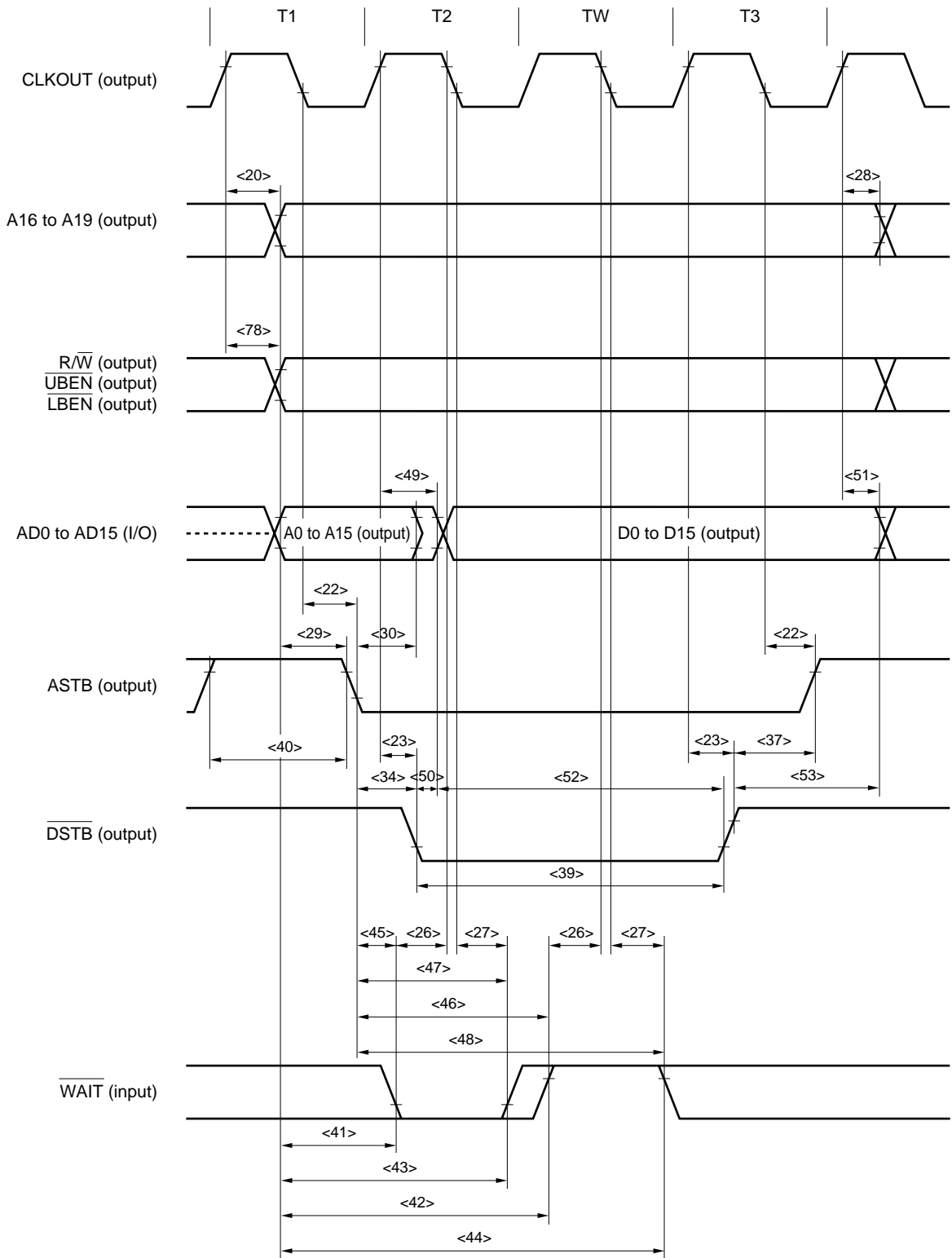
Parameter	Symbol	Conditions	25-MHz Version		33-MHz Version		Units
			MIN.	MAX.	MIN.	MAX.	
CLKOUT↑ → address delay time	<20> tDKA		3	20	3	20	ns
★ CLKOUT↑ → $\overline{RW}$ , $\overline{UBEN}$ , $\overline{LBEN}$ delay time	<78> tDKA2		-2	+13	-2	+13	ns
★ CLKOUT↓ → ASTB delay time	<22> tDKST		-2	+13	-2	+13	ns
★ CLKOUT↑ → $\overline{DSTB}$ delay time	<23> tDKD		-2	+13	-2	+13	ns
★ $\overline{WAIT}$ setup time (to CLKOUT↓)	<26> tsWTK		8		8		ns
$\overline{WAIT}$ hold time (from CLKOUT↓)	<27> tHKWT		5		5		ns
Address hold time (from CLKOUT↑)	<28> tHKA		0		0		ns
Address setup time (to ASTB↓)	<29> tsAST		0.5T - 10		0.5T - 10		ns
Address hold time (from ASTB↓)	<30> tHSTA		0.5T - 10		0.5T - 10		ns
ASTB↓ → $\overline{DSTB}$ ↓ delay time	<34> tDSTD		0.5T - 10		0.5T - 10		ns
$\overline{DSTB}$ ↑ → ASTB↑ delay time	<37> tDDSTH		0.5T - 10		0.5T - 10		ns
$\overline{DSTB}$ low-level width	<39> tWDL		(1 + n)T - 10		(1 + n)T - 10		ns
ASTB high-level width	<40> tWSTH		T - 10		T - 10		ns
$\overline{WAIT}$ setup time (to address)	<41> tsAWT1	n ≥ 1		1.5T - 20		1.5T - 20	ns
	<42> tsAWT2			(1.5 + n)T - 20		(1.5 + n)T - 20	ns
$\overline{WAIT}$ hold time (from address)	<43> tHAWT1	n ≥ 1	(0.5 + n)T		(0.5 + n)T		ns
	<44> tHAWT2		(1.5 + n)T		(1.5 + n)T		ns
$\overline{WAIT}$ setup time (to ASTB↓)	<45> tsSTWT1	n ≥ 1		T - 15		T - 15	ns
	<46> tsSTWT2			(1 + n)T - 15		(1 + n)T - 15	ns
$\overline{WAIT}$ hold time (from ASTB↓)	<47> tHSTWT1	n ≥ 1	nT		nT		ns
	<48> tHSTWT2		(1 + n)T		(1 + n)T		ns
CLKOUT↑ → data output delay time	<49> tDKOD			20		20	ns
$\overline{DSTB}$ ↓ → data output delay time	<50> tDDOD			10		10	ns
Data output hold time (from CLKOUT↑)	<51> tHKOD		0		0		ns
Data output setup time (to $\overline{DSTB}$ ↑)	<52> tsODD		(1 + n)T - 15		(1 + n)T - 15		ns
Data output hold time (from $\overline{DSTB}$ ↑)	<53> tHDOD		T - 10		T - 10		ns

Remarks 1. T = t<sub>CYK</sub>

2. n indicates the number of wait clocks that are inserted during a bus cycle. The sampling timing may vary when using the programmable wait insertion function.

(6) Write timing (2/2): 1 wait

★



**Remark** Broken line indicates high impedance.

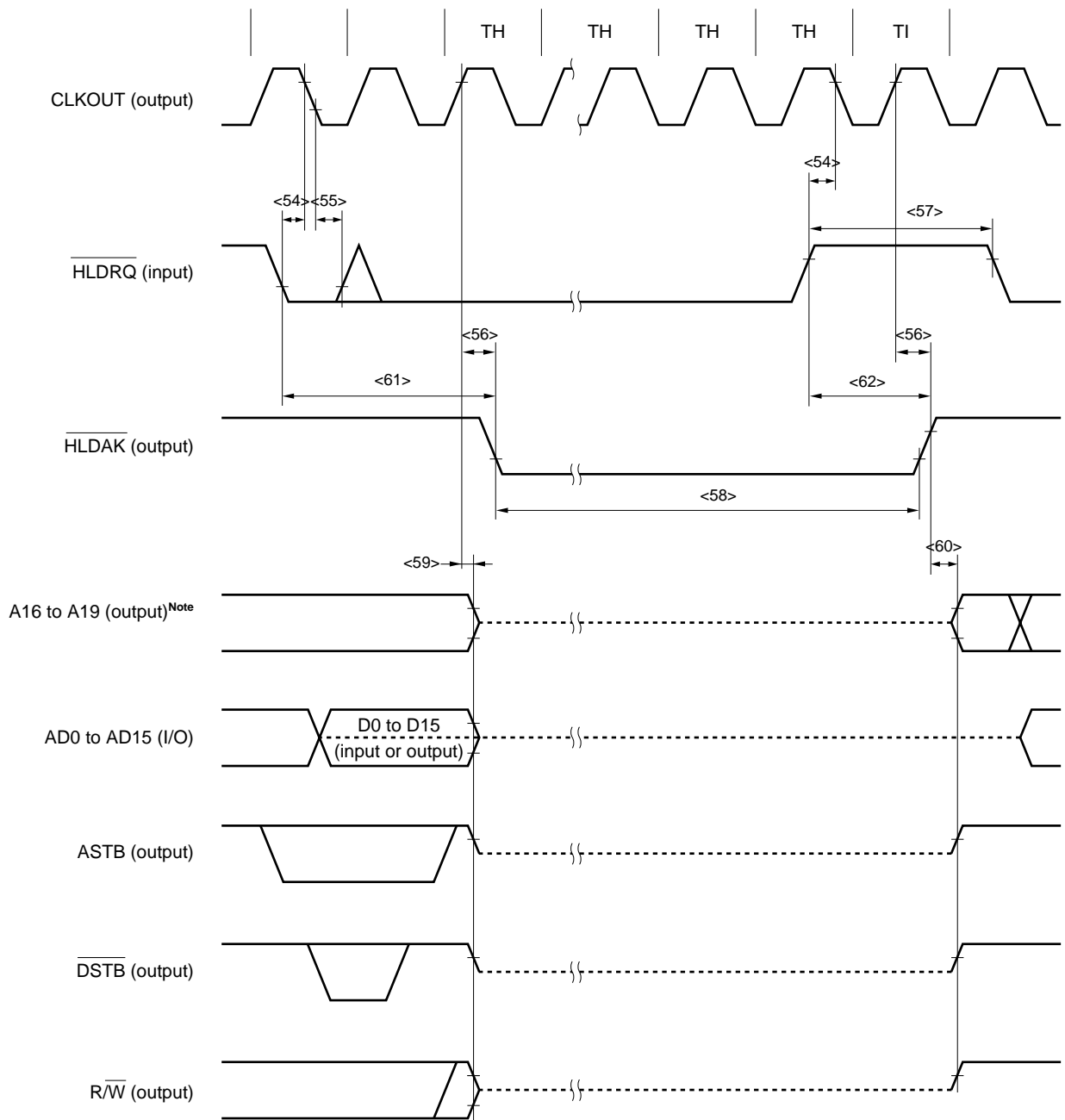
(7) Bus hold timing (1/2)

Parameter	Symbol		Conditions	25-MHz Version		33-MHz Version		Units
				MIN.	MAX.	MIN.	MAX.	
★ $\overline{\text{HLDRQ}}$ setup time (to CLKOUT↓)	<54>	t <sub>SHQK</sub>		8		8		ns
$\overline{\text{HLDRQ}}$ hold time (from CLKOUT↓)	<55>	t <sub>HKHQ</sub>		5		5		ns
CLKOUT↑ → $\overline{\text{HLDAK}}$ delay time	<56>	t <sub>DKHA</sub>			20		20	ns
$\overline{\text{HLDRQ}}$ high-level width	<57>	t <sub>WHQH</sub>		T + 10		T + 10		ns
$\overline{\text{HLDAK}}$ low-level width	<58>	t <sub>WHAL</sub>		T - 10		T - 10		ns
★ CLKOUT↑ → bus float delay time	<59>	t <sub>DKF</sub>			20		20	ns
$\overline{\text{HLDAK}}$ ↑ → bus output delay time	<60>	t <sub>DHAC</sub>		-3		-3		ns
$\overline{\text{HLDRQ}}$ ↓ → $\overline{\text{HLDAK}}$ ↓ delay time	<61>	t <sub>DHQHA1</sub>			(2n + 7.5)T + 20		(2n + 7.5)T + 20	ns
$\overline{\text{HLDRQ}}$ ↑ → $\overline{\text{HLDAK}}$ ↑ delay time	<62>	t <sub>DHQHA2</sub>		0.5T	1.5T + 20	0.5T	1.5T + 20	ns

Remarks 1. T = t<sub>CYK</sub>

2. n indicates the number of wait clocks that are inserted during a bus cycle. The sampling timing may vary when using the programmable wait insertion function.

(7) Bus hold timing (2/2)



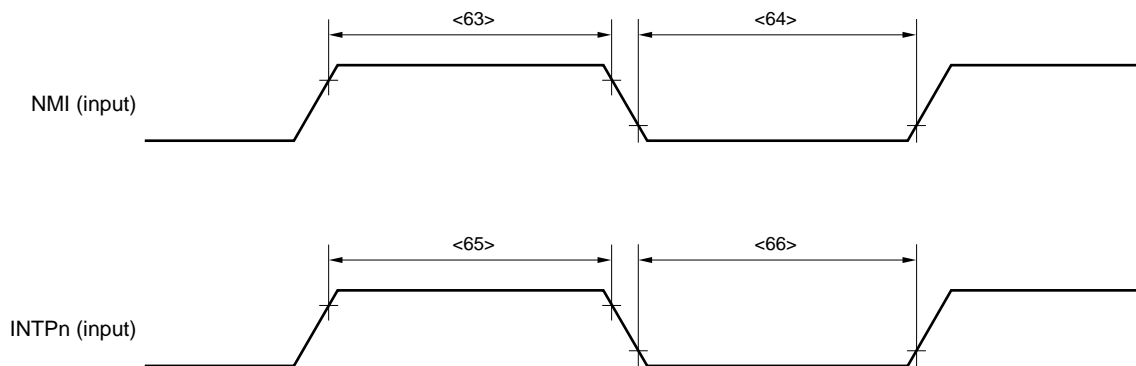
**Note**  $\overline{\text{UBEN}}$  (output),  $\overline{\text{LBEN}}$  (output)

**Remark** Broken line indicates high impedance.

(8) Interrupt timing

Parameter	Symbol		Conditions	25-MHz Version		33-MHz Version		Units
				MIN.	MAX.	MIN.	MAX.	
NMI high-level width	<63>	t <sub>WNH</sub>		500		500		ns
NMI low-level width	<64>	t <sub>WNL</sub>		500		500		ns
INTPn high-level width	<65>	t <sub>WITH</sub>	n = 110 to 113, 120 to 123, 130 to 133, 140 to 143	3T + 10		3T + 10		ns
INTPn low-level width	<66>	t <sub>WITL</sub>	n = 110 to 113, 120 to 123, 130 to 133, 140 to 143	3T + 10		3T + 10		ns

**Remark** T = t<sub>cyk</sub>



**Remark** n = 110 to 113, 120 to 123, 130 to 133, 140 to 143

[MEMO]

(9) CSI timing (1/2)

(a) Master mode

(i) Timing of CSI0 to CSI2

Parameter	Symbol		Conditions	25-MHz Version		33-MHz Version		Units
				MIN.	MAX.	MIN.	MAX.	
$\overline{\text{SCKn}}$ cycle	<67>	$t_{\text{CYSK1}}$	Output	160		120		ns
$\overline{\text{SCKn}}$ high-level width	<68>	$t_{\text{WSKH1}}$	Output	$0.5t_{\text{CYSK1}} - 20$		$0.5t_{\text{CYSK1}} - 20$		ns
$\overline{\text{SCKn}}$ low-level width	<69>	$t_{\text{WSKL1}}$	Output	$0.5t_{\text{CYSK1}} - 20$		$0.5t_{\text{CYSK1}} - 20$		ns
★ SIn setup time (to $\overline{\text{SCKn}}\uparrow$ )	<70>	$t_{\text{SSISK1}}$		50		50		ns
SIn hold time (from $\overline{\text{SCKn}}\uparrow$ )	<71>	$t_{\text{HSKS1}}$		0		0		ns
SOn output delay time (to $\overline{\text{SCKn}}\downarrow$ )	<72>	$t_{\text{DSKSO1}}$			18		18	ns
SOn output hold time (from $\overline{\text{SCKn}}\uparrow$ )	<73>	$t_{\text{HSKSO1}}$		$0.5t_{\text{CYSK1}} - 5$		$0.5t_{\text{CYSK1}} - 5$		ns

Remark n = 0 to 2

★ (ii) Timing of CSI3

Parameter	Symbol		Conditions	25-MHz Version		33-MHz Version		Units	
				MIN.	MAX.	MIN.	MAX.		
$\overline{\text{SCK3}}$ cycle	<67>	$t_{\text{CYSK3}}$	Output	$R_L = 1.5 \text{ k}\Omega$ $C_L = 50 \text{ pF}$	500		500		ns
$\overline{\text{SCK3}}$ high-level width	<68>	$t_{\text{WSKH3}}$	Output		$0.5t_{\text{CYSK3}} - 150$		$0.5t_{\text{CYSK3}} - 150$		ns
$\overline{\text{SCK3}}$ low-level width	<69>	$t_{\text{WSKL3}}$	Output		$0.5t_{\text{CYSK3}} - 70$		$0.5t_{\text{CYSK3}} - 70$		ns
SI3 setup time (to $\overline{\text{SCK3}}\uparrow$ )	<70>	$t_{\text{SSISK3}}$		100		100		ns	
SI3 hold time (from $\overline{\text{SCK3}}\uparrow$ )	<71>	$t_{\text{HSKS3}}$		50		50		ns	
SO3 output delay time (to $\overline{\text{SCK3}}\downarrow$ )	<72>	$t_{\text{DSKSO3}}$	$R_L = 1.5 \text{ k}\Omega$ $C_L = 50 \text{ pF}$		150		150	ns	
SO3 output hold time (from $\overline{\text{SCK3}}\uparrow$ )	<73>	$t_{\text{HSKSO3}}$			$t_{\text{WSKH3}}$		$t_{\text{WSKH3}}$		ns

Remark  $R_L$  and  $C_L$  are the load resistance and load capacitance of the output line for  $\overline{\text{SCK3}}$  and SO3.

(b) Slave mode

(i) Timing of CSI0 to CSI2

Parameter	Symbol		Conditions	25-MHz Version		33-MHz Version		Units
				MIN.	MAX.	MIN.	MAX.	
$\overline{\text{SCKn}}$ cycle	<67>	$t_{\text{CYSK2}}$	Input	160		120		ns
$\overline{\text{SCKn}}$ high-level width	<68>	$t_{\text{WSKH2}}$	Input	50		30		ns
$\overline{\text{SCKn}}$ low-level width	<69>	$t_{\text{WSKL2}}$	Input	50		30		ns
SIn setup time (to $\overline{\text{SCKn}}\uparrow$ )	<70>	$t_{\text{SSISK2}}$		10		10		ns
SIn hold time (from $\overline{\text{SCKn}}\uparrow$ )	<71>	$t_{\text{HSKS2}}$		10		10		ns
★ SOn output delay time (to $\overline{\text{SCKn}}\downarrow$ )	<72>	$t_{\text{DSKSO2}}$			45		45	ns
SOn output hold time (from $\overline{\text{SCKn}}\uparrow$ )	<73>	$t_{\text{HSKSO2}}$		$t_{\text{WSKH2}}$		$t_{\text{WSKH2}}$		ns

Remark n = 0 to 2

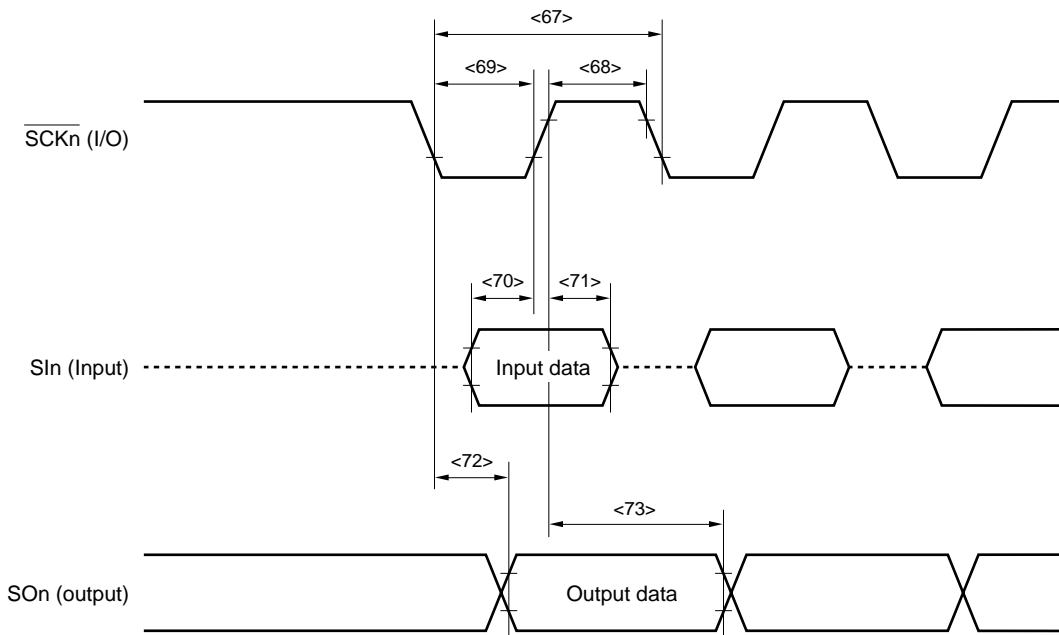


(9) CSI timing (2/2)

(ii) Timing of CSI3

Parameter	Symbol	Conditions	25-MHz Version		33-MHz Version		Units
			MIN.	MAX.	MIN.	MAX.	
SCK3 cycle	<67>	$t_{CYSK4}$	500		500		ns
SCK3 high-level width	<68>	$t_{WSKH4}$	100		100		ns
SCK3 low-level width	<69>	$t_{WSKL4}$	180		180		ns
SI3 setup time (to SCK3↑)	<70>	$t_{SSISK4}$	100		100		ns
SI3 hold time (from SCK3↑)	<71>	$t_{HSKSI4}$	50		50		ns
SO3 output delay time (to SCK3↓)	<72>	$t_{DSKSO4}$		150		150	ns
SO3 output hold time (from SCK3↑)	<73>	$t_{HSKSO4}$	$t_{WSKH4}$		$t_{WSKH4}$		ns

**Remark**  $R_L$  is the load resistance and  $C_L$  is the load capacitance of the output line for SCK3 and SO3.

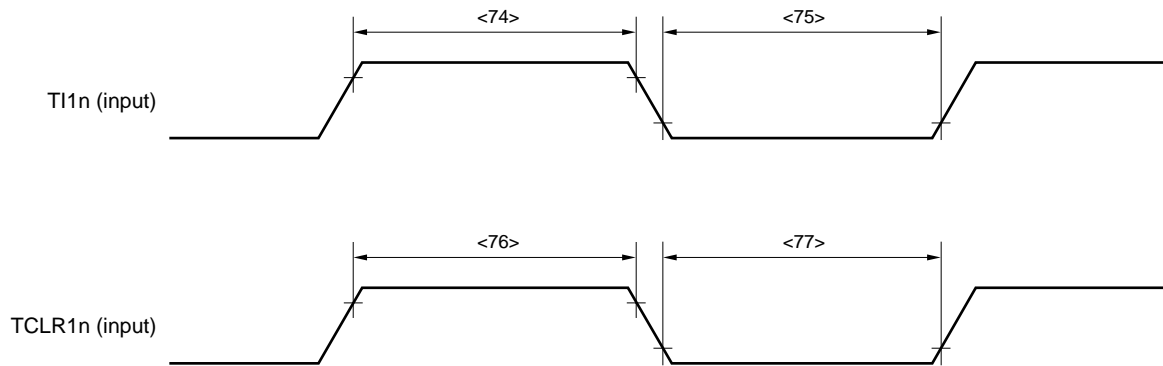


- Remarks**
1. Broken line indicates high impedance.
  2.  $n = 0$  to 3

(10) RPU timing

Parameter	Symbol	Conditions	25-MHz Version		33-MHz Version		Units
			MIN.	MAX.	MIN.	MAX.	
T11n high-level width	<74> $t_{WTH}$		3T + 10		3T + 10		ns
T11n low-level width	<75> $t_{WTL}$		3T + 10		3T + 10		ns
TCLR1n high-level width	<76> $t_{WTCH}$		3T + 10		3T + 10		ns
TCLR1n low-level width	<77> $t_{WTCL}$		3T + 10		3T + 10		ns

Remark T =  $t_{CYK}$



Remark n = 1 to 4

★ **A/D Converter Characteristics (T<sub>A</sub> = -40 to +85°C, V<sub>DD</sub> = AV<sub>DD</sub> = 5 V ±10%, V<sub>SS</sub> = AV<sub>SS</sub> = 0 V)**

Parameter	Symbol	Conditions	25-MHz Version			33-MHz Version			Units
			MIN.	TYP.	MAX.	MIN.	TYP.	MAX.	
Resolution	—		10			10			bit
Total error <sup>Note 1</sup>	—	4.5 V ≤ AV <sub>REF1</sub> ≤ AV <sub>DD</sub>			±0.55			±0.55	%FSR
	—	3.5 V ≤ AV <sub>REF1</sub> ≤ AV <sub>DD</sub>			±0.7			±0.7	%FSR
Quantization error	—				±1/2			±1/2	LSB
Conversion time	t <sub>CONV</sub>	4.5 V ≤ AV <sub>REF1</sub> ≤ AV <sub>DD</sub>	48			60			t <sub>CLK</sub>
		3.5 V ≤ AV <sub>REF1</sub> ≤ AV <sub>DD</sub>	48			60			t <sub>CLK</sub>
Sampling time	t <sub>SAMP</sub>	4.5 V ≤ AV <sub>REF1</sub> ≤ AV <sub>DD</sub>	8			10			t <sub>CLK</sub>
		3.5 V ≤ AV <sub>REF1</sub> ≤ AV <sub>DD</sub>	8			10			t <sub>CLK</sub>
Zero scale error <sup>Note 1</sup>	—	4.5 V ≤ AV <sub>REF1</sub> ≤ AV <sub>DD</sub>		±3.0	±4.5		±3.0	±4.5	LSB
	—	3.5 V ≤ AV <sub>REF1</sub> ≤ AV <sub>DD</sub>		±3.0	±5.5		±3.0	±5.5	LSB
Full scale error <sup>Note 1</sup>	—	4.5 V ≤ AV <sub>REF1</sub> ≤ AV <sub>DD</sub>		±1.5	±2.5		±1.5	±2.5	LSB
	—	3.5 V ≤ AV <sub>REF1</sub> ≤ AV <sub>DD</sub>		±1.5	±4.5		±1.5	±4.5	LSB
Nonlinearity error <sup>Note 1</sup>	—	4.5 V ≤ AV <sub>REF1</sub> ≤ AV <sub>DD</sub>		±1.5	±3.5		±1.5	±3.5	LSB
	—	3.5 V ≤ AV <sub>REF1</sub> ≤ AV <sub>DD</sub>		±1.5	±4.5		±1.5	±4.5	LSB
Analog input voltage <sup>Note 2</sup>	V <sub>IAN</sub>		-0.3		AV <sub>DD</sub> +0.3	-0.3		AV <sub>DD</sub> +0.3	V
Reference voltage	AV <sub>REF1</sub>		3.5		AV <sub>DD</sub>	3.5		AV <sub>DD</sub>	V
AV <sub>REF1</sub> current	I <sub>REF1</sub>			1.2	3.0		1.2	3.0	mA
AV <sub>DD</sub> power supply current	I <sub>DD</sub>			2.3	6.0		2.3	6.0	mA

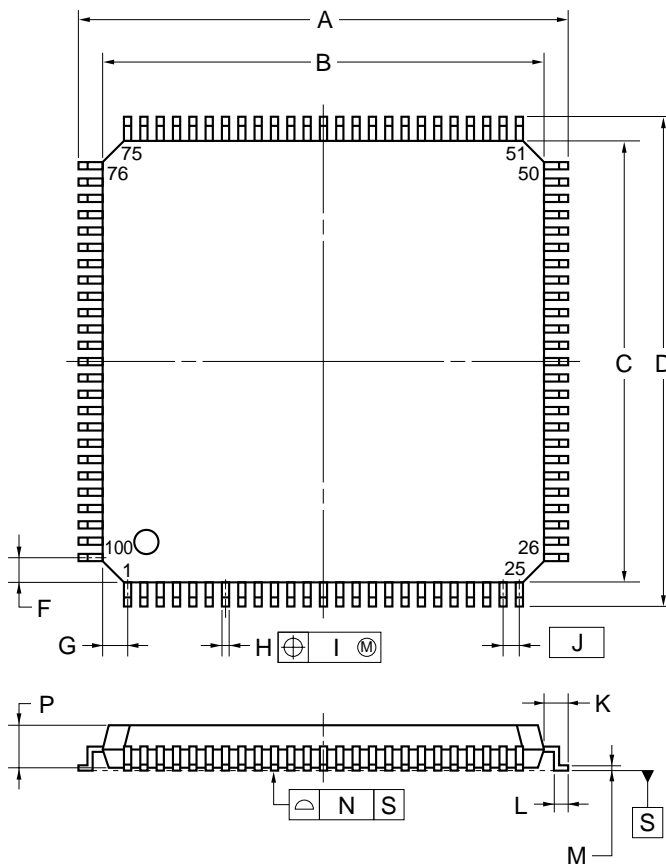
- Notes**
1. Does not include quantization error.
  2. When V<sub>IAN</sub> = 0, the conversion result becomes 000H.  
 When 0 < V<sub>IAN</sub> < AV<sub>REF1</sub>, conversion has 10-bit resolution.  
 When AV<sub>REF1</sub> ≤ V<sub>IAN</sub> ≤ AV<sub>DD</sub>, the conversion result becomes 3FFH.

D/A Converter Characteristics (T<sub>A</sub> = -40 to +85°C, V<sub>DD</sub> = AV<sub>DD</sub> = 5 V ±10%, V<sub>SS</sub> = AV<sub>SS</sub> = 0 V)

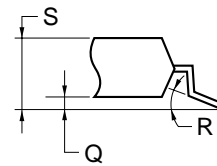
Parameter	Symbol	Conditions	25-MHz Version			33-MHz Version			Units
			MIN.	TYP.	MAX.	MIN.	TYP.	MAX.	
Resolution	—				8			8	bit
Total error	—	Load condition: 2 MΩ, 30 pF AV <sub>REF2</sub> = V <sub>DD</sub> AV <sub>REF3</sub> = 0			0.8			0.8	%
	—	Load condition: 2 MΩ, 30 pF AV <sub>REF2</sub> = 0.75 V <sub>DD</sub> AV <sub>REF3</sub> = 0.25 V <sub>DD</sub>			1.0			1.0	%
	—	Load condition: 4 MΩ, 30 pF AV <sub>REF2</sub> = V <sub>DD</sub> AV <sub>REF3</sub> = 0			0.6			0.6	%
	—	Load condition: 4 MΩ, 30 pF AV <sub>REF2</sub> = 0.75 V <sub>DD</sub> AV <sub>REF3</sub> = 0.25 V <sub>DD</sub>			0.8			0.8	%
Settling time	—	Load condition: 2 MΩ, 30 pF			10			10	μs
Output resistance	RO			10			10		kΩ
AV <sub>REF2</sub> input voltage	AV <sub>REF2</sub>		0.75 V <sub>DD</sub>		V <sub>DD</sub>	0.75 V <sub>DD</sub>		V <sub>DD</sub>	V
AV <sub>REF3</sub> input voltage	AV <sub>REF3</sub>		0		0.25 V <sub>DD</sub>	0		0.25 V <sub>DD</sub>	V
★ AV <sub>REF2</sub> to AV <sub>REF3</sub> resistance value	RA <sub>IREF</sub>	DACS0, DACS1 = 55H	2	5		2	5		kΩ

★ 17. PACKAGE DRAWINGS

100 PIN PLASTIC QFP (FINE PITCH) (□14)



detail of lead end



NOTE

1. Controlling dimension— millimeter.
2. Each lead centerline is located within 0.10 mm (0.004 inch) of its true position (T.P.) at maximum material condition.

ITEM	MILLIMETERS	INCHES
A	16.0±0.2	0.630±0.008
B	14.0±0.2	0.551 <sup>+0.009</sup> <sub>-0.008</sub>
C	14.0±0.2	0.551 <sup>+0.009</sup> <sub>-0.008</sub>
D	16.0±0.2	0.630±0.008
F	1.0	0.039
G	1.0	0.039
H	0.22 <sup>+0.05</sup> <sub>-0.04</sub>	0.009±0.002
I	0.10	0.004
J	0.5 (T.P.)	0.020 (T.P.)
K	1.0±0.2	0.039 <sup>+0.009</sup> <sub>-0.008</sub>
L	0.5±0.2	0.020 <sup>+0.008</sup> <sub>-0.009</sub>
M	0.17 <sup>+0.03</sup> <sub>-0.07</sub>	0.007 <sup>+0.001</sup> <sub>-0.003</sub>
N	0.10	0.004
P	1.45±0.05	0.057 <sup>+0.003</sup> <sub>-0.002</sub>
Q	0.125±0.075	0.005±0.003
R	5°±5°	5°±5°
S	1.7 MAX.	0.067 MAX.

P100GC-50-7EA-3

★ 18. RECOMMENDED SOLDERING CONDITIONS

The μPD703003 should be soldered and mounted under the following recommended conditions.

For the recommended soldering conditions, refer to the document **Semiconductor Device Mounting Technology Manual (C10535E)**.

For soldering methods and conditions other than those recommended below, contact your NEC sales representative.

**Table 18-1. Soldering Conditions**

Soldering Method	Soldering Conditions	Symbol
Infrared reflow	Package peak temperature: 235°C, Reflow time: 30 seconds or below (210°C or higher), Number of reflow processes: 2 max., Exposure limit: 7 days <sup>Note</sup> (after that, prebaking is necessary at 125°C for 10 hours)	IR35-107-2
VPS	Package peak temperature: 215°C, Reflow time: 40 seconds or below (200°C or higher), Number of reflow processes: 2 max., Exposure limit: 7 days <sup>Note</sup> (after that, prebaking is necessary at 125°C for 10 hours)	VP15-107-2
Partial heating	Pin temperature: 300°C or below, Time: 3 seconds or below (per side of device)	—

**Note** Exposure limit after dry-pack is opened. Storage conditions: temperature of 25°C and relative humidity of 65% or less.

**Caution** Do not use different soldering methods together (except for partial heating).

[MEMO]

## NOTES FOR CMOS DEVICES

### ① PRECAUTION AGAINST ESD FOR SEMICONDUCTORS

**Note:** Strong electric field, when exposed to a MOS device, can cause destruction of the gate oxide and ultimately degrade the device operation. Steps must be taken to stop generation of static electricity as much as possible, and quickly dissipate it once, when it has occurred. Environmental control must be adequate. When it is dry, humidifier should be used. It is recommended to avoid using insulators that easily build static electricity. Semiconductor devices must be stored and transported in an anti-static container, static shielding bag or conductive material. All test and measurement tools including work bench and floor should be grounded. The operator should be grounded using wrist strap. Semiconductor devices must not be touched with bare hands. Similar precautions need to be taken for PW boards with semiconductor devices on it.

### ② HANDLING OF UNUSED INPUT PINS FOR CMOS

**Note:** No connection for CMOS device inputs can be cause of malfunction. If no connection is provided to the input pins, it is possible that an internal input level may be generated due to noise, etc., hence causing malfunction. CMOS device behave differently than Bipolar or NMOS devices. Input levels of CMOS devices must be fixed high or low by using a pull-up or pull-down circuitry. Each unused pin should be connected to  $V_{DD}$  or  $GND$  with a resistor, if it is considered to have a possibility of being an output pin. All handling related to the unused pins must be judged device by device and related specifications governing the devices.

### ③ STATUS BEFORE INITIALIZATION OF MOS DEVICES

**Note:** Power-on does not necessarily define initial status of MOS device. Production process of MOS does not define the initial operation status of the device. Immediately after the power source is turned ON, the devices with reset function have not yet been initialized. Hence, power-on does not guarantee out-pin levels, I/O settings or contents of registers. Device is not initialized until the reset signal is received. Reset operation must be executed immediately after power-on for devices having reset function.



## Regional Information

Some information contained in this document may vary from country to country. Before using any NEC product in your application, please contact the NEC office in your country to obtain a list of authorized representatives and distributors. They will verify:

- Device availability
- Ordering information
- Product release schedule
- Availability of related technical literature
- Development environment specifications (for example, specifications for third-party tools and components, host computers, power plugs, AC supply voltages, and so forth)
- Network requirements

In addition, trademarks, registered trademarks, export restrictions, and other legal issues may also vary from country to country.

### NEC Electronics Inc. (U.S.)

Santa Clara, California  
Tel: 408-588-6000  
800-366-9782  
Fax: 408-588-6130  
800-729-9288

### NEC Electronics (Germany) GmbH

Duesseldorf, Germany  
Tel: 0211-65 03 02  
Fax: 0211-65 03 490

### NEC Electronics (UK) Ltd.

Milton Keynes, UK  
Tel: 01908-691-133  
Fax: 01908-670-290

### NEC Electronics Italiana s.r.l.

Milano, Italy  
Tel: 02-66 75 41  
Fax: 02-66 75 42 99

### NEC Electronics (Germany) GmbH

Benelux Office  
Eindhoven, The Netherlands  
Tel: 040-2445845  
Fax: 040-2444580

### NEC Electronics (France) S.A.

Velizy-Villacoublay, France  
Tel: 01-30-67 58 00  
Fax: 01-30-67 58 99

### NEC Electronics (France) S.A.

Spain Office  
Madrid, Spain  
Tel: 91-504-2787  
Fax: 91-504-2860

### NEC Electronics (Germany) GmbH

Scandinavia Office  
Taeby, Sweden  
Tel: 08-63 80 820  
Fax: 08-63 80 388

### NEC Electronics Hong Kong Ltd.

Hong Kong  
Tel: 2886-9318  
Fax: 2886-9022/9044

### NEC Electronics Hong Kong Ltd.

Seoul Branch  
Seoul, Korea  
Tel: 02-528-0303  
Fax: 02-528-4411

### NEC Electronics Singapore Pte. Ltd.

United Square, Singapore 1130  
Tel: 65-253-8311  
Fax: 65-250-3583

### NEC Electronics Taiwan Ltd.

Taipei, Taiwan  
Tel: 02-2719-2377  
Fax: 02-2719-5951

### NEC do Brasil S.A.

Electron Devices Division  
Rodovia Presidente Dutra, Km 214  
07210-902-Guarulhos-SP Brasil  
Tel: 55-11-6465-6810  
Fax: 55-11-6465-6829

J99.1

RELATED DOCUMENTS μPD703003A, 703004A, 703025A Data Sheet (Under preparation)  
μPD70F3003 Data Sheet (U12036E)  
μPD70F3003A, 70F3025A Data Sheet (U13189E)  
V850 Family, Instruction Table (U10229J)<sup>Note</sup>

**Note** Japanese version

The related documents indicated in this publication may include preliminary version. However, preliminary versions are not marked as such.

**V850 Family and V853 are trademarks of NEC Corporation.**

The export of this product from Japan is regulated by the Japanese government. To export this product may be prohibited without governmental license, the need for which must be judged by the customer. The export or re-export of this product from a country other than Japan may also be prohibited without a license from that country. Please call an NEC sales representative.

- **The information in this document is subject to change without notice. Before using this document, please confirm that this is the latest version.**
  - No part of this document may be copied or reproduced in any form or by any means without the prior written consent of NEC Corporation. NEC Corporation assumes no responsibility for any errors which may appear in this document.
  - NEC Corporation does not assume any liability for infringement of patents, copyrights or other intellectual property rights of third parties by or arising from use of a device described herein or any other liability arising from use of such device. No license, either express, implied or otherwise, is granted under any patents, copyrights or other intellectual property rights of NEC Corporation or others.
  - Descriptions of circuits, software, and other related information in this document are provided for illustrative purposes in semiconductor product operation and application examples. The incorporation of these circuits, software, and information in the design of the customer's equipment shall be done under the full responsibility of the customer. NEC Corporation assumes no responsibility for any losses incurred by the customer or third parties arising from the use of these circuits, software, and information.
  - While NEC Corporation has been making continuous effort to enhance the reliability of its semiconductor devices, the possibility of defects cannot be eliminated entirely. To minimize risks of damage or injury to persons or property arising from a defect in an NEC semiconductor device, customers must incorporate sufficient safety measures in its design, such as redundancy, fire-containment, and anti-failure features.
  - NEC devices are classified into the following three quality grades:  
"Standard", "Special", and "Specific". The Specific quality grade applies only to devices developed based on a customer designated "quality assurance program" for a specific application. The recommended applications of a device depend on its quality grade, as indicated below. Customers must check the quality grade of each device before using it in a particular application.
    - Standard: Computers, office equipment, communications equipment, test and measurement equipment, audio and visual equipment, home electronic appliances, machine tools, personal electronic equipment and industrial robots
    - Special: Transportation equipment (automobiles, trains, ships, etc.), traffic control systems, anti-disaster systems, anti-crime systems, safety equipment and medical equipment (not specifically designed for life support)
    - Specific: Aircraft, aerospace equipment, submersible repeaters, nuclear reactor control systems, life support systems or medical equipment for life support, etc.
- The quality grade of NEC devices is "Standard" unless otherwise specified in NEC's Data Sheets or Data Books. If customers intend to use NEC devices for applications other than those specified for Standard quality grade, they should contact an NEC sales representative in advance.