

8-BIT SINGLE-CHIP MICROCONTROLLER

DESCRIPTION

The μ PD178F124 is a flash memory model of the μ PD178023 and 178024, and is provided with a flash memory to/from which data can be written/erased with the microcontroller mounted on a printed circuit board.

For the detailed functional description, refer to the following User's Manuals:

μ PD178024, 178124 Subseries User's Manual : U13915E

78K/0 Series User's Manual - Instruction : U12326E

FEATURES

- Serial interface (I²C bus and UART mode)
- Hardware for PLL frequency synthesizer
- Pin-compatible with mask ROM models (except V_{PP} pin)
- Flash memory: 32K bytes^{Note}
- Internal high-speed RAM: 1024 bytes
- Operable at same supply voltage as mask ROM models : V_{DD} = 4.5 to 5.5 V (during CPU and PLL operations)
: V_{DD} = 3.5 to 5.5 V (during CPU operation)

Note The capacities of the flash memory can be changed using the memory size select register (IMS).

Remark For the differences between the flash memory model and mask ROM models, refer to **1. DIFFERENCES BETWEEN μ PD178F124 AND MASK ROM MODELS.**

The electrical specifications (such as supply current) in the μ PD178F124 differ from those of the mask ROM models. Confirm these differences before mass-producing any application set.

APPLICATION FIELD

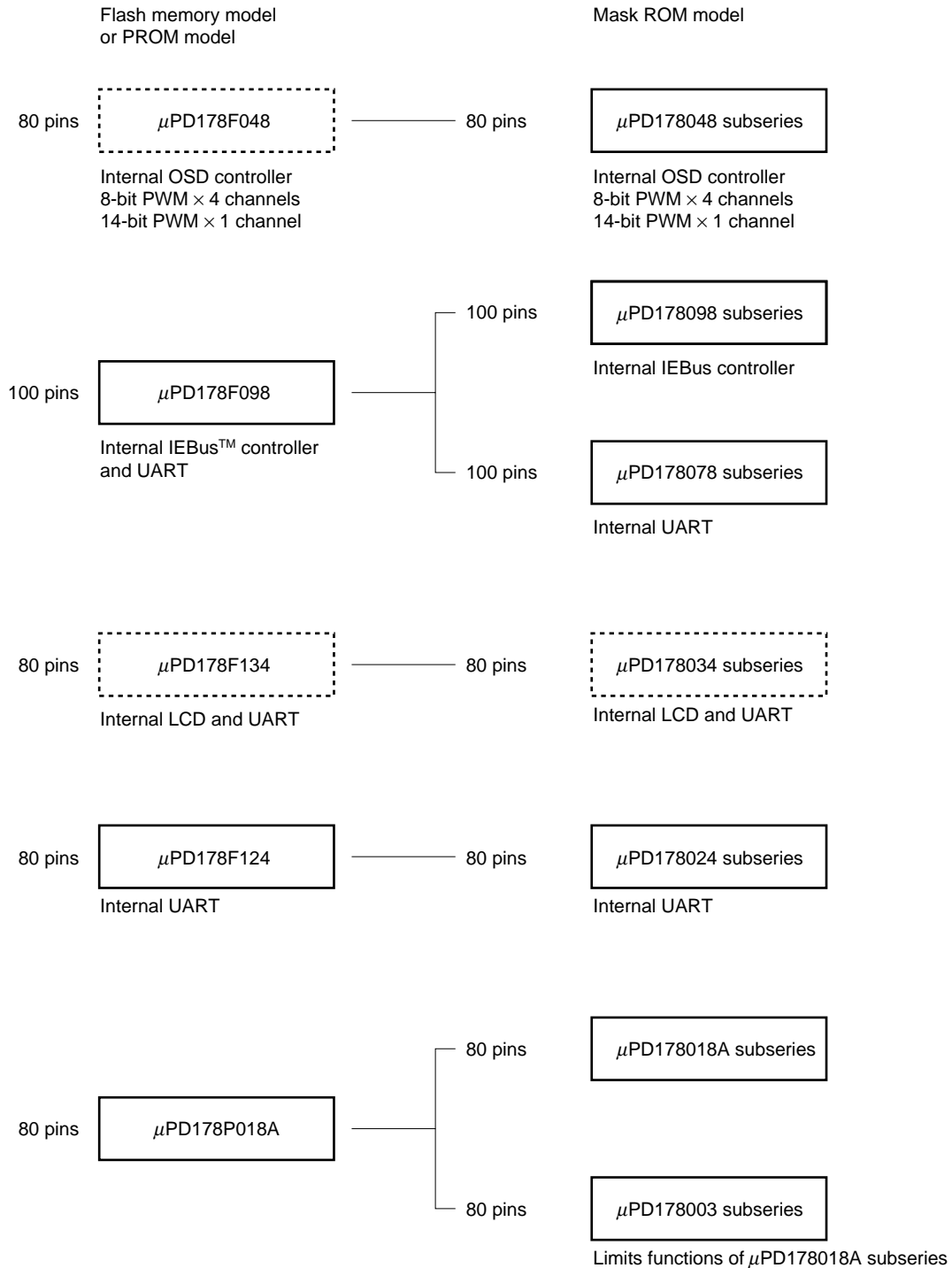
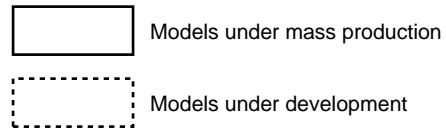
Car stereos

ORDERING INFORMATION

Part Number	Package
μ PD178124GF-3B9	80-pin plastic QFP (14 × 20)
μ PD178124GC-8BT	80-pin plastic QFP (14 × 14)

The information in this document is subject to change without notice. Before using this document, please confirm that this is the latest version.
Not all devices/types available in every country. Please check with local NEC representative for availability and additional information.

DEVELOPMENT OF 8-BIT DTS SERIES



FUNCTIONAL OUTLINE

(1/2)

Item		μ PD178F124
Internal	Flash memory	32 Kbytes
	High-speed RAM	1024 bytes
General-purpose register		8 bits \times 32 registers (8 bits \times 8 registers \times 4 banks)
Minimum instruction execution time		0.45 μ s/0.89 μ s/1.78 μ s/3.56 μ s/7.11 μ s (with crystal resonator of $f_x = 4.5$ MHz)
Instruction set		<ul style="list-style-type: none"> • 16-bit operation • Multiplication/division (8 bits \times 8 bits, 16 bits \div 8 bits) • Bit manipulation (set, reset, test, Boolean operation) • BCD adjustment, etc.
I/O port		Total : 62 pins <ul style="list-style-type: none"> • CMOS I/O : 53 pins • CMOS input : 6 pins • N-ch open-drain output : 3 pins
A/D converter		8-bit resolution \times 6 channels ($V_{DD} = 3.5$ to 5.5 V)
Serial interface		<ul style="list-style-type: none"> • I²C bus mode^{Note}: 1 channel • 3-wire mode : 1 channel • UART mode : 1 channel
Timer		<ul style="list-style-type: none"> • Basic timer (timer carry FF (10 Hz)) : 1 channel • 8-bit timer/event counter : 2 channels • Watchdog timer : 1 channel
Buzzer output		1 channel (1 kHz, 1.5 kHz, 3 kHz, 4 kHz)
Vectored interrupt source	Maskable	Internal : 11 External: 5
	Non-maskable	Internal: 1
	Software	1
PLL frequency synthesizer	Division mode	2 types <ul style="list-style-type: none"> • Direct division mode (VCOL pin) • Pulse swallow mode (VCOL and VCOH pins)
	Reference frequency	Seven types selectable in software (1, 3, 9, 10, 12.5, 25, 50 kHz)
	Charge pump	Error out output: 2 pins
	Phase comparator	Unlock detectable in software

Note When the I²C bus mode is used (including when the mode is implemented in software without using the peripheral hardware), consult NEC when ordering a mask.

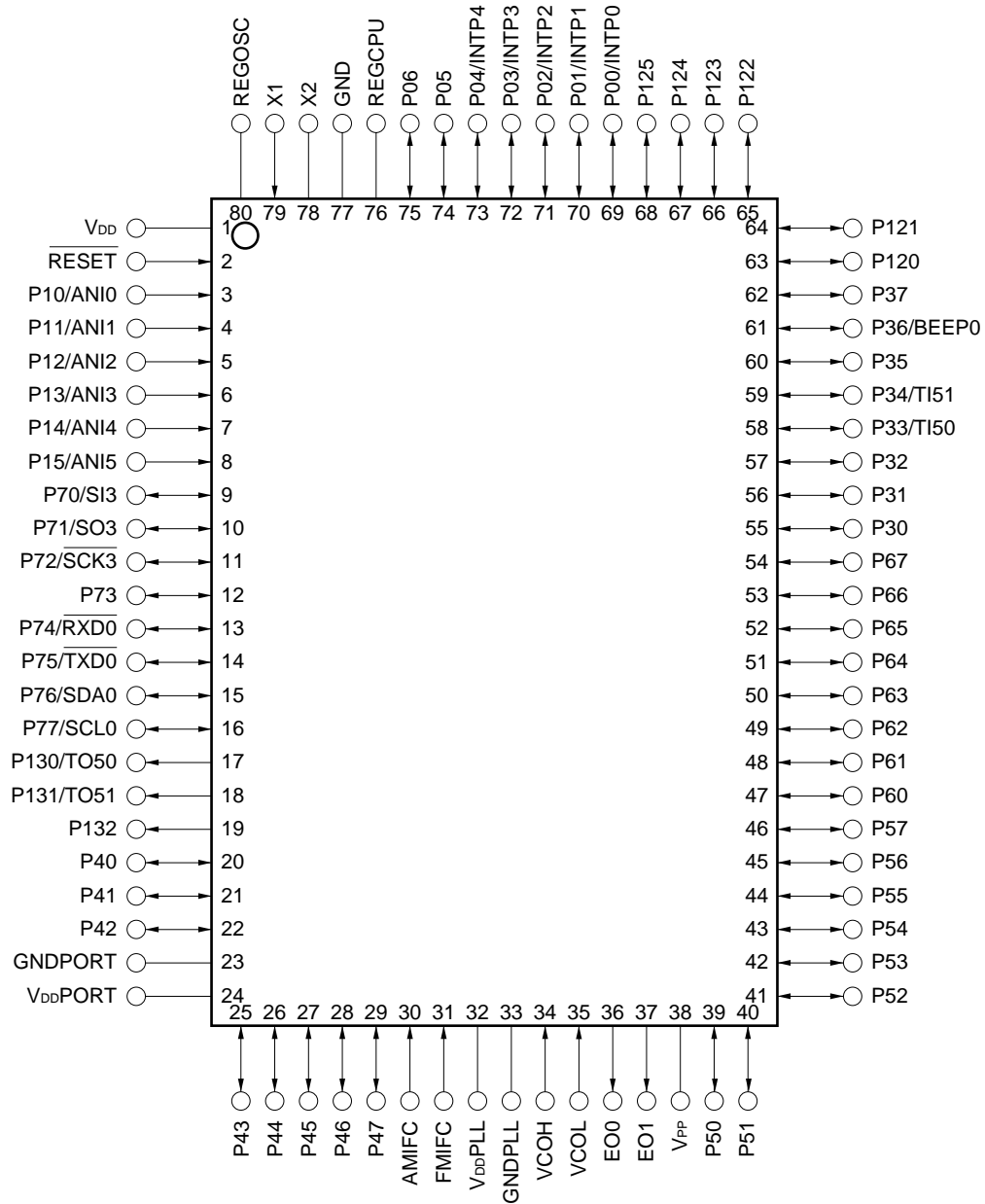
(2/2)

Item	μ PD178F124
Frequency counter	Frequency measurement <ul style="list-style-type: none"> • AMIFC pin: For 450-kHz counting • FMIFC pin: For 450-kHz/10.7-MHz counting
Reset	<ul style="list-style-type: none"> • Reset by $\overline{\text{RESET}}$ pin • Internal reset by watchdog timer • Reset by power-ON clear circuit <ul style="list-style-type: none"> • Detection of less than 4.5 V^{Note} (Reset does not occur, however.) • Detection of less than 3.5 V^{Note} (during CPU operation) • Detection of less than 2.3 V^{Note} (in STOP mode)
Supply voltage	<ul style="list-style-type: none"> • $V_{DD} = 4.5$ to 5.5 V (during CPU, PLL operation) • $V_{DD} = 3.5$ to 5.5 V (during CPU operation)
Package	<ul style="list-style-type: none"> • 80-pin plastic QFP (14 × 20) • 80-pin plastic QFP (14 × 14)

Note These voltages are the maximum values. In practice, the chip may be reset at voltages lower than these.

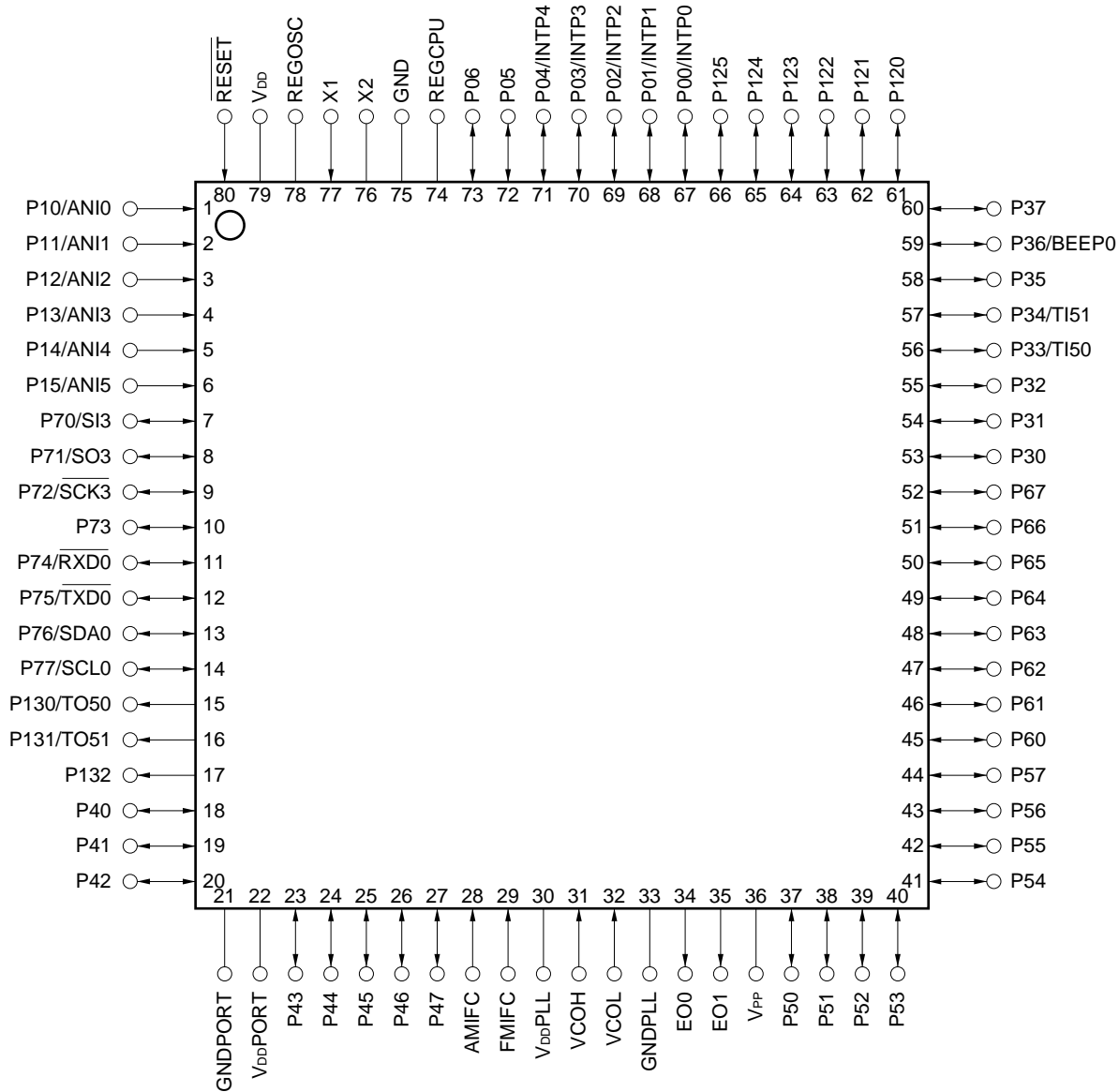
PIN CONFIGURATION (Top View)

- 80-pin plastic QFP (14 × 20)
μPD178F124GF-3B9



- Cautions**
1. Directly connect the VPP to GND in normal operating mode.
 2. Keep the voltage at VDDPORT and VDDPLL at the same voltage as VDD.
 3. Keep the voltage at GNDPORT and GNDPLL at the same voltage as GND.
 4. Connect each of the REGOSC and REGCPU pins to GND via 0.1-μF capacitor.

- 80-pin plastic QFP (14 × 14)
μPD178F124GC-8BT

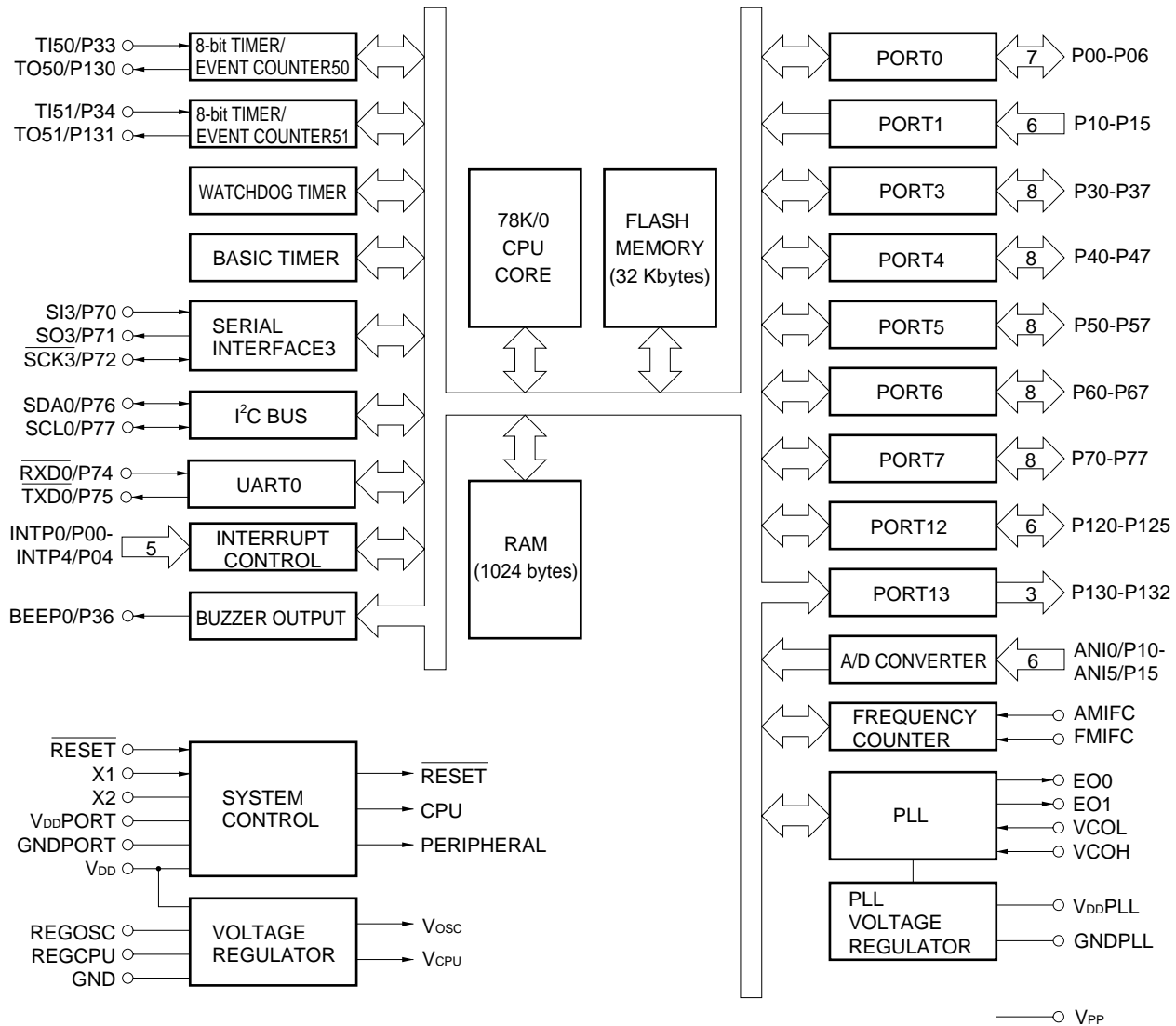


- Cautions**
1. Directly connect the V_{PP} to GND in normal operating mode.
 2. Keep the voltage at V_{DD}PORT and V_{DD}PLL at the same voltage as V_{DD}.
 3. Keep the voltage at GNDPORT and GNDPLL at the same voltage as GND.
 4. Connect each of the REGOSC and REGCPU pins to GND via 0.1-μF capacitor.

PIN NAME

AMIFC	: AM intermediate frequency counter input	REGCPU	: Regulator for CPU power supply
ANI0-ANI5	: A/D converter input	REGOSC	: Regulator for oscillator
BEEP0	: Buzzer output	$\overline{\text{RESET}}$: Reset input
EO0, EO1	: Error out output	$\overline{\text{RXD0}}$: Serial (UART0) data input
FMIFC	: FM intermediate frequency counter input	$\overline{\text{SCK3}}$: Serial (SIO3) clock input/output
GND	: Ground	SCL0	: Serial (IIC0) clock input/output
GNDPLL	: PLL ground	SDA0	: Serial (IIC0) data input/output
GNDPORT	: Port ground	SI3	: Serial (SIO3) data input
INTP0-INTP4	: Interrupt input	SO3	: Serial (SIO3) data output
P00-P06	: Port 0	TI50, TI51	: 8-bit timer clock input
P10-P15	: Port 1	TO50, TO51	: 8-bit timer output
P30-P37	: Port 3	$\overline{\text{TXD0}}$: Serial (UART0) data output
P40-P47	: Port 4	VCOL, VCOH	: Local oscillation input
P50-P57	: Port 5	V _{DD}	: Power supply
P60-P67	: Port 6	V _{DD} PLL	: PLL power supply
P70-P77	: Port 7	V _{DD} PORT	: Port power supply
P120-P125	: Port 12	V _{PP}	: Programming power supply
P130-P132	: Port 13	X1, X2	: Crystal resonator

BLOCK DIAGRAM



CONTENTS

1. DIFFERENCES BETWEEN μPD178F124 AND MASK ROM MODELS 10

2. PIN FUNCTION LIST 11

2.1 Port Pins 11

2.2 Pins Other Than Port Pins 12

2.3 I/O Circuits of Pins and Recommended Connections of Unused Pins 13

3. MEMORY SPACE 16

3.1 Memory Size Select Register (IMS) 17

3.2 Internal Extension RAM Size Select Register (IXS) 18

4. INTERRUPT FUNCTION 19

5. FLASH MEMORY PROGRAMMING 22

5.1 Selecting Communication Mode 22

5.2 Flash Memory Programming Function 23

5.3 Connecting Flashpro III 24

6. ELECTRICAL SPECIFICATIONS..... 25

7. PACKAGE DRAWING 36

8. RECOMMENDED SOLDERING CONDITIONS..... 38

APPENDIX A. DEVELOPMENT TOOLS 39

APPENDIX B. RELATED DOCUMENTS 41

1. DIFFERENCES BETWEEN μPD178F124 AND MASK ROM MODELS

The μPD178F124 is provided with a flash memory to/from which data can be rewritten/erased with the device mounted on a printed circuit board. The differences between the flash memory model (μPD178F124) and mask ROM models (μPD178023 and 178024) are shown in Table 1-1.

Table 1-1. Differences between μPD178F124 and Mask ROM Models

Item		μPD178F124	μPD178023, 178024
Internal memory	ROM structure	Flash memory	Mask ROM
	ROM capacity	32K bytes	μPD178023 : 24K bytes μPD178024 : 32K bytes
Internal ROM capacity selected by memory size select register (IMS)		Equivalent to mask ROM model	μPD178023 : C6H μPD178024 : C8H
IC pin		Not provided	Provided
V _{PP} pin		Provided	Not provided
Electrical specifications, recommended soldering conditions		See the relevant data sheet.	

2. PIN FUNCTION LIST

2.1 Port Pins

Pin Name	I/O	Function	At Reset	Shared by:
P00-P04	I/O	Port 0. 7-bit I/O port. Can be set in input or output mode in 1-bit units.	Input	INTP0-INTP4
P05, P06				—
P10-P15	Input	Port 1. 6-bit input port.	Input	ANI0-ANI5
P30-P32	I/O	Port 3. 8-bit I/O port. Can be set in input or output mode in 1-bit units.	Input	—
P33				TI50
P34				TI51
P35				—
P36				BEEP0
P37				—
P40-47	I/O	Port 4. 8-bit I/O port. Can be set in input or output mode in 1-bit units. Internal pull-up resistors can be specified in software. Interrupt function by key input is provided.	Input	—
P50-P57	I/O	Port 5. 8-bit I/O port. Can be set in input or output mode in 1-bit units.	Input	—
P60-P67	I/O	Port 6. 8-bit I/O port. Can be set in input or output mode in 1-bit units.	Input	—
P70	I/O	Port 7. 8-bit I/O port. Can be set in input or output mode in 1-bit units.	Input	SI3
P71				SO3
P72				SCK3
P73				—
P74				R̄XD0
P75				T̄XD0
P76				SDA0
P77				SCL0
P120-P125	I/O	Port 12. 6-bit I/O port. Can be set in input or output mode in 1-bit units.	Input	—
P130	Output	Port 13. 3-bit output port. N-ch open-drain output port (12 V withstand)	Low-level output	TO50
P131				TO51
P132				—

2.2 Pins Other Than Port Pins

Pin Name	I/O	Function		At Reset	Shared by:
INTP0-INTP4	Input	External maskable interrupt input whose valid edge (rising edge, falling edge, or both rising and falling edges) can be specified.		Input	P00-P04
SI3	Input	Serial data input to serial interface.		Input	P70
SO3	Output	Serial data output from serial interface.		Input	P71
SDA0	I/O	Serial data input/output to/from serial interface.	N-ch open drain I/O	Input	P76
$\overline{\text{SCK3}}$	I/O	Serial clock input/output to/from serial interface.		Input	P72
SCL0		N-ch open drain I/O			P77
$\overline{\text{RXD0}}$	Input	Serial data input to asynchronous serial interface (UART0).		Input	P74
$\overline{\text{TXD0}}$	Output	Serial data output from asynchronous serial interface (UART0).			P75
TI50	Input	External count clock input to 8-bit timer (TM50).		Input	P33
TI51		External count clock input to 8-bit timer (TM51).			P34
TO50	Output	8-bit timer (TM50) output.		Low-level output	P130
TO51		8-bit timer (TM51) output.			P131
BEEP0	Output	Buzzer output.		Input	P36
ANI0-ANI5	Input	Analog input to A/D converter.		Input	P10-P15
EO0, EO1	Output	Error out output from charge pump of PLL frequency synthesizer.		–	–
VCOL	Input	Inputs local oscillation frequency of PLL (in HF and MF modes).		–	–
VCOH		Inputs local oscillation frequency of PLL (in VHF mode).			
AMIFC	Input	Input to AM intermediate frequency counter.		Input	–
FMIFC		Input to FM or AM intermediate frequency counter.			
$\overline{\text{RESET}}$	Input	System reset input.		–	–
X1	Input	Connection of crystal resonator for system clock oscillation.		–	–
X2	–			–	–
REGOSC	–	Regulator for oscillator. Connect this pin to GND via 0.1- μ F capacitor.		–	–
REGCPU	–	Regulator for CPU power supply. Connect this pin to GND via 0.1- μ F capacitor.		–	–
V _{DD}	–	Positive power supply.		–	–
GND	–	Ground.		–	–
V _{DD} PORT	–	Port power supply.		–	–
GNDPORT	–	Port ground.		–	–
V _{DD} PLL ^{Note}	–	PLL positive power supply.		–	–
GNDPLL ^{Note}	–	PLL ground.		–	–
V _{PP}	–	Setting flash memory programming mode. Applying high voltage for program write/verify. Connect directly to GND or GNDPORT in normal operation mode.		–	–

Note Connect a capacitor of about 1000 pF between the V_{DD}PLL and GNDPLL pins.

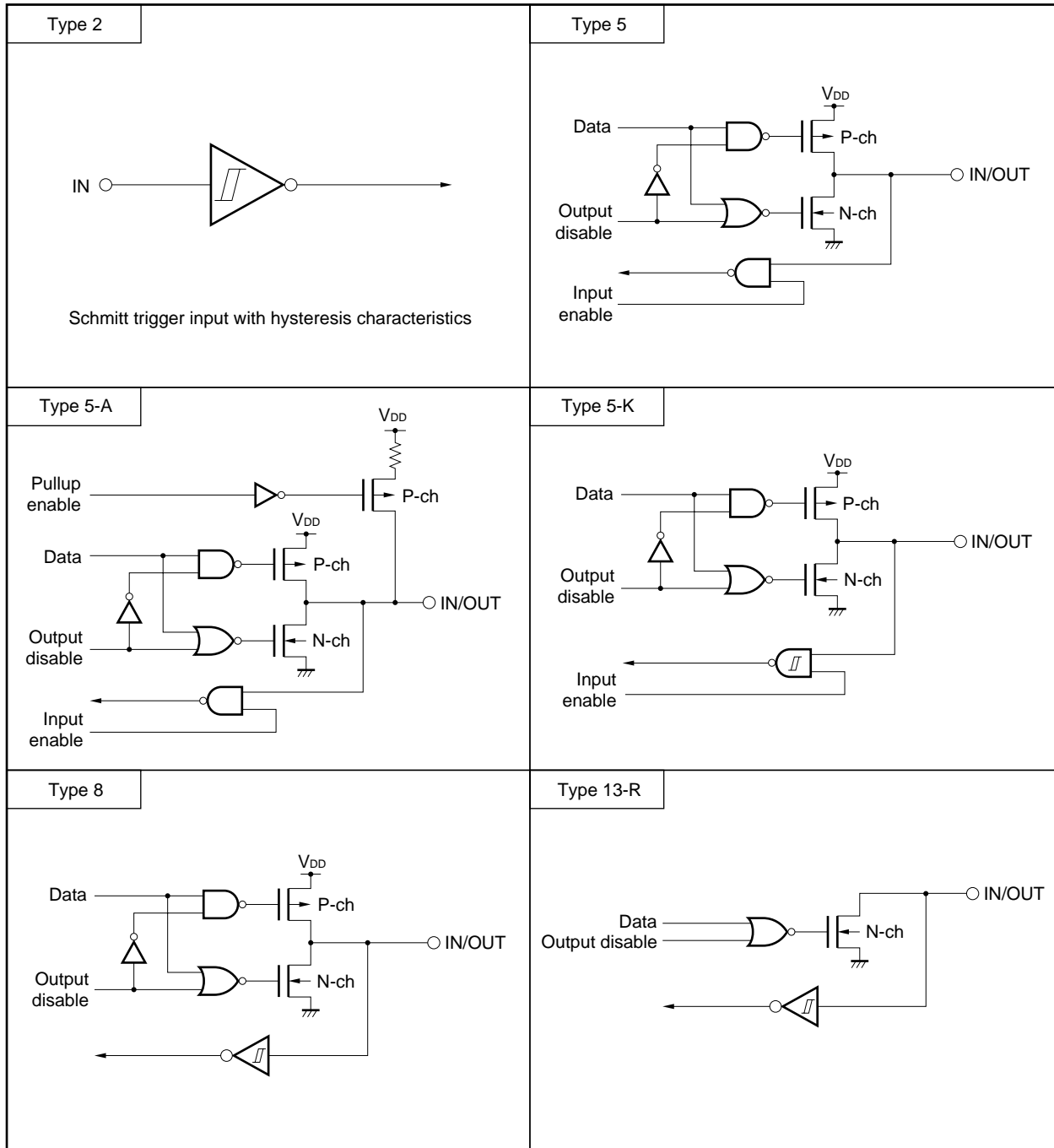
2.3 I/O Circuits of Pins and Recommended Connections of Unused Pins

Table 2-1 shows the types of the I/O circuits of the respective pins and the recommended connections of the pins when they are not used. For the configuration of the I/O circuit of each pin, refer to Figure 2-1.

Table 2-1. I/O Circuit Type of Each Pin

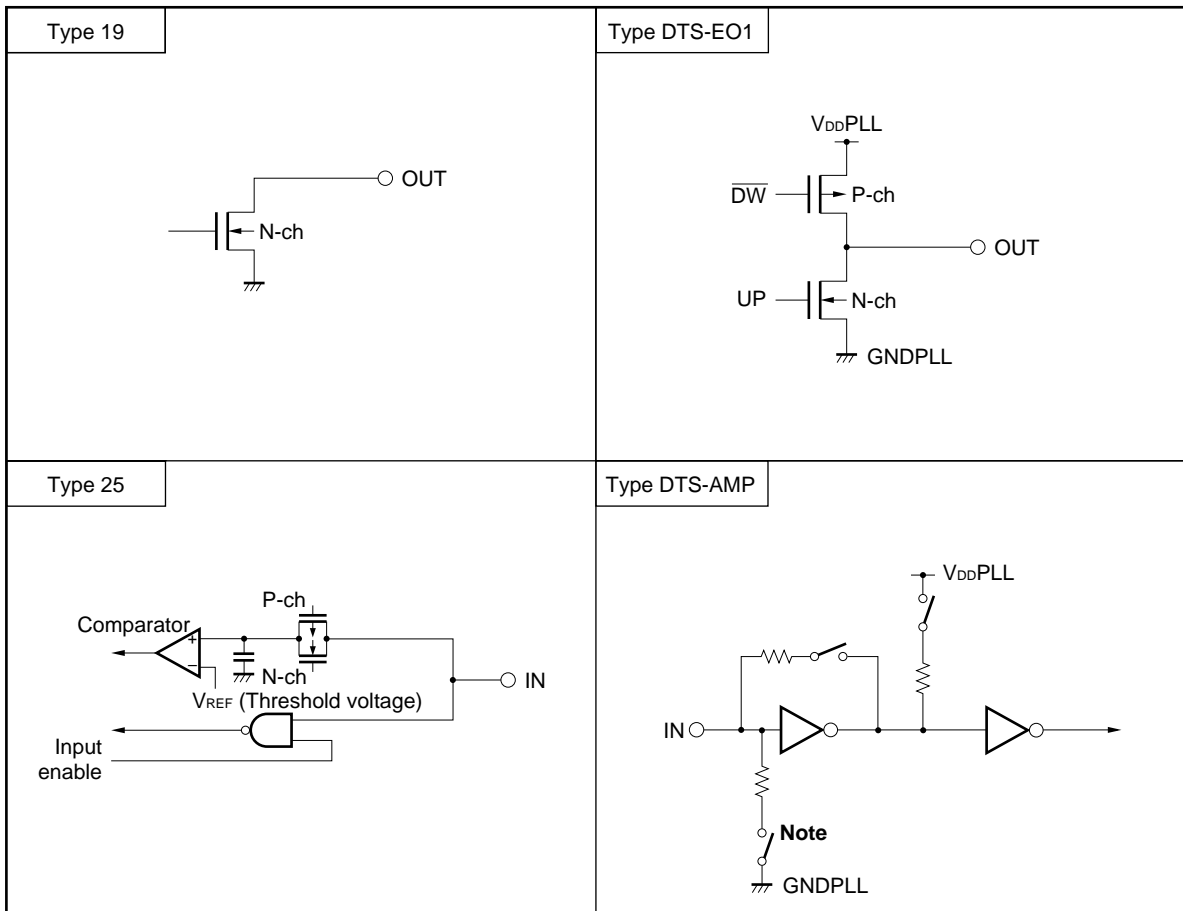
Pin Name	I/O Circuit Type	I/O	Recommended Connection of Unused Pin			
P00/INTP0-P04/INTP4	8	I/O	Set these pins in general-purpose input mode in software, and connect each of them to V _{DD} , V _{DD} PORT, GND, or GNDPORT via resistor.			
P05, P06						
P10/ANI0-P15/ANI5	25	Input	Connect each of them to V _{DD} , V _{DD} PORT, GND, or GNDPORT via resistor.			
P30-P32	5	I/O	Set these pins in general-purpose input mode in software, and output low-level signal. Leave unconnected.			
P33/TI50						
P34/TI51	5-K					
P35						
P36/BEEP0						
P37						
P40-P47	5-A		Set these pins in general-purpose input mode in software, and connect each of them to GND or GNDPORT via resistor.			
P50-P57	5		Set these pins in general-purpose input mode in software, and connect each of them to V _{DD} , V _{DD} PORT, GND, or GNDPORT via resistor.			
P60-P67	5		Set these pins in general-purpose input mode in software, and output low-level signal. Leave unconnected.			
P70/SI3	5-K		Set these pins in general-purpose input mode in software, and connect each of them to V _{DD} , V _{DD} PORT, GND, or GNDPORT via resistor.			
P71/SO3						
P72/SCK3						
P73						
P74/RXD0						
P75/TXD0						
P76/SDA0						
P77/SCL0						
P120-P125						
P130/TO50				19	Output	Set these pins to low-level output in software and leave unconnected.
P131/TO51						
P132						
EO0, EO1				DTS-EO1	Output	Leave unconnected.
VCOL, VCOH				DTS-AMP	Input	Disable PLL in software and select pull-down.
AMIFC, FMIFC	Set these pins in general-purpose input port mode in software and connect each of them to V _{DD} , V _{DD} PORT, GND, or GNDPORT via resistor.					
REGOSC, REGCPU	–	–	Connect these pins to GND via 0.1-μF capacitor.			
RESET	2	Input	–			
V _{DD} PLL	–	–	Connect this pin to V _{DD} .			
GNDPLL			Directly connect these pins to GND or GNDPORT.			
V _{PP}						

Figure 2-1. I/O Circuits of Respective Pins (1/2)



Remark V_{DD} and GND are the positive power supply and ground pins for all port pins. Take V_{DD} and GND as V_{DD}PORT and GNDPORT.

Figure 2-1. I/O Circuits of Respective Pins (2/2)



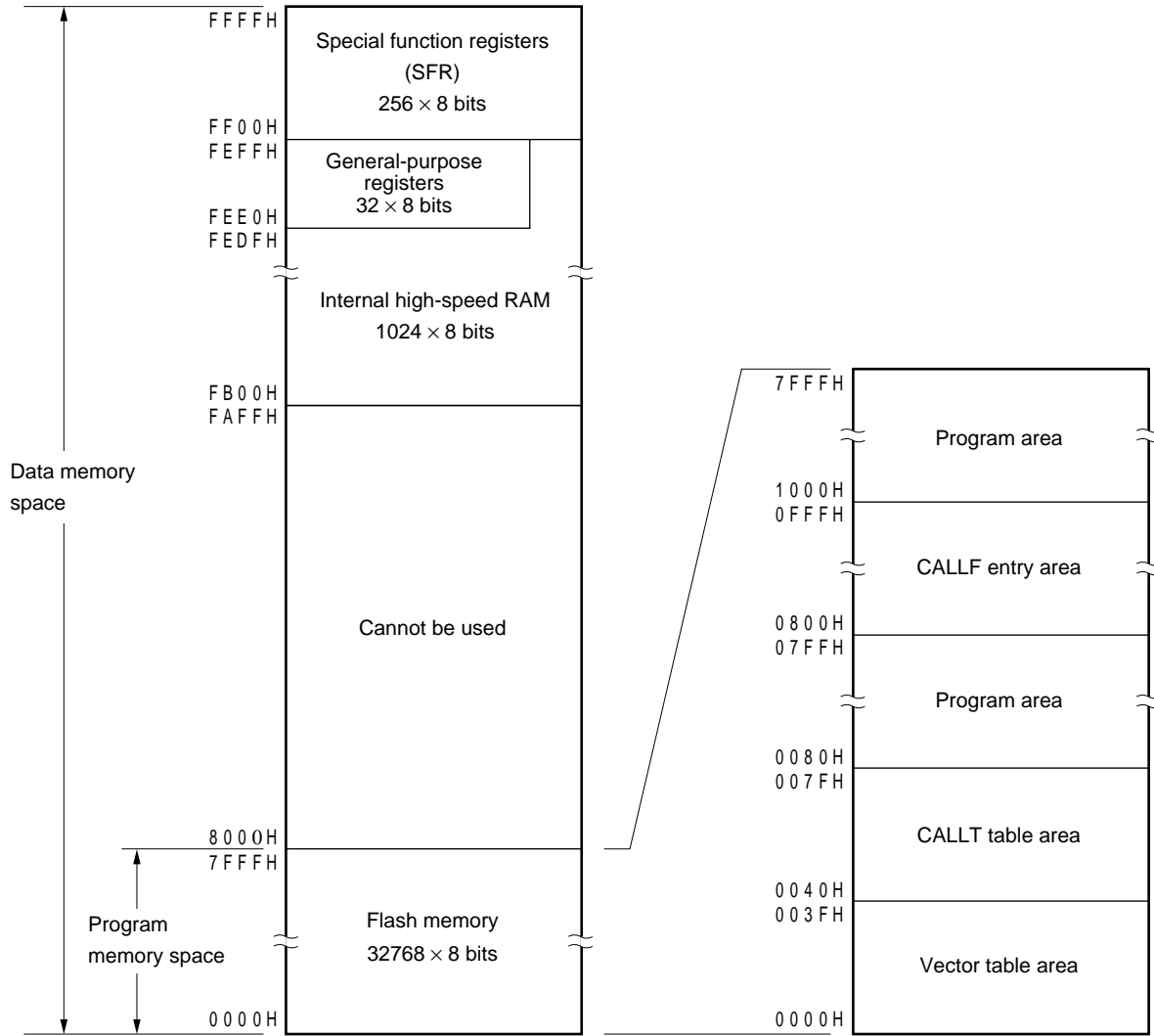
Note This switch is selectable in software only for the VCOL and VCOH pins.

Remark V_{DD} and GND are the positive power supply and ground pins for all port pins. Take V_{DD} and GND as V_{DDPORT} and $GNDPORT$.

3. MEMORY SPACE

Figure 3-1 shows the memory map of the μPD178F124.

Figure 3-1. Memory Map



3.1 Memory Size Select Register (IMS)

The memory size select register (IMS) sets the internal memory capacity.

When the target mask ROM model is the μPD178023, μPD178024, set this register to C6H, C8H respectively.

Use an 8-bit memory manipulation instruction to set the IMS.

This register is set to CFH at reset.

Caution Be sure to set the IMS to C6H or C8H as the program initial setting. The IMS set value changes to CFH when reset. Therefore, set C6H or C8H again after reset.

Figure 3-2. Format of Memory Size Select Register (IMS)

Symbol	7	6	5	4	3	2	1	0	Address	At reset	R/W
IMS	RAM2	RAM1	RAM0	0	ROM3	ROM2	ROM1	ROM0	FFF0H	CFH	R/W

RAM2	RAM1	RAM0	Selects Internal High-speed RAM Capacity			
1	1	0	1024 bytes			
Others			Setting prohibited			

RAM3	RAM2	RAM1	RAM0	Selects Flash Memory Capacity			
0	1	1	0	24K bytes			
1	0	0	0	32K bytes			
Others				Setting prohibited			

Table 3-1 indicates the setting of IMS to perform the same memory mapping as that of a mask ROM model.

Table 3-1. Set Value of Memory Size Select Register (IMS)

Targeted Model	Set Value of IMS
μPD178023	C6H
μPD178024	C8H

3.2 Internal Extension RAM Size Select Register (IXS)

The internal extension RAM size select register (IXS) sets the internal extension RAM capacity. When the target mask ROM model is the μPD178023, μPD178024, use this register with the initial value (0CH). Use an 8-bit memory manipulation instruction to set the IXS. This register is set to 0CH at reset.

Caution Do not assign a value other than that the initial value.

Figure 3-3. Format of Internal Extension RAM Size Select Register (IXS)

Symbol	7	6	5	4	3	2	1	0	Address	At reset	R/W
IXS	0	0	0	IXRAM4	IXRAM3	IXRAM2	IXRAM1	IXRAM0	FFF4H	0CH	R/W

IXRAM4	IXRAM3	IXRAM2	IXRAM1	IXRAM0	Selects Internal Extension RAM Capacity
0	1	1	0	0	0 byte
Others					Setting prohibited

Table 3-2 indicates the setting of IXS to perform the same memory mapping as that of a mask ROM model.

Table 3-2. Set Value of Internal Extension RAM Size Select Register

Targeted Model	Set Value of IXS
μPD178023, 178024	0CH

4. INTERRUPT FUNCTION

The μPD178F124 has the following three types and 17 sources of interrupts:

- Non-maskable : 1^{Note}
- Maskable : 16^{Note}
- Software : 1

Note Two types of watchdog interrupt sources (INTWDT), non-maskable and maskable, are available, and either of them can be selected.

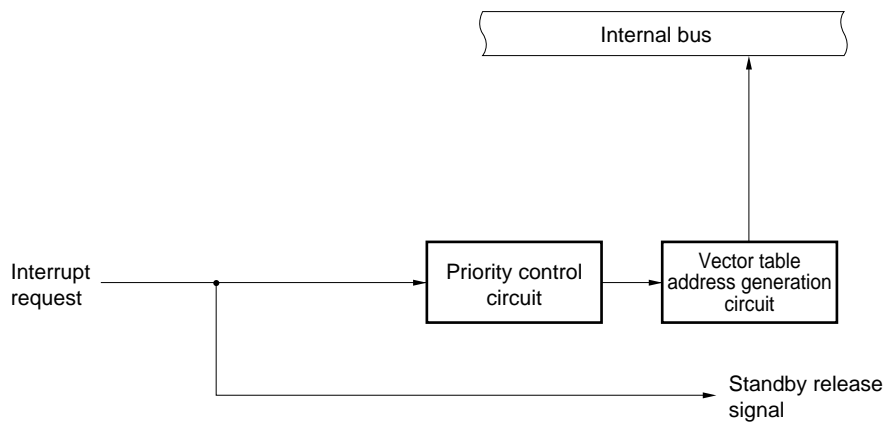
Table 4-1. Interrupt Sources

Interrupt Type	Default Priority ^{Note 1}	Interrupt Source		Internal/External	Vector Table Address	Basic Configuration Type ^{Note 2}
		Name	Trigger			
Non-maskable	–	INTWDT	Overflow of watchdog timer (when watchdog timer mode 1 is selected)	Internal	0004H	(A)
Maskable	0	INTWDT	Overflow of watchdog timer (when interval timer mode is selected)			
	1	INTP0	Pin input edge detection	External	0006H	(C)
	2	INTP1			0008H	
	3	INTP2			000AH	
	4	INTP3			000CH	
	5	INTP4			000EH	
	6	INTKY			Detection of key input of port 4	
	7	INTIIC0	End of transfer by serial interface IIC0	0012H		
	8	INTBTM0	Generation of basic timer match signal	0014H		
	9	INTAD3	End of conversion by A/D converter	0016H		
	10	–	–	–	0018H ^{Note 3}	–
	11	INTCSI3	End of transfer by serial interface SIO3	Internal	001AH	(B)
	12	INTTM50	Generation of coincidence signal of 8-bit timer/event counter 50		001CH	
	13	INTTM51	Generation of coincidence signal of 8-bit timer/event counter 51		001EH	
	14	INTSER0	Reception error of serial interface UART0		0020H	
	15	INTSR0	End of reception by serial interface UART0		0022H	
	16	INTST0	End of transmission by serial interface UART0		0024H	
Software	–	BRK	Execution of BRK instruction		–	

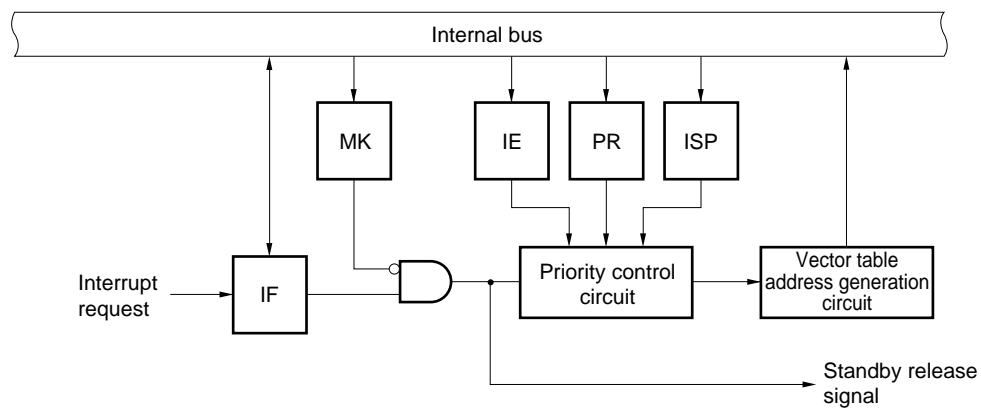
- Notes**
1. If two or more maskable interrupts occur at the same time, they are acknowledged or kept pending according to their default priorities. The default priority 0 is the highest, while 16 is the lowest.
 2. (A) to (D) under the heading Basic Configuration Type corresponds to (A) to (D) in Figure 4-1.
 3. There are no interrupt sources corresponding to vector addresses 0018H.

Figure 4-1. Basic Configuration of Interrupt Function (1/2)

(A) Internal non-maskable interrupt



(B) Internal maskable interrupt



(C) External maskable interrupt

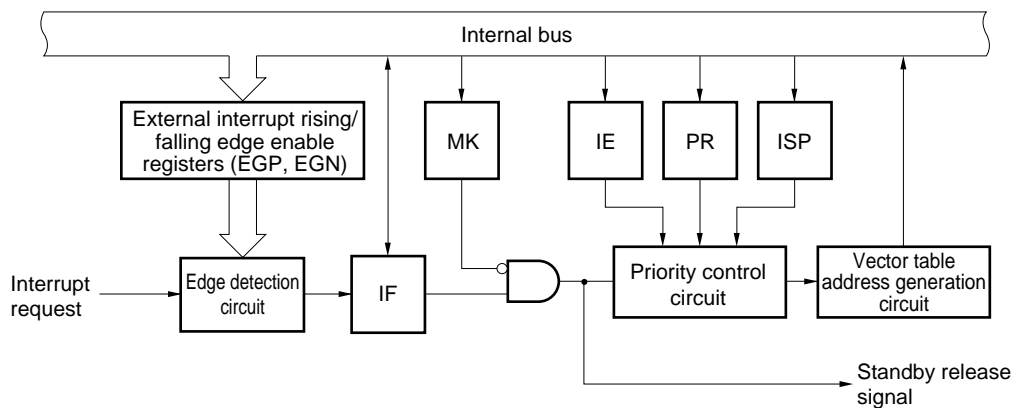
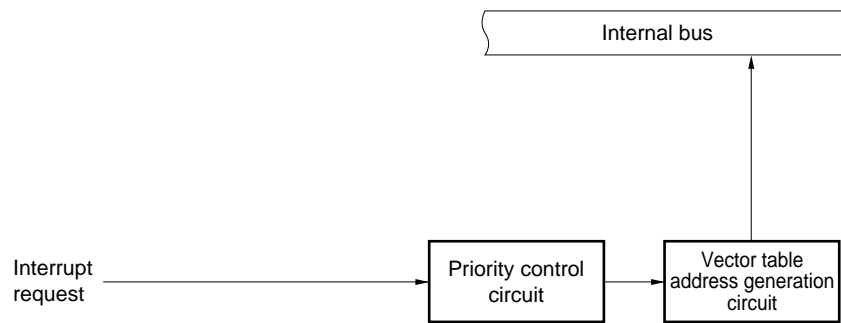


Figure 4-1. Basic Configuration of Interrupt Function (2/2)

(D) Software interrupt



- Remark**
- IF : Interrupt request flag
 - IE : Interrupt enable flag
 - ISP : In-service priority flag
 - MK : Interrupt mask flag
 - PR : Priority specification flag

5. FLASH MEMORY PROGRAMMING

The program memory provided in the μPD178F124 is flash memory.

The flash memory can be written on-board, i.e., with the μPD178F124 mounted on the target system.

To do so, connect a dedicated flash writer (Flashpro III (Part number FL-PR3, PG-FP3)) to the host machine and target system.

Remark FL-PR3 is a product of Naito Densai Machida Mfg. Co., Ltd.

5.1 Selecting Communication Mode

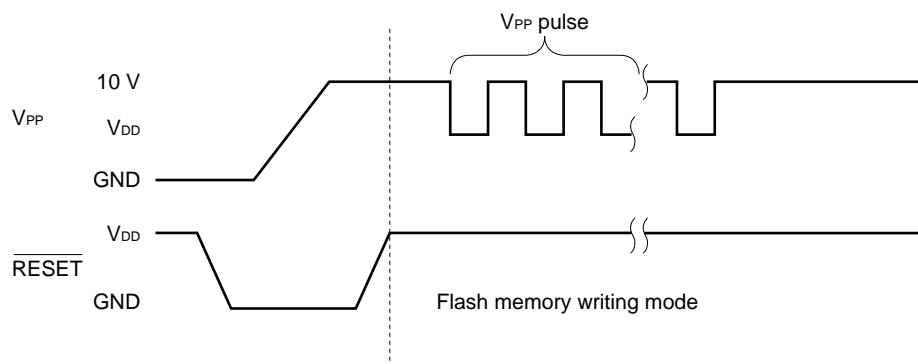
The flash memory is written by using Flashpro III and by means of serial communication. Select a communication mode from those listed in Table 5-1. To select a communication mode, the format shown in Figure 5-1 is used. Each communication mode is selected depending on the number of V_{PP} pulses shown in Table 5-1.

Table 5-1. Communication Modes

Communication Mode	Number of Channels	Pins Used	Number of V _{PP} Pulses
3-wire serial I/O (SIO3)	1	SI3/P70 SO3/P71 $\overline{\text{SCK3/P72}}$	0
UART0	1	$\overline{\text{RXD0/P74}}$ $\overline{\text{TXD0/P75}}$	8

Caution Be sure to select a communication mode by the number of V_{PP} pulses shown in Table 6-1.

Figure 5-1. Communication Mode Selection Format



5.2 Flash Memory Programming Function

An operation such as writing the flash memory is performed when a command or data is transmitted/received in the selected communication mode. The major flash memory programming functions are listed in Table 5-2.

Table 5-2. Major Flash Memory Programming Functions

Function	Description
Batch erase	Erases all memory contents.
Batch blank check	Checks erased status of entire memory.
Data write	Writes data to flash memory starting from write start address and based on number of data (bytes) to be written).
Batch verify	Compares all contents of memory with input data.

5.3 Connecting Flashpro III

Connection with Flashpro III differs depending on the communication mode (3-wire serial I/O or UART0). Figures 5-2 and 5-3 show the connection in the respective modes.

Figure 5-2. Connection of Flashpro III in 3-Wire Serial I/O Mode

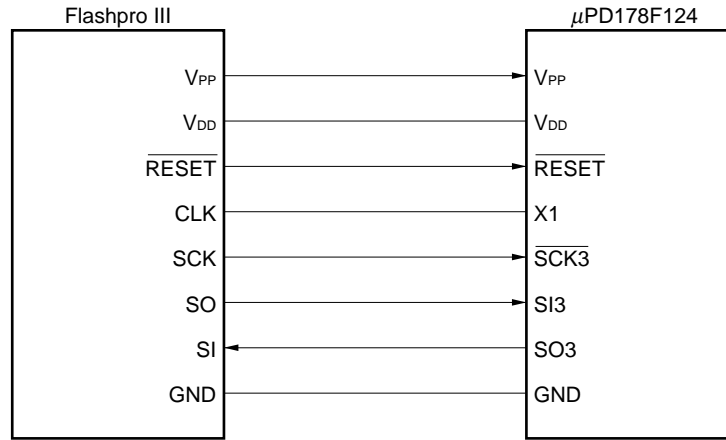
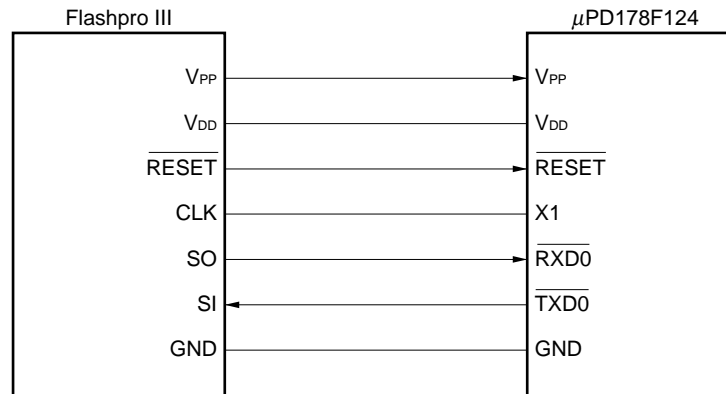


Figure 5-3. Connection of Flashpro III in UART0 Mode



6. ELECTRICAL SPECIFICATIONS

Absolute Maximum Ratings (T_A = 25°C)

Parameter	Symbol	Conditions		Rating	Unit
Supply voltage	V _{DD}			-0.3 to +6.0	V
	V _{DDPORT}			-0.3 to V _{DD} + 0.3 ^{Note 1}	V
	V _{DDPLL}			-0.3 to V _{DD} + 0.3 ^{Note 1}	V
	V _{PP}			-0.3 to +10.5	V
Input voltage	V _I			-0.3 to V _{DD} + 0.3	V
Output voltage	V _O	Excluding P130 to P132		-0.3 to V _{DD} + 0.3	V
Output breakdown voltage	V _{BDS}	P130-P132	N-ch open drain	16	V
Analog input voltage	V _{AN}	P10-P15	Analog input pin	-0.3 to V _{DD} + 0.3	V
High-level output current	I _{OH}	1 pin		-8	mA
		Total of P00-P06, P30-P37, P54-P57, P60-P67, and P120-P125		-15	mA
		Total of P40-P47, P50-P53, and P70-P77		-15	mA
Low-level output current	I _{OL} ^{Note 2}	1 pin	Peak value	16	mA
			r.m.s	8	mA
		Total of P00-P06, P30-P37, P40-P47, P50-P57, P60-P67, P70-P77, P120-P125, and P130-P132	Peak value	30	mA
			r.m.s	15	mA
Operating temperature	T _A	During normal operation		-40 to +85	°C
		During flash memory programming		10 to 40	°C
Storage temperature	T _{stg}			-55 to +125	°C

Notes 1. Keep the voltage at V_{DDPORT} and V_{DDPLL} same as that at the V_{DD} pin.

2. Calculate the r.m.s as follows: [r.m.s] = [Peak value] × √Duty

Caution If the rated value of even one of the above parameters is exceeded even momentarily, the quality of the product may be degraded. The absolute maximum ratings, therefore, are the values exceeding which the product may be physically damaged. Be sure to use the product with these ratings never being exceeded.

Remark Unless otherwise specified, the characteristics of a multiplexed pin are the same as those of the corresponding port pin.

Recommended Supply Voltage Ranges (T_A = -40 to +85°C)

Parameter	Symbol	Conditions	MIN.	TYP.	MAX.	Unit
Supply voltage	V _{DD1}	When CPU and PLL are operating	4.5	5.0	5.5	V
	V _{DD2}	When CPU is operating and PLL is stopped	3.5	5.0	5.5	V
Data retention voltage	V _{DDR}	When crystal oscillation stops	2.3		5.5	V
Output breakdown voltage	V _{BDS}	P130-P132 (N-ch open drain)			15	V

DC Characteristics (T_A = -40 to +85°C, V_{DD} = 3.5 to 5.5 V) (1/2)

Parameter	Symbol	Test Conditions	MIN.	TYP.	MAX.	Unit
High-level input voltage	V _{IH1}	P10-P15, P30-P32, P35-P37, P40-P47, P50-P57, P60-P67, P71, P73, P120-P125	0.7 V _{DD}		V _{DD}	V
	V _{IH2}	P00-P06, P33, P34, P70, P72, P74-P75, RESET	0.8 V _{DD}		V _{DD}	V
	V _{IH3}	P76, P77 (N-ch open-drain I/O)	4.5 V ≤ V _{DD} ≤ 5.5 V	0.7 V _{DD}	V _{DD}	V
Low-level input voltage	V _{IL1}	P10-P15, P30-P32, P35-P37, P40-P47, P50-P57, P60-P67, P71, P73, P120-P125	0		0.3 V _{DD}	V
	V _{IL2}	P00-P06, P33, P34, P70, P72, P74-P75, RESET	0		0.2 V _{DD}	V
	V _{IL3}	P76, P77 (N-ch open-drain I/O)	4.5 V ≤ V _{DD} ≤ 5.5 V	0	0.3 V _{DD}	V
High-level output voltage	V _{OH1}	P00-P06, P30-P37, P40-P47, P50-P57, P60-P67, P70-P77, P120-P125	4.5 V ≤ V _{DD} ≤ 5.5 V, I _{OH} = -1 mA	V _{DD} - 1.0		V
			3.5 V ≤ V _{DD} < 4.5 V, I _{OH} = -100 μA	V _{DD} - 0.5		V
	V _{OH2}	EO0, EO1	V _{DD} = 4.5 to 5.5 V, I _{OH} = -3 mA	V _{DD} - 1.0		V
Low-level output voltage	V _{OL1}	P00-P06, P30-P37, P40-P47, P50-P57, P60-P67, P70-P75, P120-P125	4.5 V ≤ V _{DD} ≤ 5.5 V, I _{OL} = 1 mA		1.0	V
			3.5 V ≤ V _{DD} < 4.5 V, I _{OL} = 100 μA		0.5	V
	V _{OL2}	EO0, EO1	V _{DD} = 4.5 to 5.5 V, I _{OL} = 3 mA		1.0	
	V _{OL3}	P76, P77 (N-ch open-drain I/O)	4.5 V ≤ V _{DD} ≤ 5.5 V I _{OL} = 3 mA		0.4	V
			4.5 V ≤ V _{DD} ≤ 5.5 V I _{OL} = 6 mA		0.6	V
High-level input leakage current	I _{LH}	P00-P06, P10-P15, P30-P37, P40-P47, P50-P57, P60-P67, P70-P77, P120-P125, RESET	V _{IN} = V _{DD}		3	μA

Remark Unless otherwise specified, the characteristics of a multiplexed pin are the same as those of the corresponding port pin.

DC Characteristics (T_A = -40 to +85°C, V_{DD} = 3.5 to 5.5 V) (2/2)

Parameter	Symbol	Test Conditions		MIN.	TYP.	MAX.	Unit
Low-level input leakage current	I _{LIL}	P00-P06, P10-P15, P30-P37, P40-P47, P50-P57, P60-P67, P70-P77, P120-P125, $\overline{\text{RESET}}$	V _{IN} = 0 V			-3	μA
Output off leakage current	I _{LOH1}	P130-P132	V _{OUT} = 15 V			-3	μA
	I _{LOL1}	P130-P132	V _{OUT} = 0 V			3	μA
	I _{LOH2}	P76, P77 (at N-ch open drain I/O)	V _{OUT} = V _{DD}			-3	μA
	I _{LOL2}	P76, P77 (at N-ch open drain I/O)	V _{OUT} = 0 V			3	μA
	I _{LOH3}	EO0, EO1	V _{OUT} = V _{DD}			-3	μA
	I _{LOL3}	EO0, EO1	V _{OUT} = 0 V			3	μA
Supply current ^{Note}	I _{DD1}	When CPU is operating and PLL is stopped. Sine wave input to X1 pin At f _x = 4.5 MHz V _{IN} = V _{DD}			5.0	18	mA
	I _{DD2}	In HALT mode with PLL stopped. Sine wave input to X1 pin At f _x = 4.5 MHz V _{IN} = V _{DD}			0.3	0.8	mA
Data retention voltage	V _{DDR1}	When crystal resonator is oscillating		3.5		5.5	V
	V _{DDR2}	When crystal oscillation is stopped	Power-failure detection function	2.2			V
	V _{DDR3}		Data memory retained	2.0			V
Data retention current	I _{DDR1}	When crystal oscillation is stopped	T _A = 25°C, V _{DD} = 5 V		2.0	4.0	μA
	I _{DDR2}				2.0	20	μA

Note Excluding AV_{DD} current and V_{DD}PLL current.

Remarks 1. f_x: System clock oscillation frequency

2. Unless otherwise specified, the characteristics of a multiplexed pin are the same as those of the corresponding port pin.

Reference Characteristics (T_A = -40 to +85°C, V_{DD} = 4.5 to 5.5 V)

Parameter	Symbol	Conditions	MIN.	TYP.	MAX.	Unit
Supply current	I _{DD3}	When CPU and PLL are operating. Sine wave input to VCOH pin At f _{IN} = 160 MHz V _{IN} = 0.15 V _{P-P}		5		mA

AC Characteristics

(1) Basic operation (T_A = -40 to +85°C, V_{DD} = 3.5 to 5.5 V)

Parameter	Symbol	Conditions	MIN.	TYP.	MAX.	Unit
Cycle time (minimum instruction execution time)	T _{CY}	f _x = 4.5 MHz	0.44		7.11	μs
TI50, TI51 input frequency	f _{TI5}				2	MHz
TI50, TI51 input high-/low-level widths	t _{TIH5} t _{TIL5}		200			ns
Interrupt input high-/low-level widths	t _{INTH} t _{INTL}	INTP0-INTP4	1			μs
RESET pin low-level width	t _{RSL}		10			μs

(2) Serial interface (T_A = -40 to +85°C, V_{DD} = 3.5 to 5.5 V)

(a) Serial interface (IIC0)

I²C bus mode

Parameter		Symbol	Standard Mode		High-speed Mode		Unit
			MIN.	MAX.	MIN.	MAX.	
SCL0 clock frequency		f _{CLK}	0	100	0	400	kHz
Bus free time (between stop and start conditions)		t _{BUF}	4.7	–	1.3	–	μs
Hold time ^{Note 1}		t _{HD : STA}	4.0	–	0.6	–	μs
SCL0 clock low-level width		t _{LOW}	4.7	–	1.3	–	μs
SCL0 clock high-level width		t _{HIGH}	4.0	–	0.6	–	μs
Start/restart condition setup time		t _{SU : STA}	4.7	–	0.6	–	μs
Data hold time	CBUS compatible master	t _{HD : DAT}	5.0	–	–	–	μs
	I ² C bus		0 ^{Note 2}	–	0 ^{Note 2}	0.9 ^{Note 3}	μs
Data setup time		t _{SU : DAT}	250	–	100 ^{Note 4}	–	ns
SDA0 and SCL0 signal rise time		t _R	–	1000	20+0.1Cb ^{Note 5}	300	ns
SDA0 and SCL0 signal fall time		t _F	–	300	20+0.1Cb ^{Note 5}	300	ns
Stop condition setup time		t _{SU : STO}	4.0	–	0.6	–	μs
Pulse width of spike restrained by input filter		t _{SP}	–	–	0	50	ns
Each bus line capacitive load		C _b	–	400	–	400	pF

- Notes**
1. The first clock pulse is generated at the start condition after this period.
 2. The device needs to internally supply a hold time of at least 300 ns for the SDA0 signal to fill the undefined area at the falling edge of the SCL0 (V_{IHmin.} of the SCL0 signal).
 3. Unless the device extends the low hold time (t_{LOW}) of the SCL0 signal, it is necessary to fill only the maximum data hold time (t_{HD : DAT}).
 4. The high-speed mode I²C bus can be used in the standard mode I²C bus system. In this case, satisfy the following conditions:
 - When the device does not extend the low hold time of the SCL0 signal
t_{SU : DAT} ≥ 250 ns
 - When the device extends the low hold time of the SCL0 signal
Send the next data bit to the SDA line before releasing the SCL0 line (t_{Rmax.} + t_{SU:DAT} = 1000 + 250 = 1250 ns : in the standard mode I²C bus specification)
 5. C_b: Total capacitance of one bus line (unit: pF)

(b) Serial interface (SIO3)

(i) 3-wire serial I/O mode ($\overline{\text{SCK3}}$... internal clock output)

Parameter	Symbol	Test Conditions	MIN.	TYP.	MAX.	Unit
$\overline{\text{SCK3}}$ cycle time	t_{KCY1}		800			ns
$\overline{\text{SCK3}}$ high/low-level width	$t_{\text{KH1}},$ t_{KL1}		$t_{\text{KCY1}}/2 - 50$			ns
SI3 setup time (to $\overline{\text{SCK3}}\uparrow$)	t_{SIK1}		100			ns
SI3 hold time (from $\overline{\text{SCK3}}\uparrow$)	t_{KSI1}		400			ns
$\overline{\text{SCK3}}\downarrow \rightarrow \text{SO3}$ output delay time	t_{KSO1}	C = 100 pF Note			300	ns

Note C is the load capacitance of $\overline{\text{SCK3}}$ and SO3 output line.

(ii) 3-wire serial I/O mode ($\overline{\text{SCK3}}$... external clock input)

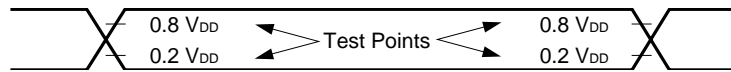
Parameter	Symbol	Test Conditions	MIN.	TYP.	MAX.	Unit
$\overline{\text{SCK3}}$ cycle time	t_{KCY2}		800			ns
$\overline{\text{SCK3}}$ high/low-level width	$t_{\text{KH2}},$ t_{KL2}		400			ns
SI3 setup time (to $\overline{\text{SCK3}}\uparrow$)	t_{SIK2}		100			ns
SI3 hold time (from $\overline{\text{SCK3}}\uparrow$)	t_{KSI2}		400			ns
$\overline{\text{SCK3}}\downarrow \rightarrow \text{SO3}$ output delay time	t_{KSO2}	C = 100 pF Note			300	ns
$\overline{\text{SCK3}}$ at rising or falling edge time	$t_{\text{R2}}, t_{\text{F2}}$				1000	ns

Note C is the load capacitance of SO3 output line.

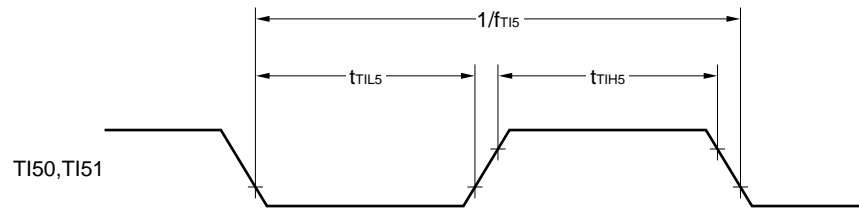
(d) Serial interface (UART0: Dedicated baud rate generator output)

Parameter	Symbol	Test Conditions	MIN.	TYP.	MAX.	Unit
Transfer rate					38400	bps

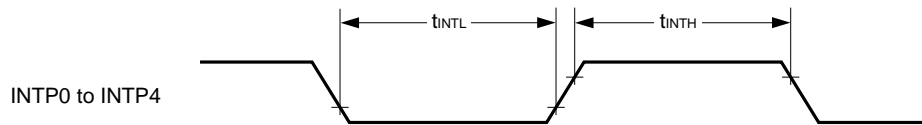
AC Timing Test Point (Excluding X1 Input)



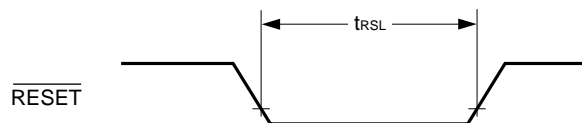
TI Timing



Interrupt Input Timing

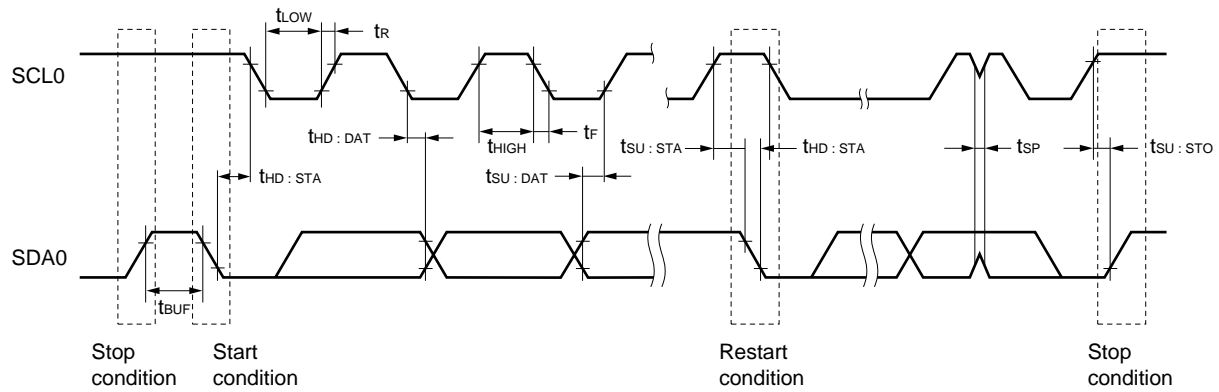


$\overline{\text{RESET}}$ Input Timing

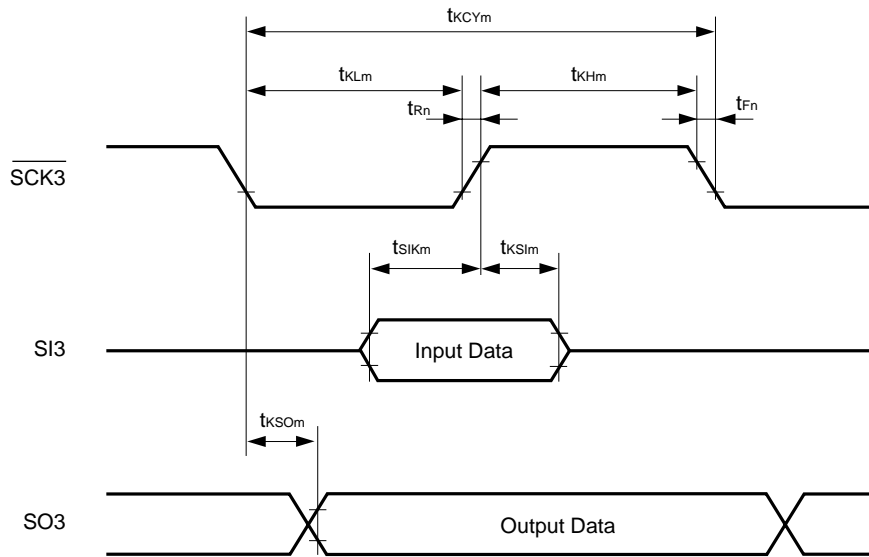


Serial Transfer Timing

I²C bus mode:



3-wire serial I/O mode:



Remark $m = 1, 2$
 $n = 2$

A/D Converter Characteristics (T_A = -40 to +85°C, V_{DD} = 3.5 to 5.5 V)

Parameter	Symbol	Conditions	MIN.	TYP.	MAX.	Unit
Resolution			8	8	8	bit
Total conversion error ^{Note}		V _{DD} = 4.5 ~ 5.5 V			±1.0	%
					±1.4	%
Conversion time	t _{CONV}		21.3		64.0	μs
Analog input voltage	V _{IAN}		0		V _{DD}	V

Note Excluding quantization error (±1/2LSB)

PLL Characteristics (T_A = -40 to +85°C, V_{DD} = 4.5 to 5.5 V)

Parameter	Symbol	Conditions	MIN.	TYP.	MAX.	Unit
Operating frequency	f _{IN1}	VCOL pin, MF mode, sine wave input, V _{IN} = 0.15 V _{P-P}	0.5		3.0	MHz
	f _{IN2}	VCOL pin, HF mode, sine wave input, V _{IN} = 0.15 V _{P-P}	10		40	MHz
	f _{IN3}	VCOH pin, VHF mode, sine wave input, V _{IN} = 0.15 V _{P-P}	60		130	MHz
	f _{IN4}	VCOH pin, VHF mode, sine wave input, V _{IN} = 0.3 V _{P-P}	40		160	MHz

IFC Characteristics (T_A = -40 to +85°C, V_{DD} = 4.5 to 5.5 V)

Parameter	Symbol	Test Conditions	MIN.	TYP.	MAX.	Unit
Operating frequency	f _{IN5}	AMIFC pin, AMIF count mode, sine wave input, V _{IN} = 0.15 V _{P-P}	0.4		0.5	MHz
	f _{IN6}	FMIFC pin, FMIF count mode, sine wave input, V _{IN} = 0.15 V _{P-P}	10		11	MHz
	f _{IN7}	FMIFC pin, AMIF count mode, sine wave input, V _{IN} = 0.15 V _{P-P}	0.4		0.5	MHz

Flash Memory Programming Characteristics (V_{DD} = 3.5 to 5.5 V, T_A = 10 to 40°C)

(1) Write/delete characteristics

Parameter	Symbol	Conditions	MIN.	TYP.	MAX.	Unit
Write current (V _{DD} pin) ^{Note}	t _{DDW}	When V _{PP} = V _{PP1} , f _X = 4.5 MHz			20	mA
Write current (V _{PP} pin) ^{Note}	I _{PPW}	When V _{PP} = V _{PP1} , f _X = 4.5 MHz			20	mA
Delete current (V _{DD} pin) ^{Note}	I _{DDE}	When V _{PP} = V _{PP1} , f _X = 4.5 MHz			20	mA
Delete current (V _{PP} pin) ^{Note}	I _{PPE}	When V _{PP} = V _{PP1}			100	mA
Unit delete time	t _{ER}		0.5	1	1	s
Total delete time	t _{ERA}				20	s
Number of overwrite	C _{WRT}	Delete and write are counted as one cycle			20	times
V _{PP} power supply voltage	V _{PP0}	In normal mode	0		0.2 V _{DD}	V
	V _{PP1}	At flash memory programming	9.7	10.0	10.3	V

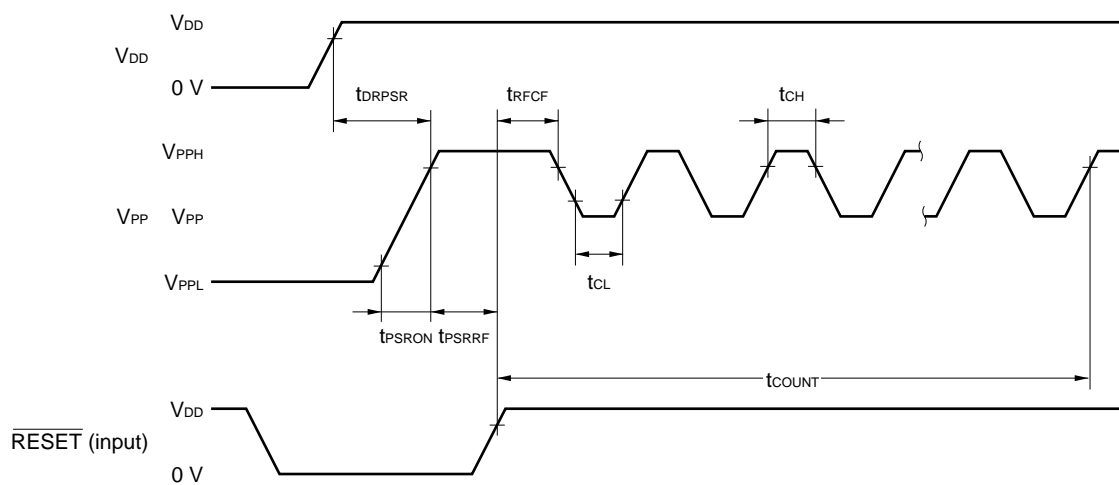
Note AV_{DD} current and Port current (current flowing to internal pull-up resistor) are not included.

Remark f_X: System clock oscillation frequency

(2) Serial write operation characteristics

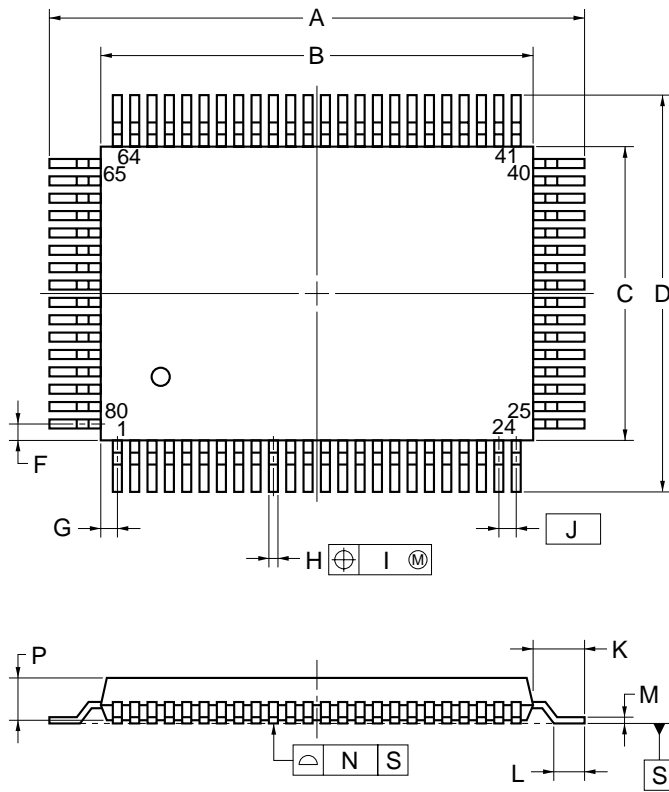
Parameter	Symbol	Conditions	MIN.	TYP.	MAX.	Unit
V _{PP} setup time	t _{PSRON}	V _{PP} high voltage	1.0			μs
V _{PP} ↑ setup time from V _{DD} ↑	t _{DRPSR}	V _{PP} high voltage	1.0			μs
RESET↑ setup time from V _{PP} ↑	t _{PSRRF}	V _{PP} high voltage	1.0			μs
V _{PP} count start time from RESET↑	t _{RFCF}		1.0			μs
Count execution time	t _{COUNT}				2.0	ms
V _{PP} counter high-level width	t _{CH}		8.0			μs
V _{PP} counter low-level width	t _{CL}		8.0			μs
V _{PP} counter noise elimination width	t _{NFW}			40		ns

Flash Write Mode Setting Timing

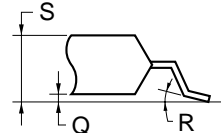


7. PACKAGE DRAWING

80-PIN PLASTIC QFP (14x20)



detail of lead end



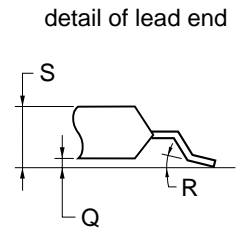
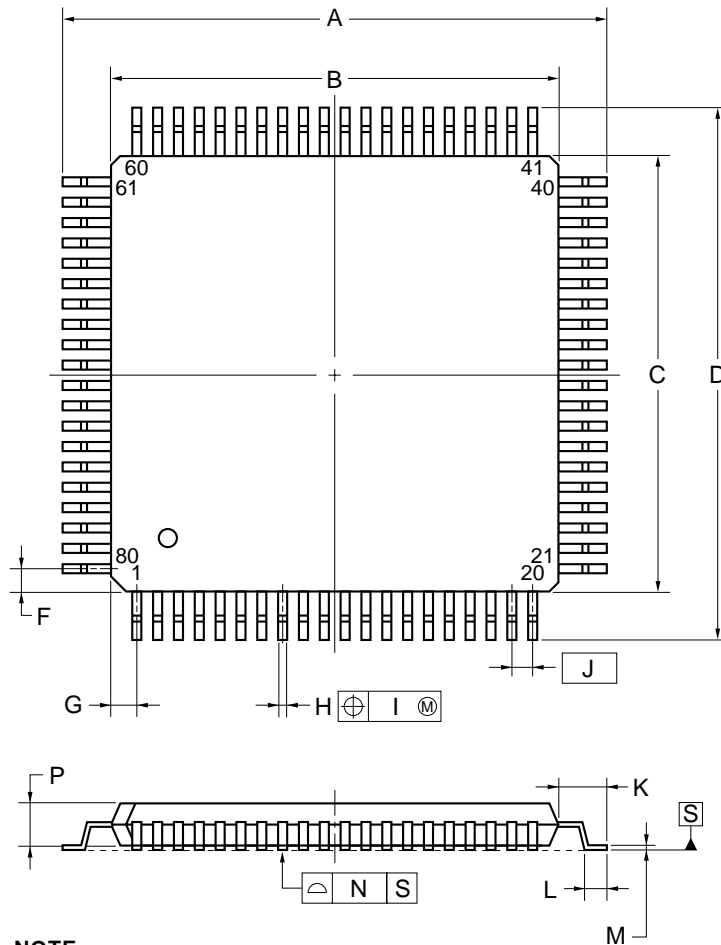
NOTE

Each lead centerline is located within 0.15 mm of its true position (T.P.) at maximum material condition.

ITEM	MILLIMETERS
A	23.6±0.4
B	20.0±0.2
C	14.0±0.2
D	17.6±0.4
F	1.0
G	0.8
H	0.37 ^{+0.08} _{-0.07}
I	0.15
J	0.8 (T.P.)
K	1.8±0.2
L	0.8±0.2
M	0.17 ^{+0.08} _{-0.07}
N	0.10
P	2.7±0.1
Q	0.1±0.1
R	5°±5°
S	3.0 MAX.

P80GF-80-3B9-5

80-PIN PLASTIC QFP (14x14)



NOTE

Each lead centerline is located within 0.13 mm of its true position (T.P.) at maximum material condition.

ITEM	MILLIMETERS
A	17.20±0.20
B	14.00±0.20
C	14.00±0.20
D	17.20±0.20
F	0.825
G	0.825
H	0.32±0.06
I	0.13
J	0.65 (T.P.)
K	1.60±0.20
L	0.80±0.20
M	0.17 ^{+0.03} _{-0.07}
N	0.10
P	1.40±0.10
Q	0.125±0.075
R	3° ^{+7°} _{-3°}
S	1.70 MAX.

P80GC-65-8BT-1

8. RECOMMENDED SOLDERING CONDITIONS

Solder this product under the following recommended conditions.

For details of the recommended soldering conditions, refer to information document **Semiconductor Device Mounting Technology Manual (C10535E)**.

For soldering methods and conditions other than those recommended, consult NEC.

Table 8-1. Soldering Conditions for Surface-Mount Type

μPD178F124GF-3B9: 80-pin plastic QFP (14 × 20)

Soldering Method	Soldering Conditions	Recommended Conditions Symbol
Infrared reflow	Package peak temperature: 235°C, Time: 30 sec max. (210°C min.), Number of times: 3 max.	IR35-00-3
VPS	Package peak temperature: 215°C, Time: 40 sec max. (200°C min.), Number of times: 3 max.	VP15-00-3
Wave soldering	Solder bath temperature: 260°C max., Time: 10 sec max., Number of times: 1, Preheating temperature: 120°C max., (Package surface temperature)	WS60-00-1
Partial heating	Pin temperature: 300°C max., Time: 3 sec max (per device side)	—

Caution Do not use two or more soldering methods in combination (except partial heating).

μPD178F124GC-8BT: 80-pin plastic QFP (14 × 14)

Soldering Method	Soldering Conditions	Recommended Conditions Symbol
Infrared reflow	Package peak temperature: 235°C, Time: 30 sec max. (210°C min.), Number of times: 2 max.	IR35-00-2
VPS	Package peak temperature: 215°C, Time: 40 sec max. (200°C min.), Number of times: 2 max.	VP15-00-2
Wave soldering	Solder bath temperature: 260°C max., Time: 10 sec max., Number of times: 1, Preheating temperature: 120°C max., (Package surface temperature)	WS60-00-1
Partial heating	Pin temperature: 300°C max., Time: 3 sec max (per device side)	—

Caution Do not use two or more soldering methods in combination (except partial heating).

APPENDIX A. DEVELOPMENT TOOLS

The following development tools are available for development of systems using the μPD178F124.

(1) Language processor software

RA78K0 ^{Notes 1, 2, 3}	Assembler package common to 78K/0 series
CC78K0 ^{Notes 1, 2, 3}	C compiler package common to 78K/0 series
DF178124 ^{Notes 1, 2, 3}	Device file for μPD178024 subseries
CC78K0-L ^{Notes 1, 2, 3}	C compiler library source file common to 78K/0 series

(2) Flash memory writing tools

Fashpro III (Part number: FL-PR3 ^{Note 4} , PG-FP3)	Dedicated flash writer
FA-80GF ^{Note 4}	Flash memory writing adapter
FA-80GC-8BT ^{Note 4}	

(3) Debugging tools

- When in-circuit emulator IE-78K0-NS is used

IE-78K0-NS	In-circuit emulator common to 78K/0 series
IE-70000-MC-PS-B	Power supply unit for IE-78K0-NS
IE-78K0-NS-PA	Performance board for enhancing and expanding the IE-78K0-NS function
IE-70000-98-IF-C	Interface adapter necessary when a PC-9800 series (except notebook-type PC) is used as host machine (C bus supported)
IE-70000-CD-IF-A	PC card and interface cable necessary when a notebook-type PC is used as host machine (PCMCIA socket supported)
IE-70000-PC-IF-C	Interface adapter when a IBM PC/AT™ compatible machine is used (ISA bus supported)
IE-70000-PCI-IF	Interface adapter necessary when a PC with a PCI bus is used as host machine
IE-178134-NS-EM1	Emulation board for emulating the μPD178024 subseries
NP-80GF ^{Note 4}	Emulation probe for 80-pin plastic QFP (GF-3B9 type)
EV-9200G-80	Socket to be mounted on the board of the target system for 80-pin plastic QFP (GF-3B9 type)
NP-80GC ^{Note 4}	Emulation probe for 80-pin plastic QFP (GC-8BT type)
EV-9200GC-80	Socket to be mounted on the board of the target system for 80-pin plastic QFP (GC-8BT type)
SM78K0 ^{Notes 1, 2}	System simulator common to 78K/0 series
ID78K0-NS ^{Notes 1, 2}	Integrated debugger common to 78K/0 series
DF178124 ^{Notes 1, 2, 3}	Device file for μPD178024 subseries

- Notes**
1. PC-9800 series (Japanese Windows™) based
 2. IBM PC/AT compatible machine (Japanese/English Windows) based
 3. HP9000 series 700™ (HP-UX™) based, SPARCstation™ (SunOS™, Solaris™) based, NEWS™ (NEW-OS™) based
 4. Products of Naito Densetsu Machida Mfg. Co., Ltd. (Tel: 044-822-3813).

Remark Use the RA78K0, CC78K0, and SM78K0 in combination with the DF178124.

• When in-circuit emulator IE-78001-R-A is used

IE-78001-R-A	In-circuit emulator common to 78K/0 series
IE-70000-98-IF-C	Interface adapter necessary when a PC-9800 series (except notebook-type PC) is used as host machine (C bus supported)
IE-70000-PC-IF-C	Interface adapter when a IBM PC/AT compatible machine is used (ISA bus supported)
IE-70000-PCI-IF	Interface adapter necessary when a PC with a PCI bus is used as host machine
IE-78000-R-SV3	Interface adapter and cable necessary when an EWS is used as host machine
IE-178134-NS-EM1	Emulation board for emulating the μPD178024 subseries
IE-78K0-R-EX1	Emulation probe conversion board necessary when using IE-178134-NS-EM1 on IE-78001-R-A.
EP-78130GF-R	Emulation probe for 80-pin plastic QFP (GF-3B9 type)
EV-9200G-80	Socket to be mounted on the board of the target system for 80-pin plastic QFP (GF-3B9 type)
EP-78230GC-R	Emulation probe for 80-pin plastic QFP (GC-8BT type)
EV-9200GC-80	Socket to be mounted on the board of the target system for 80-pin plastic QFP (GC-8BT type)
SM78K0 ^{Notes 1, 2}	System simulator common to 78K/0 series
ID78K0 ^{Notes 1, 2}	Integrated debugger common to 78K/0 series
DF178124 ^{Notes 1, 2, 3}	Device file for μPD178024 subseries

Real-time OS

RX78K0 ^{Notes 1, 2, 3}	Real-time OS for 78K/0 series
MX78K0 ^{Notes 1, 2, 3}	OS for 78K/0 series

- Notes**
1. PC-9800 series (Japanese Windows) based
 2. IBM PC/AT compatible machine (Japanese/English windows) based
 3. HP9000 series 700 (HP-UX) based, SPARCstation (SunOS, Solaris) based, NEWS (NEW-OS) based

Remark Use SM78K0 in combination with the DF178124.

APPENDIX B. RELATED DOCUMENTS

The related documents indicated in this publication may include preliminary versions. However, preliminary versions are not marked as such.

Device Documents

Title		Document No.	
		Japanese	English
μPD178023, 178024 Data Sheet		U14126J	U14126E
μPD178F124 Data Sheet		U14933J	This document
μPD178024, 178124 Subseries User's Manual		U13915J	U13915E
78K/0 Series User's Manual—Instruction		U12326J	U12326E
78K/0 Series Application Note	Basics (I)	U12704J	U12704E
78K/0, 78K/0S Series Flash Memory Write Application Note		U14458J	U14458E

Development Tool Documents (User's Manual)

Title		Document No.	
		Japanese	English
RA78K0 Assembler Package	Operation	U11802J	U11802E
	Assembly Language	U11801J	U11801E
	Structured Assembly Language	U11789J	U11789E
CC78K0 C Compiler	Operation	U11517J	U11517E
	Language	U11518J	U11518E
PG-FP3 Flash Memory Programmer		U13502J	U13502E
IE-78001-R-A In-circuit Emulator		U14142J	To be prepared
IE-78K0-NS In-circuit Emulator		U13731J	U13731E
IE-178134-NS-EM1 Emulation Board		To be prepared	To be prepared
EP-78230 Emulation Probe		EEU-985	EEU-1515
EP-78130 Emulation Probe		–	EEU-1470
SM78K0 System Simulator Windows Based	Reference	U10181J	U10181E
SM78K Series System Simulator	External Parts User Open Interface Specifications	U10092J	U10092E
ID78K0 Integrated Debugger EWS Based	Reference	U11151J	–
ID78K0 Integrated Debugger PC Based	Reference	U11539J	U11539E
ID78K0 Integrated Debugger Windows Based	Guide	U11649J	U11649E
ID78K0-NS Integrated Debugger Windows Based	Operation	U14379J	U14379E
ID78K0-NS, ID78K0S-NS Integrated Debugger Ver. 2.20 Windows Based	Operation	U14910J	To be prepared

Caution The contents of the above documents are subject to change without notice. Please ensure that the latest versions are used in design work, etc.

Related Documents for Embedded Software (User's Manual)

Title		Document No.	
		Japanese	English
78K/0 Series Real-time OS	Fundamental	U11537J	U11537E
	Installation	U11536J	U11536E
78K/0 Series OS MX78K0	Fundamental	U12257J	U12257E

Other Documents

Title	Document No.	
	Japanese	English
SEMICONDUCTOR SELECTION GUIDE Products & Packages (CD-ROM)	X13769X	
Semiconductor Device Mounting Technology Manual	C10535J	C10535E
Quality Guides on NEC Semiconductor Devices	C11531J	C11531E
NEC Semiconductor Device Reliability and Quality Control	C10983J	C10983E
Guide to Prevent Damage for Semiconductor Devices by Electrostatic Discharge (ESD)	C11892J	C11892E
Semiconductor Device Quality/Reliability Handbook	C12769J	—
Microcomputer Product Series Guide	U11416J	—

Caution The contents of the above documents are subject to change without notice. Ensure that the latest versions are used in design work, etc.

[MEMO]

[MEMO]

[MEMO]

NOTES FOR CMOS DEVICES**① PRECAUTION AGAINST ESD FOR SEMICONDUCTORS**

Note:

Strong electric field, when exposed to a MOS device, can cause destruction of the gate oxide and ultimately degrade the device operation. Steps must be taken to stop generation of static electricity as much as possible, and quickly dissipate it once, when it has occurred. Environmental control must be adequate. When it is dry, humidifier should be used. It is recommended to avoid using insulators that easily build static electricity. Semiconductor devices must be stored and transported in an anti-static container, static shielding bag or conductive material. All test and measurement tools including work bench and floor should be grounded. The operator should be grounded using wrist strap. Semiconductor devices must not be touched with bare hands. Similar precautions need to be taken for PW boards with semiconductor devices on it.

② HANDLING OF UNUSED INPUT PINS FOR CMOS

Note:

No connection for CMOS device inputs can be cause of malfunction. If no connection is provided to the input pins, it is possible that an internal input level may be generated due to noise, etc., hence causing malfunction. CMOS devices behave differently than Bipolar or NMOS devices. Input levels of CMOS devices must be fixed high or low by using a pull-up or pull-down circuitry. Each unused pin should be connected to V_{DD} or GND with a resistor, if it is considered to have a possibility of being an output pin. All handling related to the unused pins must be judged device by device and related specifications governing the devices.

③ STATUS BEFORE INITIALIZATION OF MOS DEVICES

Note:

Power-on does not necessarily define initial status of MOS device. Production process of MOS does not define the initial operation status of the device. Immediately after the power source is turned ON, the devices with reset function have not yet been initialized. Hence, power-on does not guarantee out-pin levels, I/O settings or contents of registers. Device is not initialized until the reset signal is received. Reset operation must be executed immediately after power-on for devices having reset function.

Purchase of NEC I²C components conveys a license under the Philips I²C Patent Rights to use these components in an I²C system, provided that the system conforms to the I²C Standard Specification as defined by Philips.

IEBus is a trademark of NEC Corporation.

Windows is either a registered trademark or trademark of Microsoft Corporation in the United States and/or other countries.

PC/AT is a trademark of IBM Corporation.

HP9000 series 700 and HP-UX are trademarks of Hewlett-Packard Company.

SPARCstation is a trademark of SPARC International, Inc.

Solaris and SunOS are trademarks of Sun Microsystems, Inc.

NEWS and NEWS-OS are trademarks of Sony Corporation.

Regional Information

Some information contained in this document may vary from country to country. Before using any NEC product in your application, please contact the NEC office in your country to obtain a list of authorized representatives and distributors. They will verify:

- Device availability
- Ordering information
- Product release schedule
- Availability of related technical literature
- Development environment specifications (for example, specifications for third-party tools and components, host computers, power plugs, AC supply voltages, and so forth)
- Network requirements

In addition, trademarks, registered trademarks, export restrictions, and other legal issues may also vary from country to country.

NEC Electronics Inc. (U.S.)

Santa Clara, California
Tel: 408-588-6000
800-366-9782
Fax: 408-588-6130
800-729-9288

NEC Electronics (Germany) GmbH

Duesseldorf, Germany
Tel: 0211-65 03 02
Fax: 0211-65 03 490

NEC Electronics (UK) Ltd.

Milton Keynes, UK
Tel: 01908-691-133
Fax: 01908-670-290

NEC Electronics Italiana s.r.l.

Milano, Italy
Tel: 02-66 75 41
Fax: 02-66 75 42 99

NEC Electronics (Germany) GmbH

Benelux Office
Eindhoven, The Netherlands
Tel: 040-2445845
Fax: 040-2444580

NEC Electronics (France) S.A.

Velizy-Villacoublay, France
Tel: 01-30-67 58 00
Fax: 01-30-67 58 99

NEC Electronics (France) S.A.

Madrid Office
Madrid, Spain
Tel: 91-504-2787
Fax: 91-504-2860

NEC Electronics (Germany) GmbH

Scandinavia Office
Taeby, Sweden
Tel: 08-63 80 820
Fax: 08-63 80 388

NEC Electronics Hong Kong Ltd.

Hong Kong
Tel: 2886-9318
Fax: 2886-9022/9044

NEC Electronics Hong Kong Ltd.

Seoul Branch
Seoul, Korea
Tel: 02-528-0303
Fax: 02-528-4411

NEC Electronics Singapore Pte. Ltd.

United Square, Singapore
Tel: 65-253-8311
Fax: 65-250-3583

NEC Electronics Taiwan Ltd.

Taipei, Taiwan
Tel: 02-2719-2377
Fax: 02-2719-5951

NEC do Brasil S.A.

Electron Devices Division
Guarulhos-SP Brasil
Tel: 55-11-6462-6810
Fax: 55-11-6462-6829

J00.7

- **The information in this document is current as of August, 2000. The information is subject to change without notice. For actual design-in, refer to the latest publications of NEC's data sheets or data books, etc., for the most up-to-date specifications of NEC semiconductor products. Not all products and/or types are available in every country. Please check with an NEC sales representative for availability and additional information.**
- No part of this document may be copied or reproduced in any form or by any means without prior written consent of NEC. NEC assumes no responsibility for any errors that may appear in this document.
- NEC does not assume any liability for infringement of patents, copyrights or other intellectual property rights of third parties by or arising from the use of NEC semiconductor products listed in this document or any other liability arising from the use of such products. No license, express, implied or otherwise, is granted under any patents, copyrights or other intellectual property rights of NEC or others.
- Descriptions of circuits, software and other related information in this document are provided for illustrative purposes in semiconductor product operation and application examples. The incorporation of these circuits, software and information in the design of customer's equipment shall be done under the full responsibility of customer. NEC assumes no responsibility for any losses incurred by customers or third parties arising from the use of these circuits, software and information.
- While NEC endeavours to enhance the quality, reliability and safety of NEC semiconductor products, customers agree and acknowledge that the possibility of defects thereof cannot be eliminated entirely. To minimize risks of damage to property or injury (including death) to persons arising from defects in NEC semiconductor products, customers must incorporate sufficient safety measures in their design, such as redundancy, fire-containment, and anti-failure features.
- NEC semiconductor products are classified into the following three quality grades:
"Standard", "Special" and "Specific". The "Specific" quality grade applies only to semiconductor products developed based on a customer-designated "quality assurance program" for a specific application. The recommended applications of a semiconductor product depend on its quality grade, as indicated below. Customers must check the quality grade of each semiconductor product before using it in a particular application.
 - "Standard": Computers, office equipment, communications equipment, test and measurement equipment, audio and visual equipment, home electronic appliances, machine tools, personal electronic equipment and industrial robots
 - "Special": Transportation equipment (automobiles, trains, ships, etc.), traffic control systems, anti-disaster systems, anti-crime systems, safety equipment and medical equipment (not specifically designed for life support)
 - "Specific": Aircraft, aerospace equipment, submersible repeaters, nuclear reactor control systems, life support systems and medical equipment for life support, etc.

The quality grade of NEC semiconductor products is "Standard" unless otherwise expressly specified in NEC's data sheets or data books, etc. If customers wish to use NEC semiconductor products in applications not intended by NEC, they must contact an NEC sales representative in advance to determine NEC's willingness to support a given application.

(Note)

- (1) "NEC" as used in this statement means NEC Corporation and also includes its majority-owned subsidiaries.
- (2) "NEC semiconductor products" means any semiconductor product developed or manufactured by or for NEC (as defined above).