

BIPOLAR ANALOG INTEGRATED CIRCUIT  
**μPC4061**

J-FET INPUT LOW-POWER OPERATIONAL AMPLIFIER

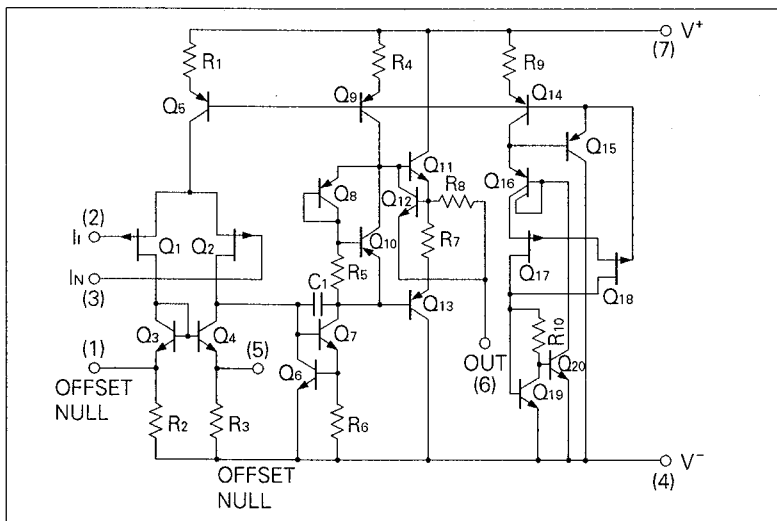
**DESCRIPTION**

The μPC4061 is a J-FET input low-power operational amplifier featuring low supply voltage operation from ±2 V. Supply current is ten times smaller than μPC4081 type J-FET input op-amp. With very low input bias current characteristics, the μPC4061 is an excellent choice for hand-held measurement equipment and other low-power application circuits.

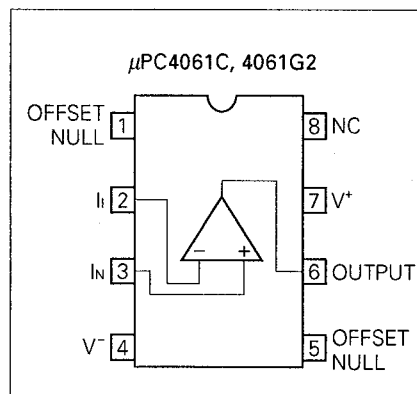
**FEATURES**

- Low supply current: 220 μA (TYP.)
- Very low input bias and offset currents
- Offset voltage null capability
- High input impedance...J-FET Input Stage
- Low supply voltage operation
- Output short circuit protection
- Internal frequency compensation

**EQUIVALENT CIRCUIT**



**CONNECTION DIAGRAM  
(Top View)**



**ORDERING INFORMATION**

PART NUMBER	PACKAGE	QUALITY GRADE
μPC4061C	8 PIN PLASTIC DIP (300 mil)	Standard
μPC4061G2	8 PIN PLASTIC SOP (225 mil)	Standard

Please refer to "Quality grade on NEC Semiconductor Devices" (Document number IEI-1209) published by NEC Corporation to know the specifications of quality grade on the devices and its recommended applications.

**ABSOLUTE MAXIMUM RATINGS (T<sub>a</sub> = 25 °C)**

PARAMETER		SYMBOL	μPC4061	UNIT
Voltage between V <sup>+</sup> and V <sup>-</sup> (Note 1)		V <sup>+</sup> - V <sup>-</sup>	-0.3 to +36	V
Differential Input Voltage		V <sub>ID</sub>	±30	V
Input Voltage (Note 2)		V <sub>I</sub>	V <sup>-</sup> -0.3 to V <sup>+</sup> +0.3	V
Output Voltage (Note 3)		V <sub>O</sub>	V <sup>-</sup> -0.3 to V <sup>+</sup> +0.3	V
Power Dissipation	C Package (Note 4)	P <sub>T</sub>	350	mW
	G2 Package (Note 5)		440	mW
Output Short Circuit Duration (Note 6)			Indefinite	sec
Operating Temperature Range		T <sub>opt</sub>	-20 to +80	°C
Storage Temperature Range		T <sub>stg</sub>	-55 to +125	°C

**Note 1.** Reverse connection of supply voltage can cause destruction.

**Note 2.** The input voltage should be allowed to input without damage or destruction. Even during the transition period of supply voltage, power on/off etc., this specification should be kept. The normal operation will establish when the both inputs are within the Common Mode Input Voltage Range of electrical characteristics.

**Note 3.** This specification is the voltage which should be allowed to supply to the output terminal from external without damage or destructive. Even during the transition period of supply voltage, power on/off etc., this specification should be kept. The output voltage of normal operation will be the Output Voltage Swing of electrical characteristics.

**Note 4.** Thermal derating factor is -5.0 mV / °C when ambient temperature is higher than 55 °C.

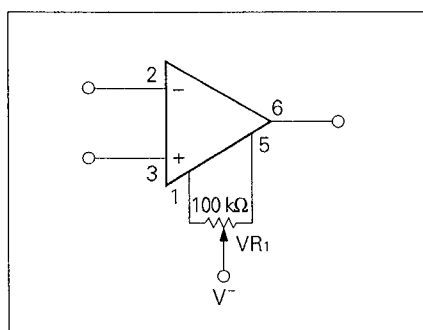
**Note 5.** Thermal derating factor is -4.4 mV / °C when ambient temperature is higher than 25 °C.

**Note 6.** Pay careful attention to the total power dissipation not to exceed the absolute maximum ratings, Note 4 and Note 5.

**RECOMMENDED OPERATING CONDITIONS**

CHARACTERISTIC	SYMBOL	MIN.	TYP.	MAX.	UNIT
Supply Voltage	V <sub>±</sub>	± 2		± 16	V
Output Current (SOURCE)	I <sub>O SOURCE</sub>			5	mA
Output Current (SINK)	I <sub>O SINK</sub>			3.5	mA
Capacitive Load (A <sub>v</sub> = +1)	CL			100	pF

**OFFSET VOLTAGE NULL CIRCUIT**



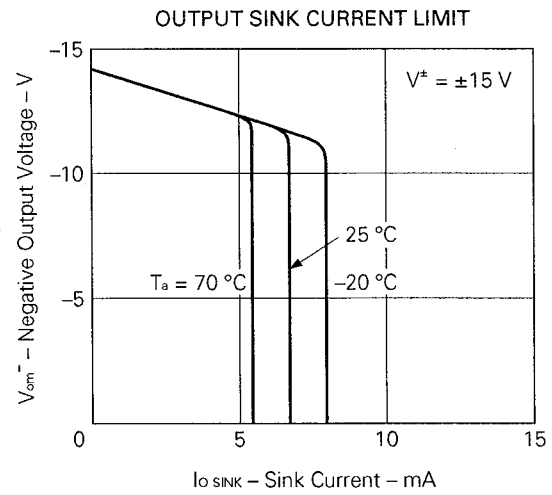
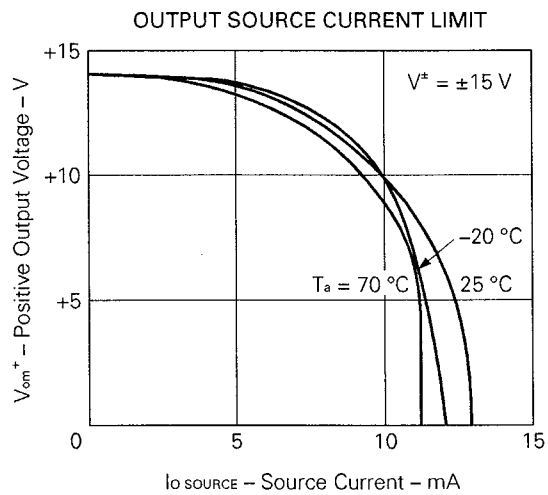
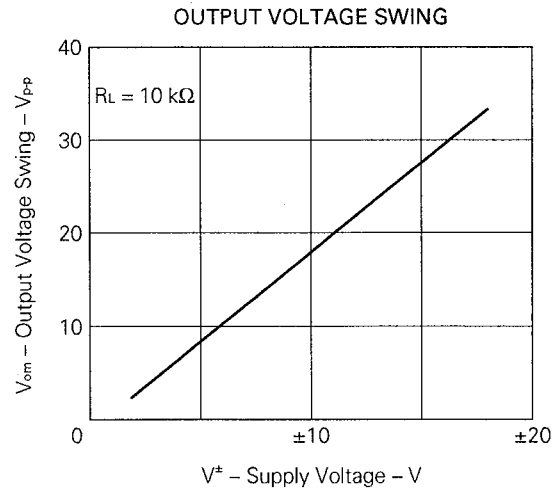
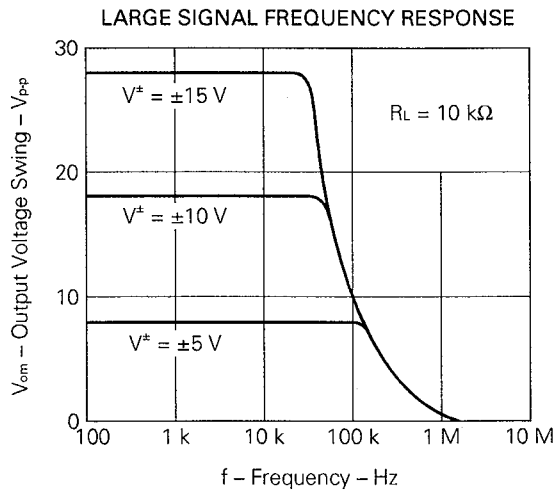
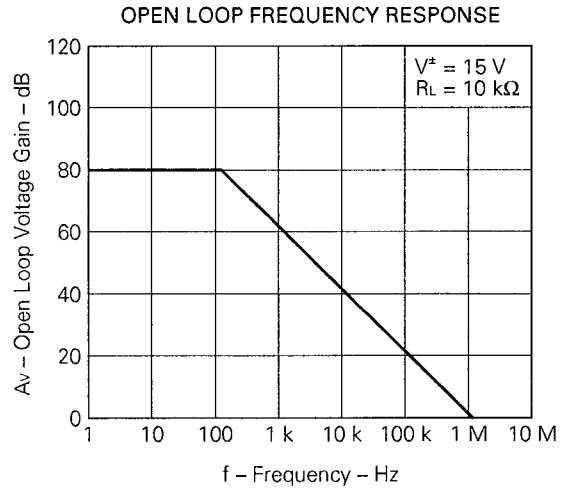
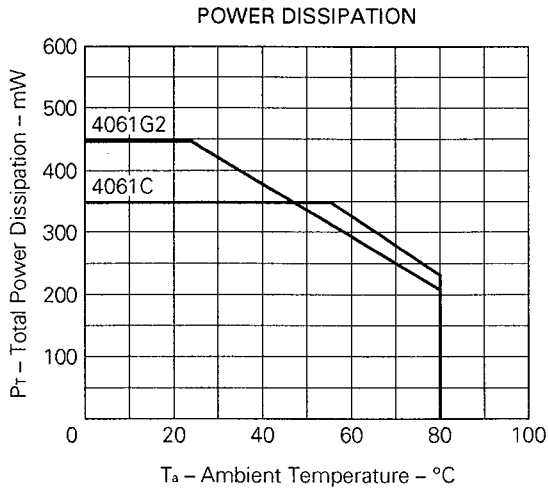
ELECTRICAL CHARACTERISTICS ( $T_a = 25\text{ }^\circ\text{C}$ ,  $V^\pm = \pm 15\text{ V}$ )

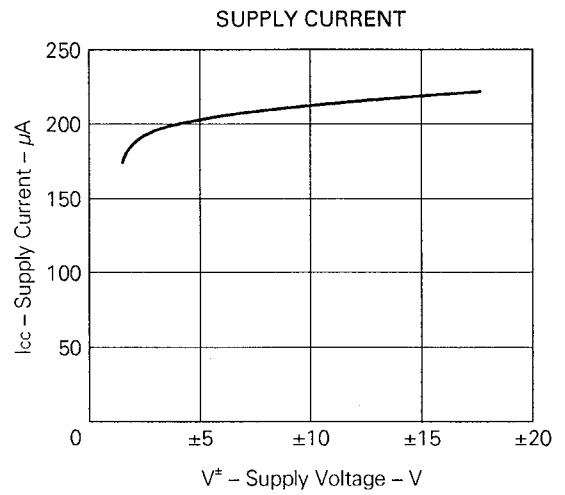
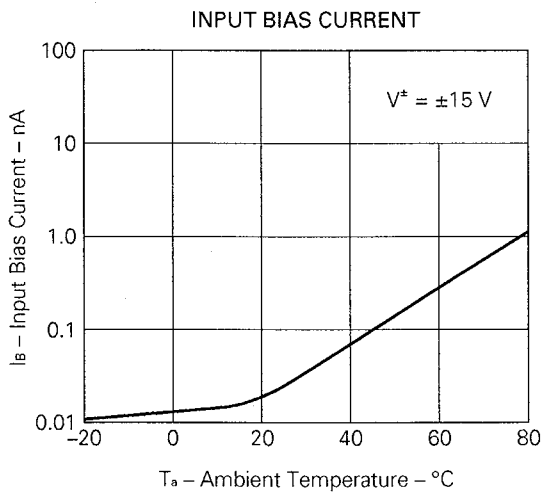
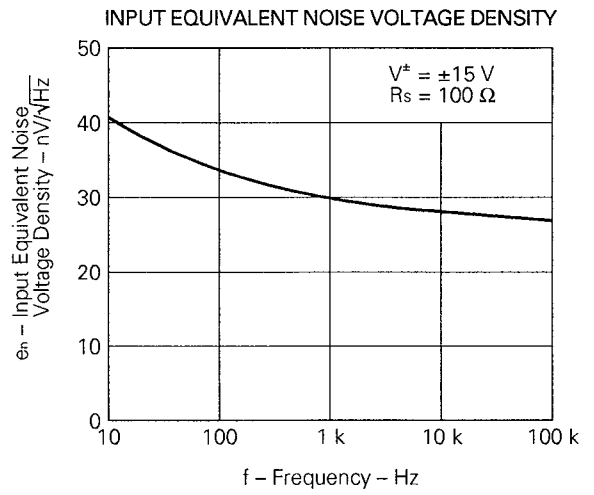
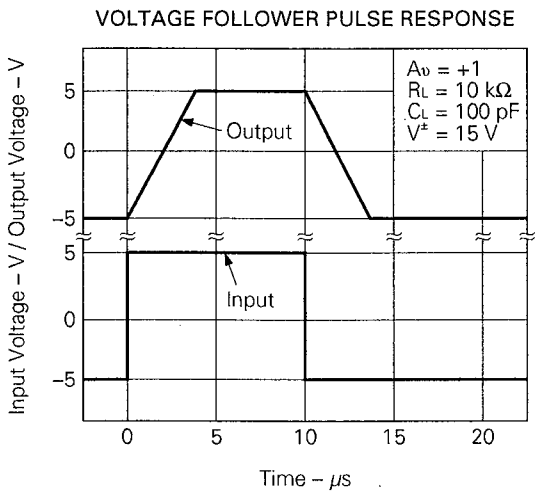
CHARACTERISTIC	SYMBOL	MIN.	TYP.	MAX.	UNIT	CONDITION
Input Offset Voltage	$V_{io}$		$\pm 2$	$\pm 10$	mV	$R_s \leq 50\ \Omega$
Input Offset Current (Note 7)	$I_{io}$		$\pm 5$	$\pm 50$	pA	
Input Bias Current (Note 7)	$I_B$		10	100	pA	
Large Signal Voltage Gain	$A_v$	3	9		V/mV	$R_L \geq 10\ \text{k}\Omega$ , $V_o = \pm 10\ \text{V}$
Supply Current	$I_{cc}$		220	250	$\mu\text{A}$	$I_o = 0\ \text{A}$
Common Mode Rejection Ratio	CMR	70	90		dB	
Supply Voltage Rejection Ratio	SVR	70	90		dB	
Output Voltage Swing	$V_{om}$	$\pm 12$	+14.0 -13.6		V	$R_L \geq 10\ \text{k}\Omega$
Common Model Input Voltage Range	$V_{icm}$	$\pm 12$	+15 -13		V	
Slew Rate	SR		3		V/ $\mu\text{s}$	$A_v = 1$
Unity Gain Frequency	$f_{unity}$		1		MHz	
Input Equivalent Noise Voltage Density	$e_n$		30		nV/ $\sqrt{\text{Hz}}$	$R_s = 100\ \Omega$ , $f = 1\ \text{kHz}$
Input Offset Voltage	$V_{io}$			$\pm 15$	mV	$R_s \leq 50\ \Omega$ , $T_a = -20\ \text{to}\ +70\ ^\circ\text{C}$
Average $V_{io}$ Temperature Drift	$\Delta V_{io}/\Delta T$		$\pm 10$		$\mu\text{V}/^\circ\text{C}$	$T_a = -20\ \text{to}\ +70\ ^\circ\text{C}$
Input Offset Current (Note 7)	$I_{io}$			$\pm 2$	nA	$T_a = -20\ \text{to}\ +70\ ^\circ\text{C}$
Input Bias Current (Note 7)	$I_B$			3.5	nA	$T_a = -20\ \text{to}\ +70\ ^\circ\text{C}$

**Note 7.** Input bias currents flow into IC. Because each currents are gate leak current of P-channel J-FET on input stage.

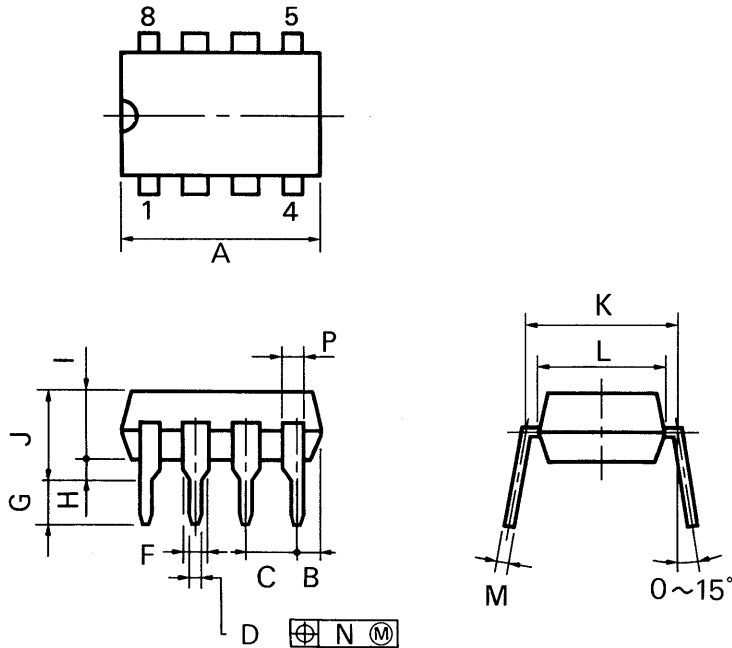
And that are temperature sensitive. Short time measuring method is recommendable to maintain the junction temperature close to the ambient temperature.

TYPICAL PERFORMANCE CHARACTERISTICS ( $T_a = 25^\circ\text{C}$ , TYP.)





8PIN PLASTIC DIP (300 mil)



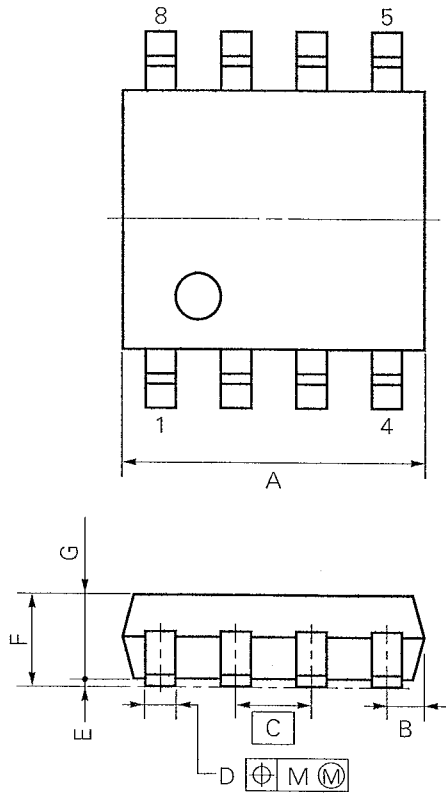
P8C-100-300B,C

NOTES

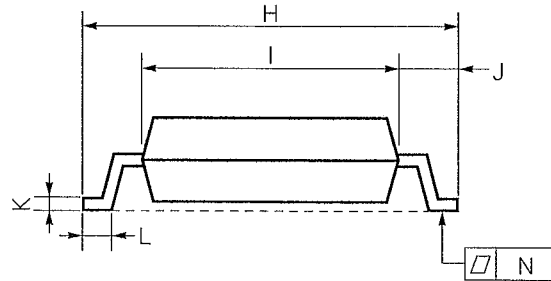
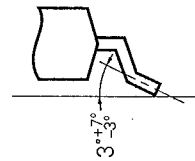
- 1) Each lead centerline is located within 0.25 mm (0.01 inch) of its true position (T.P.) at maximum material condition.
- 2) Item "K" to center of leads when formed parallel.

ITEM	MILLIMETERS	INCHES
A	10.16 MAX.	0.400 MAX.
B	1.27 MAX.	0.050 MAX.
C	2.54 (T.P.)	0.100 (T.P.)
D	0.50 <sup>+0.10</sup>	0.020 <sup>+0.004</sup> <sub>-0.005</sub>
F	1.4 MIN.	0.055 MIN.
G	3.2 <sup>±0.3</sup>	0.126 <sup>±0.012</sup>
H	0.51 MIN.	0.020 MIN.
I	4.31 MAX.	0.170 MAX.
J	5.08 MAX.	0.200 MAX.
K	7.62 (T.P.)	0.300 (T.P.)
L	6.4	0.252
M	0.25 <sup>+0.10</sup> <sub>-0.05</sub>	0.010 <sup>+0.004</sup> <sub>-0.003</sub>
N	0.25	0.01
P	0.9 MIN.	0.035 MIN.

8 PIN PLASTIC SOP (225 mil)



detail of lead end



**NOTE**

Each lead centerline is located within 0.12 mm (0.005 inch) of its true position (T.P.) at maximum material condition.

S8GM-50-225B-2

ITEM	MILLIMETERS	INCHES
A	5.37 MAX.	0.212 MAX.
B	0.78 MAX.	0.031 MAX.
C	1.27 (T.P.)	0.050 (T.P.)
D	0.40 <sup>+0.10</sup> <sub>-0.05</sub>	0.016 <sup>+0.004</sup> <sub>-0.003</sub>
E	0.1±0.1	0.004±0.004
F	1.8 MAX.	0.071MAX.
G	1.49	0.059
H	6.5±0.3	0.256±0.012
I	4.4	0.173
J	1.1	0.043
K	0.15 <sup>+0.10</sup> <sub>-0.05</sub>	0.006 <sup>+0.004</sup> <sub>-0.002</sub>
L	0.6±0.2	0.024 <sup>+0.008</sup> <sub>-0.009</sub>
M	0.12	0.005
N	0.15	0.006

**RECOMMENDED SOLDERING CONDITIONS**

The following conditions (see table below) must be met when soldering this product.  
Please consult with our sales offices in case other soldering process is used, or in case soldering is done under different conditions.

**TYPES OF SURFACE MOUNT DEVICE**

For more details, refer to our document "SEMICONDUCTOR DEVICE MOUNTING TECHNOLOGY MANUAL" (IEI-1207).

[ μPC4061G2 ]

Soldering method	Soldering conditions	Recommended condition symbol
Infrared ray reflow	Peak package's surface temperature: 230 °C or below, Reflow time: 30 seconds or below (210 °C or higher), Number of reflow process: 1, Exposure limit*: None	IR30-00-1
VPS	Peak package's surface temperature: 215 °C or below, Reflow time: 40 seconds or below (200 °C or higher), Number of reflow process: 1, Exposure limit*: None	VP15-00-1
Wave soldering	Solder temperature: 260 °C or below, Flow time: 10 seconds or below Number of flow process: 1, Exposure limit*: None	WS15-00-1
Partial heating method	Terminal temperature: 300 °C or below, Flow time: 10 seconds or below, Exposure limit*: None	

\*: Exposure limit before soldering after dry-pack package is opened.  
Storage conditions: 25 °C and relative humidity at 65 % or less.

**Note:** Do not apply more than a single process at once, except for "Partial heating method."

**TYPES OF THROUGH HOLE DEVICE**

[ μPC4061C ]

Soldering method	Soldering conditions	Recommended condition symbol
Wave soldering	Solder temperature: 260 °C or below, Flow time: 10 seconds or below	



[MEMO]

[MEMO]

No part of this document may be copied or reproduced in any form or by any means without the prior written consent of NEC Corporation. NEC Corporation assumes no responsibility for any errors which may appear in this document.

NEC Corporation does not assume any liability for infringement of patents, copyrights or other intellectual property rights of third parties by or arising from use of a device described herein or any other liability arising from use of such device. No license, either express, implied or otherwise, is granted under any patents, copyrights or other intellectual property rights of NEC Corporation or others.

The devices listed in this document are not suitable for use in aerospace equipment, submarine cables, nuclear reactor control systems and life support systems. If customers intend to use NEC devices for above applications or they intend to use "Standard" quality grade NEC devices for applications not intended by NEC, please contact our sales people in advance.

Application examples recommended by NEC Corporation.

Standard: Computer, Office equipment, Communication equipment, Test and Measurement equipment, Machine tools, Industrial robots, Audio and Visual equipment, Other consumer products, etc.

Special: Automotive and Transportation equipment, Traffic control systems, Antidisaster systems, Anticrime systems, etc.