

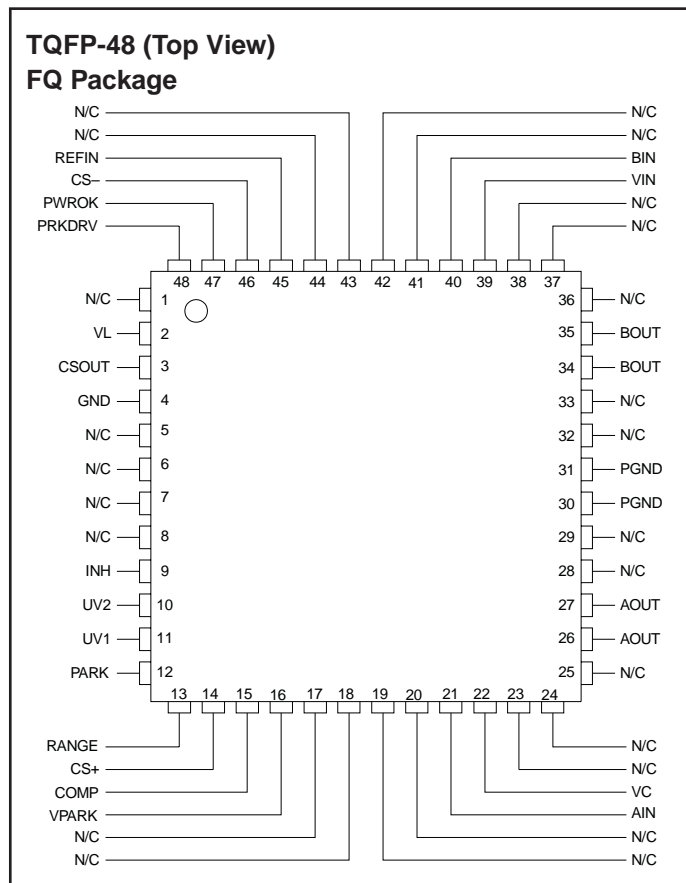


**ABSOLUTE MAXIMUM RATINGS (Note 1)**

Input Supply Voltage, (VIN, VC, VL)	20V
UV Comparator	
Maximum Forced Voltage	-0.3V to 10V
Maximum Forced Current	± 10mA
B Amplifier Inverting Input	-0.3V to VIN + 1.0
A Amplifier Inverting Inputs,	
(Aux. and Normal)	-0.3V to VC + 1.0V
Open Collector Output Voltages	20V
A and B Output Currents (Continuous)	
Source	Internally Limited
Sink	0.6A
Parking Drive Output Current	
Continuous	150mA
Pulsed	1A
Output Diode Current (Pulsed)	0.6A
Power OK Output Current (Continuous)	30mA
Operating Junction Temperature	-55°C to +150°C
Storage Temperature	-65°C to +150°C
Lead Temperature	+300°C

Note 1: Unless otherwise indicated, voltages are referenced to ground and currents are positive into, negative out of, the specified terminals, "Pulsed" is defined as a less than 10% duty cycle pulse with a maximum duration of 500µs.

**CONNECTION DIAGRAMS**

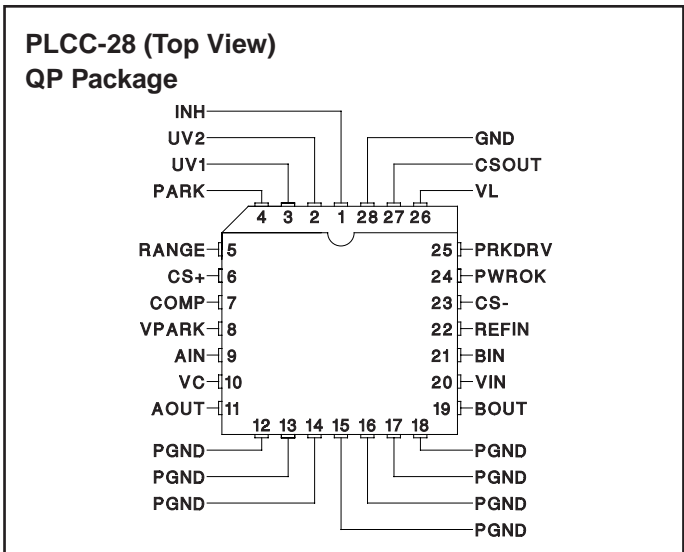
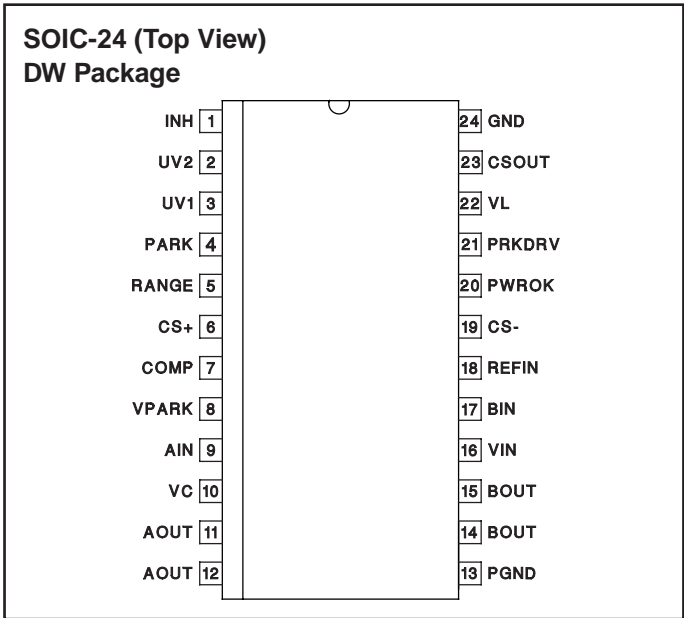


**THERMAL DATA**

DW Package:	
Thermal Resistance Junction to Leads, $\theta_{jl}$	35°C/W
Thermal Resistance Junction to Ambient, $\theta_{ja}$	60-70°C/W
FQ Package:	
Thermal Resistance Junction to Leads, $\theta_{jl}$	60°C/W
Thermal Resistance Junction to Ambient, $\theta_{ja}$	110-120°C/W
QP Package:	
Thermal Resistance Junction to Leads, $\theta_{jl}$	15°C/W
Thermal Resistance Junction to Ambient, $\theta_{ja}$	30-40°C/W

Note 2: The above numbers for  $\theta_{jl}$  are maximums for the limiting thermal resistance of the package in a standard mounting configuration. The  $\theta_{ja}$  numbers are meant to be guide lines for the thermal performance of the device/pc-board system. All of the above numbers assume no ambient airflow.

Note 3: Consult Packaging Section of Unitrode Integrated Circuits databook for thermal specifications and limitations of packages.



**ELECTRICAL CHARACTERISTICS:** Unless otherwise stated, these specifications apply for  $T_A = 0$  to  $+70^\circ\text{C}$ ,  $V_{IN} = 5\text{V}$ ,  $V_C = V_{IN} = V_L$ ,  $REFIN = V_{IN}/2$ ,  $RANGE, PARK, \text{ and } INH = 0\text{V}$ , and  $T_A = T_J$ .

PARAMETER	TEST CONDITIONS	MIN	TYP	MAX	UNITS
<b>Input Supply</b>					
VIN Supply Current			10	13	mA
VC Supply Current	$I_{OUT} = 0\text{A}$		1.2	2.0	mA
VL Supply Current			0.65	1.0	mA
Total Supply Current	Supplies = 5V, $I_{OUT} = 0\text{A}$		12	16	mA
	Supplies = 12V, $I_{OUT} = 0\text{A}$		13	18	mA
VL UVLO Threshold	Low to High		2.6	2.8	V
UVLO Threshold Hysteresis			300		mV
<b>Under Voltage (UV) Comparator</b>					
Input Bias Current	Max at Either UV Input		-0.25	-1.0	$\mu\text{A}$
UV Thresholds	Low to High, Other Input = 5V	1.28	1.3	1.32	V
UV Threshold Hysteresis		19	24	29	mV
PWROK Vsat	$I_{OUT} = 5\text{mA}$ , UV Input Low		0.15	0.45	V
PWROK Leakage	$V_{OUT} = 20\text{V}$			5	$\mu\text{A}$
<b>Power Amplifiers A and B</b>					
Input Offset Voltage	A Amplifier, $V_{CM} = 2.5\text{V}$			4	mV
	B Amplifier, $V_{CM} = 2.5\text{V}$			12	mV
Input Bias Current	$V_{CM} = 2.5\text{V}$ , Inverting Inputs Only		-150	-500	nA
Input Bias Current at Ref. Input	$(REFIN - CS+)/48\text{k}\Omega$ , $T_J = 25^\circ\text{C}$	15	21	27	$\mu\text{A/V}$
CMRR	$V_{CM} = 1\text{V}$ to $10\text{V}$ , Supplies = 12V	70	90		dB
PSRR	$V_{IN} = 4\text{V}$ to $15\text{V}$ , $V_{CM} = 1.5\text{V}$	70	90		dB
Large Signal Voltage Gain	Supplies = 12V, $V_{OUT} = 1\text{V}$ , $I_{OUT} = 300\text{mA}$ to $V_{OUT} = 11\text{V}$ , $I_{OUT} = -300\text{mA}$	3.0	15.0		V/mV
Gain Bandwidth Product	A Amplifier (Note 4)		2.0		MHz
	B Amplifier (Note 4)		1.0		MHz
Slew Rate	(Note 4)		1.0		V/ $\mu\text{s}$
High-Side Current Limit	Low Range Mode	0.6	0.8		A
	High Range Mode	1.1	1.6		A
Output Saturation Voltage	High-Side, $I_{OUT} = -100\text{mA}$ (Note 5)		0.7		V
	High-Side, $I_{OUT} = -300\text{mA}$ (Note 5)		0.8		V
	High-Side, $I_{OUT} = -550\text{mA}$ (Note 5)		0.95		V
	Low-Side, $I_{OUT} = 100\text{mA}$		0.2		V
	Low-Side, $I_{OUT} = 300\text{mA}$		0.25		V
	Low-Side, $I_{OUT} = 550\text{mA}$		0.35		V
	Total $V_{SAT}$ , $I_{OUT} = 100\text{mA}$		0.9	1.2	V
	Total $V_{SAT}$ , $I_{OUT} = 300\text{mA}$		1.05	1.4	V
Total $V_{SAT}$ , $I_{OUT} = 550\text{mA}$		1.3	1.7	V	
VC to VIN Headroom	Volts below $V_{IN}$ , delta High-Side, $V_{SAT} = 100\text{mV}$ , $I_{OUT} = -550\text{mA}$ (Note 5)	0.23	0.4		V
High-Side Diode, $V_F$	$I_D = 550\text{mA}$		1.0		V
Low-Side Diode, $V_F$	$I_D = 550\text{mA}$ , INH Activated, B Amplifier Only		1.0		V

**ELECTRICAL CHARACTERISTICS:** Unless otherwise stated, these specifications apply for  $T_A = 0$  to  $+70^\circ\text{C}$ ,  $V_{IN} = 5\text{V}$ ,  $V_C = V_{IN} = V_L$ ,  $REF_{IN} = V_{IN}/2$ ,  $RANGE$ ,  $PARK$ , and  $INH = 0\text{V}$ , and  $T_A = T_J$ .

PARAMETER	TEST CONDITIONS	MIN	TYP	MAX	UNITS
<b>Current Sense Amplifier</b>					
Input Offset Voltage	$V_{CM} = 2.5\text{V}$ , Low range mode			2.0	mV
	$V_{CM} = 2.5\text{V}$ , High range mode			4.0	mV
Input Offset Change with Common Mode Input	$V_{CM} = -1\text{V}$ to $13\text{V}$ , Supplies = $12\text{V}$ , Low Range Mode			2000	$\mu\text{V}/\text{V}$
	$V_{CM} = -1\text{V}$ to $13\text{V}$ , Supplies = $12\text{V}$ , High Range Mode			4000	$\mu\text{V}/\text{V}$
Voltage Gain	$V_{DIFF} = +1.0$ to $-1.0\text{V}$ , $V_{CM} = 2.5\text{V}$ , High Range Mode	0.485	0.50	0.515	V/V
	$V_{DIFF} = +1.0$ to $-1.0\text{V}$ , $V_{CM} = 2.5\text{V}$ , Low Range Mode	1.95	2.0	2.05	V/V
Saturation Voltage	Low-Side, $I_{OUT} = 1\text{mA}$		0.1	0.3	V
	High-Side, $I_{OUT} = -1\text{mA}$ , Referenced to $V_{IN}$		0.1	0.3	V
<b>Parking Function</b>					
Park Input Threshold Voltage		0.6	1.1	1.7	V
Park Input Threshold Current	Internal Pull-Up, $V_{IN} = 0.6\text{V}$		50	75	$\mu\text{A}$
Park Drive Saturation Voltage	$I_{OUT} = 50\text{mA}$		0.15	0.35	V
Park Drive Leakage	$V_{OUT} = 20\text{V}$			50	$\mu\text{A}$
Regulating Voltage at Park Volts Input		1.275	1.30	1.325	V
Amplifier A Auxiliary Input Bias Current			-300	-750	nA
Amplifier A Parking High-Side Saturation Voltage	$I_{OUT} = -50\text{mA}$ , $V_{IN} = 0\text{V}$ , $V_C = V_L = 5\text{V}$ , $PARK$ Open, $V_C$ to $V_{OUT}$		0.8	0.95	V
Minimum Parking Supply	At $V_C$ and $V_L$ , $V_{IN} = 0\text{V}$ , A Amplifier Out - $V_{SAT} PRKDRV > 0.5\text{V}$ , $I_{PARK} = 50\text{mA}$		1.4	1.7	V
Minimum Supply for Parking Drive and Power OK Operation	At $V_L$ , $V_C = V_{IN} = 0\text{V}$ , $V_{SAT} < 0.5\text{V}$ , $I_{OUT} PRKDRV = 50\text{mA}$ , $R_I = 30\Omega$ to $2\text{V}$		1.1	1.4	V
	$I_{OUT} PWROK = 5\text{mA}$ , $R_I = 300\Omega$ to $2\text{V}$		1.2	1.6	V
$V_L$ Parking Supply Current	$PARK$ Open, $V_L = 5\text{V}$ , $V_C = 1.6\text{V}$ , $V_{IN} = 0\text{V}$ , $PWROK I_{OUT} = 5\text{mA}$ , $PRKDRV I_{OUT} = 50\text{mA}$		1.6	3.0	mA
<b>Auxiliary Functions</b>					
Inhibit Input Threshold		0.6	1.1	1.7	V
Inhibit Input Current	$INH = 1.7\text{V}$		-0.5	-1.0	$\mu\text{A}$
Range Input Threshold		0.6	1.1	1.7	V
Range Input Current	$RANGE = 1.7\text{V}$		50	100	$\mu\text{A}$
Comp Adjust Pin Saturation Voltage	$RANGE = 0\text{V}$ , Pin Current = $\pm 500\mu\text{A}$ , Referenced to $A_{OUT}$		0.02	0.1	V
Comp Adjust Leakage Current	$RANGE = 1.7\text{V}$ , Supplies = $12\text{V}$ , $A_{OUT} - V_{COMP} = \pm 6\text{V}$			5	$\mu\text{A}$
Total Supply Current when Inhibited	$V_{IN}$ , $V_C$ , and $V_L$ currents		1.0	1.5	mA
Thermal Shutdown Temperature	(Note 4)		165		$^\circ\text{C}$

Note 4: Guaranteed by design. Not 100% tested in production.

Note 5: The high-side saturation performance of the UC3173A is referenced to the  $V_{IN}$  supply pin.

The  $V_C$  supply pin can operate about 400mV below the  $V_{IN}$  supply input without affecting the performance.

## PIN DESCRIPTIONS

**AIN:** Inverting input to the A amplifier. Used as the summing node to close the loop on the overall power amplifier.

**AOUT:** Output for the A power amplifier, providing one end of the differential drive to the load during normal operation and during park. During a UVLO condition at the VIN supply pin, this output is forced to a high, source only state. When the UC3173A is inhibited, this output will be set high, in a source only state.

**BIN:** Inverting input to the B amplifier. Used to program the gain of the B amplifier to guarantee maximum voltage swing to the load.

**BOUT:** Output for the B power amplifier, providing one end of the differential drive to the load during normal operation. During park and while inhibited this pin is tristated.

**COMP:** The compensation adjust pin allows the user to provide an auxiliary compensation network for the A amplifier that is only active when the current sense amplifier is in the low range. With this option, the user can control the change in bandwidth that would otherwise result from the gain change in the feedback loop.

**CS-**: The inverting input to the current sense amplifier is typically tied to the load side of the series current sense resistor. This pin can be pulled below ground during an abrupt load current change with an inductive load. Proper operation of the current sense amplifier will result if this pin does not go below ground by an amount greater than:  $REFIN / 2 - 0.3V$ , in low range mode, and  $2 \bullet REFIN - 0.9V$ , in high range mode.

**CS+**: The noninverting input to the current sense amplifier is typically tied to the connection between the A amplifier output and the current sense resistor connected in series with the load.

**CSOUT:** The output of the current sense amplifier has a 1.5mA current source pull-up and an active NPN pull-down. The output will pull to within 0.3V of either rail with a load current of less than 1mA.

**GND:** Reference point for the internal reference, UV comparator, and other low level circuitry.

**INH:** A high impedance logic input that disables the A and B power amplifiers, as well as the Current Sense amplifier. The UV comparators and logic functions of the UC3173A remain active. This input has an internal pull-up that will inhibit the device if the input is left open. The Inhibit function is overridden by any condition that forces the Park function to be activated.

**PARK:** Input that forces the park condition on the UC3173A. This input has an internal pull-up that will force the park condition if the pin is left open.

**PGND:** Current return for all high level circuitry, this pin should be connected to the same potential as GND.

**PRKDRV:** A 100mA drive output that is active low during a park operation. This pin is normally used to supply the lowside drive to the load during parking, in place of the B amplifier. A series resistor can be added between this pin and the load to limit current during park.

**PWROK:** Indicates with an active low condition that either of the UV inputs are low, or that the supply voltage at the VL input to the UC3173A has dropped below the UVLO threshold. This output will remain active low until the VL supply has dropped to below approximately 1.2V.

**RANGE:** When this pin is open or at a logic low potential, the current sense amplifier will be in its low range mode. In this mode the voltage gain of the amplifier will be 2. If this pin is brought to a logic high, the gain of the current sense amplifier will change into its high range value of 0.5. This factor of four change in gain will vary the overall transconductance of the power amplifier by the same ratio, with the transconductance being the highest in the high mode. This feature allows improved dynamic range of load current control for a given control input range and resolution.

**REFIN:** Reference for input control signals to the power amplifier, as well as, the noninverting inputs to the A and B amplifiers, and the output level shift for the CS amplifier.

**VC:** High current supply to the collectors of the high side NPN output devices on the A and B amplifiers. This supply should be powered whenever the A or B amplifiers are activated. This pin can operate approximately 400mV below the VIN supply without affecting the voltage available to the load. This supply pin provides drive to the power amplifiers during a parking operation.

**VIN:** Provides bias supply to both the power amplifiers and the current sense amplifiers. The high-side drive to the power stages on both the A and B amplifiers is referenced to this pin. The high side saturation voltages are specified and measured with respect to this supply pin. The parking function of the device is fully operational independent of the voltage at this pin.

**PIN DESCRIPTIONS (cont.)**

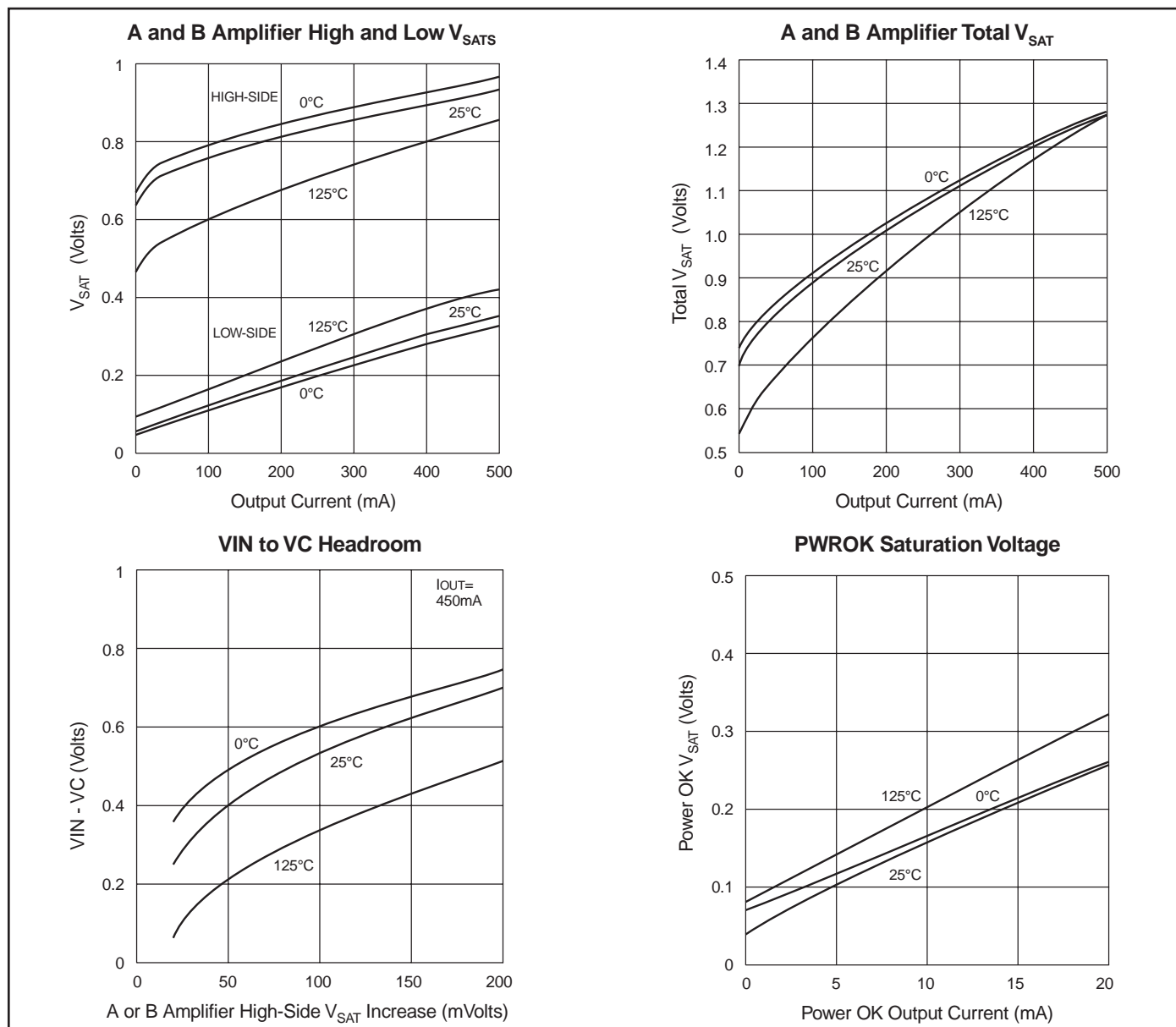
**VL:** Logic portions of the UC3173A are powered by this supply pin, including the reference, UVLO, the UV comparators, and the PRKDRV and PWROK outputs. This pin is a low current supply that would normally be tied to the VC pin, or to a parking hold up capacitor for extended parking operation with very low recovered back emf.

**VPARK:** The auxiliary inverting input to the A amplifier, activated during park conditions on the UC3173A. An internal auxiliary non-inverting input is connected to the 1.3V reference. When the auxiliary inputs are activated, the A amplifier will force a programmed voltage at its output for a maximum back-emf/velocity retract of the head. The park condition on the UC3173A is always activated

by any one of the following four conditions, 1: a low condition on either of the UV inputs, 2: a high input level at the Park input, 3: a UVLO condition at the VL supply pin, and 4: activation of the TSD, (thermal shutdown) protection circuit. During a UVLO condition at the VL pin the auxiliary inputs to the A amplifier are over-ridden, and the A amplifier output is forced to its high state.

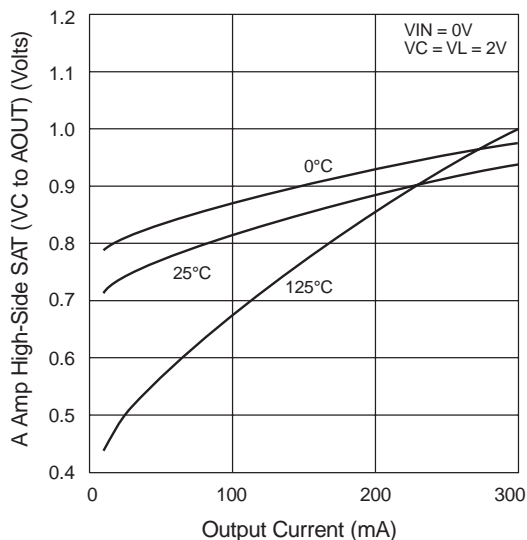
**UV1 & 2:** Inputs to the UV comparator, these inputs are high impedance sensing points used to monitor external supply conditions. Either of the inputs going low will force the device into a park condition, and force the PWROK output to an active low state. If either of these inputs is not used it should be connected to a voltage greater than 1.3V.

**APPLICATION INFORMATION**

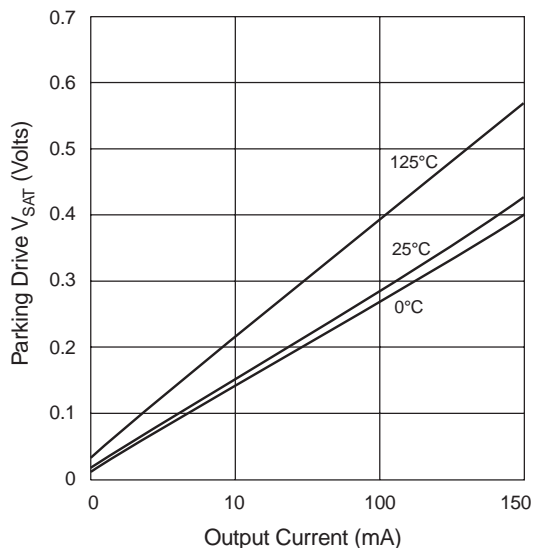


APPLICATION INFORMATION (cont.)

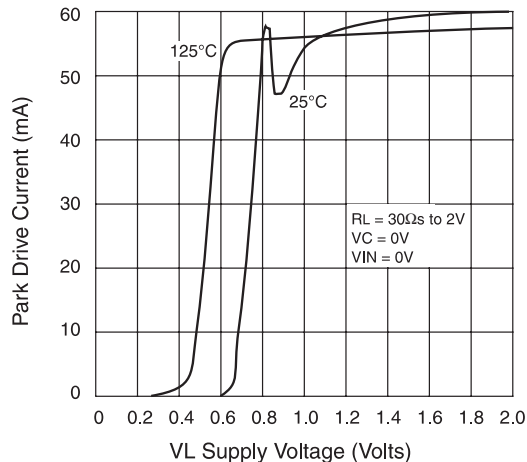
**A Amp High-Side  $V_{SAT}$  in Park Mode**



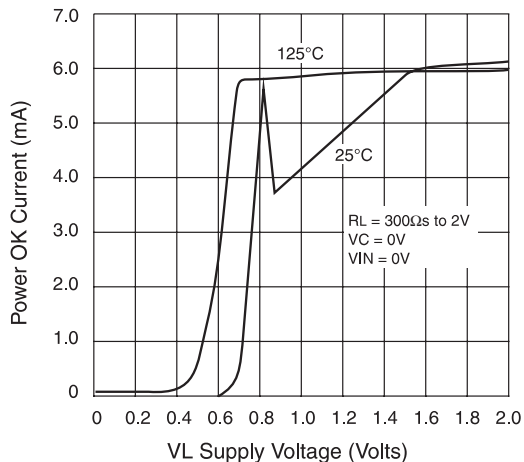
**PRKDRV Saturation Voltage**



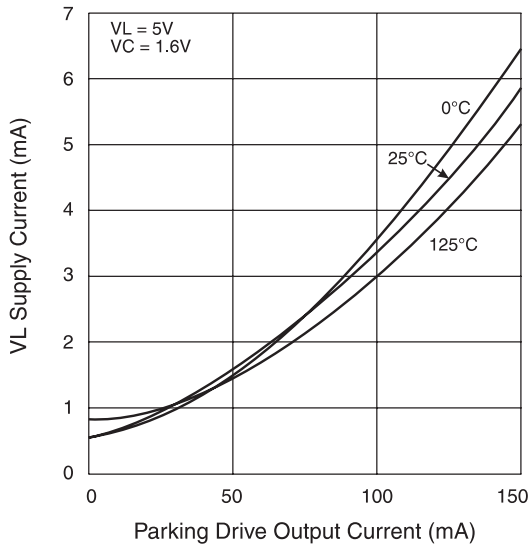
**PRKDRV Current vs. VL Supply**



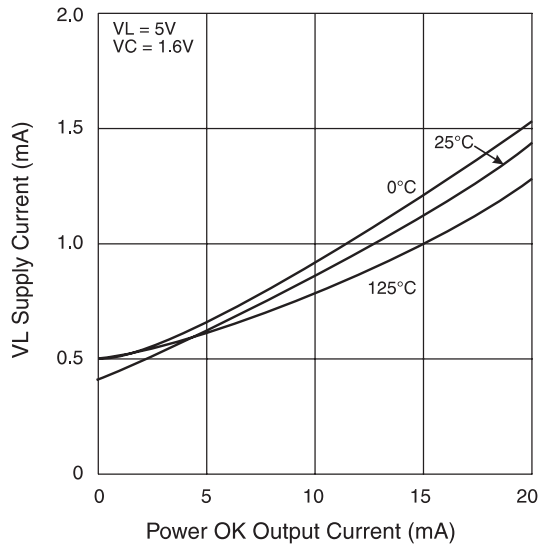
**PWROK vs. VL Supply**



**VL Current vs. PRKDRV Current**



**VL Current vs. PWROK Current**



## APPLICATION INFORMATION (cont.)

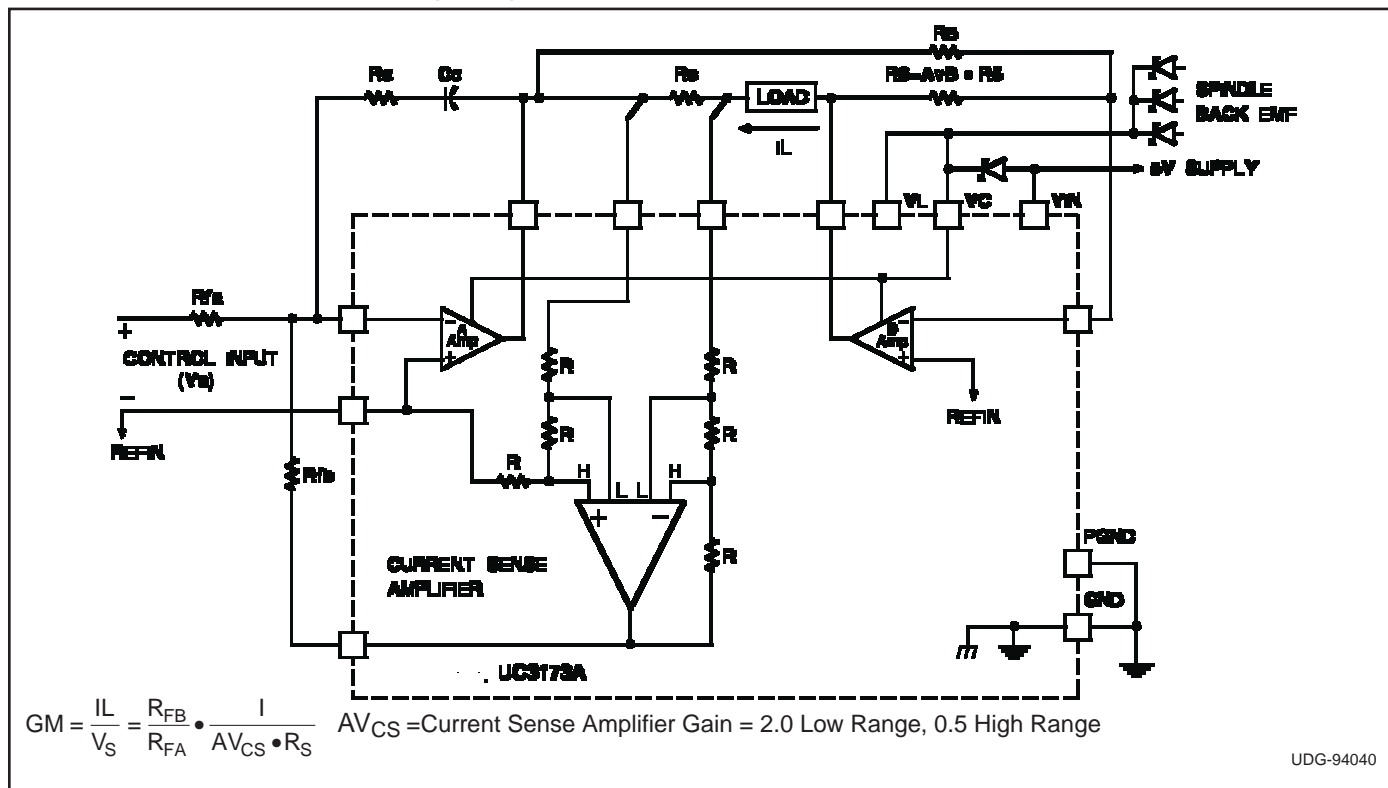


Figure 1. Typical application.

## Design Procedure for Application of the UC3173A

The following is a simple design flow that can be used to configure the UC3173A Full Bridge Power Amplifiers as shown in Fig. 1.

## Definitions:

- $f_{3DB}$  = the closed loop 3dB bandwidth
- $A_{VB}$  = B amplifier closed loop gain, =  $R_6/R_5$
- $A_{VCS}$  = current sense amplifier gain, = 0.5 in high range, and 2.0 in low range
- $f_{GBWA}$  = gain bandwidth product of the A amplifier
- $G_{mHR}$  = closed loop transconductance in high rangemode
- $G_{mLR}$  = closed loop transconductance in low range mode
- L = load inductance
- $R_L$  = load resistance

## A. Current Sense Resistor

Choose  $R_S$  to be as large as head room will tolerate, this is the series current sense resistor.

## B. Select Feedback Resistance

Choose a value of  $R_{FB}$  to be less than the peak current sense amplifier swing divided by 1mA. A value in the range of 3k to 10k is suggested.

## C. Set Transconductance

Calculate  $R_{FA}$  according to:

$$R_{FA} = \frac{R_{FB}}{0.5 \cdot R_S \cdot G_{mHR}} \quad (1)$$

If the range change option is not going to be used, it is recommended that the device be set in the low range mode and  $R_{FA}$  be calculated by:

$$R_{FA} = \frac{R_{FB}}{2 \cdot R_S \cdot G_{mLR}} \quad (2)$$

## D. Optimize Voltage Swing

In order to assure that maximum voltage drive to the load is achievable, there are some precautions that should be taken. In a standard configuration, the B amplifier is slaved to the A amplifier. The bias point of the and the gain of the B amplifier, as well as the saturation voltages of the power output stages, will affect the voltage available to the load.

There are two simple procedures to follow, either will insure that the capabilities of the device are fully utilized. The first is to set the REF<sub>IN</sub> voltage at the center of the available voltage swing at the output of the power amplifiers. This optimum reference is defined by equation (3)



**APPLICATION INFORMATION (cont.)**

$$V_{REFIN} \text{ (optimum)} = \frac{V_{IN} - V_{HS(SAT)} + V_{LS(SAT)}}{2} \quad (3)$$

Where:  $V_{HS(SAT)}$  = high-side  $V_{SAT}$  at maximum load  
 $V_{LS(SAT)}$  = low-side  $V_{SAT}$  at maximum load.

A second approach is to raise the gain of the B amplifier to insure maximum swing. For a given  $V_{REFIN}$  voltage the gain of the B amplifier, set by the ratio of the feedback resistors, can be made greater than unity as given by:

$$A_{VB} = \frac{V_{IN} - V_{HS(SAT)} - V_{REF}}{V_{REFIN} - V_{LS(SAT)}} \text{ or,} \quad (4)$$

$$\frac{V_{REFIN} - V_{LS(SAT)}}{V_{IN} - V_{HS(SAT)} - V_{REF}}$$

whichever is greater than unity.

For a typical case, where  $V_{REFIN}$  has been set at  $V_{IN}/2$ , the required gain for a 5 volt system will be about 1.5, and for a 12 volt system, 1.2.

It is worth noting that when using this method the B amplifier will saturate before the A amplifier on one polarity of the voltage swing. During the time when the B amplifier is saturated and the A amplifier is not, the small signal bandwidth of the loop will be reduced by a factor of  $(A_{VB} + 1)$ .

**E. Loop Compensation**

The normal configuration for compensation of the power amplifier is shown in Fig. 1. A simple  $R_C$  network,  $R_C C_C$ , around the A amplifier is all that is required. The value of the  $R_C C_C$  time constant is typically chosen to correspond to the electrical time constant of the load, given by  $R_L/L$ .

The bandwidth of the closed loop amplifier can be set by choosing the value of  $R_C$ . Calculate  $R_C$  according to:

$$R_C = \frac{2\pi L \cdot f_{3dB} \cdot R_{FB}}{(1 + A_{VB})A_{VCS} \cdot R_S} \quad (5)$$

Use  $A_{VCS} = 0.5$  if range changing is to be used, and  $A_{VCS} = 2.0$  if only the low range mode of operation is to be used.

The compensation zero is typically set to coincide with the L/R time constant of the Load.  $C_C$  can then be calculated by:

$$C_C = \frac{L}{R_C(R_S + R_L)} \quad (6)$$

In the closed loop transconductance amplifier, the A am-

plifier operates at the highest noise gain. Noise gain is a measure of the feedback ratio at which the amplifier is operating. For the configuration of the A amplifier in Fig. 1, the noise gain is given by the impedance ratio of the  $R_C$ - $C_C$  series network, to the parallel combination of  $R_{FA}$  and  $R_{FB}$ . For the A amplifier to operate at its expected closed loop gain, the noise gain at any frequency must not exceed its Gain Bandwidth Product (GBW) divided by that frequency. Applying this to the expression above will yield a result for the maximum 3dB bandwidth that can be achieved for a given configuration.

$$f_{3dB(MAX)} = \quad (7)$$

$$\left( \frac{f_{GBW} A \cdot (1 + A_{VB}) \cdot A_{VCS} \cdot R_S \cdot R_{FA}}{2\pi L \cdot (R_{FA} + R_{FB})} \right) \frac{1}{2}$$

Where:  $f_{GBWA}$  is the GBW of the A amplifier.

In the UC3173A, to accommodate wider power amplifier bandwidths, the GBW Product of the A amplifier has been extended to 2MHz. Care should be taken that the A amplifier gain bandwidth product is not limiting the closed loop performance of the configured power amplifier. This is easily checked by making sure that  $R_C$  is less than a critical value,  $R_{C(MAX)}$ , as given by:

$$R_{C(MAX)} = R_{FB} \left( \frac{f_{GBW} A \cdot 2\pi L \cdot R_{FA}}{(A_{VB} + 1) \cdot A_{VCS} \cdot R_S (R_{FA} + R_{FB})} \right) \frac{1}{2} \quad (8)$$

Again, use  $A_{VCS} = 0.5$  if range changing is used, and  $A_{VCS} = 2.0$  if only the low range mode of operation is used.

**F. Using The Comp Pin**

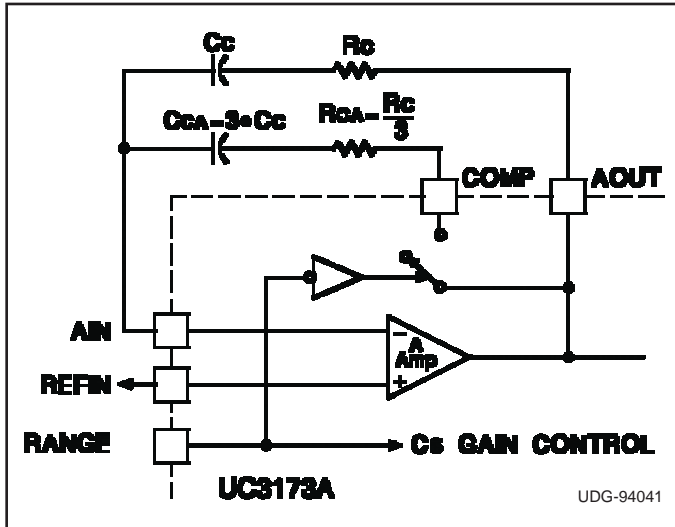
When the range change feature of the UC3173A is used, the closed loop bandwidth of the power amplifier will change according to (7). In other words, the bandwidth would be four times larger during the low range mode when  $A_{VCS}$  is equal to 2, than during the high range mode when  $A_{VCS}$  is equal to 0.5, unless the value of  $R_C$  is adjusted to compensate.

The COMP pin on the UC3173A can be used to do this. The COMP pin acts as a simple switch that allows a parallel compensation network to be applied around the A amplifier during low range operation. A simple network as shown here will keep the loop response constant independent of the range condition.

To maintain the same 3dB bandwidth in both the high and low range modes set  $R_{CA}$  and  $C_{CA}$  as:

$$R_{CA} = \frac{R_C}{3}, \quad C_{CA} = 3C_C \quad (9)$$

## APPLICATION INFORMATION (cont.)



The COMP pin switches in a parallel compensation network to stabilize the small signal bandwidth with range changes.

#### Head Parking

In Fig. 2, the UC3173A is shown configured to force a programmed voltage at the A amplifier output upon the activation of a park condition. A pair of feedback resistors R1 and R2 set this voltage as defined by:

$$R1 = R2 \left( \frac{VPARK}{1.3} - 1 \right) \quad (10)$$

R2 is typically chosen in the range of 10kΩ to 100kΩ.

The B amplifier output is tri-stated during park, this side of the load is driven low by the PRKDRV pin. A series resistor, RP in the figure, can be inserted in series with the load to limit the peak current if required.

The UV thresholds for the supply monitors are set by picking R4 and R6 values in the 10kΩ to 100kΩ range and then calculating R3 and R5 according to:

$$R3 = R4 \left( \frac{UV1}{1.3} - 1 \right), \text{ and } R5 = R6 \left( \frac{UV2}{1.3} - 1 \right) \quad (11)$$

During park, supply to the load, and the UC3173A, is typically recovered from the back EMF of the spindle motor. When the supply voltage at the VL supply pin drops below the UVLO voltage, (2.3V high-to-low), the output of the A amplifier is forced high, over-riding the programmed park voltage. The UC3173A will maintain drive to the load down to low supply levels. For example, with 1.5 volts of recovered back EMF, the UC3173A can still deliver 50mA of drive to a 10Ω load.

#### Parking With Very Low Back EMF

The UC3173A can also be configured to get parking drive to the load with very low recovered back EMF. Fig. 3 illustrates how the PWROK pin can be used to drive an external PNP device to achieve very low parking drive  $V_{SAT}$  losses. With this configuration, the UC3173A will be able to force approximately one volt across the load with a recovered back EMF voltage of 1.3V.

During system commanded parking with the supplies present, the VPARK pin is still used to set the maximum voltage to the load. The logic function of the PWROK pin is still available since the external PNP will provide isolation to this output when it is high.

Base drive to the PRKDRV and PWROK pins are provided by the VL supply pin. By using a hold up capacitor,  $C_{HOLD}$ , the drive can be maintained to the load as the back EMF drops to below 1V. A variation on this approach is to add a connection between the VL pin and the recovered back EMF, this will eliminate the need for the holdup capacitor and provide operation down to about 1.2V of back EMF recovery. Care with this approach should be taken in case the 5V supply hangs at just below the programmed UV threshold. In this situation large currents could flow from this supply through the external PNP and into the A output which, until the supply drops below a certain level, is forcing a programmed voltage.

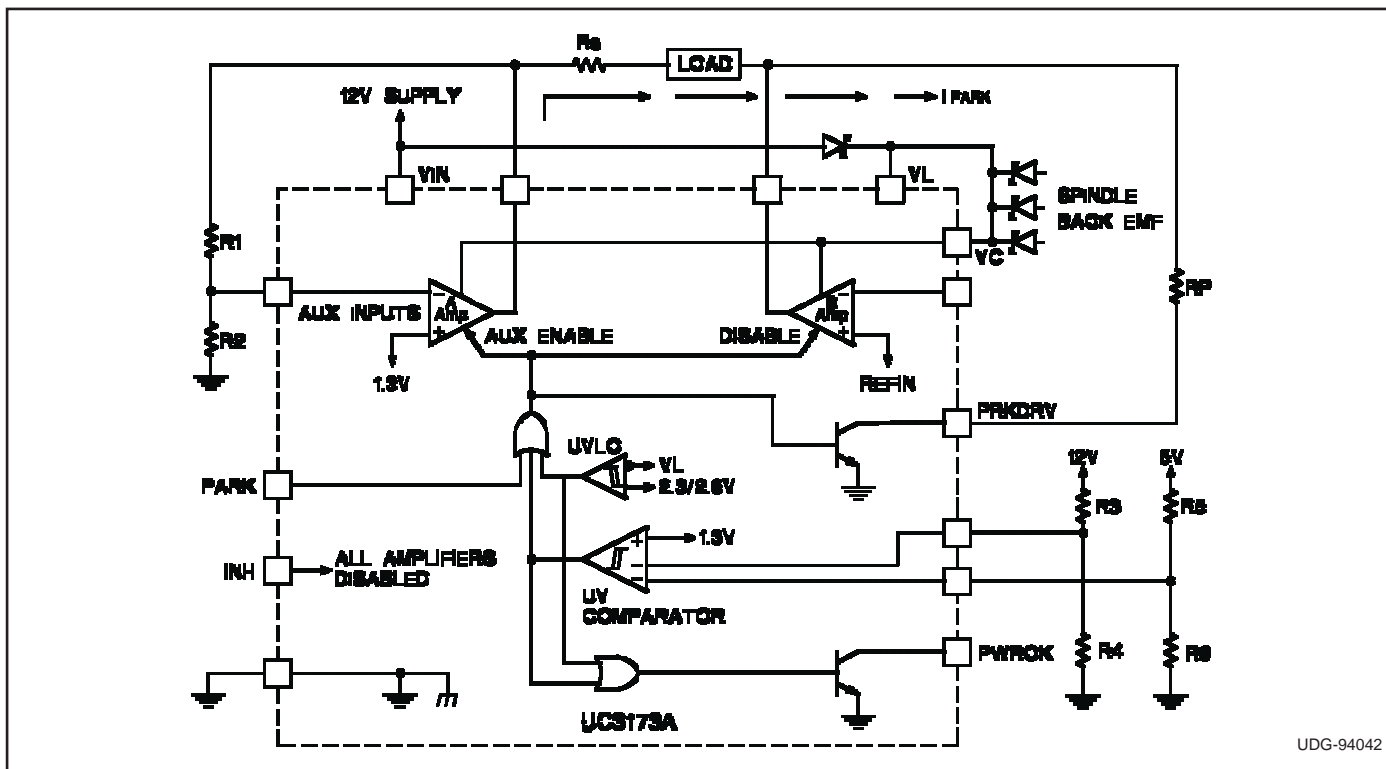


Figure 2. Controlled velocity head parking.

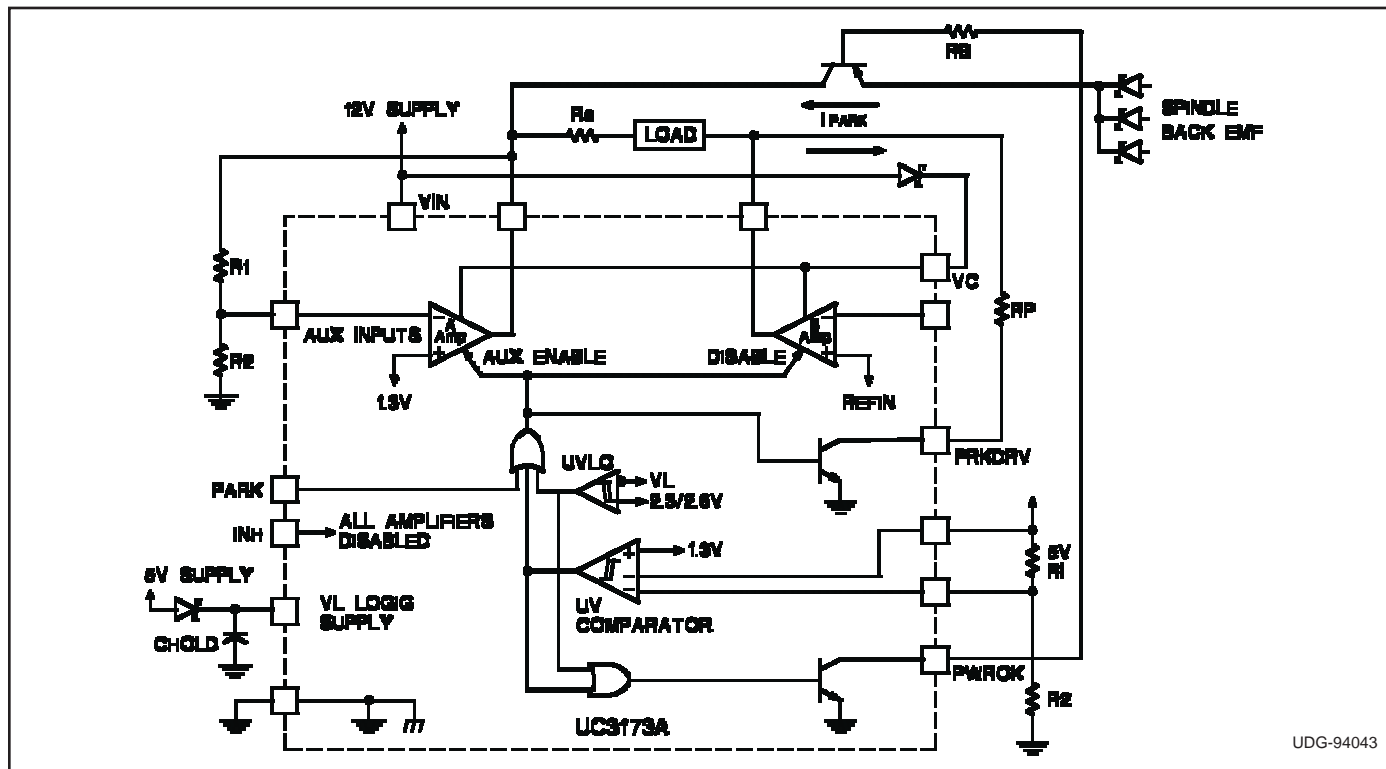


Figure 3. Head parking with low back EMF.

## **IMPORTANT NOTICE**

Texas Instruments and its subsidiaries (TI) reserve the right to make changes to their products or to discontinue any product or service without notice, and advise customers to obtain the latest version of relevant information to verify, before placing orders, that information being relied on is current and complete. All products are sold subject to the terms and conditions of sale supplied at the time of order acknowledgement, including those pertaining to warranty, patent infringement, and limitation of liability.

TI warrants performance of its semiconductor products to the specifications applicable at the time of sale in accordance with TI's standard warranty. Testing and other quality control techniques are utilized to the extent TI deems necessary to support this warranty. Specific testing of all parameters of each device is not necessarily performed, except those mandated by government requirements.

**CERTAIN APPLICATIONS USING SEMICONDUCTOR PRODUCTS MAY INVOLVE POTENTIAL RISKS OF DEATH, PERSONAL INJURY, OR SEVERE PROPERTY OR ENVIRONMENTAL DAMAGE ("CRITICAL APPLICATIONS"). TI SEMICONDUCTOR PRODUCTS ARE NOT DESIGNED, AUTHORIZED, OR WARRANTED TO BE SUITABLE FOR USE IN LIFE-SUPPORT DEVICES OR SYSTEMS OR OTHER CRITICAL APPLICATIONS. INCLUSION OF TI PRODUCTS IN SUCH APPLICATIONS IS UNDERSTOOD TO BE FULLY AT THE CUSTOMER'S RISK.**

In order to minimize risks associated with the customer's applications, adequate design and operating safeguards must be provided by the customer to minimize inherent or procedural hazards.

TI assumes no liability for applications assistance or customer product design. TI does not warrant or represent that any license, either express or implied, is granted under any patent right, copyright, mask work right, or other intellectual property right of TI covering or relating to any combination, machine, or process in which such semiconductor products or services might be or are used. TI's publication of information regarding any third party's products or services does not constitute TI's approval, warranty or endorsement thereof.