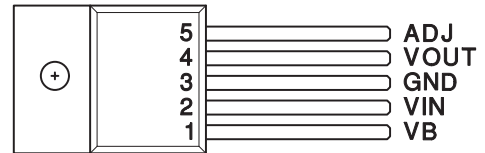


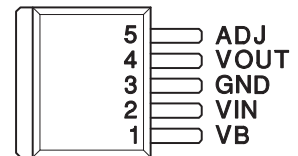


- Fast Transient Response
- 10-mA to 3-A Load Current
- Short Circuit Protection
- Maximum Dropout of 450-mV at 3-A Load Current
- Separate Bias and VIN Pins
- Available in Adjustable or Fixed-Output Voltages
- 5-Pin Package Allows Kelvin Sensing of Load Voltage
- Reverse Current Protection

5-PIN TO-220
T PACKAGE (TOP VIEW)



5-PIN TO-263
TD PACKAGE
(TOP VIEW)



Note: Tab = Ground

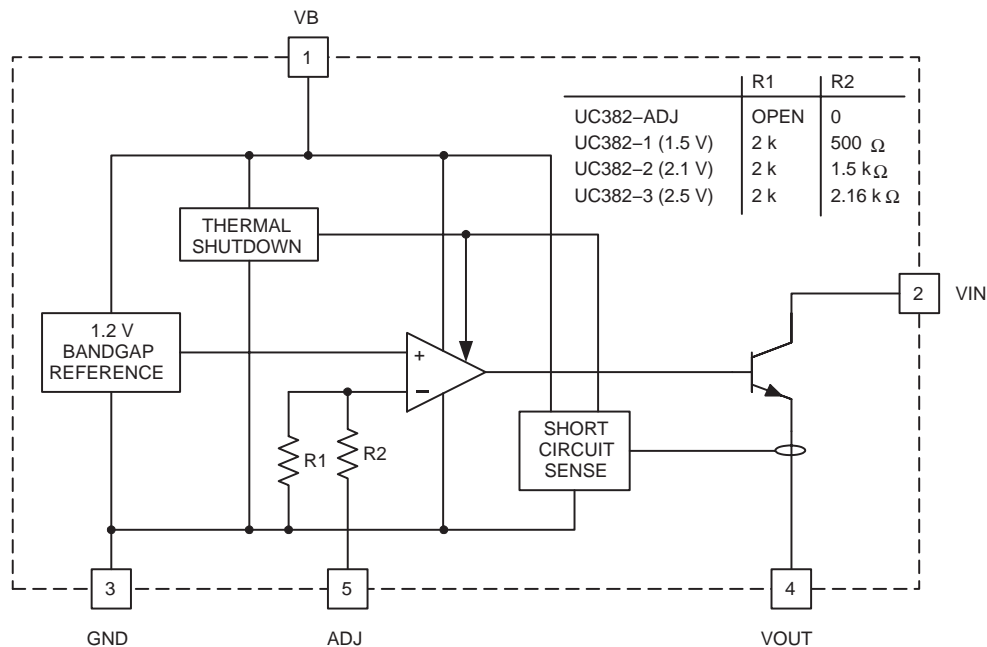
description

The UC382 is a low-dropout-linear regulator providing a quick response to fast load changes. Combined with its precision onboard reference, the UC382 excels at driving GTL and BTL buses. Due to its fast response to load transients, the total capacitance required to decouple the regulator's output can be significantly decreased when compared to standard LDO linear regulators.

Dropout voltage (VIN to VOUT) is only 450 mV maximum at 100°C and 350 mV typical at 3-A load.

The onboard bandgap reference is stable with temperature and scaled for a 1.2-V input to the internal-power amplifier. The UC382 is available in fixed-output voltages of 1.5 V, 2.1 V, or 2.5 V. The output voltage of the adjustable version can be set with two external resistors. If the external resistors are omitted, the output voltage defaults to 1.2 V.

block diagram



UDG-00080



Please be aware that an important notice concerning availability, standard warranty, and use in critical applications of Texas Instruments semiconductor products and disclaimers thereto appears at the end of this data sheet.

All trademarks are the property of their respective owners.

PRODUCTION DATA information is current as of publication date. Products conform to specifications per the terms of Texas Instruments standard warranty. Production processing does not necessarily include testing of all parameters.



Copyright © 2000–2004, Texas Instruments Incorporated

UC282-1, UC282-2, UC282-3, UC282-ADJ, UC382-1, UC382-2, UC382-3, UC382-ADJ FAST LDO LINEAR REGULATOR

SLUS317B – JANUARY 2000 – REVISED FEBRUARY 2004

absolute maximum ratings over operating free-air temperature (unless otherwise noted)^{†‡}

VB	13 V
VIN	7.5 V
Output voltage	1.2 V to 6.0 V
Storage temperature, T _{stg}	-65°C to 150°C
Junction temperature, T _J	-55°C to 150°C
Lead temperature (soldering, 10 seconds)	300°C

[†] Stresses beyond those listed under “absolute maximum ratings” may cause permanent damage to the device. These are stress ratings only, and functional operation of the device at these or any other conditions beyond those indicated under “recommended operating conditions” is not implied. Exposure to absolute-maximum-rated conditions for extended periods may affect device reliability.

[‡] Currents are positive into, negative out of the specified terminal. Consult Packaging Section of Databook for thermal limitations and considerations of packages.

AVAILABLE OPTIONS⁽¹⁾

T _J	PACKAGED DEVICES							
	TO-220 (T)				TO-263 (TD) ⁽²⁾			
	OUTPUT VOLTAGE				OUTPUT VOLTAGE			
	1.5 V	2.1 V	2.5 V	1.2 V or ADJ	1.5 V	2.1 V	2.5 V	1.2 V or ADJ
-40°C to 100°C	282T-1	282T-2	282T-3	282T-ADJ	282TD-1	282TD-2	282TD-3	282TD-ADJ
0°C to 100°C	382T-1	382T-2	382T-3	382T-ADJ	382TD-1	382TD-2	382TD-3	382TD-ADJ

- For more package and ordering information, see the Package Option Addendum located at the end of this data sheet.
- For 50 piece reel, add KTTT (e.g., UC282TDKTTT-1); for 500 piece reel, add TR (e.g., UC282TDTR-1).

electrical characteristics, T_A = -40°C to 100°C for the UC282-X series and 0°C to 100°C for the UC382-X, V_B = 5 V, V_{IN} = 3.3 V, V_{OUT} = 2.5 V for the UC382-ADJ, T_A = T_J, (unless otherwise stated)

UC382-3 fixed 2.5 V, 3-A family

PARAMETERS	TEST CONDITIONS	MIN	TYP	MAX	UNITS
Output voltage (I _{VOUT} = 100 mA)	UC382-3	2.475	2.500	2.525	V
	UC282-3	2.450	2.500	2.525	V
Load regulation	I _{VOUT} = 10 mA to 3 A		0.5	4	mV
VIN PSSR		80	100		dB
VB PSSR		50	60		dB
VIN dropout voltage = VIN - VOUT	I _{VOUT} = 3 A, T _J = 25°C		350	425	mV
	I _{VOUT} = 3 A, UC382-3		350	450	mV
	I _{VOUT} = 3 A, UC282-3		350	500	mV
VB dropout = VB - VOUT	I _{VOUT} = 3 A, UC382-3		1.8	2.10	V
	I _{VOUT} = 3 A, UC282-3		1.8	2.20	V
Short circuit current limit		3.3		4.5	A
VB current	I _{VOUT} = 10 mA		6	11	mA
	I _{VOUT} = 3 A		18	60	mA
VIN current	I _{VOUT} = 3 A	2.94	2.97		A



UC282-1, UC282-2, UC282-3, UC282-ADJ, UC382-1, UC382-2, UC382-3, UC382-ADJ FAST LDO LINEAR REGULATOR

SLUS317B – JANUARY 2000 – REVISED FEBRUARY 2004

electrical characteristics, $T_A = -40^\circ\text{C}$ to 100°C for the UC282-X series and 0°C to 100°C for the UC382-X, $V_B = 5\text{ V}$, $V_{IN} = 3.3\text{ V}$, $V_{OUT} = 2.5\text{ V}$ for the UC382-ADJ, $T_A = T_J$, (unless otherwise stated)

UC382-2 fixed 2.1 V, 3-A family

PARAMETERS	TEST CONDITIONS	MIN	TYP	MAX	UNITS
Output voltage ($I_{V_{OUT}} = 100\text{ mA}$)	UC382-2	2.079	2.100	2.121	V
	UC282-2	2.058	2.100	2.121	V
Load regulation	$I_{V_{OUT}} = 10\text{ mA}$ to 3 A		0.5	4	mV
V_{IN} PSSR		80	100		dB
V_B PSSR		52	62		dB
V_{IN} dropout voltage = $V_{IN} - V_{OUT}$	$I_{V_{OUT}} = 3\text{ A}$, $T_J = 25^\circ\text{C}$		350	425	mV
	$I_{V_{OUT}} = 3\text{ A}$, UC382-2		350	450	mV
	$I_{V_{OUT}} = 3\text{ A}$, UC282-2		350	500	mV
V_B dropout = $V_B - V_{OUT}$	$I_{V_{OUT}} = 3\text{ A}$, UC382-2		1.8	2.10	V
	$I_{V_{OUT}} = 3\text{ A}$, UC282-2		1.8	2.20	V
Short circuit current limit		3.3		4.5	A
V_B current	$I_{V_{OUT}} = 10\text{ mA}$		6	11	mA
	$I_{V_{OUT}} = 3\text{ A}$		18	60	mA
V_{IN} current	$I_{V_{OUT}} = 3\text{ A}$	2.94	2.97		A

UC382-1 fixed 1.5 V, 3-A family

PARAMETERS	TEST CONDITIONS	MIN	TYP	MAX	UNITS
Output voltage ($I_{V_{OUT}} = 100\text{ mA}$)	UC382-1	1.485	1.500	1.515	V
	UC282-1	1.470	1.500	1.515	V
Load regulation	$I_{V_{OUT}} = 10\text{ mA}$ to 3 A		0.5	4	mV
V_{IN} PSSR		80	100		dB
V_B PSSR		55	65		dB
V_{IN} dropout voltage = $V_{IN} - V_{OUT}$	$I_{V_{OUT}} = 3\text{ A}$, $T_J = 25^\circ\text{C}$		350	425	mV
	$I_{V_{OUT}} = 3\text{ A}$, UC382-1		350	450	mV
	$I_{V_{OUT}} = 3\text{ A}$, UC282-1		350	500	mV
V_B dropout = $V_B - V_{OUT}$	$I_{V_{OUT}} = 3\text{ A}$, UC382-1		1.8	2.10	V
	$I_{V_{OUT}} = 3\text{ A}$, UC282-1		1.8	2.20	V
Short circuit current limit		3.3		4.5	A
V_B current	$I_{V_{OUT}} = 10\text{ mA}$		6	11	mA
	$I_{V_{OUT}} = 3\text{ A}$		18	60	mA
V_{IN} current	$I_{V_{OUT}} = 3\text{ A}$	2.94	2.97		A



UC282-1, UC282-2, UC282-3, UC282-ADJ, UC382-1, UC382-2, UC382-3, UC382-ADJ FAST LDO LINEAR REGULATOR

SLUS317B – JANUARY 2000 – REVISED FEBRUARY 2004

electrical characteristics, $T_A = -40^\circ\text{C}$ to 100°C for the UC282-X series and 0°C to 100°C for the UC382-X, $V_B = 5\text{ V}$, $V_{IN} = 3.3\text{ V}$, $V_{OUT} = 2.5\text{ V}$ for the UC382-ADJ, $T_A = T_J$, (unless otherwise stated)

UC382-ADJ adjustable, 3-A family

PARAMETERS	TEST CONDITIONS	MIN	TYP	MAX	UNITS
ADJ voltage ($I_{V_{OUT}} = 100\text{ mA}$)	UC382-ADJ	1.188	1.200	1.212	V
	UC282-ADJ	1.176	1.200	1.212	V
Load regulation	$I_{V_{OUT}} = 10\text{ mA}$ to 3 A		0.5	4	mV
VIN PSSR	VOUT programmed for 2.5 V	80	100		dB
VB PSSR	VOUT programmed for 2.5 V	50	60		dB
VIN dropout voltage = $V_{IN} - V_{OUT}$	$I_{V_{OUT}} = 3\text{ A}$, $T_J = 25^\circ\text{C}$		350	425	mV
	$I_{V_{OUT}} = 3\text{ A}$, UC382-ADJ		350	450	mV
	$I_{V_{OUT}} = 3\text{ A}$, UC282-ADJ		350	500	mV
VB dropout = $V_B - V_{OUT}$	$I_{V_{OUT}} = 3\text{ A}$, UC382-ADJ		1.8	2.10	V
	$I_{V_{OUT}} = 3\text{ A}$, UC282-ADJ		1.8	2.20	V
Short circuit current limit		3.3		4.5	A
VB current	$I_{V_{OUT}} = 10\text{ mA}$		6	11	mA
	$I_{V_{OUT}} = 3\text{ A}$		18	60	mA
VIN current	$I_{V_{OUT}} = 3\text{ A}$	2.94	2.97		A

pin descriptions

ADJ: In the adjustable version, the user programs the output voltage with two external resistors. The resistors should be 0.1% for high accuracy. The output amplifier is configured as a non-inverting-operational amplifier. The resistors should meet the criteria of $R_3 \parallel R_4 < 100\ \Omega$. Connect ADJ to VOUT for an output voltage of 1.2 V. Note that the point at which the feedback network is connected to the output is the Kelvin sense point. For -1, -2, and -3 versions, ADJ pin is tied to VOUT to obtain specified output voltage.

GND: For accurate results, the GND pin should be referenced to the load ground.

VB: Supplies power to all circuits of the regulator except the collector of the output-power transistor. The 2-V headroom from VB to VOUT allows the use of a Darlington output stage for inherently-low-output impedance and fast response. (Dropout is derated for junction temperatures below 0°C .)

VIN: Supplies the current to the collector of the output-power transistor only. The dropout ($V_{IN} - V_{OUT}$) is under 100 mV for light loads; maximum dropout is 450 mV at 3 A for $T_J = 0^\circ\text{C}$ to 100°C . (Dropout is derated for junction temperatures over 100°C .) At full load, the majority of the VB current is going to the load.

VOUT: This pin should be connected to the load via a low impedance path. Avoid connectors which add significant inductance and resistance. Note that even though a Kelvin sense is available through a 5-pin package, care must be taken since voltage drops along wire traces add to the dropout voltage.



pin descriptions (continued)

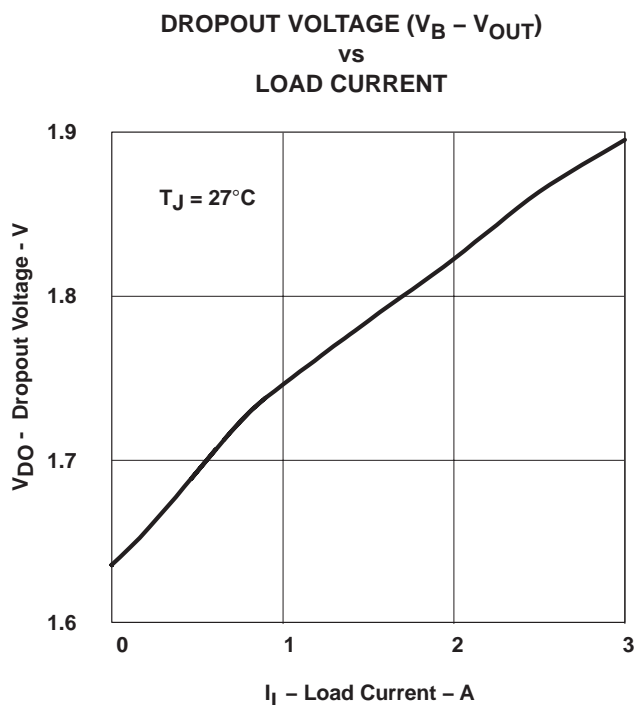


Figure 1

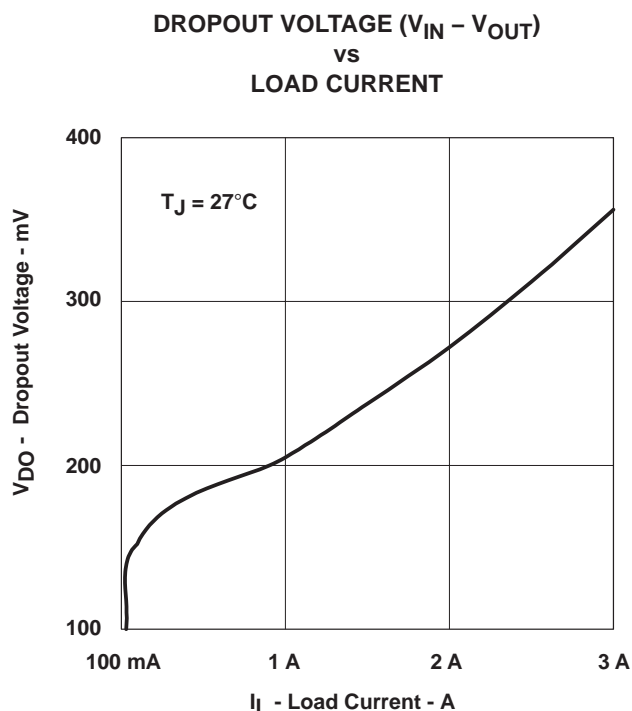


Figure 2

APPLICATION INFORMATION

The UC382 is easy to use. The adjustable version requires two 0.1% resistors to set the output voltage. The fixed versions of the UC382 require no external resistors. All versions of the UC382 require decoupling capacitors on the input and output. In a typical application, V_B and V_{IN} are driven from switching power supplies which may have large filter capacitors at their outputs. If the UC382 is further than 12 inches from the power supply, it is recommended to add local decoupling as close as possible to the linear regulator.

Decouple the output of the UC382 with at least 100 μ F of high-quality tantalum or Sanyo OSCON capacitors close to the V_{OUT} pin for maximum stability. Many applications involving Ultra-Fast GTL or BTL applications require additional capacitance close to the load. The exact amount will vary according to speed and magnitude of the load transients and the tolerance allowed for transients on V_{OUT} . When specifying the decoupling capacitors, the series resistance of the capacitor bank is an important factor in its ability to filter load transients.

The UC382 allows for Kelvin sensing the voltage at the load. This improves regulation performance and eliminates the voltage drops due to wire-trace resistance. This voltage drop must be added to the headroom (V_{IN} to V_{OUT} and V_B to V_{OUT}). The dropout of 450 mV is measured at the pins and does not include additional drops due to trace resistance. The minimum load current is 10 mA.

Two or more UC382's may be used in parallel. While stable, this arrangement does degrade the transient response.

UC282-1, UC282-2, UC282-3, UC282-ADJ, UC382-1, UC382-2, UC382-3, UC382-ADJ FAST LDO LINEAR REGULATOR

SLUS317B – JANUARY 2000 – REVISED FEBRUARY 2004

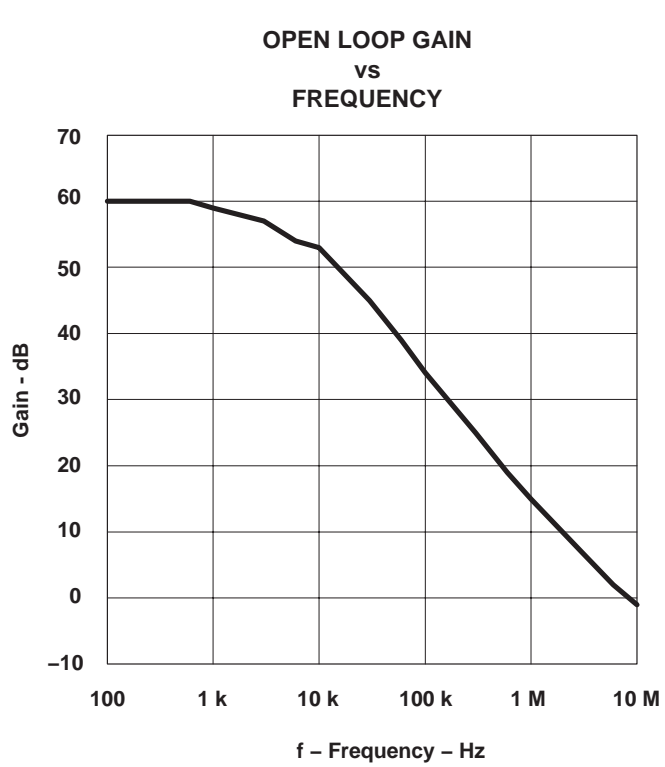


Figure 3

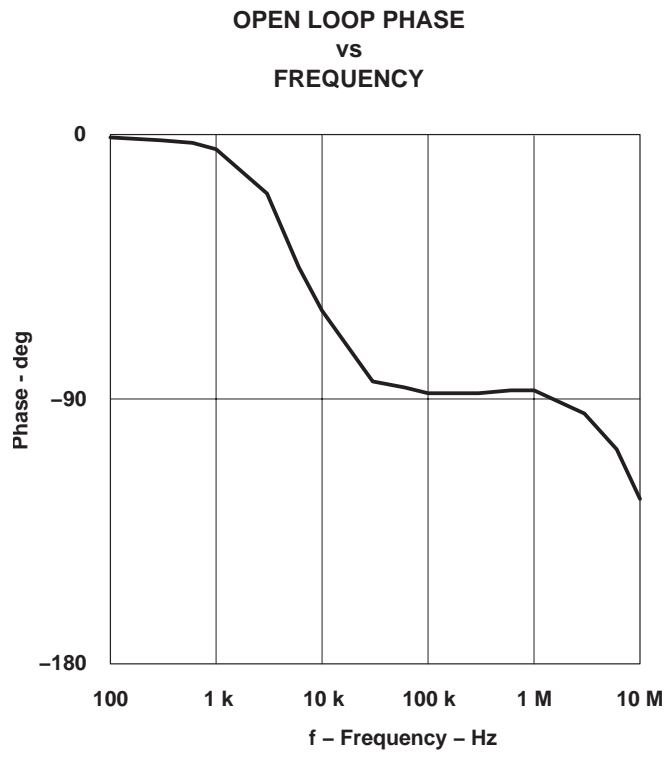


Figure 4

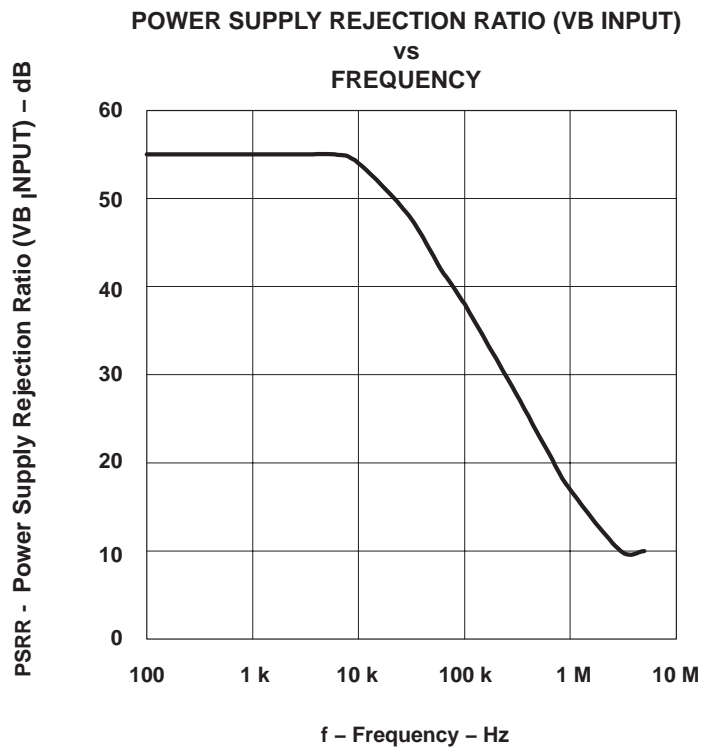
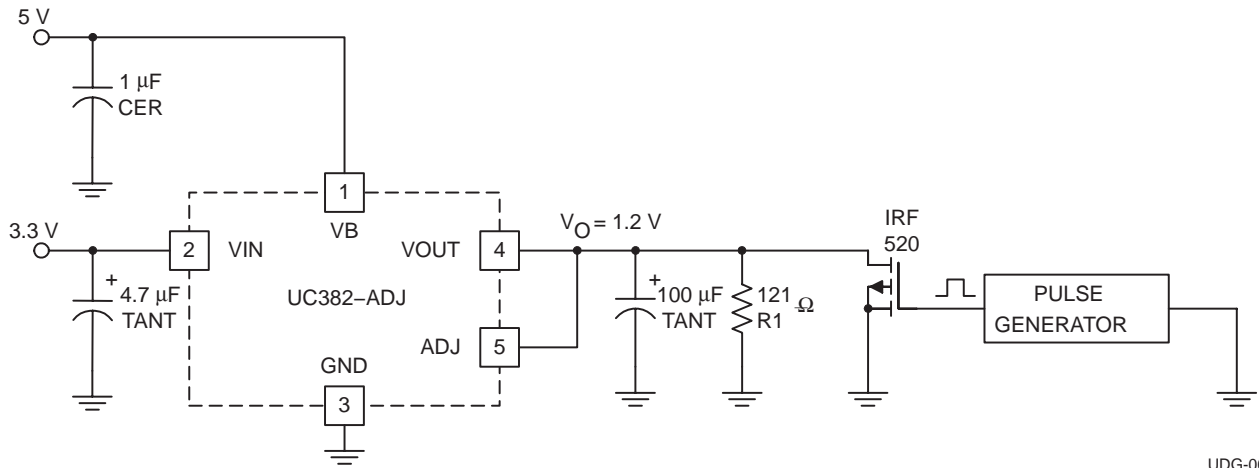


Figure 5



APPLICATION INFORMATION



UDG-00081

Figure 6. Transient Test Circuit

10 mA to 3 A/ μ s Load Transient Response

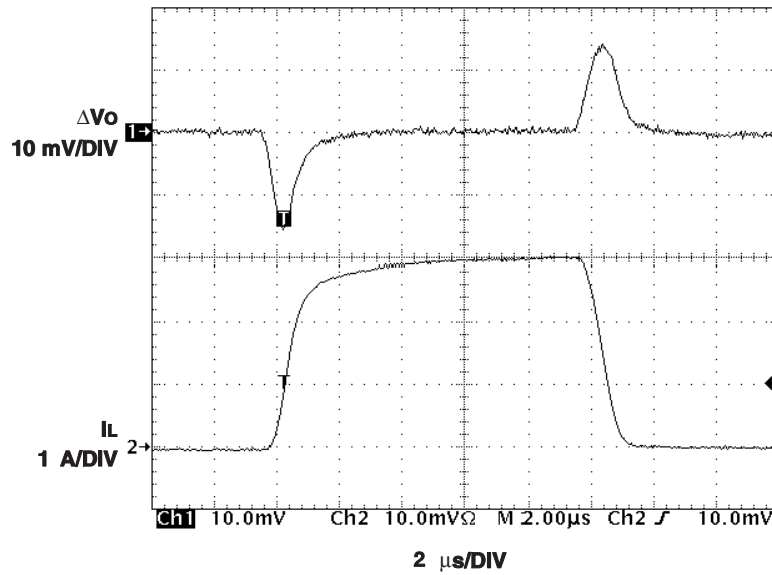
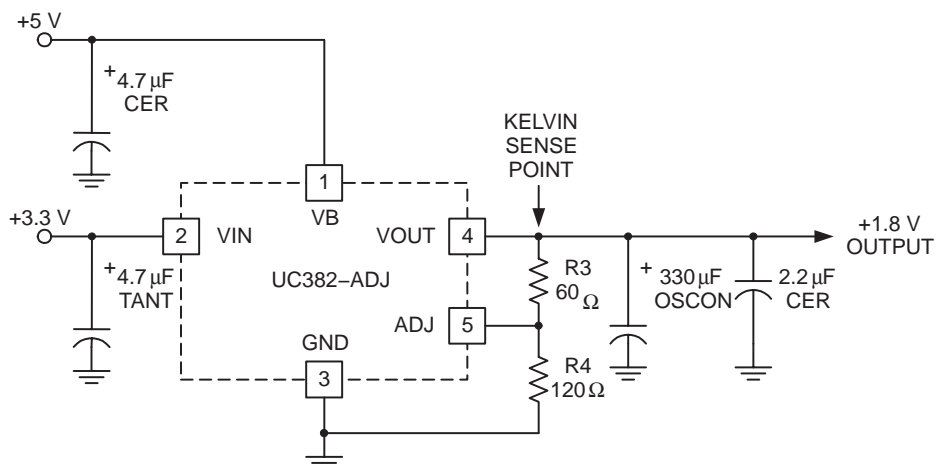


Figure 7

UC282-1, UC282-2, UC282-3, UC282-ADJ, UC382-1, UC382-2, UC382-3, UC382-ADJ FAST LDO LINEAR REGULATOR

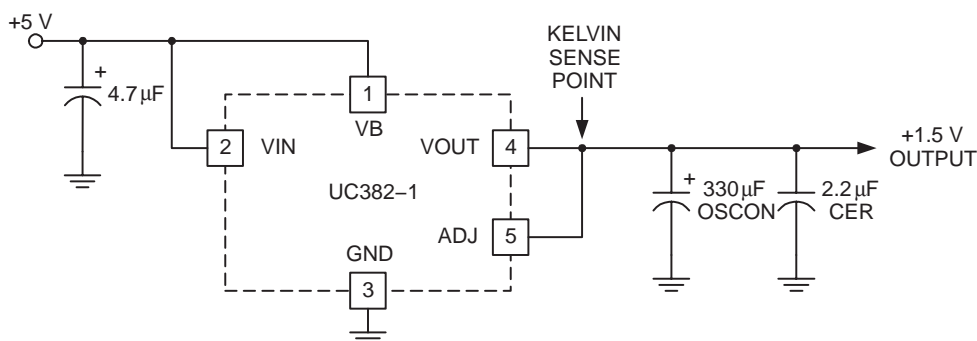
SLUS317B – JANUARY 2000 – REVISED FEBRUARY 2004

APPLICATION INFORMATION



UDG-00082

Figure 8. Typical UC382-ADJ Application



UDG-00083

Figure 9. Typical UC382-1, -2, or -3 Application

PACKAGING INFORMATION

Orderable Device	Status (1)	Package Type	Package Drawing	Pins	Package Qty	Eco Plan (2)	Lead/Ball Finish	MSL Peak Temp (3)	Samples (Requires Login)
UC282T-1	ACTIVE	TO-220	KC	5	50	Green (RoHS & no Sb/Br)	CU SN	N / A for Pkg Type	
UC282T-1G3	ACTIVE	TO-220	KC	5	50	Green (RoHS & no Sb/Br)	CU SN	N / A for Pkg Type	
UC282T-2	ACTIVE	TO-220	KC	5	50	Green (RoHS & no Sb/Br)	CU SN	N / A for Pkg Type	
UC282T-2G3	ACTIVE	TO-220	KC	5	50	Green (RoHS & no Sb/Br)	CU SN	N / A for Pkg Type	
UC282T-3	ACTIVE	TO-220	KC	5	50	Green (RoHS & no Sb/Br)	CU SN	N / A for Pkg Type	
UC282T-3G3	ACTIVE	TO-220	KC	5	50	Green (RoHS & no Sb/Br)	CU SN	N / A for Pkg Type	
UC282T-ADJ	ACTIVE	TO-220	KC	5	50	Green (RoHS & no Sb/Br)	CU SN	N / A for Pkg Type	
UC282T-ADJG3	ACTIVE	TO-220	KC	5	50	Green (RoHS & no Sb/Br)	CU SN	N / A for Pkg Type	
UC282TD-1	OBSOLETE	DDPAK/ TO-263	KTT	5		TBD	Call TI	Call TI	
UC282TD-2	OBSOLETE	DDPAK/ TO-263	KTT	5		TBD	Call TI	Call TI	
UC282TD-3	OBSOLETE	DDPAK/ TO-263	KTT	5		TBD	Call TI	Call TI	
UC282TD-ADJ	OBSOLETE	DDPAK/ TO-263	KTT	5		TBD	Call TI	Call TI	
UC282TDKTTT-1	ACTIVE	DDPAK/ TO-263	KTT	5	50	Green (RoHS & no Sb/Br)	CU SN	Level-2-260C-1 YEAR	
UC282TDKTTT-1G3	ACTIVE	DDPAK/ TO-263	KTT	5	50	Green (RoHS & no Sb/Br)	CU SN	Level-2-260C-1 YEAR	
UC282TDKTTT-2	OBSOLETE	DDPAK/ TO-263	KTT	5		TBD	Call TI	Call TI	
UC282TDKTTT-2G3	ACTIVE	DDPAK/ TO-263	KTT	5		TBD	Call TI	Call TI	
UC282TDKTTT-3	ACTIVE	DDPAK/ TO-263	KTT	5	50	Green (RoHS & no Sb/Br)	CU SN	Level-2-260C-1 YEAR	

Orderable Device	Status (1)	Package Type	Package Drawing	Pins	Package Qty	Eco Plan (2)	Lead/Ball Finish	MSL Peak Temp (3)	Samples (Requires Login)
UC282TDKTTT-3G3	ACTIVE	DDPAK/ TO-263	KTT	5	50	Green (RoHS & no Sb/Br)	CU SN	Level-2-260C-1 YEAR	
UC282TDKTTT-ADJ	ACTIVE	DDPAK/ TO-263	KTT	5	50	Green (RoHS & no Sb/Br)	CU SN	Level-2-260C-1 YEAR	
UC282TDKTTT-ADJG3	ACTIVE	DDPAK/ TO-263	KTT	5	50	Green (RoHS & no Sb/Br)	CU SN	Level-2-260C-1 YEAR	
UC282TDTR-1	ACTIVE	DDPAK/ TO-263	KTT	5	500	Green (RoHS & no Sb/Br)	CU SN	Level-2-260C-1 YEAR	
UC282TDTR-1G3	ACTIVE	DDPAK/ TO-263	KTT	5	500	Green (RoHS & no Sb/Br)	CU SN	Level-2-260C-1 YEAR	
UC282TDTR-3	ACTIVE	DDPAK/ TO-263	KTT	5	500	Green (RoHS & no Sb/Br)	CU SN	Level-2-260C-1 YEAR	
UC282TDTR-3G3	ACTIVE	DDPAK/ TO-263	KTT	5	500	Green (RoHS & no Sb/Br)	CU SN	Level-2-260C-1 YEAR	
UC282TDTR-ADJ	ACTIVE	DDPAK/ TO-263	KTT	5	500	Green (RoHS & no Sb/Br)	CU SN	Level-2-260C-1 YEAR	
UC282TDTR-ADJG3	ACTIVE	DDPAK/ TO-263	KTT	5	500	Green (RoHS & no Sb/Br)	CU SN	Level-2-260C-1 YEAR	
UC382T-1	ACTIVE	TO-220	KC	5	50	Green (RoHS & no Sb/Br)	CU SN	N / A for Pkg Type	
UC382T-1G3	ACTIVE	TO-220	KC	5	50	Green (RoHS & no Sb/Br)	CU SN	N / A for Pkg Type	
UC382T-2	ACTIVE	TO-220	KC	5	50	Green (RoHS & no Sb/Br)	CU SN	N / A for Pkg Type	
UC382T-2G3	ACTIVE	TO-220	KC	5	50	Green (RoHS & no Sb/Br)	CU SN	N / A for Pkg Type	
UC382T-3	ACTIVE	TO-220	KC	5	50	Green (RoHS & no Sb/Br)	CU SN	N / A for Pkg Type	
UC382T-3G3	ACTIVE	TO-220	KC	5	50	Green (RoHS & no Sb/Br)	CU SN	N / A for Pkg Type	
UC382T-ADJ	ACTIVE	TO-220	KC	5	50	Green (RoHS & no Sb/Br)	CU SN	N / A for Pkg Type	
UC382T-ADJG3	ACTIVE	TO-220	KC	5	50	Green (RoHS & no Sb/Br)	CU SN	N / A for Pkg Type	
UC382TD-1	OBSOLETE	DDPAK/ TO-263	KTT	5		TBD	Call TI	Call TI	

Orderable Device	Status (1)	Package Type	Package Drawing	Pins	Package Qty	Eco Plan (2)	Lead/Ball Finish	MSL Peak Temp (3)	Samples (Requires Login)
UC382TD-2	OBSOLETE	DDPAK/ TO-263	KTT	5		TBD	Call TI	Call TI	
UC382TD-3	OBSOLETE	DDPAK/ TO-263	KTT	5		TBD	Call TI	Call TI	
UC382TD-ADJ	OBSOLETE	DDPAK/ TO-263	KTT	5		TBD	Call TI	Call TI	
UC382TDKTTT-1	ACTIVE	DDPAK/ TO-263	KTT	5	50	Green (RoHS & no Sb/Br)	CU SN	Level-2-260C-1 YEAR	
UC382TDKTTT-1G3	ACTIVE	DDPAK/ TO-263	KTT	5	50	Green (RoHS & no Sb/Br)	CU SN	Level-2-260C-1 YEAR	
UC382TDKTTT-2	ACTIVE	DDPAK/ TO-263	KTT	5	50	Green (RoHS & no Sb/Br)	CU SN	Level-2-260C-1 YEAR	
UC382TDKTTT-2G3	ACTIVE	DDPAK/ TO-263	KTT	5	50	Green (RoHS & no Sb/Br)	CU SN	Level-2-260C-1 YEAR	
UC382TDKTTT-3	ACTIVE	DDPAK/ TO-263	KTT	5	50	Green (RoHS & no Sb/Br)	CU SN	Level-2-260C-1 YEAR	
UC382TDKTTT-3G3	ACTIVE	DDPAK/ TO-263	KTT	5	50	Green (RoHS & no Sb/Br)	CU SN	Level-2-260C-1 YEAR	
UC382TDKTTT-ADJ	ACTIVE	DDPAK/ TO-263	KTT	5	50	Green (RoHS & no Sb/Br)	CU SN	Level-2-260C-1 YEAR	
UC382TDKTTT-ADJG3	ACTIVE	DDPAK/ TO-263	KTT	5	50	Green (RoHS & no Sb/Br)	CU SN	Level-2-260C-1 YEAR	
UC382TDTR-1	ACTIVE	DDPAK/ TO-263	KTT	5	500	Green (RoHS & no Sb/Br)	CU SN	Level-2-260C-1 YEAR	
UC382TDTR-1G3	ACTIVE	DDPAK/ TO-263	KTT	5	500	Green (RoHS & no Sb/Br)	CU SN	Level-2-260C-1 YEAR	
UC382TDTR-3	ACTIVE	DDPAK/ TO-263	KTT	5	500	Green (RoHS & no Sb/Br)	CU SN	Level-2-260C-1 YEAR	
UC382TDTR-3G3	ACTIVE	DDPAK/ TO-263	KTT	5	500	Green (RoHS & no Sb/Br)	CU SN	Level-2-260C-1 YEAR	
UC382TDTR-ADJ	ACTIVE	DDPAK/ TO-263	KTT	5	500	Green (RoHS & no Sb/Br)	CU SN	Level-2-260C-1 YEAR	
UC382TDTR-ADJG3	ACTIVE	DDPAK/ TO-263	KTT	5	500	Green (RoHS & no Sb/Br)	CU SN	Level-2-260C-1 YEAR	

⁽¹⁾ The marketing status values are defined as follows:

ACTIVE: Product device recommended for new designs.

LIFEBUY: TI has announced that the device will be discontinued, and a lifetime-buy period is in effect.

NRND: Not recommended for new designs. Device is in production to support existing customers, but TI does not recommend using this part in a new design.

PREVIEW: Device has been announced but is not in production. Samples may or may not be available.

OBSOLETE: TI has discontinued the production of the device.

⁽²⁾ Eco Plan - The planned eco-friendly classification: Pb-Free (RoHS), Pb-Free (RoHS Exempt), or Green (RoHS & no Sb/Br) - please check <http://www.ti.com/productcontent> for the latest availability information and additional product content details.

TBD: The Pb-Free/Green conversion plan has not been defined.

Pb-Free (RoHS): TI's terms "Lead-Free" or "Pb-Free" mean semiconductor products that are compatible with the current RoHS requirements for all 6 substances, including the requirement that lead not exceed 0.1% by weight in homogeneous materials. Where designed to be soldered at high temperatures, TI Pb-Free products are suitable for use in specified lead-free processes.

Pb-Free (RoHS Exempt): This component has a RoHS exemption for either 1) lead-based flip-chip solder bumps used between the die and package, or 2) lead-based die adhesive used between the die and leadframe. The component is otherwise considered Pb-Free (RoHS compatible) as defined above.

Green (RoHS & no Sb/Br): TI defines "Green" to mean Pb-Free (RoHS compatible), and free of Bromine (Br) and Antimony (Sb) based flame retardants (Br or Sb do not exceed 0.1% by weight in homogeneous material)

⁽³⁾ MSL, Peak Temp. -- The Moisture Sensitivity Level rating according to the JEDEC industry standard classifications, and peak solder temperature.

Important Information and Disclaimer: The information provided on this page represents TI's knowledge and belief as of the date that it is provided. TI bases its knowledge and belief on information provided by third parties, and makes no representation or warranty as to the accuracy of such information. Efforts are underway to better integrate information from third parties. TI has taken and continues to take reasonable steps to provide representative and accurate information but may not have conducted destructive testing or chemical analysis on incoming materials and chemicals. TI and TI suppliers consider certain information to be proprietary, and thus CAS numbers and other limited information may not be available for release.

In no event shall TI's liability arising out of such information exceed the total purchase price of the TI part(s) at issue in this document sold by TI to Customer on an annual basis.

TAPE AND REEL INFORMATION
REEL DIMENSIONS

TAPE DIMENSIONS

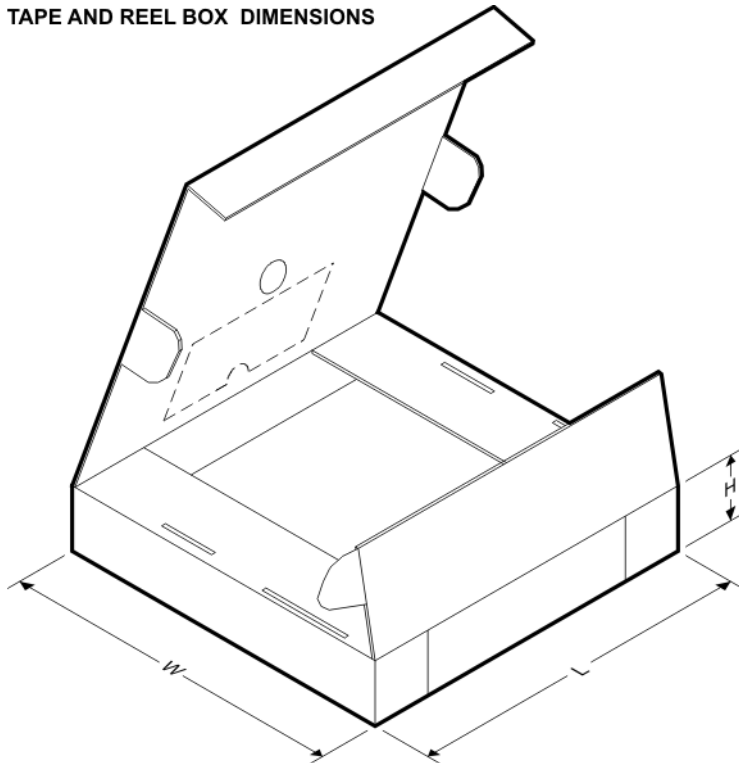

A0	Dimension designed to accommodate the component width
B0	Dimension designed to accommodate the component length
K0	Dimension designed to accommodate the component thickness
W	Overall width of the carrier tape
P1	Pitch between successive cavity centers

TAPE AND REEL INFORMATION

*All dimensions are nominal

Device	Package Type	Package Drawing	Pins	SPQ	Reel Diameter (mm)	Reel Width W1 (mm)	A0 (mm)	B0 (mm)	K0 (mm)	P1 (mm)	W (mm)	Pin1 Quadrant
UC282TDKTTT-1	DDPAK/TO-263	KTT	5	50	330.0	24.4	10.6	15.6	4.9	16.0	24.0	Q2
UC282TDKTTT-3	DDPAK/TO-263	KTT	5	50	330.0	24.4	10.6	15.6	4.9	16.0	24.0	Q2
UC282TDKTTT-ADJ	DDPAK/TO-263	KTT	5	50	330.0	24.4	10.6	15.6	4.9	16.0	24.0	Q2
UC282TDTR-1	DDPAK/TO-263	KTT	5	500	330.0	24.4	10.6	15.6	4.9	16.0	24.0	Q2
UC282TDTR-3	DDPAK/TO-263	KTT	5	500	330.0	24.4	10.6	15.6	4.9	16.0	24.0	Q2
UC282TDTR-ADJ	DDPAK/TO-263	KTT	5	500	330.0	24.4	10.6	15.6	4.9	16.0	24.0	Q2
UC382TDKTTT-1	DDPAK/TO-263	KTT	5	50	330.0	24.4	10.6	15.6	4.9	16.0	24.0	Q2
UC382TDKTTT-2	DDPAK/TO-263	KTT	5	50	330.0	24.4	10.6	15.6	4.9	16.0	24.0	Q2
UC382TDKTTT-3	DDPAK/TO-263	KTT	5	50	330.0	24.4	10.6	15.6	4.9	16.0	24.0	Q2
UC382TDKTTT-ADJ	DDPAK/TO-263	KTT	5	50	330.0	24.4	10.6	15.6	4.9	16.0	24.0	Q2
UC382TDTR-1	DDPAK/	KTT	5	500	330.0	24.4	10.6	15.6	4.9	16.0	24.0	Q2

Device	Package Type	Package Drawing	Pins	SPQ	Reel Diameter (mm)	Reel Width W1 (mm)	A0 (mm)	B0 (mm)	K0 (mm)	P1 (mm)	W (mm)	Pin1 Quadrant
	TO-263											
UC382TDTR-3	DDPAK/ TO-263	KTT	5	500	330.0	24.4	10.6	15.6	4.9	16.0	24.0	Q2
UC382TDTR-ADJ	DDPAK/ TO-263	KTT	5	500	330.0	24.4	10.6	15.6	4.9	16.0	24.0	Q2

TAPE AND REEL BOX DIMENSIONS


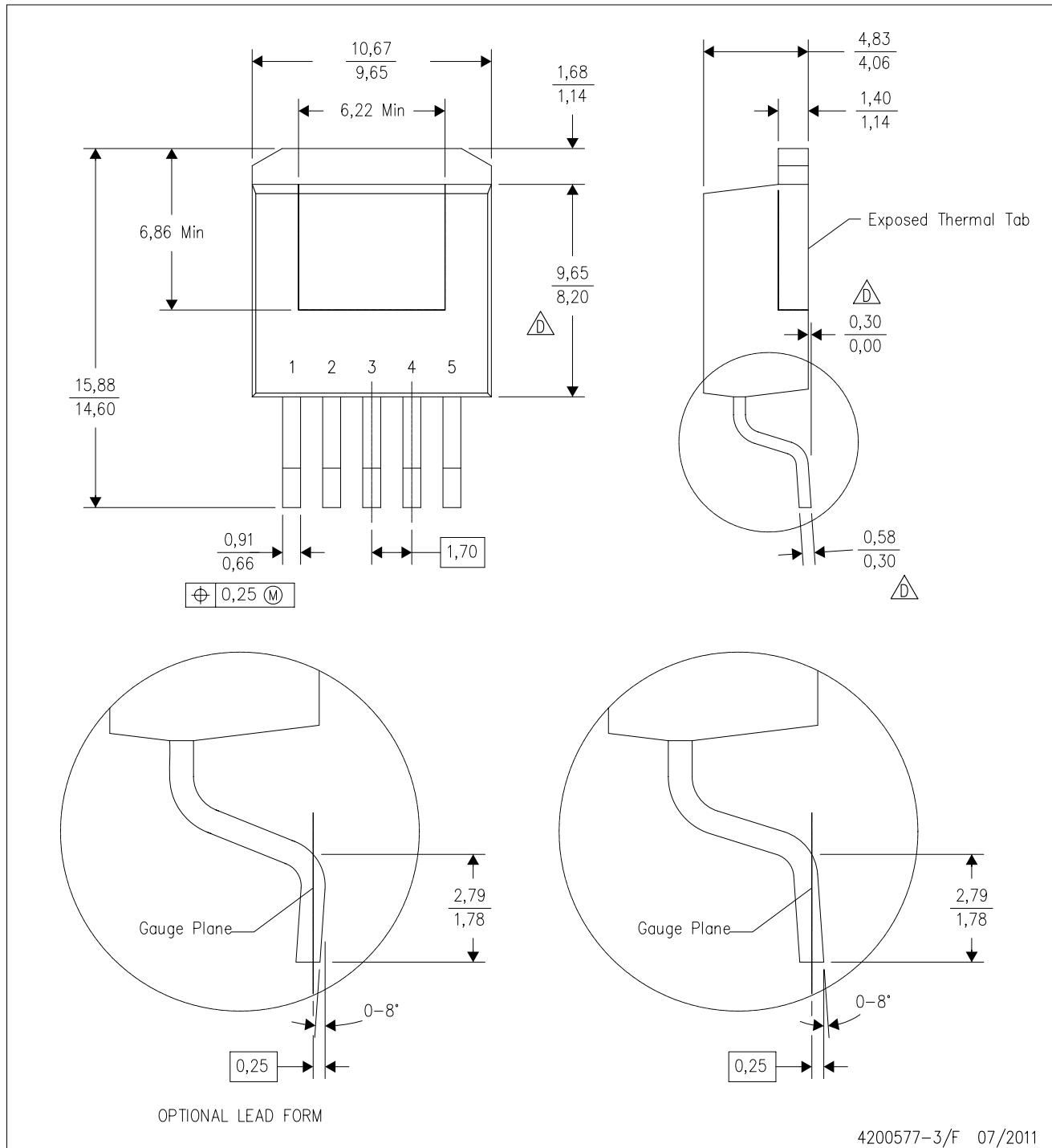
*All dimensions are nominal

Device	Package Type	Package Drawing	Pins	SPQ	Length (mm)	Width (mm)	Height (mm)
UC282TDKTTT-1	DDPAK/TO-263	KTT	5	50	367.0	367.0	45.0
UC282TDKTTT-3	DDPAK/TO-263	KTT	5	50	367.0	367.0	45.0
UC282TDKTTT-ADJ	DDPAK/TO-263	KTT	5	50	367.0	367.0	45.0
UC282TDTR-1	DDPAK/TO-263	KTT	5	500	367.0	367.0	45.0
UC282TDTR-3	DDPAK/TO-263	KTT	5	500	367.0	367.0	45.0
UC282TDTR-ADJ	DDPAK/TO-263	KTT	5	500	367.0	367.0	45.0
UC382TDKTTT-1	DDPAK/TO-263	KTT	5	50	367.0	367.0	45.0
UC382TDKTTT-2	DDPAK/TO-263	KTT	5	50	367.0	367.0	45.0
UC382TDKTTT-3	DDPAK/TO-263	KTT	5	50	367.0	367.0	45.0
UC382TDKTTT-ADJ	DDPAK/TO-263	KTT	5	50	367.0	367.0	45.0
UC382TDTR-1	DDPAK/TO-263	KTT	5	500	367.0	367.0	45.0
UC382TDTR-3	DDPAK/TO-263	KTT	5	500	367.0	367.0	45.0

Device	Package Type	Package Drawing	Pins	SPQ	Length (mm)	Width (mm)	Height (mm)
UC382TDTR-ADJ	DDPAK/TO-263	KTT	5	500	367.0	367.0	45.0

KTT (R-PSFM-G5)

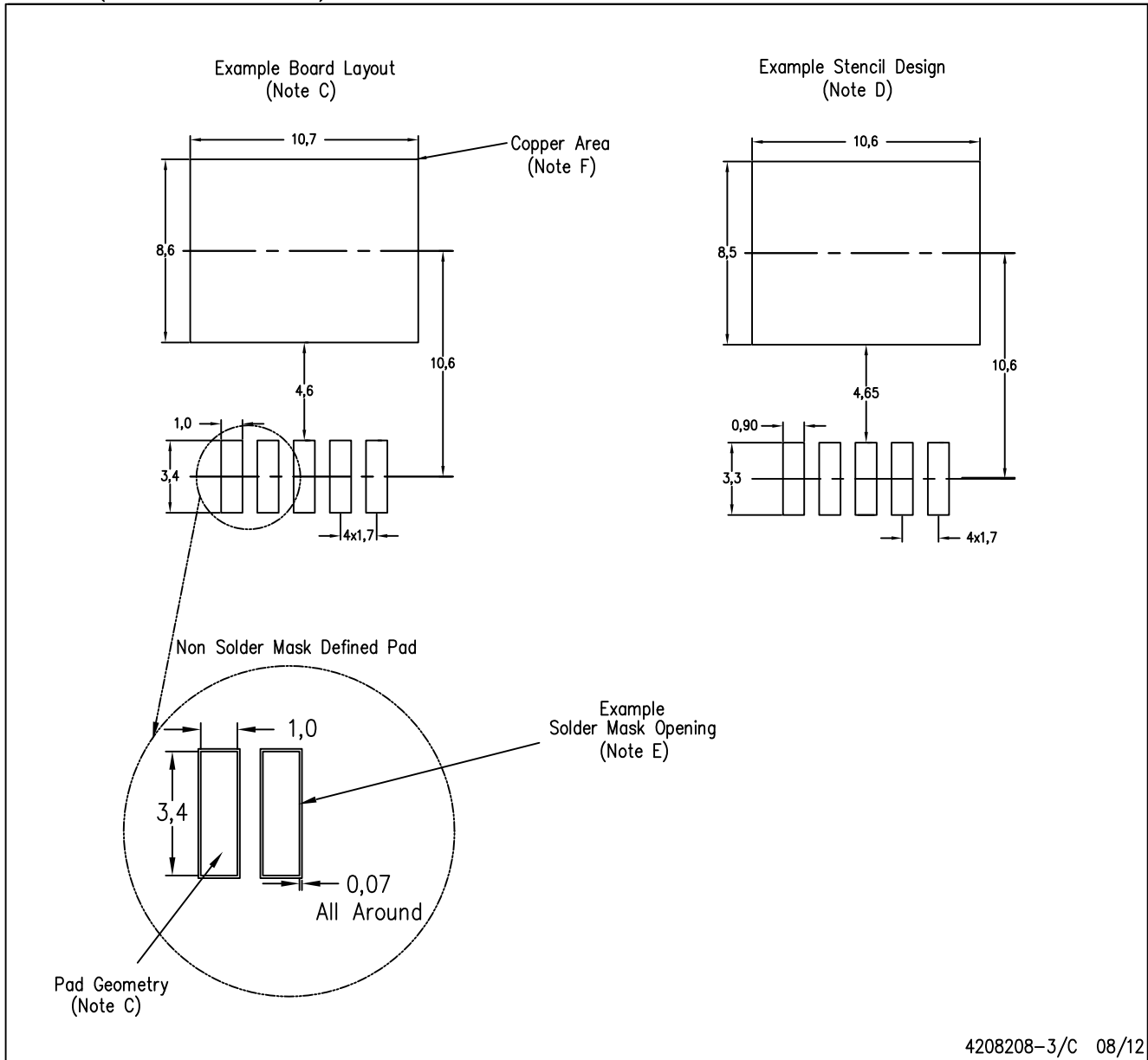
PLASTIC FLANGE-MOUNT PACKAGE



- NOTES:
- A. All linear dimensions are in millimeters.
 - B. This drawing is subject to change without notice.
 - C. Body dimensions do not include mold flash or protrusion. Mold flash or protrusion not to exceed 0.005 (0,13) per side.
- △ Falls within JEDEC TO-263 variation BA, except minimum lead thickness, maximum seating height, and minimum body length.

KTT (R-PSFM-G5)

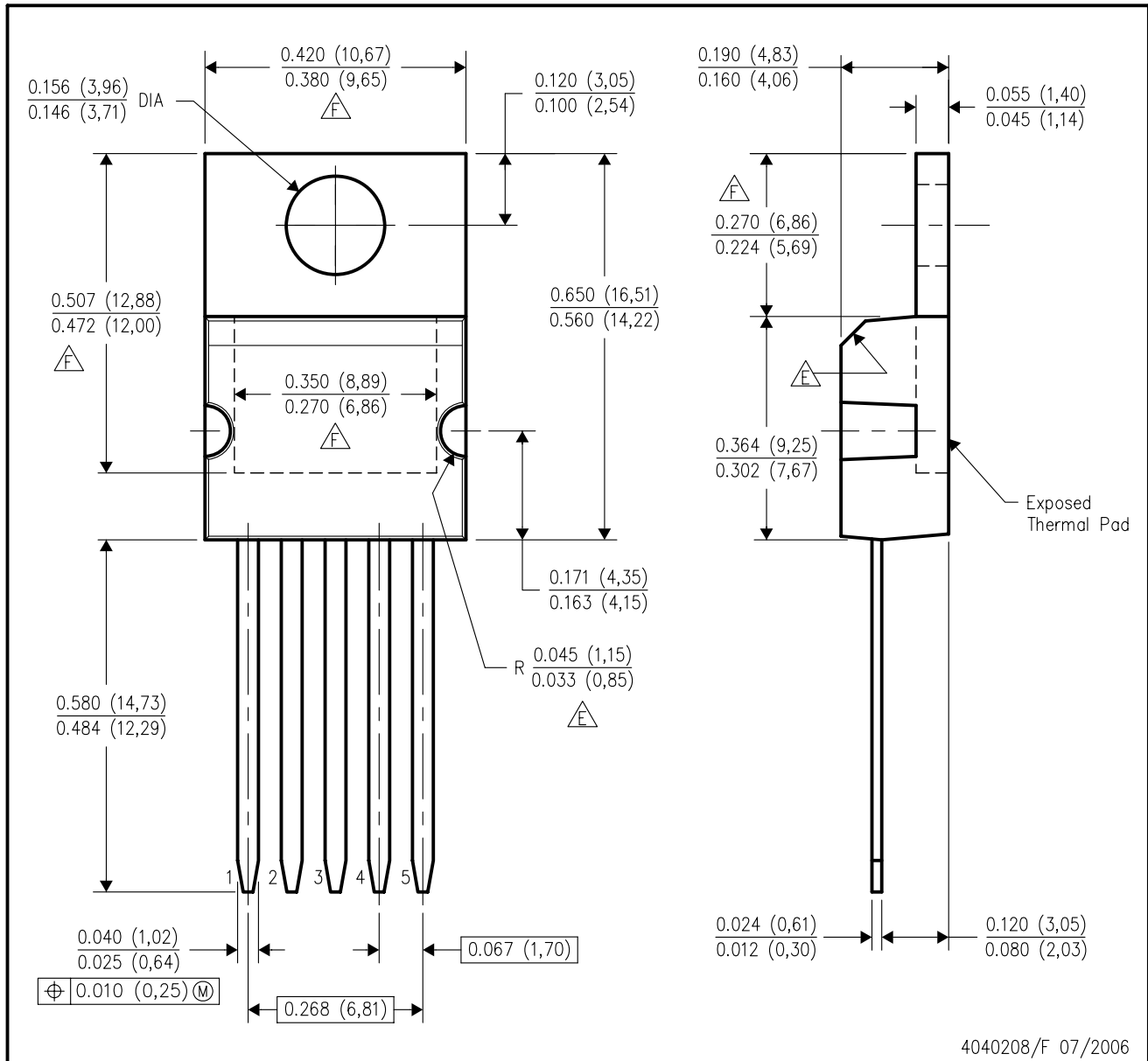
PLASTIC FLANGE-MOUNT PACKAGE





- NOTES:
- A. All linear dimensions are in millimeters.
 - B. This drawing is subject to change without notice.
 - C. Publication IPC-SM-782 is recommended for alternate designs.
 - D. Laser cutting apertures with trapezoidal walls and also rounding corners will offer better paste release. Customers should contact their board assembly site for stencil design recommendations. Refer to IPC-7525.
 - E. Customers should contact their board fabrication site for solder mask tolerances between and around signal pads.
 - F. This package is designed to be soldered to a thermal pad on the board. Refer to the Product Datasheet for specific thermal information, via requirements, and recommended thermal pad size. For thermal pad sizes larger than shown a solder mask defined pad is recommended in order to maintain the solderable pad geometry while increasing copper area.

KC (R-PSFM-T5)

PLASTIC FLANGE-MOUNT PACKAGE



- NOTES:
- A. All linear dimensions are in inches (millimeters).
 - B. This drawing is subject to change without notice.
 - C. All lead dimensions apply before solder dip.
 - D. The center lead is in electrical contact with the mounting tab.
 -  These features are optional.
 -  Thermal pad contour optional within these dimensions.

IMPORTANT NOTICE

Texas Instruments Incorporated and its subsidiaries (TI) reserve the right to make corrections, enhancements, improvements and other changes to its semiconductor products and services per JESD46, latest issue, and to discontinue any product or service per JESD48, latest issue. Buyers should obtain the latest relevant information before placing orders and should verify that such information is current and complete. All semiconductor products (also referred to herein as "components") are sold subject to TI's terms and conditions of sale supplied at the time of order acknowledgment.

TI warrants performance of its components to the specifications applicable at the time of sale, in accordance with the warranty in TI's terms and conditions of sale of semiconductor products. Testing and other quality control techniques are used to the extent TI deems necessary to support this warranty. Except where mandated by applicable law, testing of all parameters of each component is not necessarily performed.

TI assumes no liability for applications assistance or the design of Buyers' products. Buyers are responsible for their products and applications using TI components. To minimize the risks associated with Buyers' products and applications, Buyers should provide adequate design and operating safeguards.

TI does not warrant or represent that any license, either express or implied, is granted under any patent right, copyright, mask work right, or other intellectual property right relating to any combination, machine, or process in which TI components or services are used. Information published by TI regarding third-party products or services does not constitute a license to use such products or services or a warranty or endorsement thereof. Use of such information may require a license from a third party under the patents or other intellectual property of the third party, or a license from TI under the patents or other intellectual property of TI.

Reproduction of significant portions of TI information in TI data books or data sheets is permissible only if reproduction is without alteration and is accompanied by all associated warranties, conditions, limitations, and notices. TI is not responsible or liable for such altered documentation. Information of third parties may be subject to additional restrictions.

Resale of TI components or services with statements different from or beyond the parameters stated by TI for that component or service voids all express and any implied warranties for the associated TI component or service and is an unfair and deceptive business practice. TI is not responsible or liable for any such statements.

Buyer acknowledges and agrees that it is solely responsible for compliance with all legal, regulatory and safety-related requirements concerning its products, and any use of TI components in its applications, notwithstanding any applications-related information or support that may be provided by TI. Buyer represents and agrees that it has all the necessary expertise to create and implement safeguards which anticipate dangerous consequences of failures, monitor failures and their consequences, lessen the likelihood of failures that might cause harm and take appropriate remedial actions. Buyer will fully indemnify TI and its representatives against any damages arising out of the use of any TI components in safety-critical applications.

In some cases, TI components may be promoted specifically to facilitate safety-related applications. With such components, TI's goal is to help enable customers to design and create their own end-product solutions that meet applicable functional safety standards and requirements. Nonetheless, such components are subject to these terms.

No TI components are authorized for use in FDA Class III (or similar life-critical medical equipment) unless authorized officers of the parties have executed a special agreement specifically governing such use.

Only those TI components which TI has specifically designated as military grade or "enhanced plastic" are designed and intended for use in military/aerospace applications or environments. Buyer acknowledges and agrees that any military or aerospace use of TI components which have **not** been so designated is solely at the Buyer's risk, and that Buyer is solely responsible for compliance with all legal and regulatory requirements in connection with such use.

TI has specifically designated certain components as meeting ISO/TS16949 requirements, mainly for automotive use. In any case of use of non-designated products, TI will not be responsible for any failure to meet ISO/TS16949.

Products

Audio	www.ti.com/audio
Amplifiers	amplifier.ti.com
Data Converters	dataconverter.ti.com
DLP® Products	www.dlp.com
DSP	dsp.ti.com
Clocks and Timers	www.ti.com/clocks
Interface	interface.ti.com
Logic	logic.ti.com
Power Mgmt	power.ti.com
Microcontrollers	microcontroller.ti.com
RFID	www.ti-rfid.com
OMAP Applications Processors	www.ti.com/omap
Wireless Connectivity	www.ti.com/wirelessconnectivity

Applications

Automotive and Transportation	www.ti.com/automotive
Communications and Telecom	www.ti.com/communications
Computers and Peripherals	www.ti.com/computers
Consumer Electronics	www.ti.com/consumer-apps
Energy and Lighting	www.ti.com/energy
Industrial	www.ti.com/industrial
Medical	www.ti.com/medical
Security	www.ti.com/security
Space, Avionics and Defense	www.ti.com/space-avionics-defense
Video and Imaging	www.ti.com/video

TI E2E Community

e2e.ti.com