

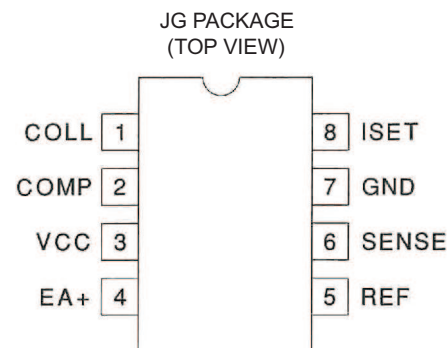
Rad-Tolerant Class-V, Precision Analog Controller

 Check for Samples: [UC19432-SP](#)

FEATURES

- QML-V Qualified, SMD 5962-09233
- Rad Tolerant: 30 kRad(Si) TID ⁽¹⁾
 - TID Dose Rate = 10 mRad/sec
- Programmable Transconductance for Optimum Current Drive
- Accessible 1.3 V precision Reference
- Both Error Amplifier Inputs Available
- 0.7% Overall Reference Tolerance
- 0.4% Initial Accuracy
- 2.4-V to 24-V Operating Supply Voltage and User Programmable Reference
- Reference Accuracy Maintained for Entire Range of Supply Voltage

- Superior Accuracy and Easier Compensation for Optoisolator Application
- Low Quiescent Current (0.5 mA Typ)



(1) Radiation tolerance is a typical value based upon initial device qualification. Radiation Lot Acceptance Testing is available - contact factory for details.

DESCRIPTION

The UC19432 is an adjustable precision analog controller with 100-mA sink capability if the ISET pin is grounded. A resistor between ISET and ground will modify the transconductance while decreasing the maximum current sink. This will add further control in the optocoupler configuration. The trimmed precision reference along with the non-inverting error amplifier inputs are accessible for custom configuration. A sister device, the UC19431 adjustable shunt regulator, has an on-board resistor network providing six preprogrammed voltage levels, as well as external programming capability.

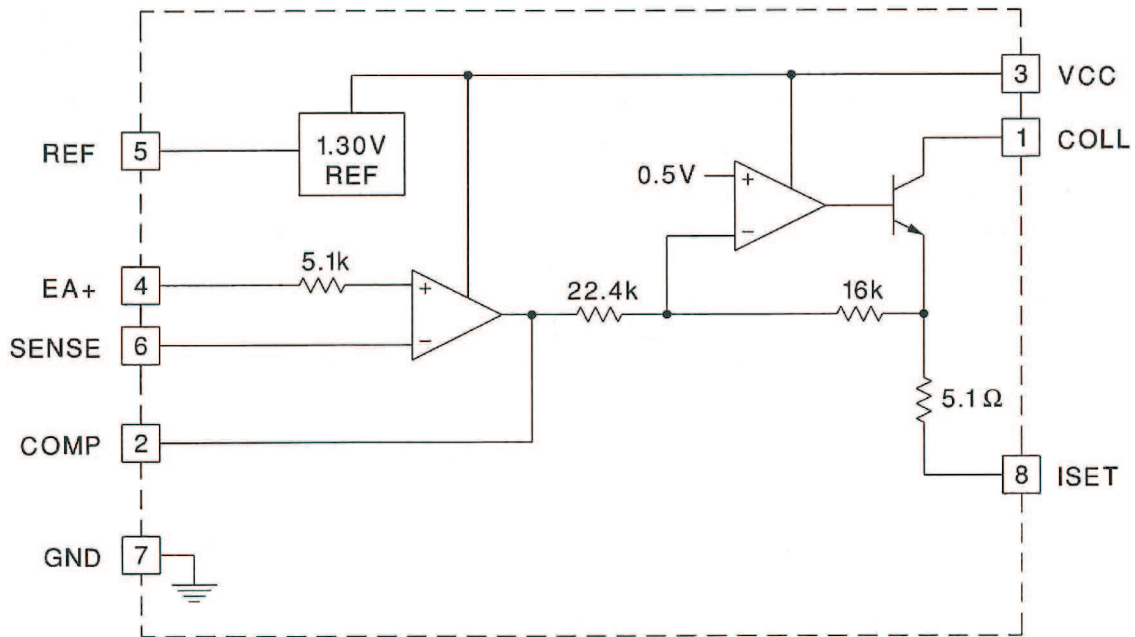
ORDERING INFORMATION

T _A	PACKAGE	ORDERABLE PART NUMBER	TOP-SIDE MARKING
-55°C to 125°C	CDIP-8	5962-0923301VPA	UC19432-SP



Please be aware that an important notice concerning availability, standard warranty, and use in critical applications of Texas Instruments semiconductor products and disclaimers thereto appears at the end of this data sheet.

FUNCTIONAL BLOCK DIAGRAM



ABSOLUTE MAXIMUM RATINGS⁽¹⁾

over operating free-air temperature range (unless otherwise noted)

		VALUE	UNIT
VCC	Supply voltage	24	V
V _{COLL}	Regulated output	24	V
SENSE, EA+	EA input	6	V
COMP	EA compensation	6	V
REF	Reference output	6	V
I _{COLL}	Output sink current (continuous or time average)	125	mA
ISET	Output source current (continuous or time average)	-125	mA
	Power dissipation at T _A ≤ 25°C Derate 8 mW/°C for T _A > 25°C	1	W
	Storage temperature range	-65 to 150	°C
	Junction temperature	-55 to 150	°C
	Lead temperature (soldering, 10 seconds)	300	°C

(1) Stresses beyond those listed under "absolute maximum ratings" may cause permanent damage to the device. These are stress ratings only. Exposure to absolute-maximum-rated conditions for extended periods may affect device reliability.

ELECTRICAL CHARACTERISTICS

over operating free-air temperature range, COLL output = 2.4 V to 24 V, VCC = 15 V, I_{COLL} = 10 mA, T_A = T_J = –55°C to 125°C (unless otherwise noted).

PARAMETER	TEST CONDITIONS	MIN	TYP	MAX	UNIT
Reference voltage tolerance	T _A = 25°C, V _{COLL} = 5 V	1.295	1.3	1.305	V
Reference temperature tolerance	V _{COLL} = 5 V	1.291	1.3	1.309	V
Reference line regulation	VCC = 2.4 V to 24 V, V _{COLL} = 5 V		10	38	mV
Reference load regulation	I _{COLL} = 10 mA TO 50 mA, V _{COLL} = 5 V		10	38	mV
Reference sink current				10	μA
Reference source current		-10			μA
EA input bias current		-0.5	-0.2		μA
EA input offset voltage		-4		4	mV
EA+ Operational voltage limitations		0.9		1.6	V
EA output current sink (internally limited)		16			μA
EA output current source				-0.8	mA
Minimum operating current	VCC = 24 V, V _{COLL} = 5 V		0.5	0.8	mA
Collector current limit ⁽¹⁾	V _{COLL} = VCC = 24 V, Ref = 1.3 V, ISET = GND		130	155	mA
Collector saturation	I _{COLL} = 20 mA	0.7	1.1	1.5	V
Transconductance (gm) ^{(1) (2)}	VCC = 2.4 V to 24 V, V _{COLL} = 3 V, ISET = GND	-170	-140	-110	mS
Error amplifier AVOL		60	90		dB
Error amplifier GBW		1.5	3		MHz
Transconductance amplifier GBW			3		MHz

(1) Programmed transconductance and collector current limit equations are specified in the ISET pin description.

(2) Measured as ΔI_{COLL}/ΔV_{COMP} for I_{COLL} = 5 mA to 20 mA.

PIN DESCRIPTIONS

COLL The collector of the output transistor with a maximum voltage of 24 V. This pin is the output of the transconductance amplifier. The overall open loop voltage gain of the transconductance amplifier is gm x R_L, where gm is designed to be –140 mS ±30 mS and R_L represents the output load.

COMP The output of the error amplifier and the input to the transconductance amplifier. This pin is available to compensate the high frequency gain of the error amplifier. It is internally voltage limited to approximately 2 V.

EA+ The non-inverting input to the error amplifier.

GND The reference and power ground for the device. The power ground of the output transistor is isolated on the chip from the substrate ground used to bias the remainder of the device.

ISET The current set pin for the transconductance amplifier. The transconductance will be –140 mS as specified in the electrical table if this pin is grounded. If a resistance, R_L, is added to the ISET pin, the resulting new transconductance is calculated using [Equation 1](#). The maximum current will be approximated by [Equation 2](#).

$$gm = \frac{-0.714}{(5.1 \Omega + R_L)} \quad (1)$$

$$I_{MAX} = \frac{0.65 V}{5.1 \Omega + R_L} \quad (2)$$

REF The output of the trimmed precision reference. It can source or sink 10 μA and still maintain less than ±1% output variation.

SENSE The inverting terminal of the error amplifier used as both the voltage sense input to the error amplifier and its other compensation point. The error amplifier uses the SENSE input to compare against the 1.3-V on-chip reference.

The SENSE pin is also used as the under-voltage lockout (UVLO). It is intended to keep the chip from operating until the internal reference is properly biased. The threshold is approximately 1 V. It is important that once the UVLO is released, the error amplifier can drive the transconductance amplifier to stabilize the loop. If a capacitor is connected between the SENSE and COMP pins to create a pole, it will limit the slew rate of the error amplifier. To increase the bandwidth and ensure startup a low load current, it is recommended to create a zero along with the pole as shown in the UC19431 shunt regulator application. The error amplifier must slew 2 V to drive the transconductance amplifier initially on.

VCC The power connection for the device. The minimum to maximum operating voltage is 2.4 V to 24 V. The quiescent current is typically 0.5 mA.

OVER-VOLTAGE COMPARATOR APPLICATION

The signal V_{IN} senses the input voltage. As long as the input voltage is less than 5.5 V, the output is equal to the voltage on V_{IN} . During this region of operation, the diode is reversed biased which keeps the EA+ pin at 1.3 V. When V_{IN} exceeds the over-voltage threshold of 5.5 V, the output is driven low. This forward biases the diode and creates hysteresis by changing the threshold to 4.5 V.

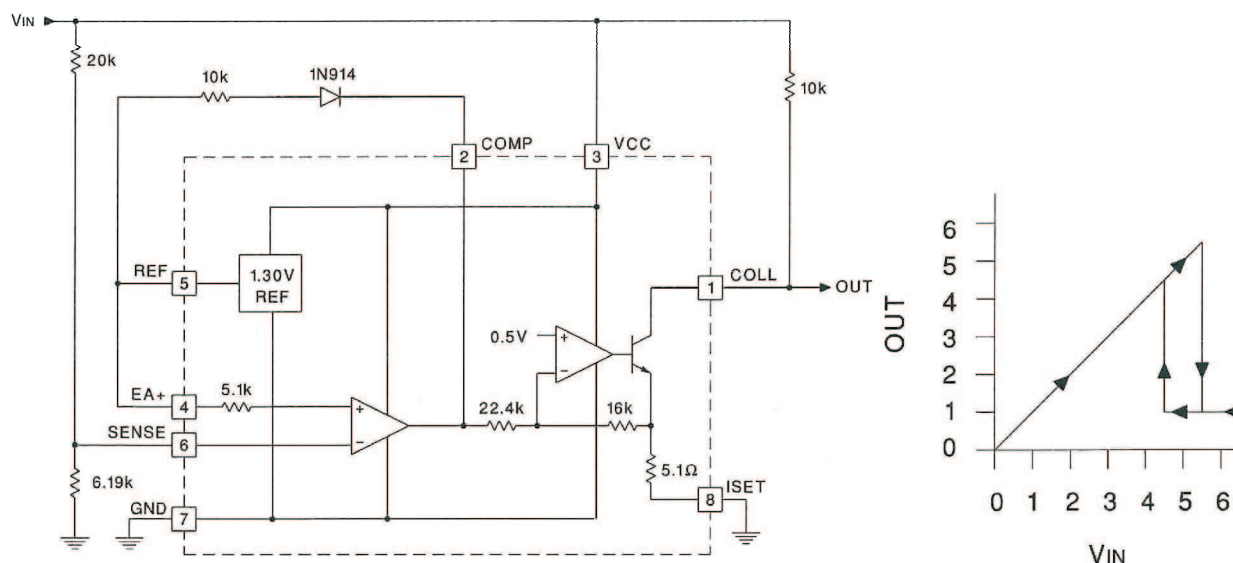


Figure 1. 5.5-V Over-Voltage Comparator With Hysteresis

OPTOCOPLER APPLICATION

The optocoupler application shown in Figure 2 takes advantage of the accessible pins REF and ISET. The ISET pin has a 33-Ω resistor to ground that protects the optocoupler by limiting the current to about 16 mA. This also lowers the transconductance to approximately 19 mS. The ability to adjust the transconductance gives the designer further control of the loop gain. The REF pin is available to satisfy any high precision voltage requirements.

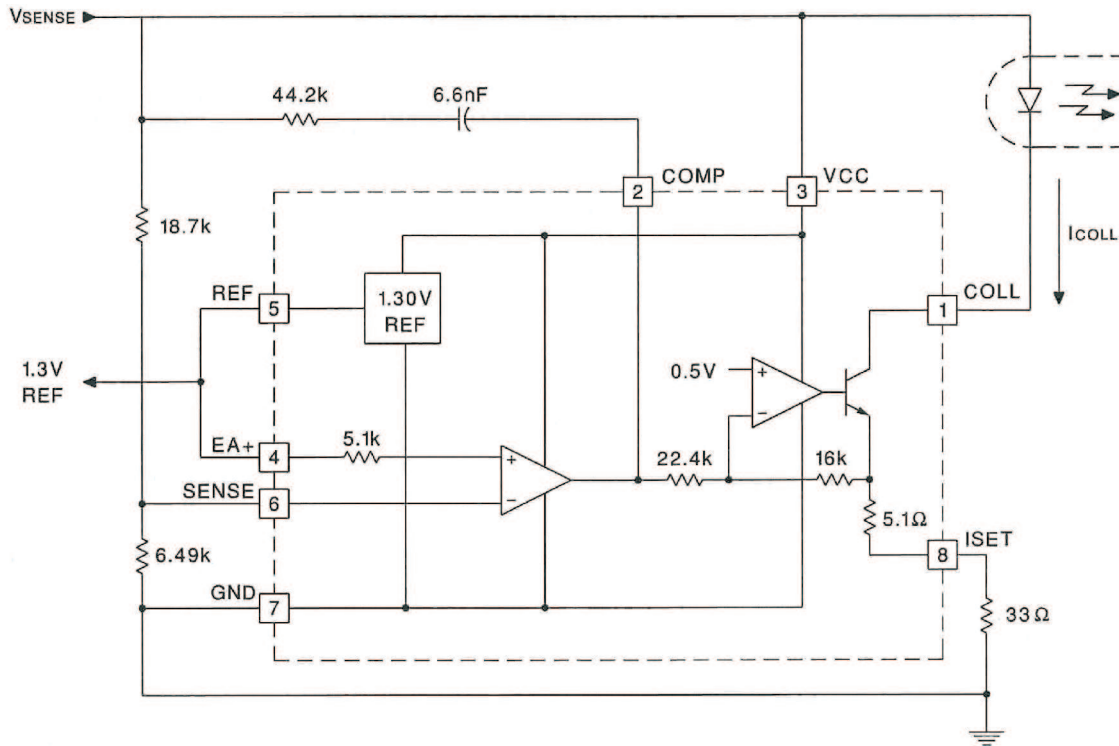


Figure 2. 5-V Optocoupler Application

PACKAGING INFORMATION

Orderable Device	Status ⁽¹⁾	Package Type	Package Drawing	Pins	Package Qty	Eco Plan ⁽²⁾	Lead/Ball Finish	MSL Peak Temp ⁽³⁾	Samples (Requires Login)
5962-0923301VPA	ACTIVE	CDIP	JG	8	1	TBD	A42	N / A for Pkg Type	

⁽¹⁾ The marketing status values are defined as follows:

ACTIVE: Product device recommended for new designs.

LIFEBUY: TI has announced that the device will be discontinued, and a lifetime-buy period is in effect.

NRND: Not recommended for new designs. Device is in production to support existing customers, but TI does not recommend using this part in a new design.

PREVIEW: Device has been announced but is not in production. Samples may or may not be available.

OBSOLETE: TI has discontinued the production of the device.

⁽²⁾ Eco Plan - The planned eco-friendly classification: Pb-Free (RoHS), Pb-Free (RoHS Exempt), or Green (RoHS & no Sb/Br) - please check <http://www.ti.com/productcontent> for the latest availability information and additional product content details.

TBD: The Pb-Free/Green conversion plan has not been defined.

Pb-Free (RoHS): TI's terms "Lead-Free" or "Pb-Free" mean semiconductor products that are compatible with the current RoHS requirements for all 6 substances, including the requirement that lead not exceed 0.1% by weight in homogeneous materials. Where designed to be soldered at high temperatures, TI Pb-Free products are suitable for use in specified lead-free processes.

Pb-Free (RoHS Exempt): This component has a RoHS exemption for either 1) lead-based flip-chip solder bumps used between the die and package, or 2) lead-based die adhesive used between the die and leadframe. The component is otherwise considered Pb-Free (RoHS compatible) as defined above.

Green (RoHS & no Sb/Br): TI defines "Green" to mean Pb-Free (RoHS compatible), and free of Bromine (Br) and Antimony (Sb) based flame retardants (Br or Sb do not exceed 0.1% by weight in homogeneous material)

⁽³⁾ MSL, Peak Temp. -- The Moisture Sensitivity Level rating according to the JEDEC industry standard classifications, and peak solder temperature.

Important Information and Disclaimer: The information provided on this page represents TI's knowledge and belief as of the date that it is provided. TI bases its knowledge and belief on information provided by third parties, and makes no representation or warranty as to the accuracy of such information. Efforts are underway to better integrate information from third parties. TI has taken and continues to take reasonable steps to provide representative and accurate information but may not have conducted destructive testing or chemical analysis on incoming materials and chemicals. TI and TI suppliers consider certain information to be proprietary, and thus CAS numbers and other limited information may not be available for release.

In no event shall TI's liability arising out of such information exceed the total purchase price of the TI part(s) at issue in this document sold by TI to Customer on an annual basis.

OTHER QUALIFIED VERSIONS OF UC19432-SP :

- Catalog: [UC19432](#)

NOTE: Qualified Version Definitions:

- Catalog - TI's standard catalog product

JG (R-GDIP-T8)

CERAMIC DUAL-IN-LINE



- NOTES: A. All linear dimensions are in inches (millimeters).
 B. This drawing is subject to change without notice.
 C. This package can be hermetically sealed with a ceramic lid using glass frit.
 D. Index point is provided on cap for terminal identification.
 E. Falls within MIL STD 1835 GDIP1-T8

IMPORTANT NOTICE

Texas Instruments Incorporated and its subsidiaries (TI) reserve the right to make corrections, enhancements, improvements and other changes to its semiconductor products and services per JESD46C and to discontinue any product or service per JESD48B. Buyers should obtain the latest relevant information before placing orders and should verify that such information is current and complete. All semiconductor products (also referred to herein as "components") are sold subject to TI's terms and conditions of sale supplied at the time of order acknowledgment.

TI warrants performance of its components to the specifications applicable at the time of sale, in accordance with the warranty in TI's terms and conditions of sale of semiconductor products. Testing and other quality control techniques are used to the extent TI deems necessary to support this warranty. Except where mandated by applicable law, testing of all parameters of each component is not necessarily performed.

TI assumes no liability for applications assistance or the design of Buyers' products. Buyers are responsible for their products and applications using TI components. To minimize the risks associated with Buyers' products and applications, Buyers should provide adequate design and operating safeguards.

TI does not warrant or represent that any license, either express or implied, is granted under any patent right, copyright, mask work right, or other intellectual property right relating to any combination, machine, or process in which TI components or services are used. Information published by TI regarding third-party products or services does not constitute a license to use such products or services or a warranty or endorsement thereof. Use of such information may require a license from a third party under the patents or other intellectual property of the third party, or a license from TI under the patents or other intellectual property of TI.

Reproduction of significant portions of TI information in TI data books or data sheets is permissible only if reproduction is without alteration and is accompanied by all associated warranties, conditions, limitations, and notices. TI is not responsible or liable for such altered documentation. Information of third parties may be subject to additional restrictions.

Resale of TI components or services with statements different from or beyond the parameters stated by TI for that component or service voids all express and any implied warranties for the associated TI component or service and is an unfair and deceptive business practice. TI is not responsible or liable for any such statements.

Buyer acknowledges and agrees that it is solely responsible for compliance with all legal, regulatory and safety-related requirements concerning its products, and any use of TI components in its applications, notwithstanding any applications-related information or support that may be provided by TI. Buyer represents and agrees that it has all the necessary expertise to create and implement safeguards which anticipate dangerous consequences of failures, monitor failures and their consequences, lessen the likelihood of failures that might cause harm and take appropriate remedial actions. Buyer will fully indemnify TI and its representatives against any damages arising out of the use of any TI components in safety-critical applications.

In some cases, TI components may be promoted specifically to facilitate safety-related applications. With such components, TI's goal is to help enable customers to design and create their own end-product solutions that meet applicable functional safety standards and requirements. Nonetheless, such components are subject to these terms.

No TI components are authorized for use in FDA Class III (or similar life-critical medical equipment) unless authorized officers of the parties have executed a special agreement specifically governing such use.

Only those TI components which TI has specifically designated as military grade or "enhanced plastic" are designed and intended for use in military/aerospace applications or environments. Buyer acknowledges and agrees that any military or aerospace use of TI components which have **not** been so designated is solely at the Buyer's risk, and that Buyer is solely responsible for compliance with all legal and regulatory requirements in connection with such use.

TI has specifically designated certain components which meet ISO/TS16949 requirements, mainly for automotive use. Components which have not been so designated are neither designed nor intended for automotive use; and TI will not be responsible for any failure of such components to meet such requirements.

Products

Audio	www.ti.com/audio
Amplifiers	amplifier.ti.com
Data Converters	dataconverter.ti.com
DLP® Products	www.dlp.com
DSP	dsp.ti.com
Clocks and Timers	www.ti.com/clocks
Interface	interface.ti.com
Logic	logic.ti.com
Power Mgmt	power.ti.com
Microcontrollers	microcontroller.ti.com
RFID	www.ti-rfid.com
OMAP Mobile Processors	www.ti.com/omap
Wireless Connectivity	www.ti.com/wirelessconnectivity

Applications

Automotive and Transportation	www.ti.com/automotive
Communications and Telecom	www.ti.com/communications
Computers and Peripherals	www.ti.com/computers
Consumer Electronics	www.ti.com/consumer-apps
Energy and Lighting	www.ti.com/energy
Industrial	www.ti.com/industrial
Medical	www.ti.com/medical
Security	www.ti.com/security
Space, Avionics and Defense	www.ti.com/space-avionics-defense
Video and Imaging	www.ti.com/video

TI E2E Community e2e.ti.com