

Frequency Synthesizer for Radio Tuning

Description

The U4256BM is a synthesizer IC for FM receiver and an AM up-conversion system in BICMOS technology. Together with the AM/FM IC U4255BM, it performs a complete AM/FM car radio front end, which is

recommended also for RDS (Radio Data System) applications. It is controlled by 3-wire bus and contains also switches and Digital to Analog Converters (DACs) for software controlled alignment of the AM/FM tuner.

Features

- Reference oscillator up to 15 MHz (tuned)
- Oscillator buffer output (for AM up/down conversion)
- Two programmable 16-bit dividers
- Fine-tuning steps possible
- Fast response time due to integrated loop push-pull stage
- 3-wire bus (enable, clock and data; 3 V and 5 V micro-controllers acceptable)
- Four programmable switching outputs (open drain)
- Three DACs for software controlled tuner alignment
- Low power consumption
- High S/N ratio
- Integrated band gap – only one supply voltage necessary

Block Diagram

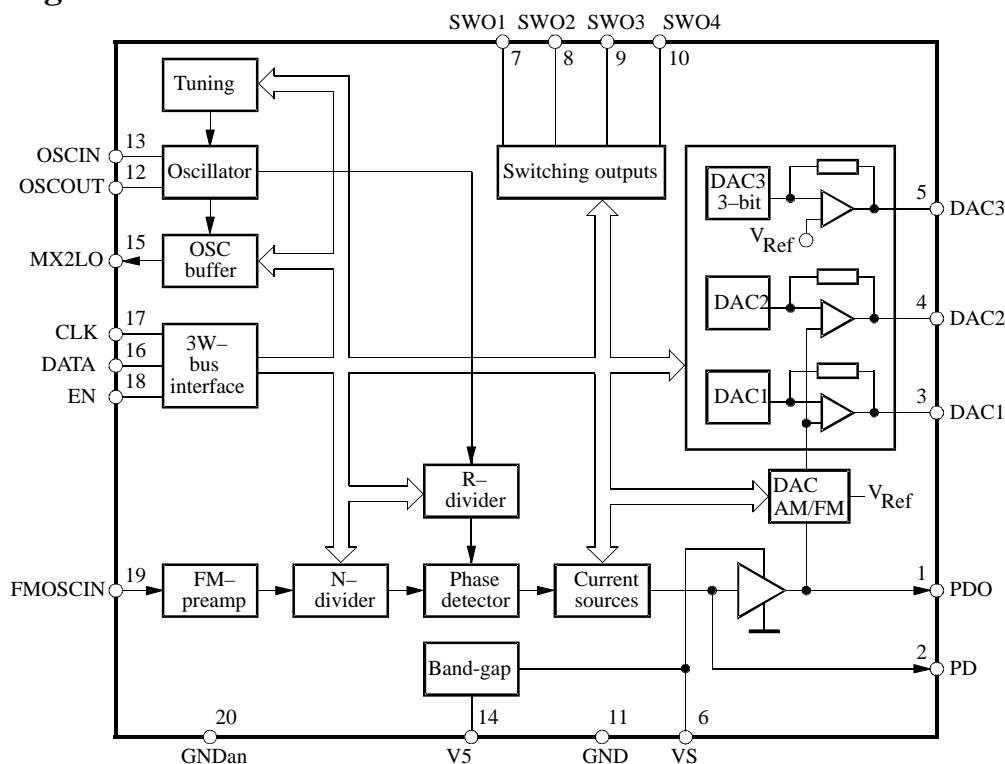


Figure 1. Block diagram

Ordering Information

| Extended Type Number | Package | Remarks |
|----------------------|---------|------------------|
| U4256BM-NFS | SSO20 | Tube |
| U4256BM-NFSG3 | SSO20 | Taped and reeled |

Pin Description

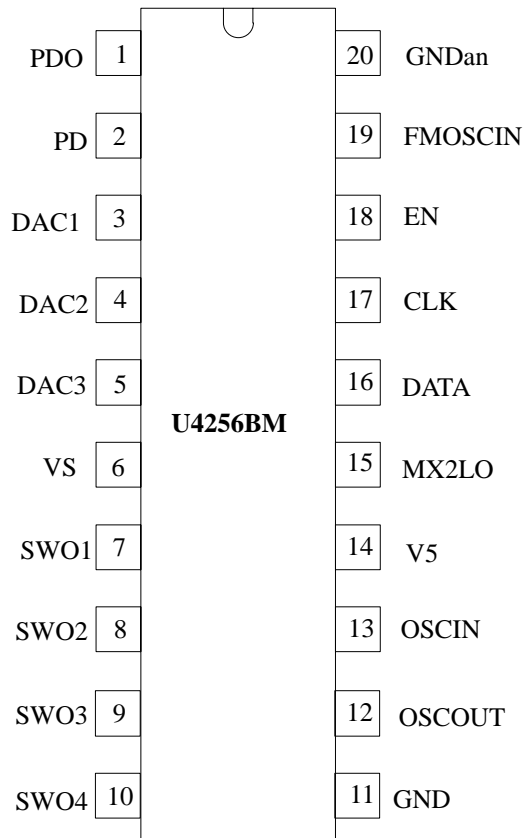


Figure 2. Pinning

| Pin | Symbol | Function |
|-----|---------|-------------------------------|
| 1 | PDO | Phase detector output |
| 2 | PD | Pulsed current output |
| 3 | DAC1 | Digital-to-analog converter 1 |
| 4 | DAC2 | Digital-to-analog converter 2 |
| 5 | DAC3 | Digital-to-analog converter 3 |
| 6 | VS | Supply voltage analog part |
| 7 | SWO1 | Switching output 1 |
| 8 | SWO2 | Switching output 2 |
| 9 | SWO3 | Switching output 3 |
| 10 | SWO4 | Switching output 4 |
| 11 | GND | Ground, digital part |
| 12 | OSCOUT | Reference oscillator output |
| 13 | OSCIN | Reference oscillator input |
| 14 | V5 | Capacitor band gap |
| 15 | MX2LO | Oscillator buffer output |
| 16 | DATA | Data input |
| 17 | CLK | Clock |
| 18 | EN | Enable |
| 19 | FMOSCIN | FM-oscillator input |
| 20 | GNDan | Ground, analog part |

Functional Description

For a tuned FM – broadcast receiver, the following parts are needed:

- voltage-controlled oscillator (VCO)
- antenna amplifier tuned circuit
- RF amplifier tuned circuit

Typical modern receivers with electronic tuning are tuned to the desired FM frequency by the frequency synthesizer IC U4256BM. The special design allows to build software-controlled tuner alignment systems. Two programmable DACs (Digital-to-Analog Converter) support the computer-controlled alignment. The output of the PLL is a tuning voltage which is connected to the VCO of the receiver IC. The output of the VCO is equal to the desired station frequency plus the IF (10.7 MHz). The RF and the oscillator signal (VCO) are both input to the mixer that translates the desired FM channel signal to the fixed IF signal. For FM, the double-conversion system of the receiver requires exactly 10.7 MHz for the first IF frequency, which determines the center frequency of the software-controlled integrated second IF filter.

If this oscillator tuning feature is not used, the internal capacities have to be switched off and the oscillator has to be operated with high-quality external capacities to ensure that the operational frequency is exactly 10.250 MHz.

When dimensioning the oscillator circuit, it is important that the additional capacities enable the oscillator to operate through its complete tracking range. The oscillating ability depends very strongly on the used crystal oscillator. Initializing the oscillator should be established without switching any additional capacities to guarantee that the oscillator starts to operate properly. Due to the lower quality of the integrated capacities compared to discrete capacities, the amount of the switched integrated capacities should always be minimized. (if necessary reduce tracking range or use another crystal oscillator)

The U4256BM has a very fast response time of maximum 800 μs (at 2 mA, fref = 100 kHz, measured on MPX signal). It performs a high signal to noise ratio.

Only one supply voltage is necessary, due to a integrated band gap.

Absolute Maximum Ratings

All voltages are referred to GND (Pin 11)

| Parameters | | Symbol | Value | Unit |
|--|---------------------|-----------|-------------|------|
| Analog supply voltage | Pin 6 | V_S | 8 to 15 | V |
| Input voltage BUS | Pins 16, 17 and 18 | V_I | -0.3 to +12 | V |
| Output current switches (see figure 10) | Pins 7, 8, 9 and 10 | I_O | -1 to +5 | mA |
| Drain voltage switches | Pins 7, 8, 9 and 10 | V_{OD} | 15 | V |
| Ambient temperature range | | T_{amb} | -40 to +85 | °C |
| Storage temperature range | | T_{stg} | -40 to +125 | °C |
| Junction temperature | | T_j | 125 | °C |
| Electrostatic handling | | V_{ESD} | t.b.d. | V |

Thermal Resistance

| Parameters | | Symbol | Value | Unit |
|------------------|----------------------|------------|-------|------|
| Junction ambient | when soldered to PCB | R_{thJA} | 140 | K/W |

Operating Range

All voltages are referred to GND (Pin 11)

| Parameter | | Symbol | Min. | Typ. | Max. | Unit |
|------------------------------|----------------|-----------|------|------|-------|------|
| Supply voltage range | Pin 6 | V_S | 8 | 8.5 | 14 | V |
| Ambient temperature | | T_{amb} | -40 | | +85 | °C |
| Input frequency FMOSCIN | Pin 19 | f_{in} | 70 | | 160 | MHz |
| Programmable N, R divider | | SF | 2 | | 65535 | |
| Crystal reference oscillator | Pins 12 and 13 | fXTAL | 0.1 | | 15 | MHz |

Electrical Characteristics

Test conditions (unless otherwise specified): $V_S = +8.5$ V, $T_{amb} = +25$ °C

| Parameters | Test Conditions / Pins | Symbol | Min. | Typ. | Max. | Unit |
|---------------------------|--------------------------|-------------|------|------|------|-------------------|
| Supply voltage | | | | | | |
| Pin 6 | | | | | | |
| Analog supply voltage | | V_S | 8 | 8.5 | 12 | V |
| Supply current | | | | | | |
| Pin 20 | | | | | | |
| Analog supply current | | I_S | 4.5 | 10 | 20 | mA |
| OSCIN | | | | | | |
| Pin 13 | | | | | | |
| Input voltage | f = 0.1 to 15 MHz | OSC | 100 | | | mV _{rms} |
| OSC buffer (MX2LO) | | | | | | |
| Pin 15 | | | | | | |
| Output AC voltage | At Pin15: 47 pF and 1 kΩ | V_{MX2LO} | 80 | 120 | 200 | mV _{pp} |
| Output DC voltage | | V_{MX2LO} | 1.6 | 1.9 | 2.1 | V |
| FMOSCIN | | | | | | |
| Pin 19 | | | | | | |
| Input voltage | f = 70 to 120 MHz | FMOSC | 40 | | | mV _{rms} |
| | f = 120 to 160 MHz | FMOSC | 150 | | | mV _{rms} |

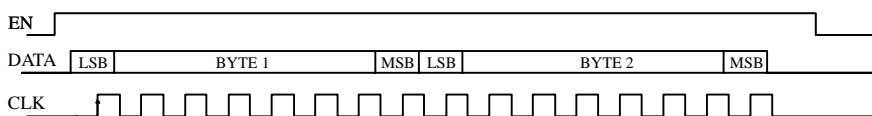
Electrical Characteristics (continued)

Test conditions (unless otherwise specified): $V_S = +8.5\text{ V}$, $T_{amb} = +25^\circ\text{C}$

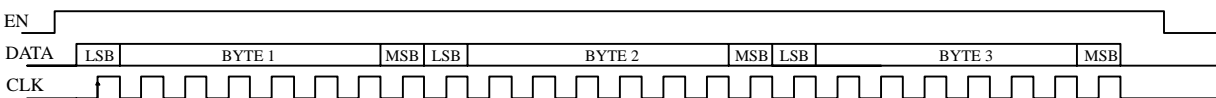
| Parameters | Test Conditions / Pins | Symbol | Min. | Typ. | Max. | Unit |
|--|------------------------|--------------------------|------|------|--------------------|--------|
| Pulsed current output PD | | | | | | |
| Pin 2 | | | | | | |
| Output current Bit 71, 70 = '00' | PD = 2.5 V | ± IPD | 20 | 25 | 30 | μA |
| Output current Bit 71, 70 = '001' | | | 80 | 100 | 120 | μA |
| Output current Bit 71, 70 = '10' | | | 400 | 500 | 600 | μA |
| Output current Bit 71, 70 = '11' | | | 1600 | 2000 | 2400 | μA |
| Leakage current | PD = 2.5 V | ± IPDL | | | 20 | nA |
| PDO | | | | | | |
| Pin 1 | | | | | | |
| Saturation voltage HIGH LOW | I = 15 mA | V_{PDOH} V_{PDOL} | 0.1 | 0.2 | $V_S - 0.5$ 0.4 | V V |
| | | | | | | |
| SWO1, SWO2, SWO3, SWO4 (open drain) Pins 7, 8, 9 and 10 | | | | | | |
| Output leakage current HIGH | V7,8,9,10 = 8.5 V | I_{SWOH} | | | 100 | nA |
| Output voltage LOW | I = 1 mA | V_{SWOL} | | 100 | 400 | mV |
| DAC1, DAC2 | | | | | | |
| Pins 3 and 4 | | | | | | |
| Output current | | $I_{DAC1,2}$ | | | ± 1 | mA |
| Output voltage | | $V_{DAC1,2}$ | 0.3 | | $V_S - 0.5$ | V |
| Gain range (resolution 256 steps) | | | 0.6 | | 2.3 | |
| Offset range (resolution 24 steps) | | | -0.6 | | 0.7 | V |
| DAC 3 | | | | | | |
| Pin 5 | | | | | | |
| Output current | | I_{DAC3} | | | ± 1 | mA |
| Output voltage (resolution 16 steps) | | V_{DAC3} | 0.25 | | 6 | V |

3-Wire Bus Description

16-bit command



24-bit command



e.g., Divider

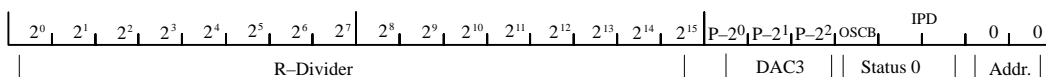


Figure 3. Pulse diagram

Data Transfer

A

| MSB | | Byte 3 | | | | | LSB | MSB | | BYTE 2 | | | | | LSB | MSB | | BYTE 1 | | | | | LSB |
|------|---|----------|-----|----------------------------|------------------|------------------|------------------|-----------------|-----------------|-----------------|-----------------|-----------------|-----------------|----------------|----------------|----------------|----------------|----------------|----------------|----------------|----------------|----------------|----------------|
| ADDR | | STATUS 0 | | | DAC3 | | | R - DIVIDER | | | | | | | | | | | | | | | |
| 0 | 0 | IPD | | OSCB 0 = on, 1 = off | P-2 ² | P-2 ¹ | P-2 ⁰ | 2 ¹⁵ | 2 ¹⁴ | 2 ¹³ | 2 ¹² | 2 ¹¹ | 2 ¹⁰ | 2 ⁹ | 2 ⁸ | 2 ⁷ | 2 ⁶ | 2 ⁵ | 2 ⁴ | 2 ³ | 2 ² | 2 ¹ | 2 ⁰ |
| | | B71 | B70 | B69 | B68 | B67 | B66 | B65 | B64 | B63 | B62 | B61 | B60 | B59 | B58 | B57 | B56 | B55 | B54 | B53 | B52 | B51 | B50 |

B

| MSB | | Byte 3 | | | | | LSB | MSB | | BYTE 2 | | | | | LSB | MSB | | BYTE 1 | | | | | LSB |
|------|---|----------|---------------------|------------------------|------------------------|------------------------|------------------------|-----------------|-----------------|-----------------|-----------------|-----------------|-----------------|----------------|----------------|----------------|----------------|----------------|----------------|----------------|----------------|----------------|----------------|
| ADDR | | STATUS 1 | | | | | | N - DIVIDER | | | | | | | | | | | | | | | |
| 0 | 1 | 0 | AM=1 FM=0 DAC | SWO4 1=off, 0=on | SWO3 1=off, 0=on | SWO2 1=off, 0=on | SWO1 1=off, 0=on | 2 ¹⁵ | 2 ¹⁴ | 2 ¹³ | 2 ¹² | 2 ¹¹ | 2 ¹⁰ | 2 ⁹ | 2 ⁸ | 2 ⁷ | 2 ⁶ | 2 ⁵ | 2 ⁴ | 2 ³ | 2 ² | 2 ¹ | 2 ⁰ |
| | | B35 | B34 | B33 | B32 | B31 | B30 | B29 | B28 | B27 | B25 | B24 | B23 | B22 | B22 | B21 | B20 | B19 | B18 | B17 | B16 | B15 | B14 |

C

| MSB | | BYTE 2 | | | | | LSB | MSB | | BYTE 1 | | | | | LSB |
|------|---|------------------|------------------|------------------|------------------|------------------|------------------|------------------|------------------|------------------|------------------|------------------|------------------|------------------|------------------|
| ADDR | | DAC1 OFFSET | | | | | | DAC1 GAIN | | | | | | | |
| 0 | 0 | O-2 ⁵ | O-2 ⁴ | O-2 ³ | O-2 ² | O-2 ¹ | O-2 ⁰ | G-2 ⁷ | G-2 ⁶ | G-2 ⁵ | G-2 ⁴ | G-2 ³ | G-2 ² | G-2 ¹ | G-2 ⁰ |
| | | B49 | B48 | B47 | B46 | B45 | B44 | B43 | B42 | B41 | B40 | B39 | B38 | B37 | B36 |

D

| MSB | | BYTE 2 | | | | | LSB | MSB | | BYTE 1 | | | | | LSB |
|------|---|------------------|------------------|------------------|------------------|------------------|------------------|------------------|------------------|------------------|------------------|------------------|------------------|------------------|------------------|
| ADDR | | DAC2 OFFSET | | | | | | DAC2 GAIN | | | | | | | |
| 0 | 1 | O-2 ⁵ | O-2 ⁴ | O-2 ³ | O-2 ² | O-2 ¹ | O-2 ⁰ | G-2 ⁷ | G-2 ⁶ | G-2 ⁵ | G-2 ⁴ | G-2 ³ | G-2 ² | G-2 ¹ | G-2 ⁰ |
| | | B13 | B12 | B11 | B10 | B9 | B8 | B7 | B6 | B5 | B4 | B3 | B2 | B1 | B0 |

E

| MSB | | BYTE 2 | | | | | LSB | MSB | | BYTE 1 | | | | | LSB |
|------|---|----------------------------|------|------|-----|-----|-----|----------|-------|--------|-----|-----|-----|-----|-----|
| ADDR | | Oscillator tuning function | | | | | | Not used | | | | | | | |
| 1 | 0 | 8pF | 32pF | 16pF | 8pF | 4pF | 2pF | 1pF | 0.5pF | X | X | X | X | X | X |
| | | B85 | B84 | B83 | B82 | B81 | B80 | B79 | B78 | B77 | B76 | B75 | B74 | B73 | B72 |

Timing Information

| Parameters | | Test Conditions / Pins | Symbol | Min. | Typ. | Max. | Unit |
|--|------|------------------------|------------|------|------|------|------|
| 3-wire bus, ENABLE, DATA, CLOCK Pins 16, 17, 18 | | | | | | | |
| Input voltage | HIGH | | V_{BUSH} | 2.0 | | | V |
| | LOW | | V_{BUSL} | | | 1.0 | V |
| Clock frequency | | | | | | 1.0 | MHz |
| Period of CLK | HIGH | | t_H | 250 | | | ns |
| | LOW | | t_L | 250 | | | ns |
| Rise time EN, DATA, CLK | | | t_r | | | 400 | ns |
| Fall time EN, DATA, CLK | | | t_f | | | 100 | ns |
| Set-up time | | | t_s | 100 | | | ns |
| Hold time EN | | | t_{HEN} | 250 | | | ns |
| Hold time DATA | | | t_{HDA} | 0 | | | ns |

Bus Timing

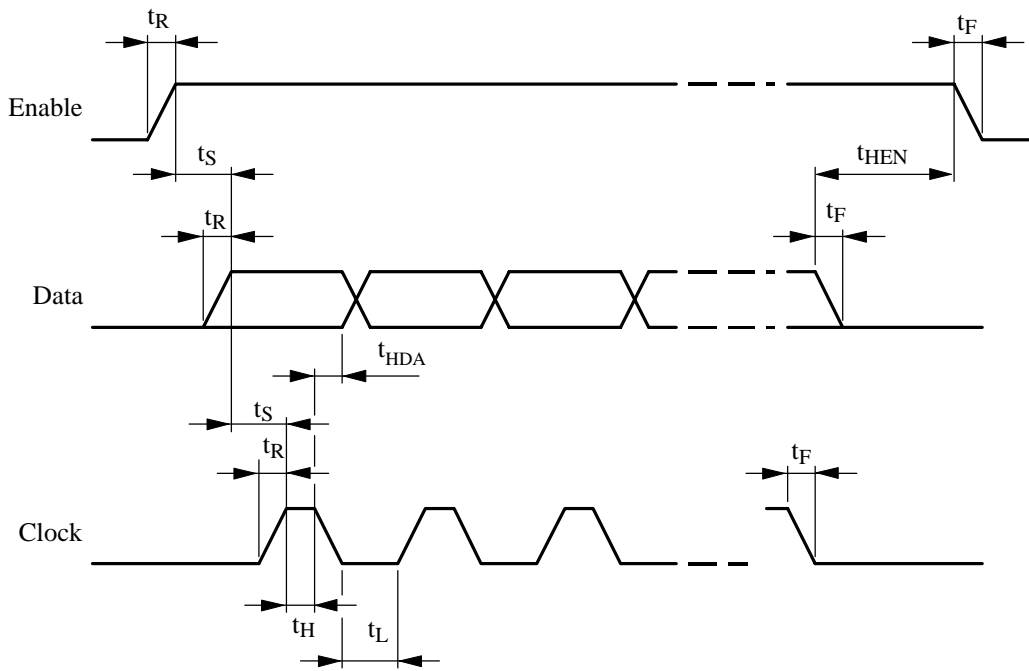


Figure 4. Bus timing

Bus Control

The charge-pump current can be chosen by setting the Bits 71 and 70 as following:

| IPD (μA) | B71 | B70 |
|----------|-----|-----|
| 25 | 0 | 0 |
| 100 | 0 | 1 |
| 500 | 1 | 0 |
| 2000 | 1 | 1 |

The oscillator buffer output can be switched by the OSCB Bit as following (Bit 69):

| MX2LO AC Voltage | B69 |
|------------------|-----|
| ON | 0 |
| OFF | 1 |

The DAC3 output voltage can be controlled by the Bits P-2⁰ to P-2² (Bits 66 to 68) as following:

| DAC3 Offset Approx. | B68 | B67 | B66 |
|---------------------|-----|-----|-----|
| 0.5 V | 0 | 0 | 0 |
| 1.1 V | 0 | 0 | 1 |
| 1.8 V | 0 | 1 | 0 |
| 2.4 V | 0 | 1 | 1 |
| 3.1 V | 1 | 0 | 0 |
| 3.7 V | 1 | 0 | 1 |
| 4.4 V | 1 | 1 | 0 |
| 5.0 V | 1 | 1 | 1 |

The switching output SWO1 to SWO4 can be controlled as following (Bits 30 to 33):

| Switch Output | B29 + X |
|--|---------|
| SWO _x = ON (switch to GND) | 0 |
| SWO _x = OFF | 1 |

The DAC mode can be controlled by setting the Bit 34 as following:

| DAC Mode | B34 |
|----------|-----|
| FM | 0 |
| AM | 1 |

The gains of DAC1 and DAC2 have a range of 0.7 x V(PDO) to 2.15 x V(PDO). V(PDO) is the PLL tuning voltage output. This range is divided into 256 steps. So one step is approximately (2.15-0.7)/256 = 5.664 m. The gain can be controlled by the Bits 36 to 43 (G-2⁰ to G-2⁷) as following:

| Gain DAC1 Approx. | B43 | B42 | B41 | B40 | B39 | B38 | B37 | B36 |
|-------------------|-----|-----|-----|-----|-----|-----|-----|-----|
| 0.7 | 0 | 0 | 0 | 0 | 0 | 0 | 0 | 0 |
| 0.70566 | 0 | 0 | 0 | 0 | 0 | 0 | 0 | 1 |
| 0.71133 | 0 | 0 | 0 | 0 | 0 | 0 | 1 | 0 |
| 0.71699 | 0 | 0 | 0 | 0 | 0 | 0 | 1 | 1 |
| ... | ... | ... | ... | ... | ... | ... | ... | ... |
| 1.00019 | 0 | 0 | 1 | 1 | 0 | 1 | 0 | 1 |
| ... | ... | ... | ... | ... | ... | ... | ... | ... |
| 2.1386 | 1 | 1 | 1 | 1 | 1 | 1 | 0 | 1 |
| 2.14434 | 1 | 1 | 1 | 1 | 1 | 1 | 1 | 0 |
| 2.15 | 1 | 1 | 1 | 1 | 1 | 1 | 1 | 1 |

The offset of DAC1 has a range of 0.5 V to -0.6 V. This range is divided into 64 steps. So one step is approximately 1.1V/63 = 17.2 m. The offset can be controlled by the Bits 44 to 49 (O-2⁰ to O-2⁵) as following:

| Offset DAC1 Approx. [V] | B49 | B48 | B47 | B46 | B45 | B44 |
|-------------------------|-----|-----|-----|-----|-----|-----|
| 0.5 | 0 | 0 | 0 | 0 | 0 | 0 |
| 0.4828 | 0 | 0 | 0 | 0 | 0 | 1 |
| 0.4656 | 0 | 0 | 0 | 0 | 1 | 0 |
| 0.4484 | 0 | 0 | 0 | 0 | 1 | 1 |
| ... | ... | ... | ... | ... | ... | ... |
| -0.0156 | 0 | 1 | 1 | 1 | 1 | 0 |
| ... | ... | ... | ... | ... | ... | ... |
| 0.5656 | 1 | 1 | 1 | 1 | 0 | 1 |
| -0.5828 | 1 | 1 | 1 | 1 | 1 | 0 |
| -0.6 | 1 | 1 | 1 | 1 | 1 | 1 |

The tuning capacity for the crystal oscillator has a range of 0.5 pF to 71.5 pF. The values are coded binary. The tuning can be controlled by the Bits 78 to 85 as following:

| B85=0 pF | B85=1 pF | B84 | B83 | B82 | B81 | B80 | B79 | B78 |
|----------|----------|-----|-----|-----|-----|-----|-----|-----|
| 0 | 8.0 | 1 | 1 | 1 | 1 | 1 | 1 | 1 |
| 0.5 | 8.5 | 1 | 1 | 1 | 1 | 1 | 1 | 0 |
| 1.0 | 9.0 | 1 | 1 | 1 | 1 | 1 | 0 | 1 |
| 1.5 | 19.5 | 1 | 1 | 1 | 1 | 1 | 0 | 0 |
| ... | ... | ... | ... | ... | ... | ... | ... | ... |
| 63.0 | 71.0 | 0 | 0 | 0 | 0 | 0 | 0 | 0 |
| 63.5 | 71.5 | 0 | 0 | 0 | 0 | 0 | 0 | 0 |

The gain of DAC2 has a range of $0.7 \times V(\text{PDO})$ to $2.15 \times V(\text{PDO})$. $V(\text{PDO})$ is the PLL tuning voltage output. This range is divided into 256 steps. So one step is approximately $(2.15 - 0.7) / 256 = 5.664 \text{ m}$. The gain can be controlled by the bits 0 to 7 ($G-2^0$ to $G-2^7$) as following:

| Gain DAC2 Approx. | B7 | B6 | B5 | B4 | B3 | B2 | B1 | B0 |
|-------------------|-----|-----|-----|-----|-----|-----|-----|-----|
| 0.7 | 0 | 0 | 0 | 0 | 0 | 0 | 0 | 0 |
| 0.70566 | 0 | 0 | 0 | 0 | 0 | 0 | 0 | 1 |
| 0.71133 | 0 | 0 | 0 | 0 | 0 | 0 | 1 | 0 |
| 0.71699 | 0 | 0 | 0 | 0 | 0 | 0 | 1 | 1 |
| ... | ... | ... | ... | ... | ... | ... | ... | ... |
| 1.00019 | 0 | 0 | 1 | 1 | 0 | 1 | 0 | 1 |
| ... | ... | ... | ... | ... | ... | ... | ... | ... |
| 2.1386 | 1 | 1 | 1 | 1 | 1 | 1 | 0 | 1 |
| 2.14434 | 1 | 1 | 1 | 1 | 1 | 1 | 1 | 0 |
| 2.15 m | 1 | 1 | 1 | 1 | 1 | 1 | 1 | 1 |

The offset of DAC2 has a range of 0.5 to -0.6 . This range is divided into 64 steps. So one step is approximately $1.1\text{V}/63 = 17.2 \text{ m}$. The offset can be controlled by the Bits 8 to 13 ($O-2^0$ to $O-2^5$) as following:

| Offset DAC2 Approx. | B13 | B12 | B11 | B10 | B9 | B8 |
|---------------------|-----|-----|-----|-----|-----|-----|
| 0.5 | 0 | 0 | 0 | 0 | 0 | 0 |
| 0.4828 | 0 | 0 | 0 | 0 | 0 | 1 |
| 0.4656 | 0 | 0 | 0 | 0 | 1 | 0 |
| 0.4484 | 0 | 0 | 0 | 0 | 1 | 1 |
| ... | ... | ... | ... | ... | ... | ... |
| -0.0156 | 0 | 1 | 1 | 1 | 1 | 0 |
| ... | ... | ... | ... | ... | ... | ... |
| 0.5656 | 1 | 1 | 1 | 1 | 0 | 1 |
| -0.5828 | 1 | 1 | 1 | 1 | 1 | 0 |
| -0.6 | 1 | 1 | 1 | 1 | 1 | 1 |

Input / Output Interface Circuits

PDO

PDO is the loop amplifier output of the PLL. The bipolar output stage is a rail-to-rail amplifier.

PD

PD is the current charge pump output of the PLL. The current can be controlled by setting the Bits. The loop filter has to be designed corresponding to the chosen pump current and the internal reference frequency. A recommendation can be found in the application circuit.

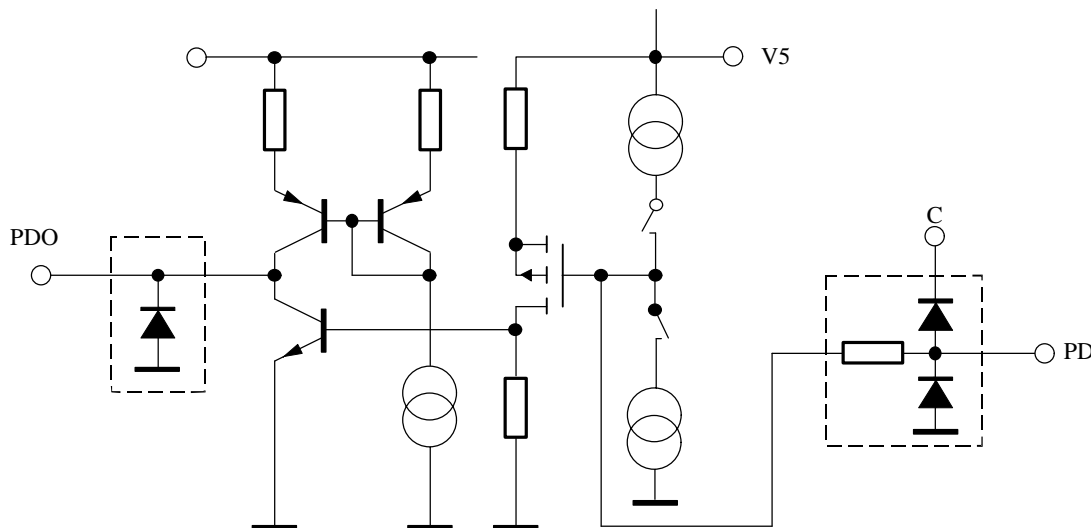


Figure 5.

FMOSCIN

FMOSCIN is the preamplifier input for the FM oscillator signal.

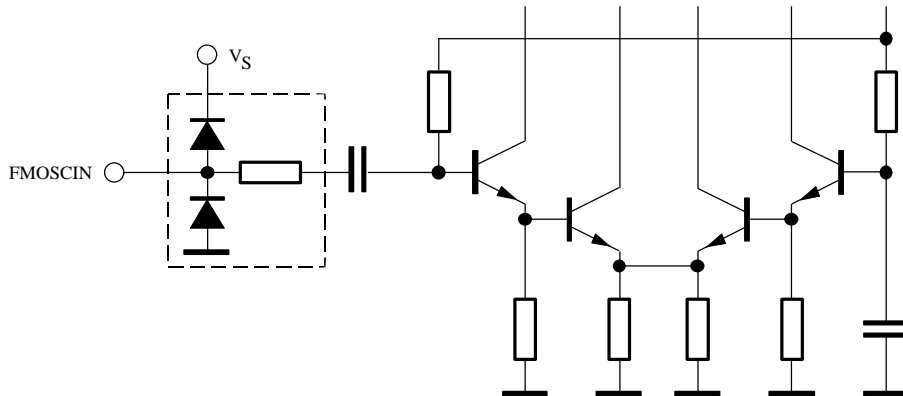


Figure 6.

MX2LO

MX2LO is the buffered output of the crystal oscillator. This signal can be used as a reference frequency for U4255BM.

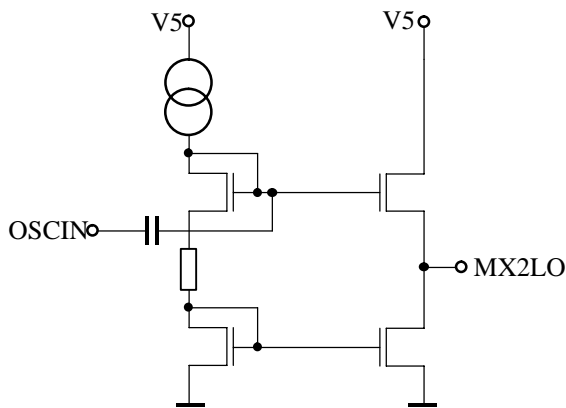


Figure 7.

EN, DATA, CLK

All functions can be controlled via a 3-wire bus consisting of ENABLE, DATA and CLOCK. The bus is designed for microcontrollers which operate with 3 V supply voltage. Details of the data transfer protocol are shown in the table 'Data Transfer'.

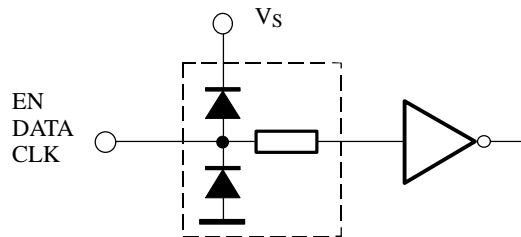


Figure 9.

DAC 1, 2 and 3

DAC 1 to 3 are the outputs for automatic tuner alignment.

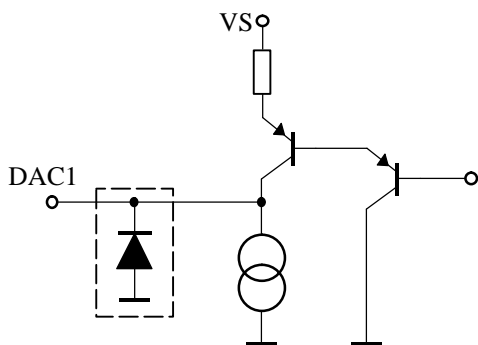


Figure 8.

SWO1, 2, 3 and 4

All switching outputs are 'open drain' and can be set and reset by software control. Details are described in the data transfer protocol.

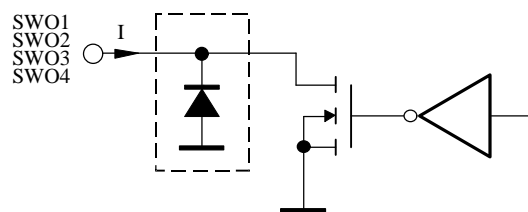


Figure 10.

OSCIN, OSCOUT

A crystal resonator (up to 15 MHz) is connected between OSCIN and OSCOUT in order to generate the reference frequency. By using the U4256BM in connection with U4255BM the crystal frequency must be 10.25 MHz. The complete application circuit is shown in figure 15. If a reference is available, it can be applied at OSCIN. The minimum voltage should be 100mVrms. In this case, pin OSCOUT has to be open.

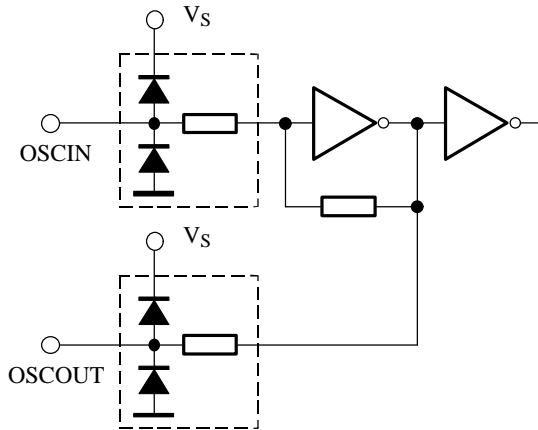


Figure 11.

Application Information

Function of DAC1, 2 in FM Mode

For automatic tuner alignment, the DAC1 and 2 of the U4256BM can be controlled by setting gain of VPDO and offset values. The following figure shows the principle of the operation. The gain is in the range of 0.7 to 2.15. The offset range is +0.5 V to -0.6 V. For alignment, DAC1 and 2 are connected to the varicaps of the preselection filters. For alignment, offset and gain is set for having the best tuner tracking.

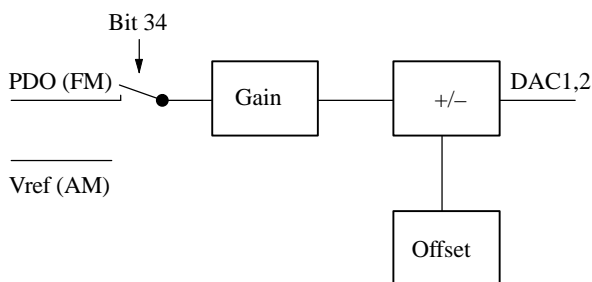


Figure 12.

Function of DAC1, 2 in AM Mode

If Bit 94 = 1, the DAC1, 2 can be used as standard DAC converters. The resolution of 8 bit is controlled via the gain bits in a range of approximately 0.5 V to 7 V, depending on the offset value.

FMOSCIN Sensitivity

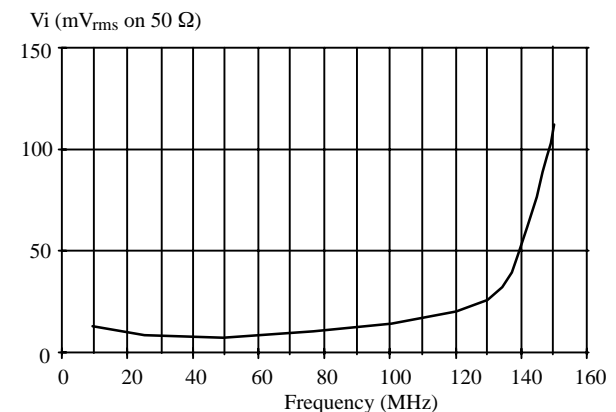


Figure 13.

Oscillator Tuning Function Schematic

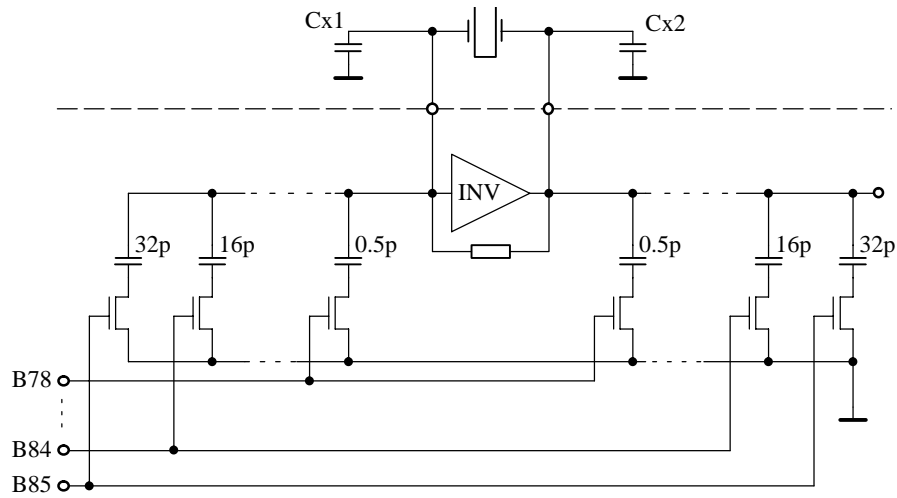


Figure 14.

Application Circuit

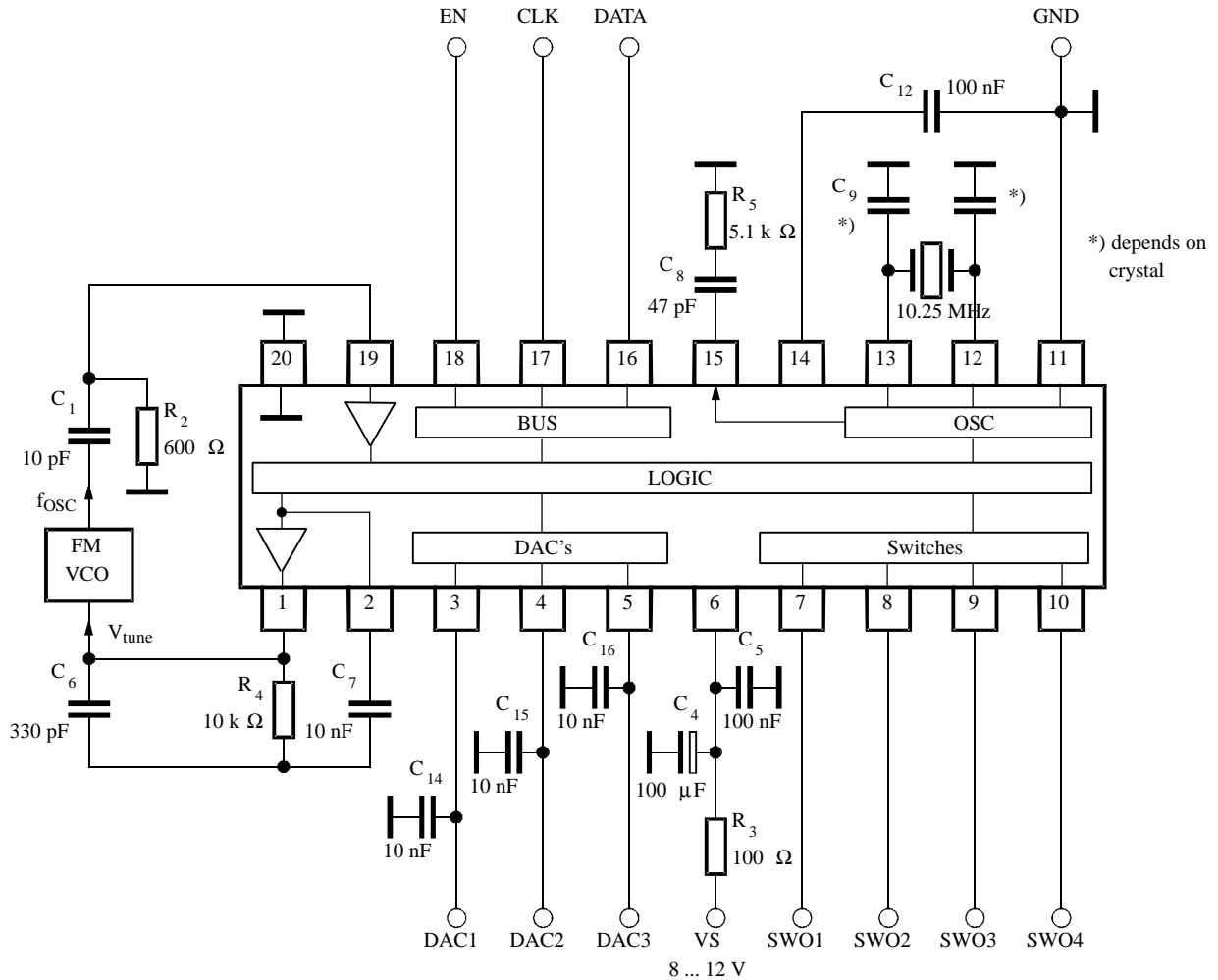


Figure 15. Application circuit

Application Board Schematic

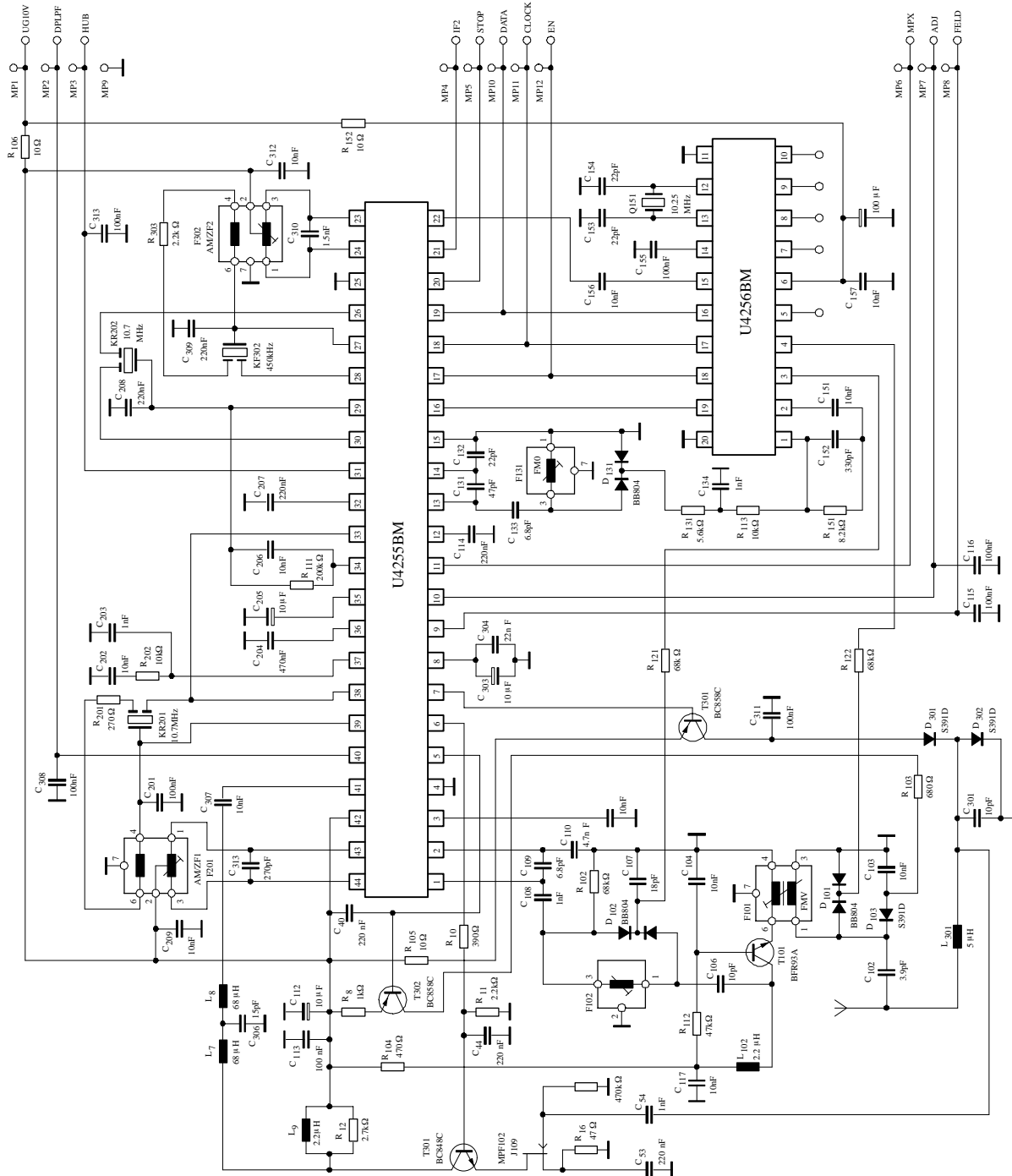
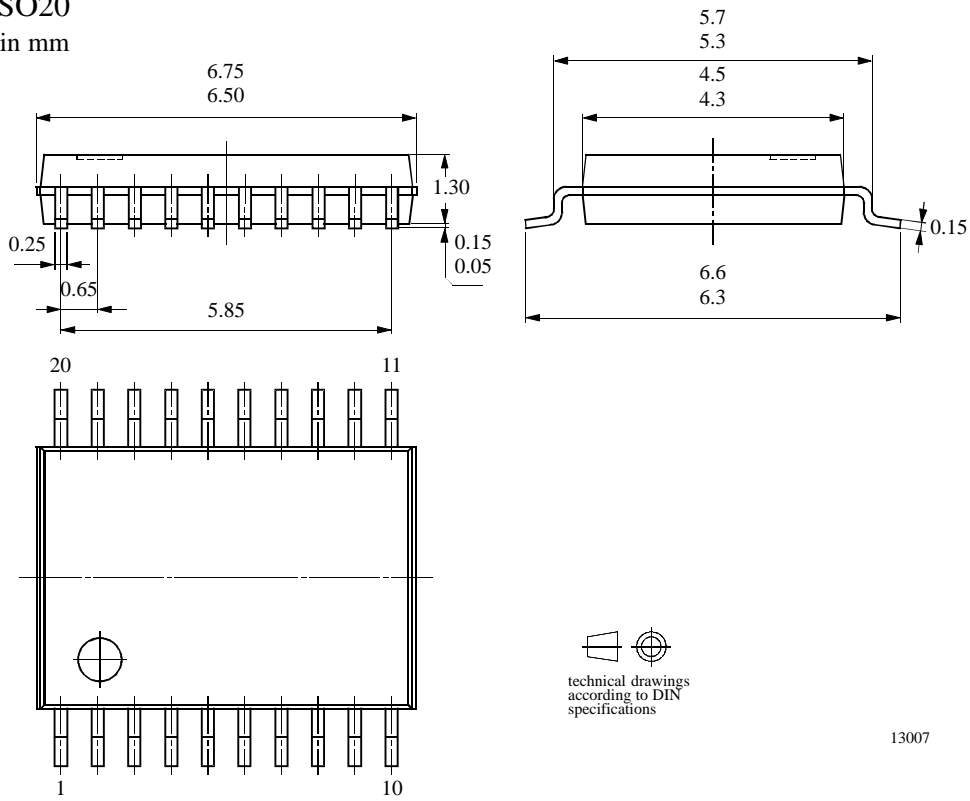


Figure 16. Application board schematic

Package Information

Package SSO20

Dimensions in mm



13007

Ozone Depleting Substances Policy Statement

It is the policy of **Atmel Germany GmbH** to

1. Meet all present and future national and international statutory requirements.
2. Regularly and continuously improve the performance of our products, processes, distribution and operating systems with respect to their impact on the health and safety of our employees and the public, as well as their impact on the environment.

It is particular concern to control or eliminate releases of those substances into the atmosphere which are known as ozone depleting substances (ODSs).

The Montreal Protocol (1987) and its London Amendments (1990) intend to severely restrict the use of ODSs and forbid their use within the next ten years. Various national and international initiatives are pressing for an earlier ban on these substances.

Atmel Germany GmbH has been able to use its policy of continuous improvements to eliminate the use of ODSs listed in the following documents.

1. Annex A, B and list of transitional substances of the Montreal Protocol and the London Amendments respectively
2. Class I and II ozone depleting substances in the Clean Air Act Amendments of 1990 by the Environmental Protection Agency (EPA) in the USA
3. Council Decision 88/540/EEC and 91/690/EEC Annex A, B and C (transitional substances) respectively.

Atmel Germany GmbH can certify that our semiconductors are not manufactured with ozone depleting substances and do not contain such substances.

We reserve the right to make changes to improve technical design and may do so without further notice.

Parameters can vary in different applications. All operating parameters must be validated for each customer application by the customer. Should the buyer use Atmel Wireless & Microcontrollers products for any unintended or unauthorized application, the buyer shall indemnify Atmel Wireless & Microcontrollers against all claims, costs, damages, and expenses, arising out of, directly or indirectly, any claim of personal damage, injury or death associated with such unintended or unauthorized use.

Data sheets can also be retrieved from the Internet: <http://www.atmel-wm.com>

Atmel Germany GmbH, P.O.B. 3535, D-74025 Heilbronn, Germany
Telephone: 49 (0)7131 67 2594, Fax number: 49 (0)7131 67 2423