
Speech Circuit with Line-Powered Loudspeaker Amplifier

Description

The electronic speech circuit U4050B is a linear integrated circuit for use in telephone sets. It replaces the hybrid transformer, side tone equivalent and ear protection rectifiers.

The circuit is line powered and contains all components necessary for amplification of signals and adaptation to the line. An integrated loudspeaker amplifier allows loudhearing operation.

Features

- Integrated amplifier for loudhearing operation
- Anticlippping for loudspeaker amplifier
- Supply voltages for all functional blocks of a subscriber set
- Adjustable dc characteristics
- Adjustable sending and receiving amplification
- Automatic line loss compensation
- Symmetrical output of earpiece amplifier
- Built in ear protection
- Symmetrical input of microphone amplifier
- Adjustable side tone suppression independent of sending and receiving amplification
- DTMF and MUTE inputs
- Anticlippping in transmit direction
- Squelch
- Integrated transistor for short circuiting the line voltage
- Power down
- Operation possible at line currents above 10 mA

Benefits

- Independent adjustment of transmit gain, receive gain and side tone suppression
- Low number of external components

Block Diagram / Application Circuit

With a squelch function, acoustical feedback during loudhearing can be reduced significantly. The generated

supply voltage is suitable for a wide range of peripheral circuits.

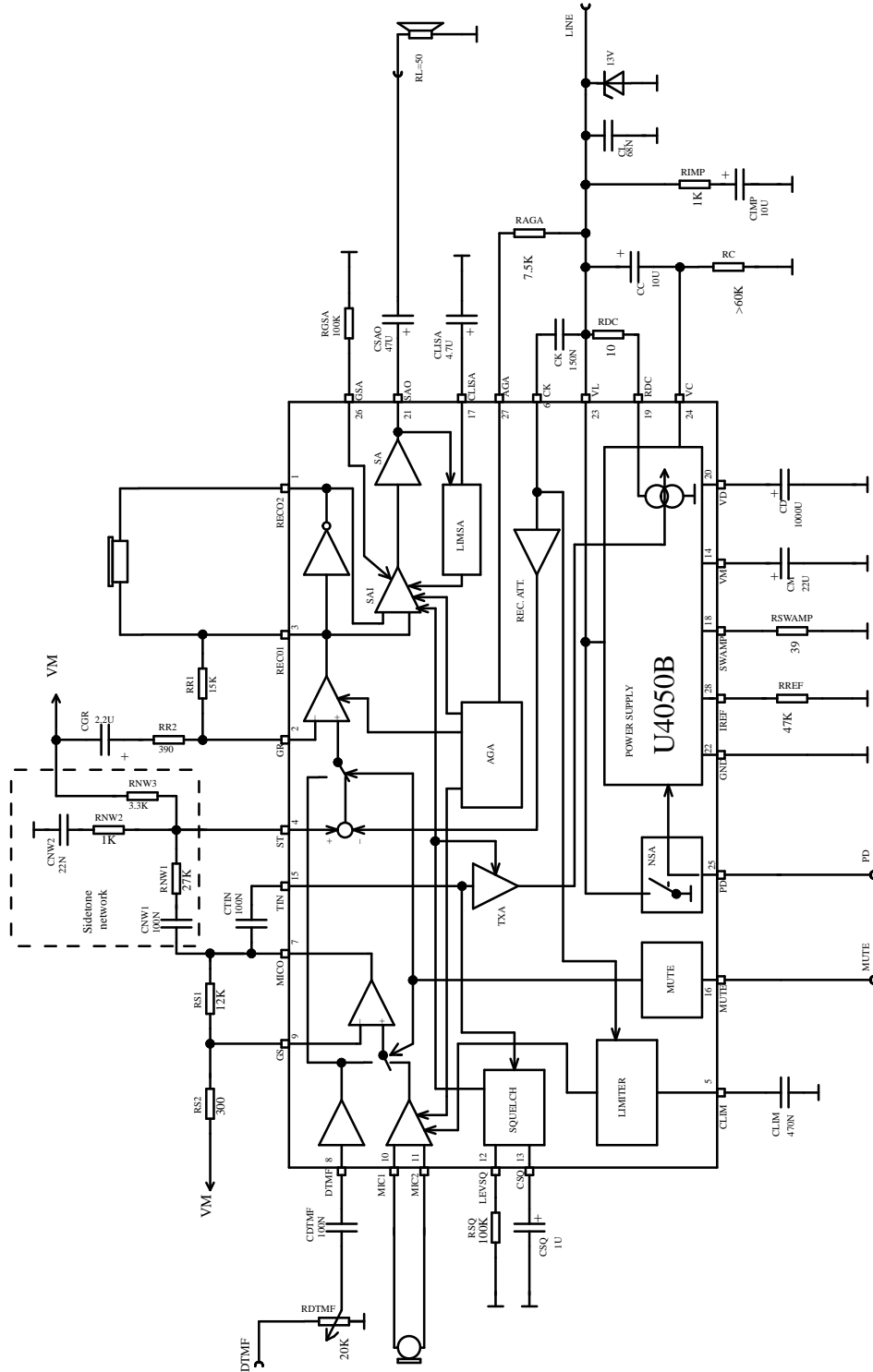


Figure 1. Typical application diagram

93 7815 e

Pin Description

Pin	Symbol	Function
1, 3	R _{ECO 2} , R _{ECO 1}	Symmetrical outputs of receiving amplifier
1, 3	R _{ECO 2} , R _{ECO 1}	Symmetrical outputs of receiving amplifier
2	G _R	A resistor connected from this pin to V _M (ac coupled) sets the receiving amplification at the circuit
4	ST	Input of side tone amplifier
5	CLIM	Time constant of anticlipping in transmit patch
6	CK	Input of receiving path
7	MICO	Output of microphone preamplifier
8	DTMF	Input for DTMF signals (ac coupled). In Mute condition a small portion of the signal at this pin is monitored to the receiver output.
9	G _S	A resistor from this pin to V _M sets the amplification of microphone and DTMF signals.
10	MIC ₁	Inverting input of microphone amplifier
11	MIC ₂	Non-inverting input of microphone amplifier
12	LEVSQ	Input for setting the switching level of the squelch circuit
13	C _{SQ}	Time constant of the squelch function
14	V _M	Reference node for microphone, earphone and loudspeaker amplifier. Supply for electret microphone set to V _D /2.
15	TIN	Input of intermediate transmit stage
16	MUTE	Active high input to switch the circuit into DTMF condition.
17	CLISA	Time constant of anticlipping of speaker amplifier.

Pin	Symbol	Function
18	SWAMP	A resistor connected from this pin to ground converts the excess line current into heat in order to prevent the IC from thermal destruction at high line currents
19	R _{DC}	A small resistor connected from this pin to V _L sets the slope of the characteristic and also affects the line length equalization characteristics and the line current at which the loudspeaker amplifier is switched on.
20	V _D	Unregulated supply voltage for peripheral circuits (dialers, microprocessors, etc.). Output current capability and output voltage increase with line current.
21	S _{AO}	Output of loudspeaker amplifier.
22	GND	Reference point for dc and ac output signals
23	V _L	Line voltage
24	V _C	The internal equivalent inductance of the circuit is proportional to the value of the capacitor at this pin. A resistor connected to ground may be used to reduce the line voltage.
25	PD	Active high input for reducing the current consumption of the circuit. Simultaneously V _L is shorted by an internal switch.
26	G _{SA}	Current input for setting the gain of the speaker amplifier
27	AGA	Automatic gain adjustment with line current. A resistor connected from this pin to V _L sets the starting point. Maximum gain change is 6 dB.
28	IREF	Internal reference current generation

Absolute Maximum Ratings

Parameters	Symbol	Value	Unit
Line current	I_L	140	mA
Line voltage	V_L	15	V
Junction temperature	T_j	150	°C
Ambient temperature	T_{amb}	-25 to +75	°C
Storage temperature	T_{stg}	-55 to +150	°C
Total power dissipation $T_{amb} = 60^\circ\text{C}$ SO28	P_{tot}	750	mW

Thermal Resistance

Parameters	Symbol	Value	Unit
Junction ambient SO28	R_{thJA}	120	K/W

Electrical Characteristics

Test conditions unless otherwise specified: $f = 1 \text{ kHz}$, $0 \text{ dBm} = 775 \text{ Vrms}$, $I_M = 0.3 \text{ mA}$, $I_D = 2 \text{ mA}$, $RC = 130 \text{ k}\Omega$, $T_{amb} = 25^\circ\text{C}$, $R_{GSA} = 560 \text{ k}\Omega$, $Z_H = Z_M = 68 \text{ nF}$, Pin AGA open

Parameters	Test Conditions / Pins	Symbol	Min.	Typ.	Max.	Unit
DC characteristics see figure 1						
DC voltage drop over circuit	$I_L = 2 \text{ mA}$	V_L		1.9		V
	$I_L = 15 \text{ mA}$	V_L	4.8	5.2	5.6	V
	$I_L = 19 \text{ mA}$	V_L		5.4		V
	$I_L = 30 \text{ mA}$	V_L		6.0		V
	$I_L = 100 \text{ mA}$	V_L		9.5		V
Transmission amplifier see figure 2 and 8						
Adjustment range of transmit gain	$I_L = 15 \text{ mA}$	G_S	40	48	56	dB
Transmitting amplification	$I_L = 15 \text{ mA}$	G_S	47.75	48.25	48.75	dB
Frequency response	$I_L \geq 15 \text{ A}$, $C_L = 4.7 \text{ nF}$ $f = 300 \text{ to } 3400 \text{ Hz}$	ΔG_S			± 0.5	dB
Gain change with current	Pin AGA open $I_L = 15 \text{ to } 100 \text{ mA}$	ΔG_S			± 0.5	dB
Gain deviation	$T_{amb} = -10 \text{ to } +60^\circ\text{C}$ $I_L = 15 \text{ mA}$	ΔG_S			± 0.5	dB
CMRR of microphone amplifier		CMRR	60	80		dB
Input resistance of MIC amplifier		R_i	45	60	80	k Ω
Distortion at line	$I_L > 15 \text{ mA}$ $V_L = 775 \text{ mVrms}$	d_s			2	%
Maximum output voltage	$I_L > 19 \text{ mA}$ $d < 5 \%$ $V_{mic} = 10 \text{ m}$	V_{1max}	1.8	3	4.2	dBm
Noise at line psophometrically weighted	$I_L > 15 \text{ mA}$ $G_S = 48 \text{ dB}$	n_o		-80	-72	dBmp

Parameters	Test Conditions / Pins	Symbol	Min.	Typ.	Max.	Unit
Anticlippping attack time	$V_{mic} = 20 \text{ mV}$ $C = 470 \text{ nF}$			0.5		ms
Release time	each 3 dB overdrive			9		ms
Gain at low operating current	$I_L = 10 \text{ mA}$, $I_D = 1 \text{ mA}$ $RC = 68 \text{ k}\Omega$ $V_{mic} = 1 \text{ mV}$ $I_M = 0 \text{ mA}$	G_S	47		50	dB
Distortion at low operating current	$I_L = 10 \text{ mA}$, $I_M = 0 \text{ mA}$ $I_D = 1 \text{ mA}$, $RC = 68 \text{ k}\Omega$ $V_{mic} = 10 \text{ mV}$	ds			6	%
Line loss compensation	$I_L = 100 \text{ mA}$ $R_{AGA} = 7.5 \text{ k}\Omega$	ΔG_{SI}	-5	-6	-7	dB
Mute suppression	$I_L \geq 15 \text{ mA}$ $V_{mute} = 1.5 \text{ V}$	G_{SM}	60			dB
Receiving amplifier see figure 3 and 5						
Adjustment range of receiving gain	$I_L \geq 15 \text{ mA}$ differential	G_R	-8		+8	dB
Receiving amplification	$I_L = 15 \text{ mA}$ differential	G_R	-1	-0.5	0	dB
Amplification of DTMF signal from DTMF IN to RECO 1/2	$I_F \geq 15 \text{ mA}$ Mute active	G_{RM}	-15	-12	-9	dB
Frequency response	$I_L > 15 \text{ mA}$, $C_L = 4.7 \text{ nF}$ $f = 300 \text{ to } 3400 \text{ Hz}$	ΔG_{RF}			± 0.5	dB
Gain change with current	$I_L = 15 \text{ to } 100 \text{ mA}$	ΔG_R			± 0.5	dB
Gain deviation	$T_{amb} = -10 \text{ to } +60 \text{ }^\circ\text{C}$ $I_L = 15 \text{ mA}$	ΔG_R			± 0.5	dB
Ear protection differential	$I_L \geq 15 \text{ mA}$ $V_{gen} = 11 \text{ V}_{rms}$	V_{ep}			2.2	V_{rms}
Output resistance	each output against GND	R_o			10	Ω
Line loss compensation	$I_L = 100 \text{ mA}$ $R_{AGA} = 7.5 \text{ k}\Omega$	ΔG_{RI}	-5.0	-6.0	-7.0	dB
Output voltage Push pull	$I_L = 15 \text{ mA}$, $d \leq 2 \%$ $Z_H = 68 \text{ nF}$ $Z_H = 450 \text{ }\Omega$		0.775			V_{rms}
Single ended	$Z_H = 150 \text{ }\Omega$		0.6			
Receiving noise psophometrically weighted	$Z_H = 68 \text{ nF}$ $G_R = 0 \text{ dB}$ $I_L > 15 \text{ mA}$	n_i		-83	-78.5	dBmp
Gain at low operating current	$I_L = 10 \text{ mA}$ $I_D = 1 \text{ mA}$ $I_M = 0 \text{ mA}$ $V_{gen} = 560 \text{ mV}$ $RC = 68 \text{ k}\Omega$	G_R	-1.5		+0.5	dB
Distortion at low operating current	$I_L = 10 \text{ mA}$, $I_D = 1 \text{ mA}$ $V_{gen} = 560 \text{ mV}$ $RC = 68 \text{ k}\Omega$	dr			5	%

Parameters	Test Conditions / Pins	Symbol	Min.	Typ.	Max.	Unit
Speaker amplifier see figure 4						
Minimum line current for operation	No ac signal	I_{Lmin}	10.5		15	mA
Gain from V_L to SAO	$I_L \geq 15$ mA $V_{gen} = 10$ mV	G_{SA}	27.5	29	30.5	dB
Output power	Load resistance $R_L = 50 \Omega$ $d < 5 \%$ $V_{gen} = 300$ mVrms $I_L > 15$ mA $I_L = 20$ mA	PSA PSA	5	20		mW
Output noise	$I_L > 15$ mA (Input G_{SA} open)	n _{sa}			200	μ V
Gain deviation	$I_L = 15$ mA $T_{amb} = -10$ to $+60^\circ$ C	ΔG_{SA}			± 1	dB
Gain change with current	$I_L = 15$ to 100 mA $R_{AGA} = 7.5$ k Ω	ΔG_{SA}			± 1.5	dB
Resistor for turning off speaker amplifier	$I_L = 15$ to 100 mA	R_{GSA}	0.8	1.3	2	M Ω
Maximum off-state Output voltage	$I_L = 15$ mA $V_L = 0$ dBm Pin G_{SA} open	V_{SAO}			-50	dBm
Gain change with frequency	$I_L = 15$ mA $f = 300$ to 3400 Hz	ΔG_{SA}			± 1	dB
Attack time	20 dB overdrive	t_r		1		ms
Release time		t_f		300		ms
Distortion	$I_L = 15$ mA $V_{gen} = 300$ mV	d_{SAO}			5	%
DTMF - amplifier see figure 5						
Test conditions: $I_D = 2$ mA, $I_M = 0.3$ mA, $R_{AGA} = 7.5$ k Ω , mute active						
Adjustment range of DTMF gain	$I_L = 15$ mA Load = 600Ω	G_D	18	26	34	dB
DTMF amplification	$I_L = 15$ mA	G_D	24.5	26	27	dB
Gain deviation	$I_L = 15$ mA $T_{amb} = -10$ to 60° C	G_D			± 0.5	dB
Input resistance		R_i	20	25	30	k Ω
Distortion of DTMF signal	$I_L \geq 15$ mA $V_I = 0$ dBm	d			2	%
Gain deviation with current	$I_L = 15$ to 100 mA $R_{AGA} = 7.5$ k Ω	ΔG_D			± 0.5	dB

Parameters	Test Conditions / Pins	Symbol	Min.	Typ.	Max.	Unit
Supply voltage see figure 1						
Test conditions: $V_{MIC} = 10 \text{ mV}$; $T_{amb} = -10 \text{ to } 60^\circ\text{C}$						
Output voltage	$I_L = 15 \text{ mA}$ $I_D = 2 \text{ mA}$ $RC = 68 \text{ k}\Omega$	V_D	2.9			V
	$I_L = 15 \text{ mA}$ $I_D = 2 \text{ mA}$ $RC = 130 \text{ k}\Omega$	V_D	3.1			V
	$I_L = 100 \text{ mA}$ $I_D = 0 \text{ mA}$ $T_{amb} = -10 \text{ to } +60^\circ\text{C}$	V_D			6.1	V
Supply voltage for an electret microphone	$I_M = 0.3 \text{ mA}$ $I_L \geq 15 \text{ mA}$ $RC = 130 \text{ k}\Omega$	V_M	1.45		3.3	V
Squelch see figure 6						
Attenuation of transmit gain	$I_L \geq 15 \text{ mA}$	ΔG_S	8	10	12	dB
Attenuation of speaker amplifier	$I_L \geq 15 \text{ mA}$ $R_{GSA} = 18 \text{ to } 560 \text{ k}\Omega$	ΔG_{SA}	7.5	10	12.5	dB
Switching level of squelch	$I_L \geq 15 \text{ mA}$ $RSQ = 100 \text{ k}\Omega$	V_{micro}	6.5		10	mV
Squelch disable	$I_L \geq 15 \text{ mA}$	RSQ	0.5	1	2	$M\Omega$
MUTE input see figure 7						
MUTE input current	MUTE active $I_L > 15 \text{ mA}$ $V_{MUTE} = V_D$	I_{MUTE}		20	30	μA
MUTE input voltage	Mute inactive $I_L > 15 \text{ mA}$	V_{MUTE}			0,3	V
	Mute active $I_L > 15 \text{ mA}$	V_{MUTE}	1.5		0,3	V
PD input see figure 7						
PD input current	PD active $I_L > 15 \text{ mA}$ $V_{PD} = V_D$	I_{PD}		20	50	μA
Input voltage	PD = active	V_{PD}	2			V
	PD = inactive	V_{PD}			0.3	V
Current consumption	$V_D = V_{PD} = 4.5 \text{ V}$ PD = active $I_L = 15 \text{ mA}$	I_{DPD}		-40	-100	μA
Voltage drop at V_L	$I_L = 15 \text{ mA}$ PD = active	V_L		1.5		V
	$I_L = 100 \text{ mA}$ PD = active	V_L		1.7		V

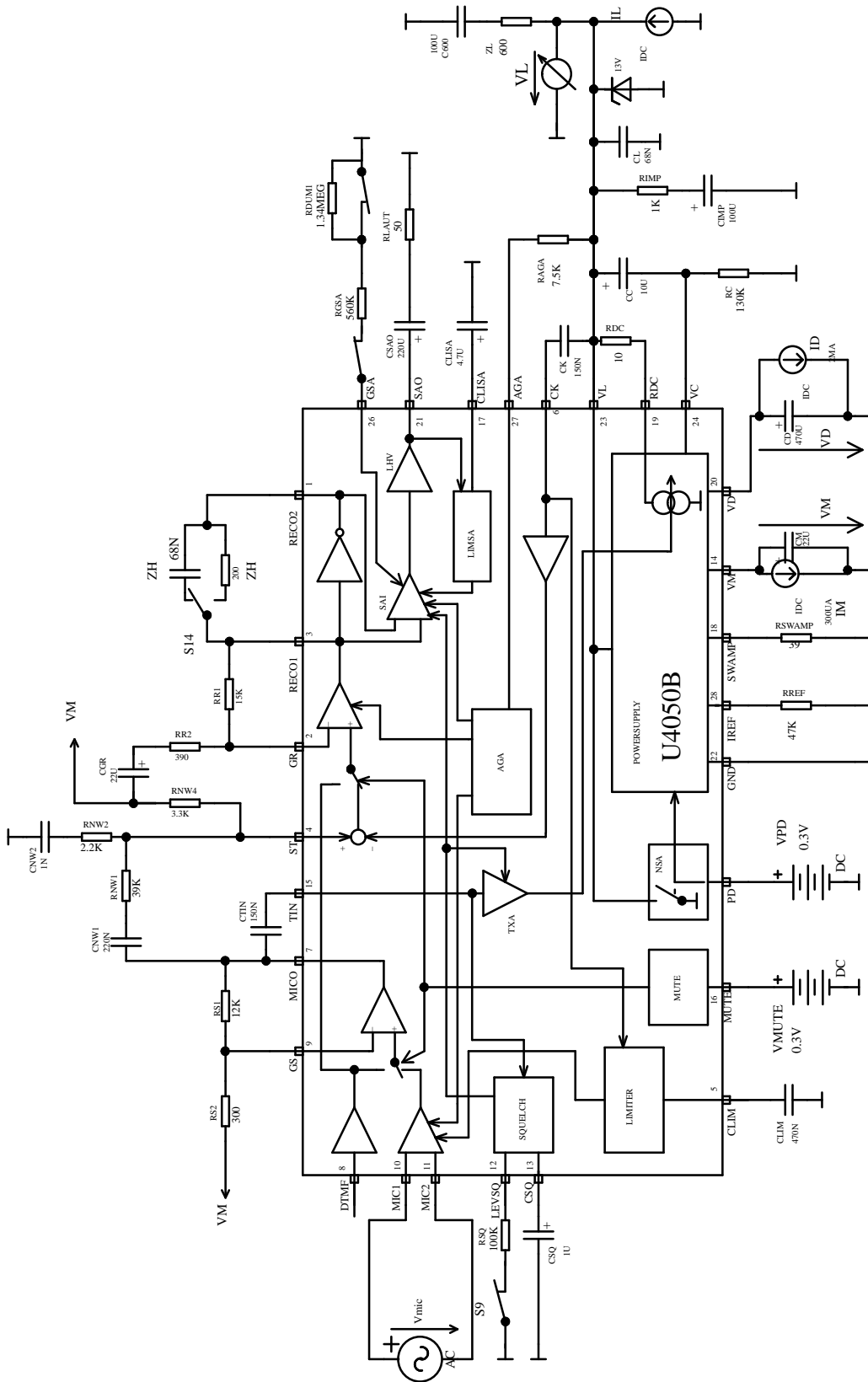
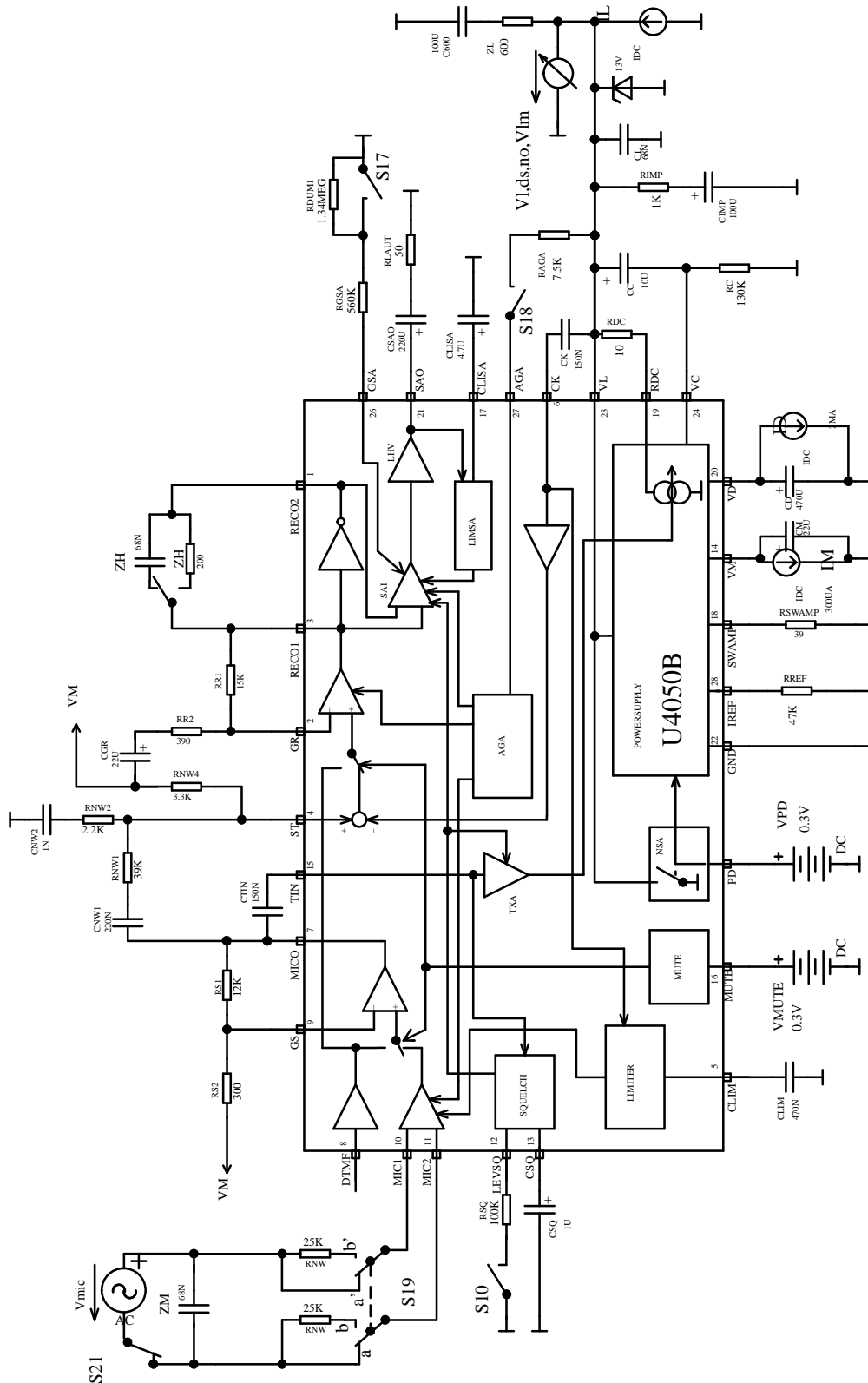


Figure 2. Supply voltage dc characteristics

93 7821 e



93 7816 e

Figure 3. Transmit amplifier

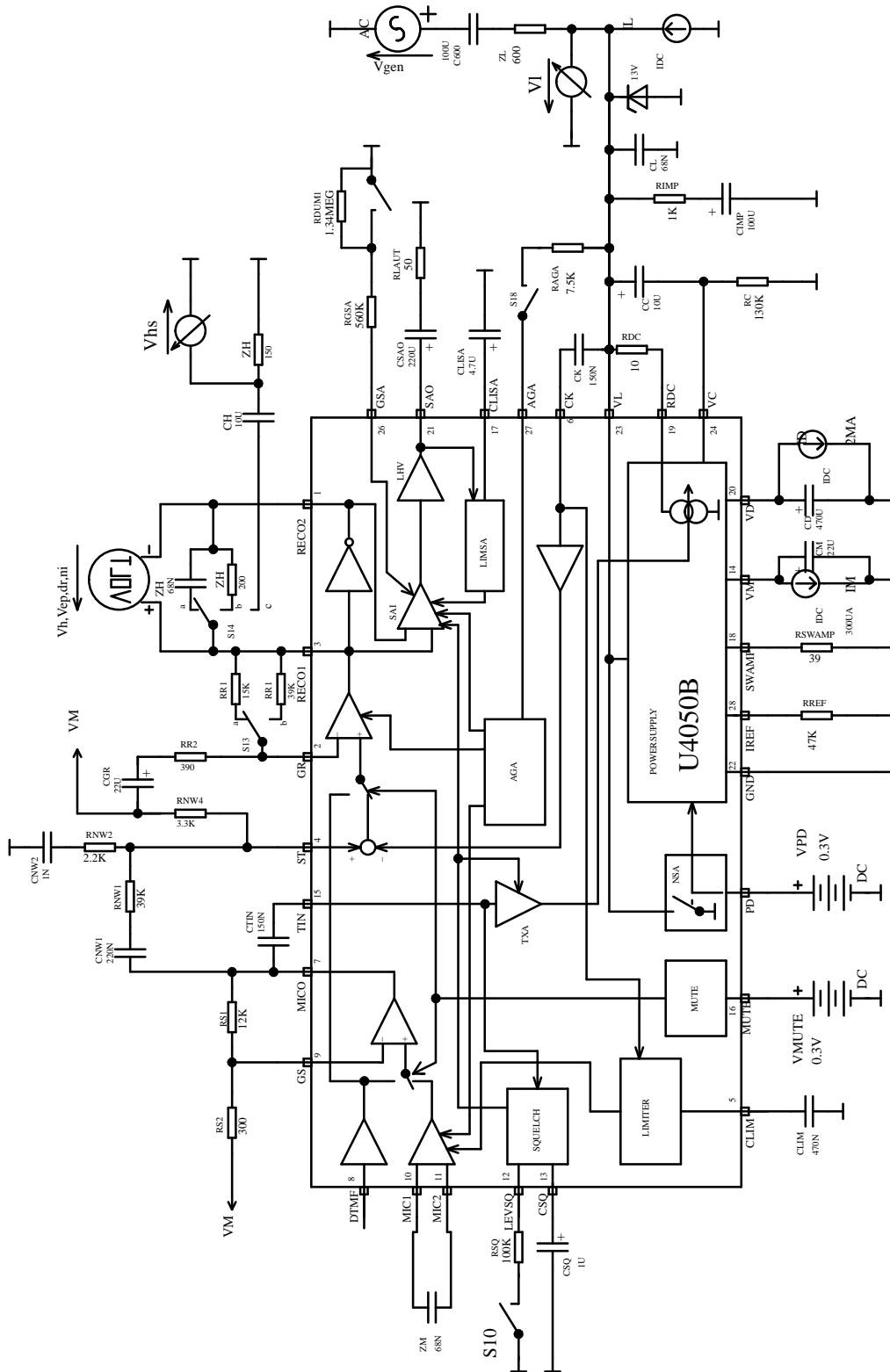


Figure 4. Receiving amplifier

93 7817 e

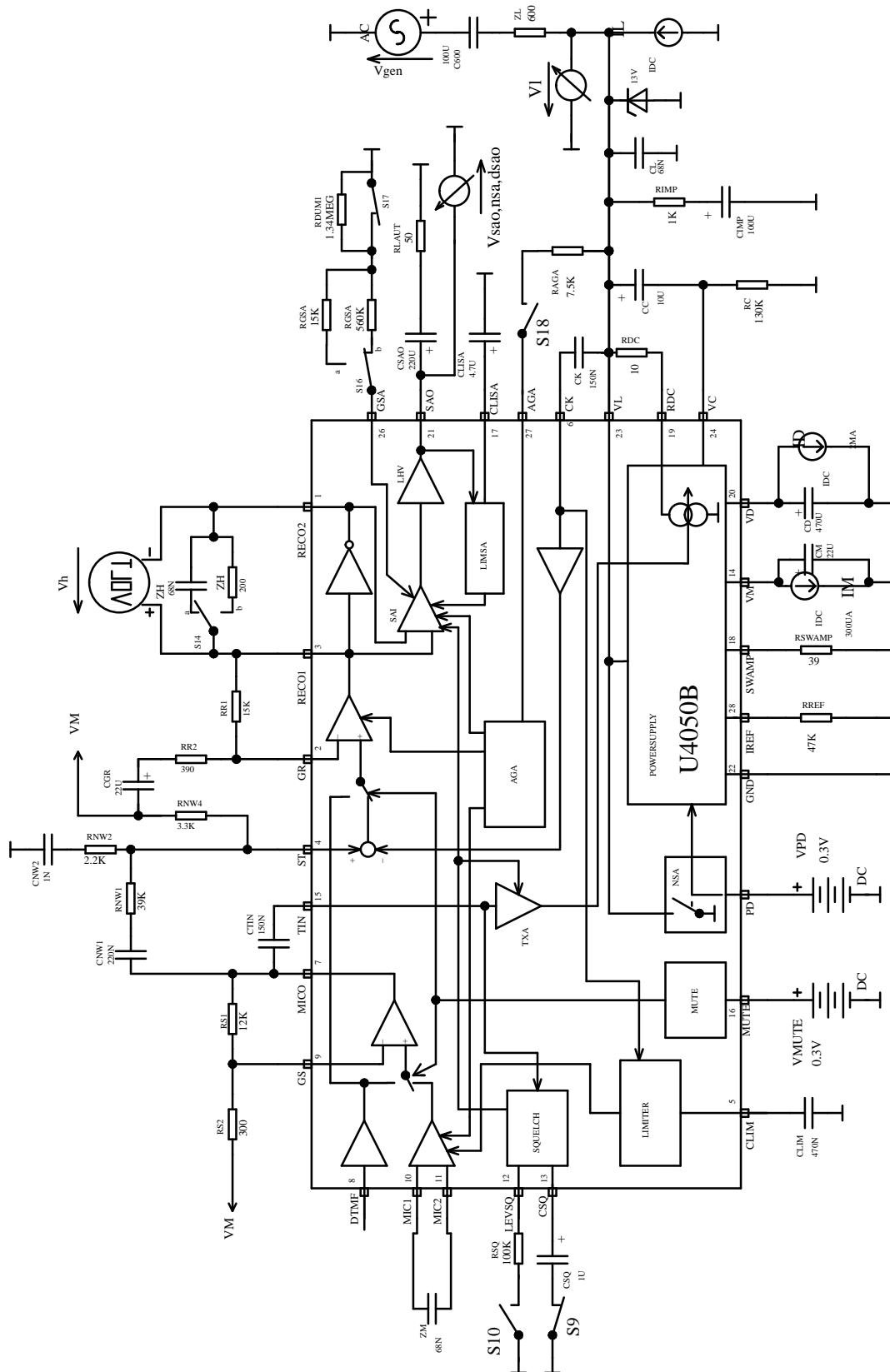


Figure 5. Speaker amplifier

93 7818 e

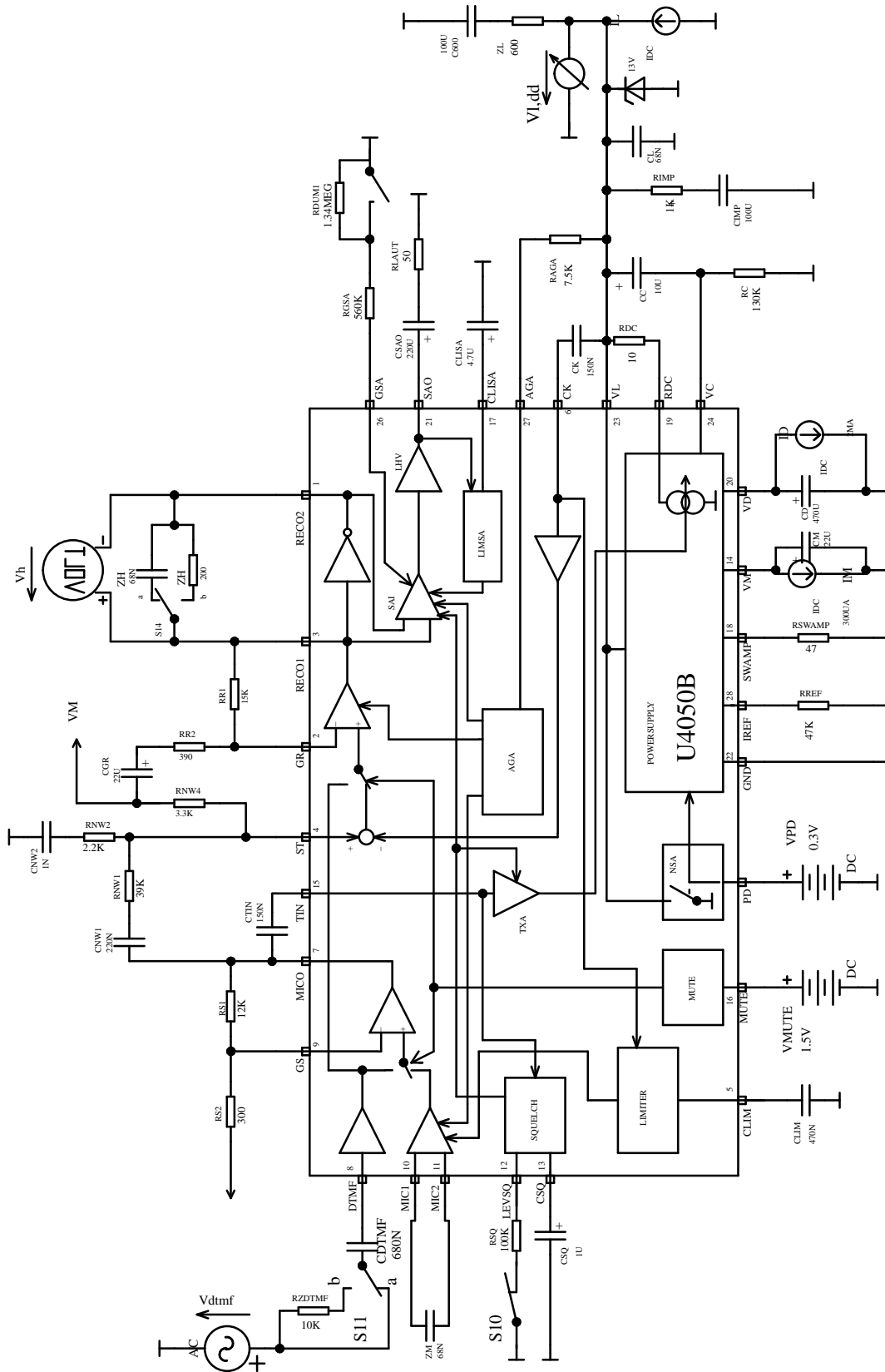


Figure 6. DTMF amplifier

93 7819 e

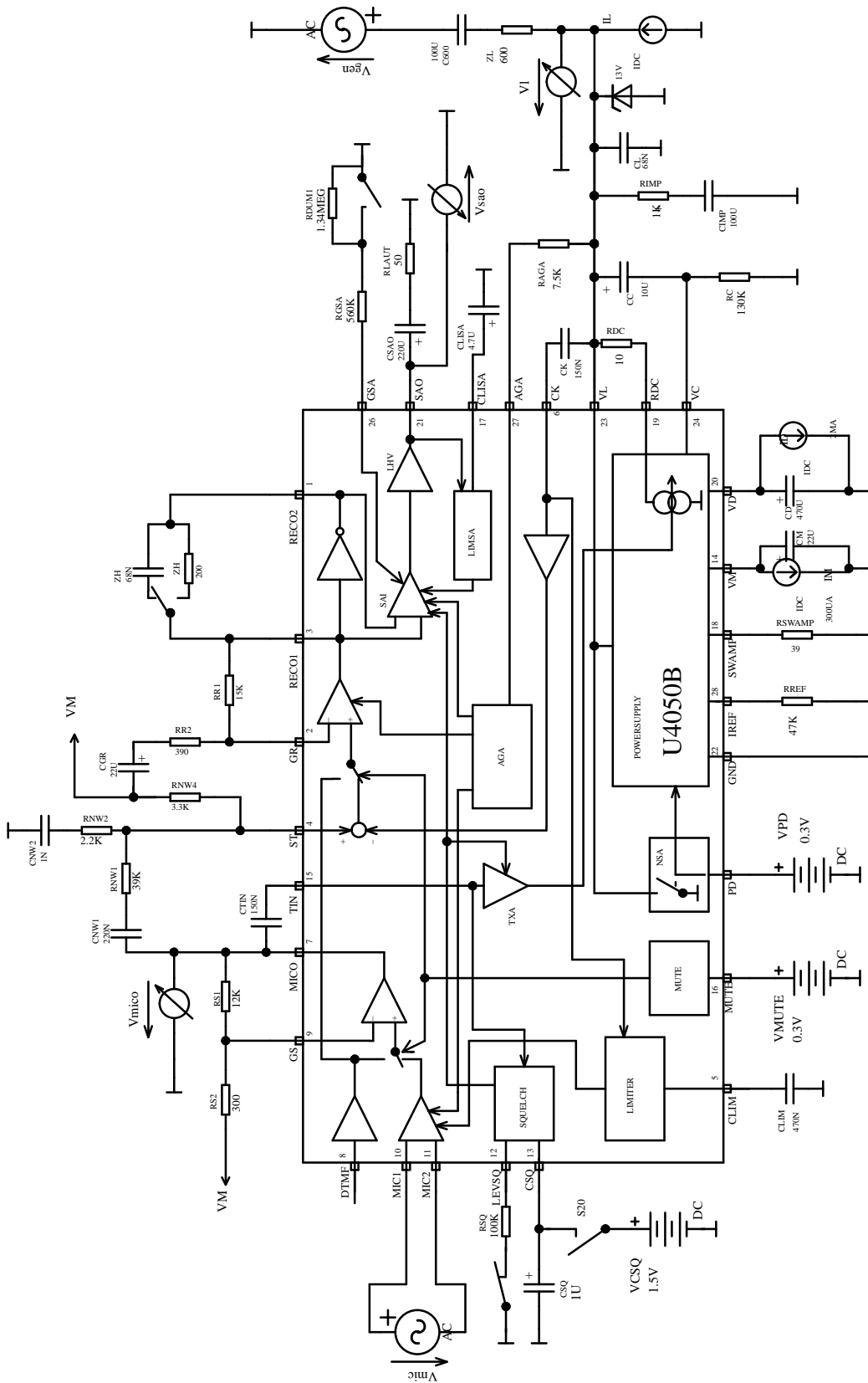


Figure 7. Squelch

93 7822 e

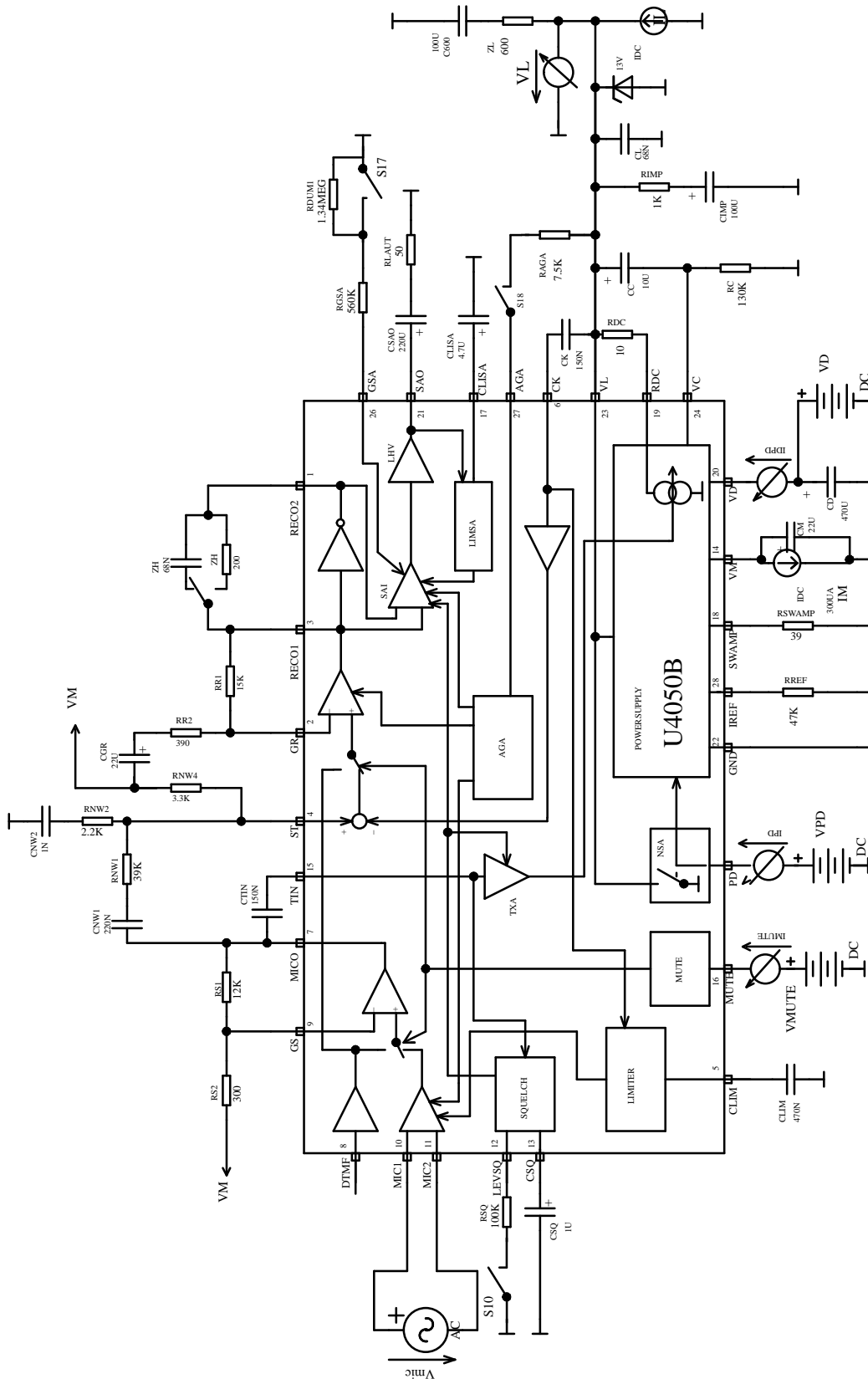


Figure 8. MUTE and PD Test

93 7823 e

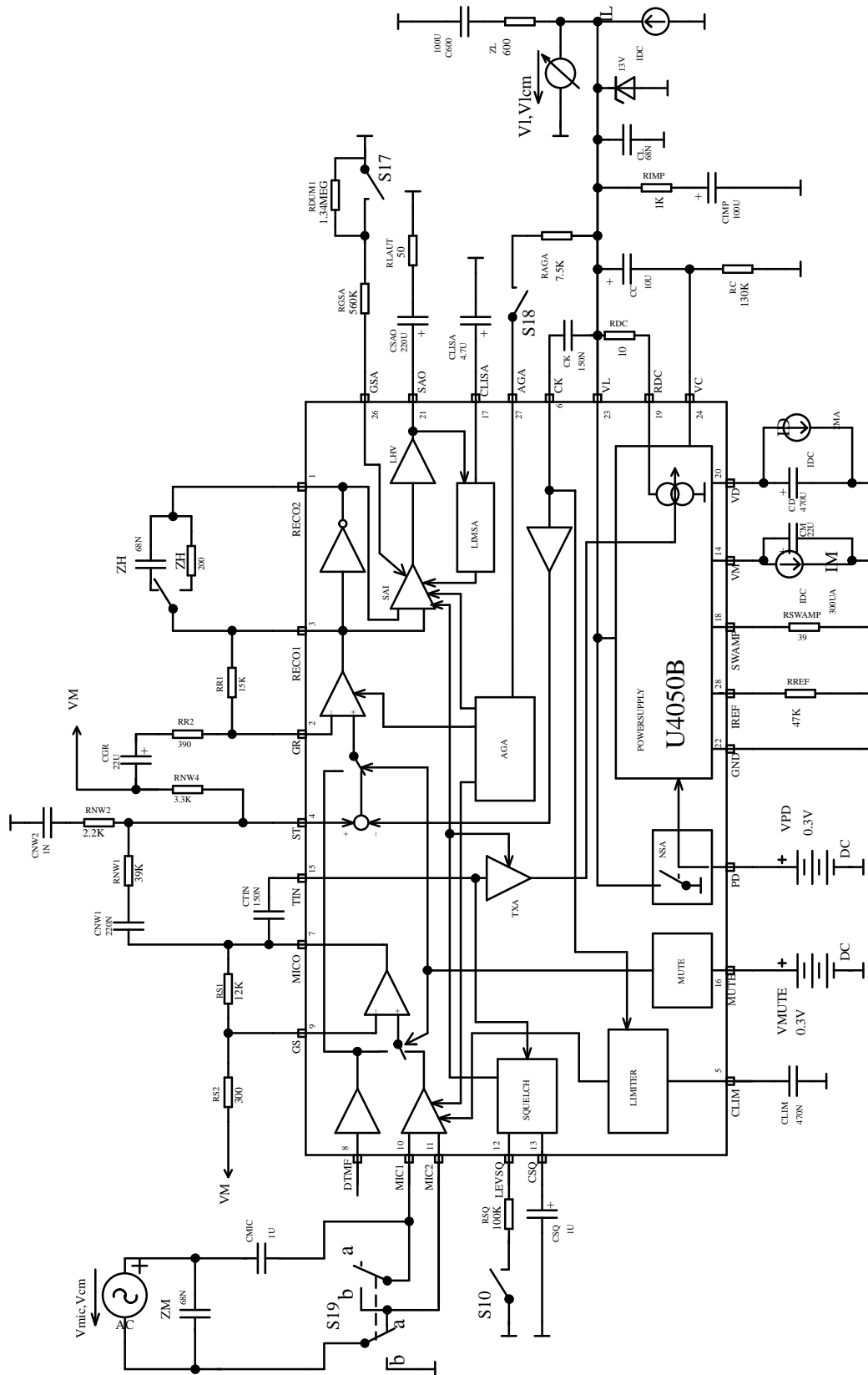


Figure 9. Transmit amplifier (CMRR)

93 7824 e

Typical Curves

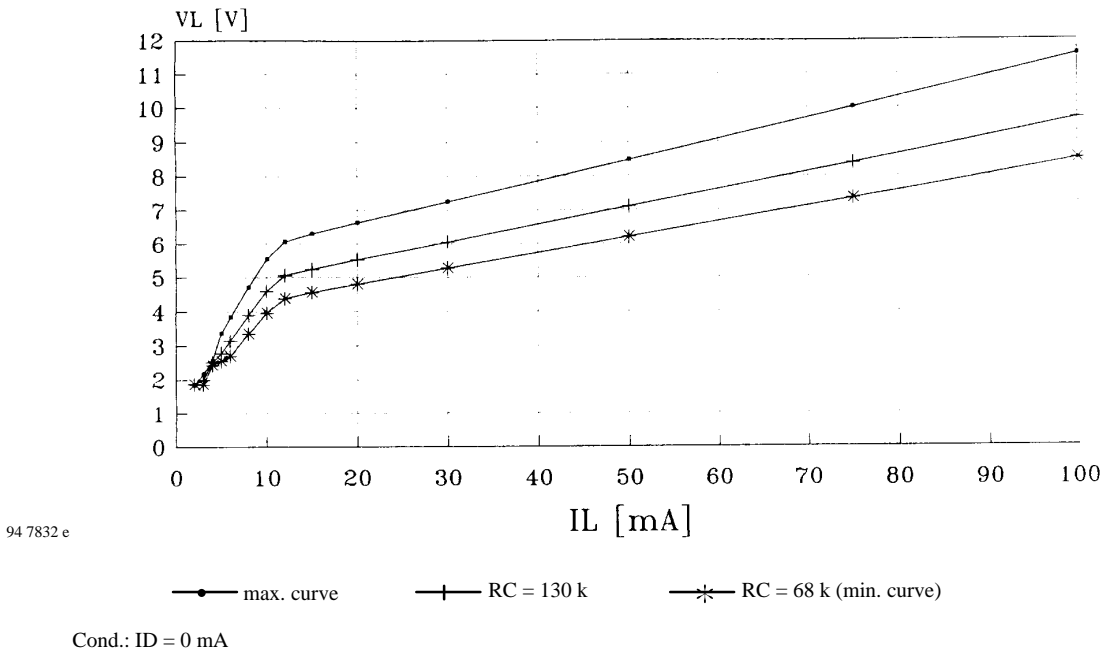


Figure 10. DC characteristics

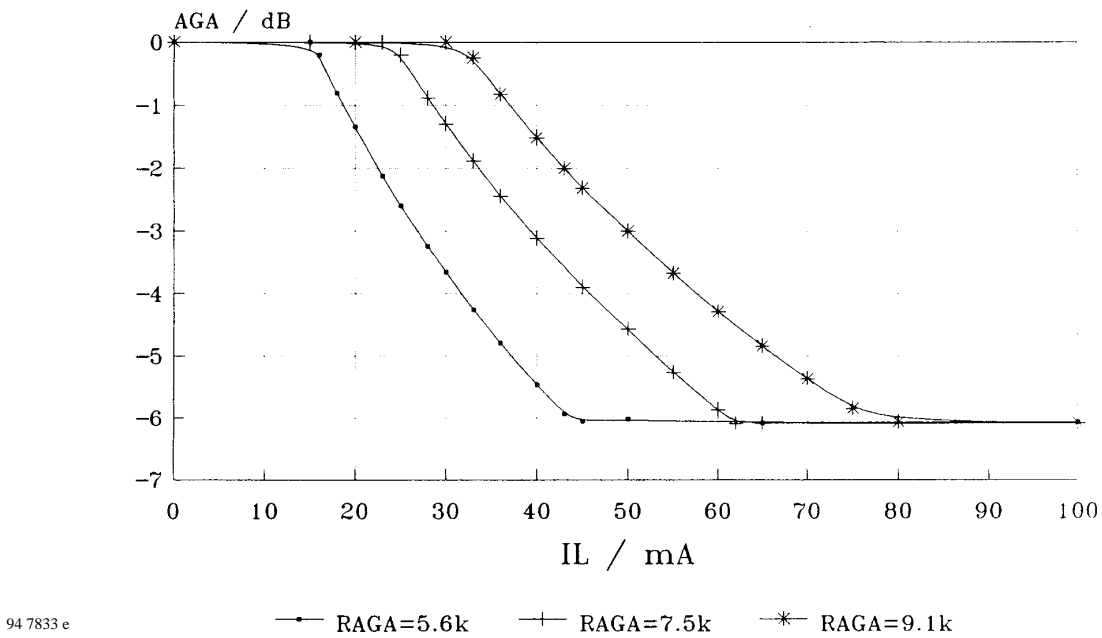
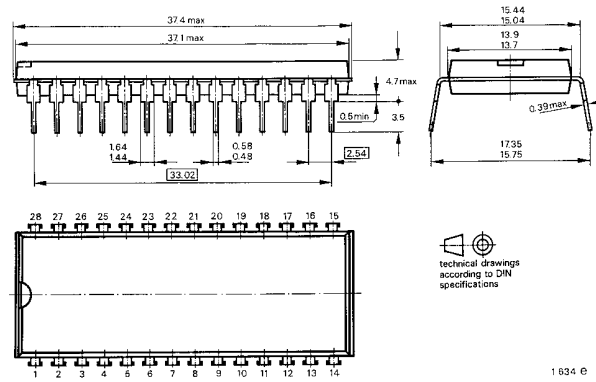


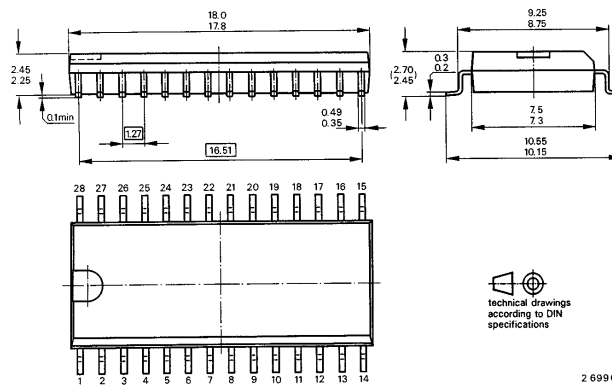
Figure 11. AGA characteristics

Dimensions in mm

Package: DIP28



Package: SO28



Ozone Depleting Substances Policy Statement

It is the policy of **TEMIC TELEFUNKEN microelectronic GmbH** to

1. Meet all present and future national and international statutory requirements.
2. Regularly and continuously improve the performance of our products, processes, distribution and operating systems with respect to their impact on the health and safety of our employees and the public, as well as their impact on the environment.

It is particular concern to control or eliminate releases of those substances into the atmosphere which are known as ozone depleting substances (ODSs).

The Montreal Protocol (1987) and its London Amendments (1990) intend to severely restrict the use of ODSs and forbid their use within the next ten years. Various national and international initiatives are pressing for an earlier ban on these substances.

TEMIC TELEFUNKEN microelectronic GmbH semiconductor division has been able to use its policy of continuous improvements to eliminate the use of ODSs listed in the following documents.

1. Annex A, B and list of transitional substances of the Montreal Protocol and the London Amendments respectively
2. Class I and II ozone depleting substances in the Clean Air Act Amendments of 1990 by the Environmental Protection Agency (EPA) in the USA
3. Council Decision 88/540/EEC and 91/690/EEC Annex A, B and C (transitional substances) respectively.

TEMIC can certify that our semiconductors are not manufactured with ozone depleting substances and do not contain such substances.

We reserve the right to make changes to improve technical design and may do so without further notice.

Parameters can vary in different applications. All operating parameters must be validated for each customer application by the customer. Should the buyer use TEMIC products for any unintended or unauthorized application, the buyer shall indemnify TEMIC against all claims, costs, damages, and expenses, arising out of, directly or indirectly, any claim of personal damage, injury or death associated with such unintended or unauthorized use.

TEMIC TELEFUNKEN microelectronic GmbH, P.O.B. 3535, D-74025 Heilbronn, Germany
Telephone: 49 (0)7131 67 2831, Fax number: 49 (0)7131 67 2423