

StorageLynx 1394 Link-Layer Controller for ATA/ATAPI Storage Products

FEATURES

- Serial bus data rates of 100, 200, and 400 Mbps
- IEEE P1394a compliant and IEEE Std 1394-1995
- Automated SBP-2 transport protocol engine
- ATA/ATAPI command translation by embedded processor and firmware
- Programmable ATA/ATAPI interface supporting PIO modes 0–4, DMA modes 0–2, and Ultra DMA modes 0–4
- Automated 1394 and SBP-2 header removal and insertion
- Internal parameter RAM for fast access to configuration ROM and key SBP-2 parameters
- Automatic response to configuration ROM quadlet and block read requests
- External flash PROM / EPROM interface for easy program code changes during prototyping
- Separate address and data busses for the external flash PROM / EPROM interface (no external latches)
- 16K internal ROM program memory
- 576 Byte (128 quadlet) transmit control FIFO, 576 byte (128 quadlet) receive control FIFO
- Bidirectional data FIFO
- 0.18 micron CMOS technology with embedded RAM and ROM
- Space-saving 100 pin TQFP package

DESCRIPTION

The Texas Instruments TSB42AA9 (StorageLynx) is a 1394 Link Layer Controller designed to function as a native bridge between the 1394 bus and ATA (AT Attachment) or ATAPI (AT Attachment with Packet Interface) data storage applications. These data storage devices can include external hard disk drives (HDDs), ZIP drives, magneto-optical (MO) drives, ORB drives, CD-ROMs, CD-R/Ws, DVD-ROMs, and DVD-RAMs. The ATA/ATAPI interface of the TSB42AA9 supports signaling and timing for programmed input/output (PIO) modes 0–4, direct memory access (DMA) modes 0–2, and Ultra DMA modes 0–4. The 1394 interface of StorageLynx is IEEE P1394a⁽¹⁾ and IEEE Std 1394-1995⁽²⁾ compliant and supports 400, 200, and 100 Mbps serial bus data rates.

StorageLynx is particularly designed for any data storage application that supports the SBP-2⁽³⁾ (Serial Bus Protocol 2) transaction layer as a target device. The TSB42AA9 automates the SBP-2 target controller functions by implementing the management and command agents in hardware. Data handling is also executed in hardware, with no assistance from the processor needed to setup a DMA transaction to fetch data from the ATA/ATAPI device and return it to the SBP-2 initiator via the 1394 bus. StorageLynx translates SBP-2 protocol commands to ATA/ATAPI commands using the hardware-implemented functions and an embedded 8052 processor executing firmware. The firmware is located in the internal ROM of the device or optionally, an external memory location.

A 2-wire serial bus interface is included on the TSB42AA9. This interface enables configuration ROM information required by IEEE Std 1394-1995⁽²⁾ and SBP-2 to be loaded from a serial EEPROM into the device's internal parameter RAM. The internal parameter RAM allows StorageLynx faster access to important configuration information as well as automatic responses to configuration ROM read requests from the system host. In addition, StorageLynx provides a memory interface which can be used to access firmware from an external Flash PROM/EPROM for testing and development purposes, or to support storage applications which require specialized functionality. The StorageLynx memory interface also supports write operations to the Flash PROM/EPROM, removing the need for parts to be in sockets and allowing for easy software downloads. Flash memory is not required unless custom functionality and in-system reprogrammability are requirements.

(1) IEEE Std 1394–1995, Standard for a High Performance Serial Bus
 (2) NCITS T10 1240D, Reduced Block Commands Revision 10 (RBC)
 (3) T10 Project 1155D, ANSI NCTIS.xxx–199x, Serial Bus Protocol 2 (SBP-2)



Please be aware that an important notice concerning availability, standard warranty, and use in critical applications of Texas Instruments semiconductor products and disclaimers thereto appears at the end of this data sheet.

NOTE:

This product is for high-volume PC applications only. For a complete datasheet or more information contact support@ti.com.

PACKAGING INFORMATION

Orderable Device	Status ⁽¹⁾	Package Type	Package Drawing	Pins	Package Qty	Eco Plan ⁽²⁾	Lead/Ball Finish	MSL Peak Temp ⁽³⁾
TSB42AA9PZT	OBSOLETE	TQFP	PZT	100		TBD	Call TI	Call TI
TSB42AA9PZTR	OBSOLETE	TQFP	PZT	100		TBD	Call TI	Call TI

⁽¹⁾ The marketing status values are defined as follows:

ACTIVE: Product device recommended for new designs.

LIFEBUY: TI has announced that the device will be discontinued, and a lifetime-buy period is in effect.

NRND: Not recommended for new designs. Device is in production to support existing customers, but TI does not recommend using this part in a new design.

PREVIEW: Device has been announced but is not in production. Samples may or may not be available.

OBSOLETE: TI has discontinued the production of the device.

⁽²⁾ Eco Plan - The planned eco-friendly classification: Pb-Free (RoHS), Pb-Free (RoHS Exempt), or Green (RoHS & no Sb/Br) - please check <http://www.ti.com/productcontent> for the latest availability information and additional product content details.

TBD: The Pb-Free/Green conversion plan has not been defined.

Pb-Free (RoHS): TI's terms "Lead-Free" or "Pb-Free" mean semiconductor products that are compatible with the current RoHS requirements for all 6 substances, including the requirement that lead not exceed 0.1% by weight in homogeneous materials. Where designed to be soldered at high temperatures, TI Pb-Free products are suitable for use in specified lead-free processes.

Pb-Free (RoHS Exempt): This component has a RoHS exemption for either 1) lead-based flip-chip solder bumps used between the die and package, or 2) lead-based die adhesive used between the die and leadframe. The component is otherwise considered Pb-Free (RoHS compatible) as defined above.

Green (RoHS & no Sb/Br): TI defines "Green" to mean Pb-Free (RoHS compatible), and free of Bromine (Br) and Antimony (Sb) based flame retardants (Br or Sb do not exceed 0.1% by weight in homogeneous material)

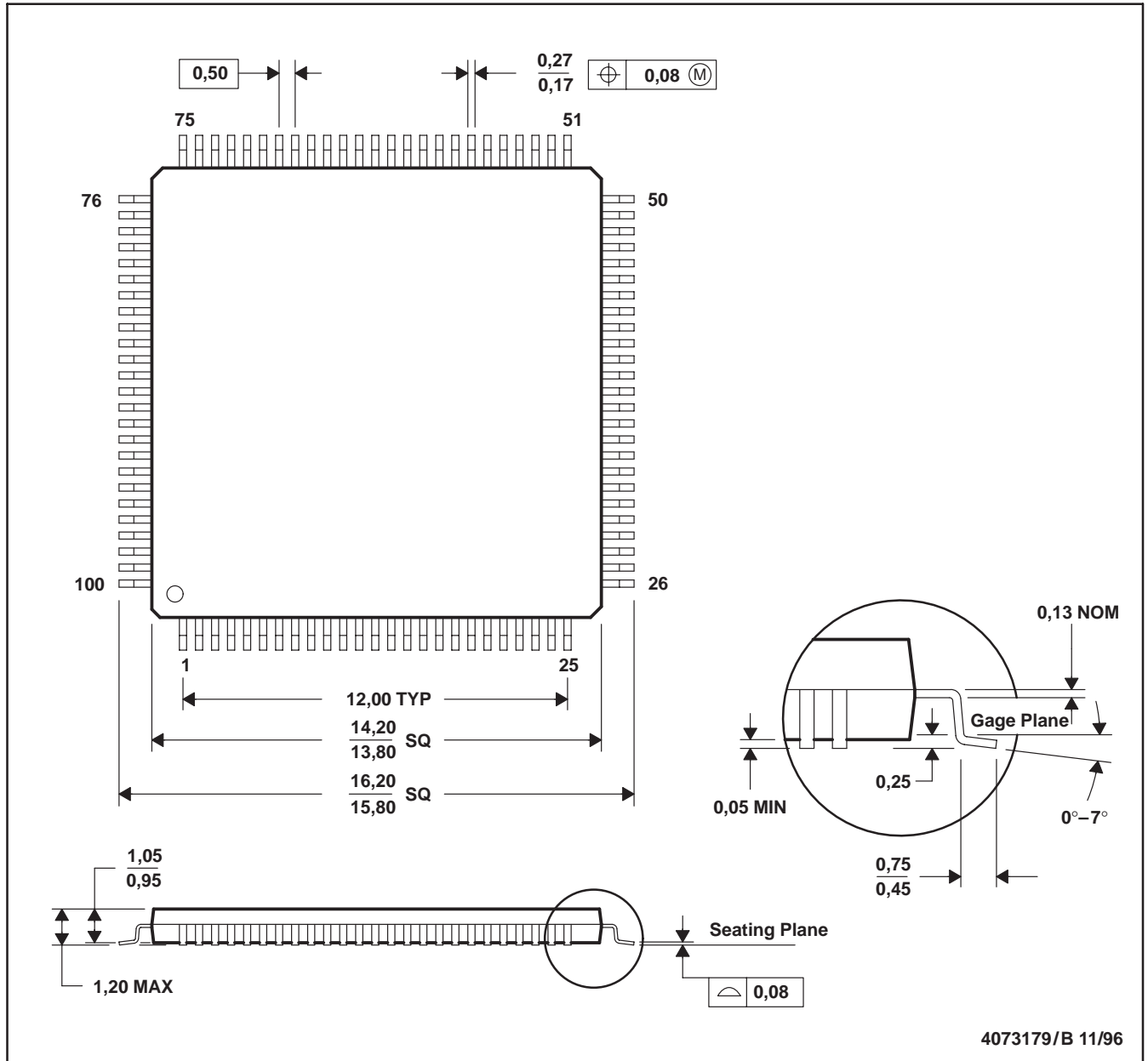
⁽³⁾ MSL, Peak Temp. -- The Moisture Sensitivity Level rating according to the JEDEC industry standard classifications, and peak solder temperature.

Important Information and Disclaimer:The information provided on this page represents TI's knowledge and belief as of the date that it is provided. TI bases its knowledge and belief on information provided by third parties, and makes no representation or warranty as to the accuracy of such information. Efforts are underway to better integrate information from third parties. TI has taken and continues to take reasonable steps to provide representative and accurate information but may not have conducted destructive testing or chemical analysis on incoming materials and chemicals. TI and TI suppliers consider certain information to be proprietary, and thus CAS numbers and other limited information may not be available for release.

In no event shall TI's liability arising out of such information exceed the total purchase price of the TI part(s) at issue in this document sold by TI to Customer on an annual basis.

PZT (S-PQFP-G100)

PLASTIC QUAD FLATPACK



- NOTES: A. All linear dimensions are in millimeters.
 B. This drawing is subject to change without notice.
 C. Falls within JEDEC MS-026

IMPORTANT NOTICE

Texas Instruments Incorporated and its subsidiaries (TI) reserve the right to make corrections, enhancements, improvements and other changes to its semiconductor products and services per JESD46, latest issue, and to discontinue any product or service per JESD48, latest issue. Buyers should obtain the latest relevant information before placing orders and should verify that such information is current and complete. All semiconductor products (also referred to herein as "components") are sold subject to TI's terms and conditions of sale supplied at the time of order acknowledgment.

TI warrants performance of its components to the specifications applicable at the time of sale, in accordance with the warranty in TI's terms and conditions of sale of semiconductor products. Testing and other quality control techniques are used to the extent TI deems necessary to support this warranty. Except where mandated by applicable law, testing of all parameters of each component is not necessarily performed.

TI assumes no liability for applications assistance or the design of Buyers' products. Buyers are responsible for their products and applications using TI components. To minimize the risks associated with Buyers' products and applications, Buyers should provide adequate design and operating safeguards.

TI does not warrant or represent that any license, either express or implied, is granted under any patent right, copyright, mask work right, or other intellectual property right relating to any combination, machine, or process in which TI components or services are used. Information published by TI regarding third-party products or services does not constitute a license to use such products or services or a warranty or endorsement thereof. Use of such information may require a license from a third party under the patents or other intellectual property of the third party, or a license from TI under the patents or other intellectual property of TI.

Reproduction of significant portions of TI information in TI data books or data sheets is permissible only if reproduction is without alteration and is accompanied by all associated warranties, conditions, limitations, and notices. TI is not responsible or liable for such altered documentation. Information of third parties may be subject to additional restrictions.

Resale of TI components or services with statements different from or beyond the parameters stated by TI for that component or service voids all express and any implied warranties for the associated TI component or service and is an unfair and deceptive business practice. TI is not responsible or liable for any such statements.

Buyer acknowledges and agrees that it is solely responsible for compliance with all legal, regulatory and safety-related requirements concerning its products, and any use of TI components in its applications, notwithstanding any applications-related information or support that may be provided by TI. Buyer represents and agrees that it has all the necessary expertise to create and implement safeguards which anticipate dangerous consequences of failures, monitor failures and their consequences, lessen the likelihood of failures that might cause harm and take appropriate remedial actions. Buyer will fully indemnify TI and its representatives against any damages arising out of the use of any TI components in safety-critical applications.

In some cases, TI components may be promoted specifically to facilitate safety-related applications. With such components, TI's goal is to help enable customers to design and create their own end-product solutions that meet applicable functional safety standards and requirements. Nonetheless, such components are subject to these terms.

No TI components are authorized for use in FDA Class III (or similar life-critical medical equipment) unless authorized officers of the parties have executed a special agreement specifically governing such use.

Only those TI components which TI has specifically designated as military grade or "enhanced plastic" are designed and intended for use in military/aerospace applications or environments. Buyer acknowledges and agrees that any military or aerospace use of TI components which have **not** been so designated is solely at the Buyer's risk, and that Buyer is solely responsible for compliance with all legal and regulatory requirements in connection with such use.

TI has specifically designated certain components which meet ISO/TS16949 requirements, mainly for automotive use. Components which have not been so designated are neither designed nor intended for automotive use; and TI will not be responsible for any failure of such components to meet such requirements.

Products

Audio	www.ti.com/audio
Amplifiers	amplifier.ti.com
Data Converters	dataconverter.ti.com
DLP® Products	www.dlp.com
DSP	dsp.ti.com
Clocks and Timers	www.ti.com/clocks
Interface	interface.ti.com
Logic	logic.ti.com
Power Mgmt	power.ti.com
Microcontrollers	microcontroller.ti.com
RFID	www.ti-rfid.com
OMAP Applications Processors	www.ti.com/omap
Wireless Connectivity	www.ti.com/wirelessconnectivity

Applications

Automotive and Transportation	www.ti.com/automotive
Communications and Telecom	www.ti.com/communications
Computers and Peripherals	www.ti.com/computers
Consumer Electronics	www.ti.com/consumer-apps
Energy and Lighting	www.ti.com/energy
Industrial	www.ti.com/industrial
Medical	www.ti.com/medical
Security	www.ti.com/security
Space, Avionics and Defense	www.ti.com/space-avionics-defense
Video and Imaging	www.ti.com/video

TI E2E Community

e2e.ti.com