

**UNDER
DEVELOPMENT**

Dual OPAMP with Rail-to-Rail Output
TK17021/2/3/4F

DESCRIPTION

The TK17021~4F are general-purpose dual operational amplifiers, provide Rail-to-Rail (low saturation) output. It is suitable for any portable equipment, which require small mounting space.

FEATURES

- Low Operating Voltage $V_{OP}=2.0\sim 10.0V$
- Low Saturation Output Voltage $V_{OM}=V_{CC}-0.1V$
- Slew Rate $SR=4.0V/\mu\text{sec}$
- Gain Bandwidth Product $GB=12.0\text{MHz}$
- Small Package SON-8

APPLICATIONS

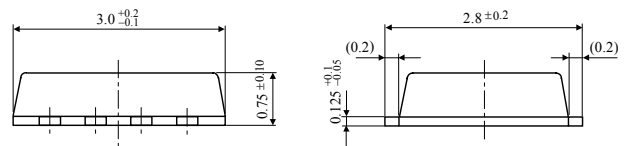
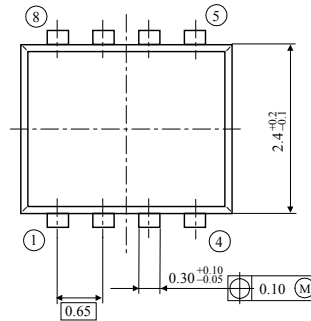
- General Purpose
- Portable Equipment which require low operating voltage

ELECTRICAL CHARACTERISTICS

Parameter	Symbol	Value (TYP)	Unit
Operating Voltage Range	V_{OP}	2.0~10.0	V
Operating Temp. Range	T_{OP}	-20~+75	°C
Supply Current	I_{CC}	10: 1/3 4: 2/4/	mA
Input Offset Voltage	V_{IO}	0.5	mV
Input Offset Current	I_{IO}	1	nA
Input Bias Current	I_{IB}	100	nA
Input Common Mode Voltage Range	V_{ICMR}	0~ $V_{CC}-1.5$: 1/2 0~ $V_{CC}-1.0$: 3/4	V
Maximum Output Voltage	V_{OM}	$V_{CC}-0.2$	V
Output Source Current	I_{SO}	3.6: 1/2 1.2: 3/4	mA
Output Sink Current	I_{SI}	25	mA
Common Mode Rejection Ratio	C_{MRR}	85	dB
Supply Voltage Rejection Ratio	S_{VRR}	100	dB
Open Voltage Gain	G_{VO}	100	dB
Slew Rate	SR	4.0	V/ μs
Gain-Bandwidth Product	GB	12.0	MHz

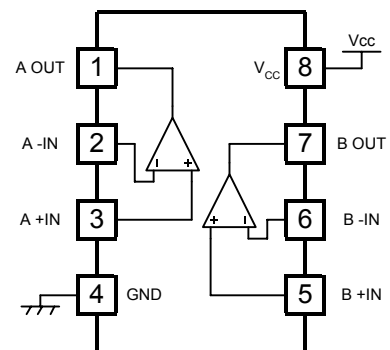
PACKAGE OUTLINE

■ SON-8



Unit:mm

BLOCK DIAGRAM



⚠ Note that the contents are subject to change or discontinuation without notice. When placing orders, please confirm specifications and delivery condition in writing.