

Product Information

High Speed 3ch Video Line Driver IC for Component Signal **TK15453V**

NEW

DESCRIPTION

The TK15453V is a video line driver IC capable driving 75Ω. The IC is composed of 3channel (Clamp,Bias and Bias) The output capacitor can be very small, using the SAG function pin.

It is wide band amplifier up to flat 30MHz at 6dB close loop. The supply current can be reduced because of built in the stand-by circuit.

FEATURES

- High Frequency Operation
- Internal 3ch 75Ω Drivers
- Composed of 3ch (Clamp,Bias and Bias)
- Fixed Voltage Gain (6dB)
- Built in Stand-by Circuit
- Thin Shrink Small Outline Package TSSOP-14

APPLICATIONS

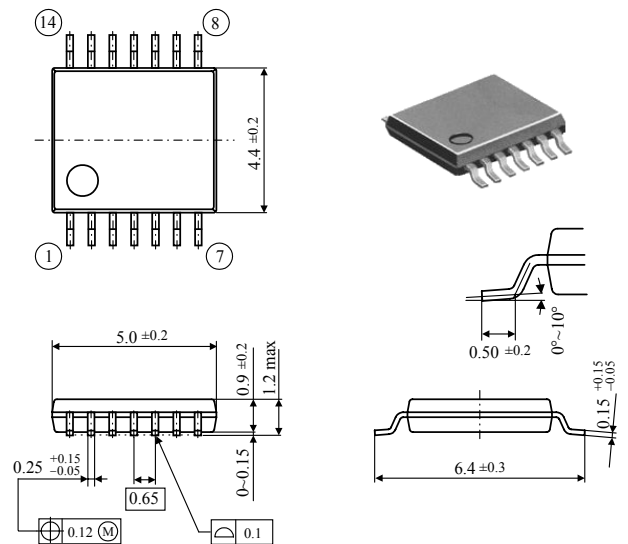
- Any equipment which has Component Signal Output Pin
- Amplifier of Video Signal

ELECTRICAL CHARACTERISTICS

Parameter	Symbol	Value (TYP)	Unit
Operating Voltage Range	V _{CC}	+4.5~8.0	V
Supply Current	I _{CC}	52.3	mA
Stand-by Current	I _{CCS}	61.1	uA
Voltage Gain	G _V	5.9	dB
Frequency Response	f _r	0.5 f _{in} =1MHz/30MHz	dB
Clamp Voltage	V _{COMP}	1.25	V
Bias Voltage	V _{BIAS}	2.4	V
Cross Talk 1	CT1	-60 at f _{in} =4.43MHz, V _{in} =1.0Vp-p	dB
Cross Talk 2	CT2	-40 at f _{in} =30.0MHz, V _{in} =1.0Vp-p	dB

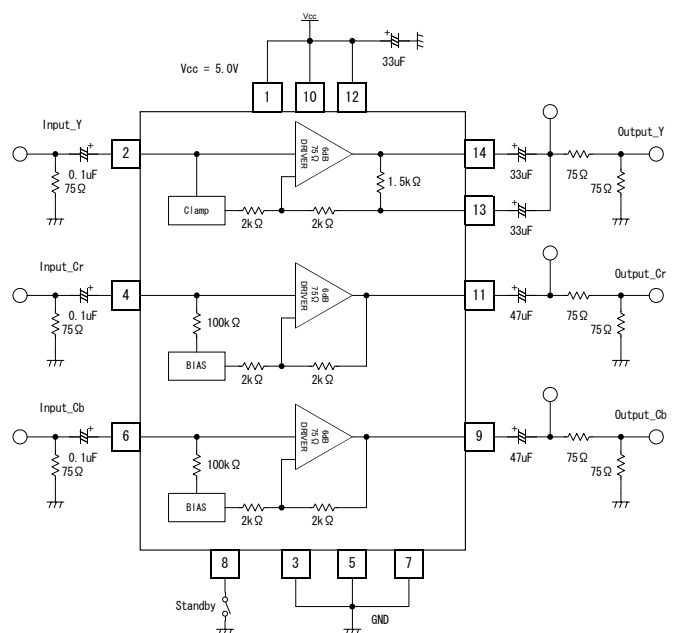
PACKAGE OUTLINE

■ TSSOP-14



Unit : mm

BLOCK DIAGRAM



⚠ Note that the contents are subject to change or discontinuation without notice. When placing orders, please confirm specifications and delivery condition in writing.