

Product Information

Video Line Driver IC with LPF & Clamp TK15444/6/8L

DESCRIPTION

The TK15444/6/8L are 75Ω video line driver ICs with LPF and clamp circuit. The voltage gain G_V is selectable from below:

TK15444L	: $G_V=9\text{dB}$
TK15446L	: $G_V=6\text{dB}$
TK15448L	: $G_V=12\text{dB}$

With internal frequency trap terminal, clock frequency of D/A converter can be eliminated.

FEATURES

- Trap Filter Circuit
- 4th Arm LPF
- Frequency Trap Terminal
- Selectable Voltage Gain; $G_V=6/9/12\text{dB}$
- Active High On/Off Control (Stand-by Function)

APPLICATIONS

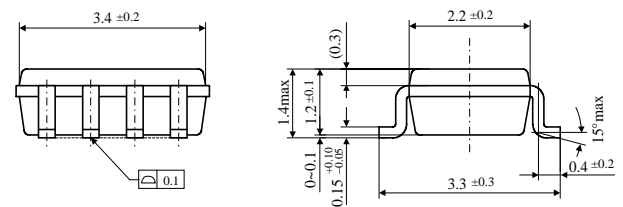
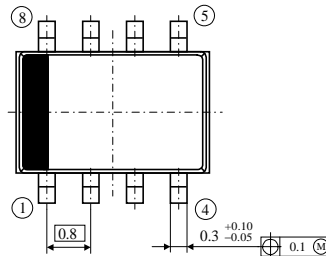
- The Video Systems
DSC(Digital Still Camera),
CCD Observation Camera, DVD Player/Rewriter
TV Monitor, LCD Projector, Video Board,
Video Recorder/Player/Camcorder,
Portable Video Equipment etc.

ELECTRICAL CHARACTERISTICS

Parameter	Symbol	Value(TYP)			Unit
		15444	15446	15448	
Operating Voltage Range	V_{OP}	4.5~10.0			V
Operating Temp. Range	T_{OP}	-25~+75			°C
Input Frequency	f_{MAX}	~100			MHz
Supply Current	I_{CC}	19.6			mA
Standby Supply Current	I_{CCS}	27.0			uA
Clamp Voltage	V_{CMP}	1.20			V
Voltage Gain	G_V	8.8	6.0	11.8	dB
Differential Gain	DG	-3.0~+3.0			%
Differential Phase	DP	-3.0~+3.0			deg
Frequency Respose1	fr1	-0.2			dB
Frequency Respose2	fr2	-1.7			dB
Trap Attenuation Value	GR	-30.0			dB
Trap Filter Terminal Output Impedance	Zfil	1.0			kΩ

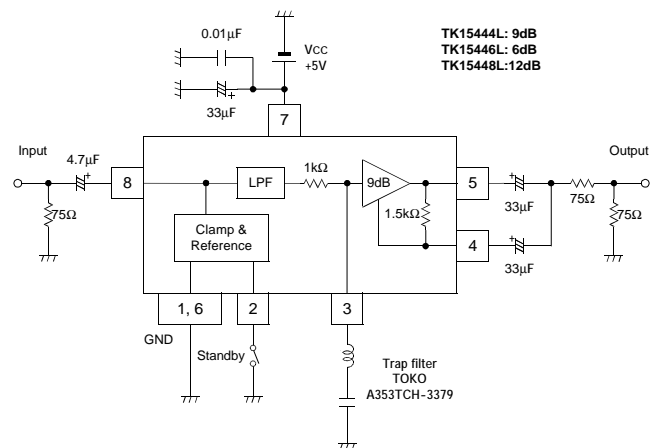
PACKAGE OUTLINE

■ SOT23L-8



Unit : mm

BLOCK DIAGRAM



⚠ Note that the contents are subject to change or discontinuation without notice. When placing orders, please confirm specifications and delivery condition in writing.