

TFF1004HN/N1

Integrated mixer oscillator PLL for satellite LNB

Rev. 01 — 25 August 2008

Product data sheet

1. General description

The TFF1004HN/N1 is an integrated downconverter for use in Low Noise Block (LNB) converters in a 10.7 GHz to 12.75 GHz K_u band satellite receiver system.

CAUTION



This device is sensitive to ElectroStatic Discharge (ESD). Observe precautions for handling electrostatic sensitive devices.

Such precautions are described in the *ANSI/ESD S20.20*, *IEC/ST 61340-5*, *JESD625-A* or equivalent standards.

2. Features

- Pre-amplifier, mixer, buffer amplifier and PLL synthesizer in one IC
- Alignment-free concept
- Crystal controlled LO frequency generation
- Low phase noise
- Switched LO frequency (9.75 GHz and 10.6 GHz)
- Low spurious

3. Applications

- K_u band LNB converters for digital satellite reception (DVB-S)

4. Quick reference data

Table 1. Quick reference data

$V_{CC} = 3.3\text{ V}$; $T_{amb} = 25\text{ }^\circ\text{C}$; $f_{LO} = 9.75\text{ GHz or }10.6\text{ GHz}$; $f_{xtal} = 50\text{ MHz}$; $Z_0 = 50\text{ }\Omega$ unless otherwise specified.

Symbol	Parameter	Conditions	Min	Typ	Max	Unit	
V_{CC}	supply voltage	RF input and IF output AC coupled	[1]	3.0	3.3	3.6	V
I_{CC}	supply current	RF input and IF output AC coupled	[1][2]	-	102	125	mA
NF_{SSB}	single sideband noise figure	low band	[2][3][4][5]	-	9	10	dB
		high band	[2][4][5][6]	-	9	10	dB
G_{conv}	conversion gain	low band	[2][3][5]	26	32	35	dB
		high band	[2][5][6]	26	32	35	dB

Table 1. Quick reference data ...continued

$V_{CC} = 3.3\text{ V}$; $T_{amb} = 25\text{ }^{\circ}\text{C}$; $f_{LO} = 9.75\text{ GHz}$ or 10.6 GHz ; $f_{xtal} = 50\text{ MHz}$; $Z_0 = 50\text{ }\Omega$ unless otherwise specified.

Symbol	Parameter	Conditions	Min	Typ	Max	Unit	
IP3 _O	output third-order intercept point	carrier power = -10 dBm (measured at output); worst case is given.					
		low band	[2][3][7][8] ↓	10	-	-	dBm
		high band	[2][6][7][8] ↓	10	-	-	dBm

[1] DC values.

[2] See corresponding graph in [Section 13.1.2 "Parameters as function of temperature"](#).

[3] Low band conditions: P_{RF_IN} = -50 dBm; f_{LO} = 9.75 GHz; f_{RF_IN} = 10.70 GHz to 11.70 GHz; f_{IF_OUT} = 950 MHz to 1950 MHz.

[4] Measured with band-pass filter according to [Figure 4](#) and [Figure 5](#).

[5] See corresponding graph in [Section 13.1.1 "Parameters as function of frequency"](#).

[6] High band conditions: P_{RF_IN} = -50 dBm; f_{LO} = 10.6 GHz; f_{RF_IN} = 11.70 GHz to 12.75 GHz; f_{IF_OUT} = 1100 MHz to 2150 MHz.

[7] measured in 50 Ω environment and calculated back towards a 75 Ω environment.

[8] measured with carriers depicted in [Table 10](#).

5. Ordering information

Table 2. Ordering information

Type number	Package		Version
	Name	Description	
TFF1004HN/N1	HVQFN24	plastic, heatsink very thin quad flat package; no leads; 24 terminals; body 4 × 4 × 0.85 mm	SOT616-1

6. Block diagram

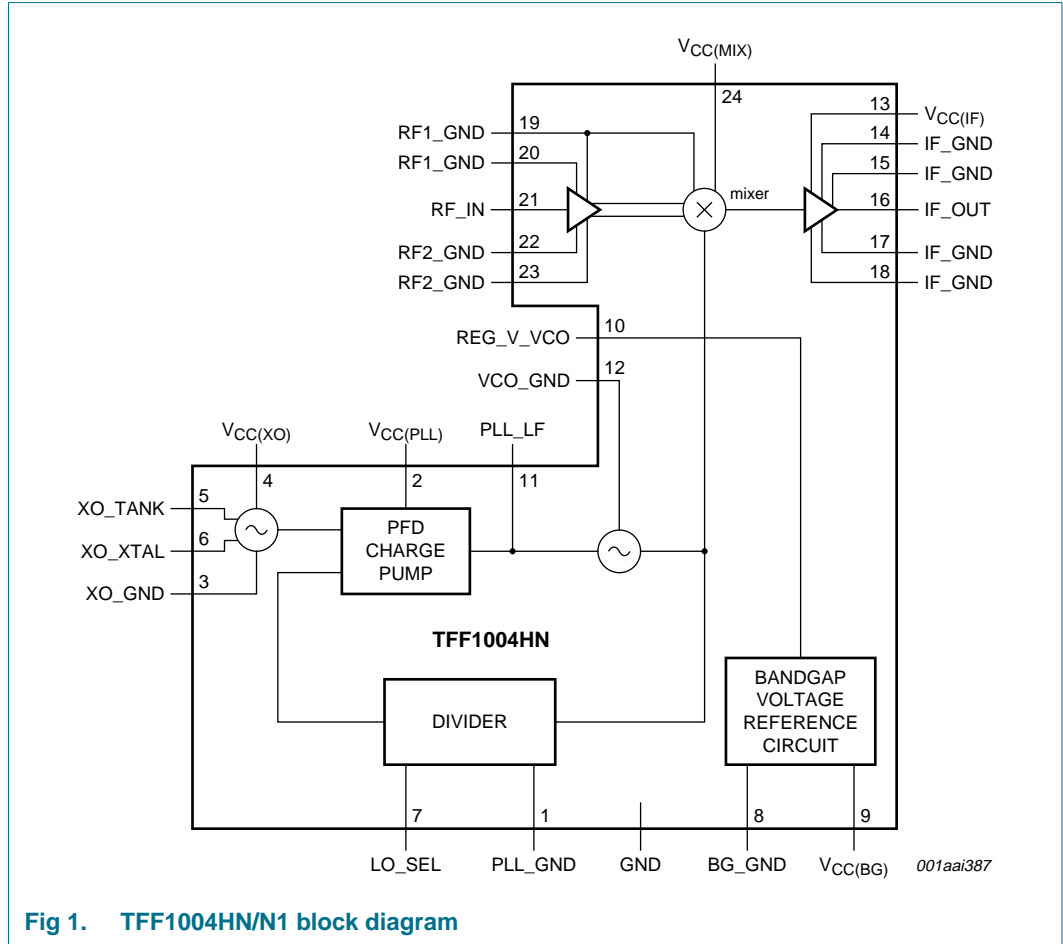


Fig 1. TFF1004HN/N1 block diagram

7. Functional diagram

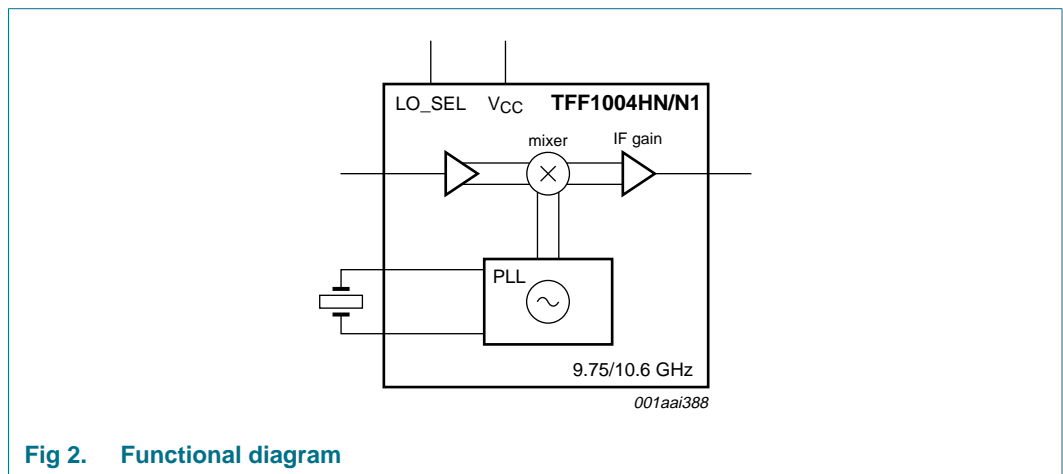


Fig 2. Functional diagram

8. Pinning information

8.1 Pinning

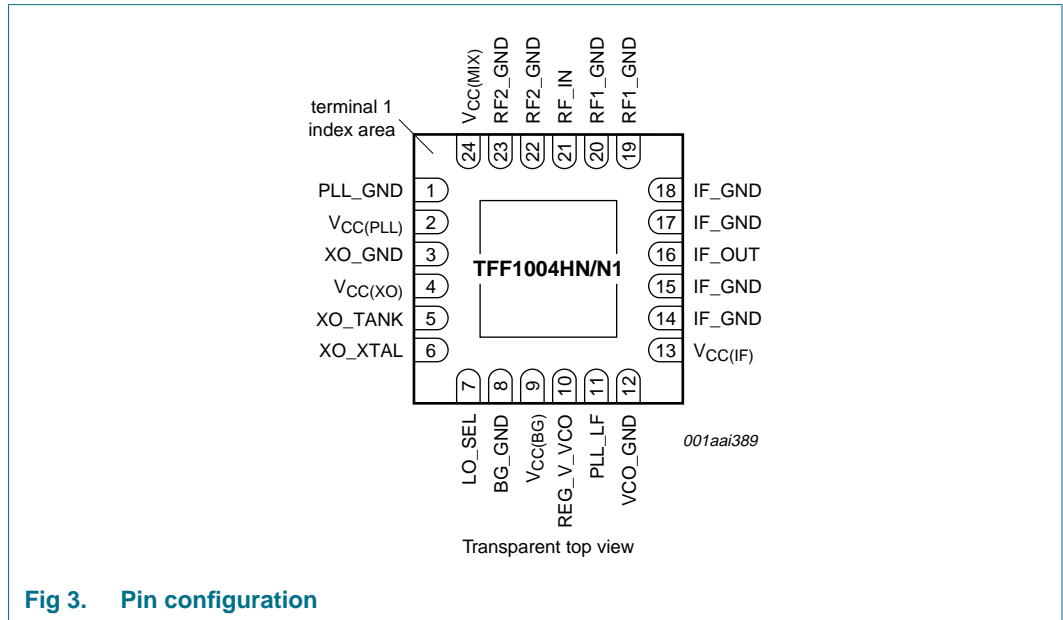


Fig 3. Pin configuration

8.2 Pin description

Table 3. Pin description

Symbol	Pin	Description
GND	0	ground (exposed die pad)
PLL_GND	1	ground [1]
V _{CC(PLL)}	2	PLL supply voltage. Decouple against pin 1.
XO_GND	3	ground [1]
V _{CC(XO)}	4	crystal oscillator supply voltage. Decouple against pin 3.
XO_TANK	5	crystal oscillator tank
XO_XTAL	6	50 MHz. Crystal connection. Connect other crystal terminal to GND.
LO_SEL	7	select high or low band [2]
BG_GND	8	ground [1]
V _{CC(BG)}	9	internal regulator supply. Decouple against pin 8.
REG_V_VCO	10	decoupling of the internal VCO supply
PLL_LF	11	loop filter PLL. Connect loop filter between this pin and pin 10.
VCO_GND	12	ground [1]
V _{CC(IF)}	13	IF-buffer supply voltage. Decouple against pin 14.
IF_GND	14, 15, 17, 18	ground [1]
IF_OUT	16	IF-buffer output. Connect RF choke coil between this pin and pin 13.
RF1_GND	19, 20	ground [1]

Table 3. Pin description ...continued

Symbol	Pin	Description
RF_IN	21	RF input. AC coupling required.
RF2_GND	22, 23	ground [1]
V _{CC(MIX)}	24	mixer supply voltage. Decouple against pin 23.

[1] Connect this to the exposed die pad.

[2] See [Table 4](#).

Table 4. LO_SEL

LO_SEL (pin 7) (V)	local oscillator frequency (GHz)
0	9.75
V _{CC}	10.60
open	10.60

9. Limiting values

Table 5. Limiting values

In accordance with the Absolute Maximum Rating System (IEC 60134).

Symbol	Parameter	Conditions	Min	Max	Unit
V _{CC(BG)}	band gap supply voltage		-0.5	+3.6	V
V _{CC(IF)}	IF supply voltage		-0.5	+3.6	V
V _{CC(PLL)}	PLL supply voltage		-0.5	+3.6	V
V _{CC(XO)}	XO supply voltage		-0.5	+3.6	V
T _j	junction temperature		-	125	°C
T _{stg}	storage temperature		-	125	°C

10. Recommended operating conditions

Table 6. Operating conditions

Symbol	Parameter	Conditions	Min	Typ	Max	Unit
T _{amb}	ambient temperature		-40	+25	+85	°C
Z ₀	characteristic impedance		-	50	-	Ω

Table 7. Selection of crystal

Mode	Frequency (MHz)	Load capacitor (pF)	Frequency stability (ppm)	Quartz cut	Maximum drive level (μW)	Tank circuit
fundamental	50	0 [1]	± 50 [2]	AT-cut	100	not used
overtone	50	0 [1]	± 50 [2]	AT-cut	100	used [3]

[1] Series resonant.

[2] The LO will have the same frequency stability.

[3] The components of the tank circuit are selected to form a parallel resonance at 50 MHz. The input capacitance at XO_TANK (pin 5) is 3 pF.

The tank circuit should have no DC path between $V_{CC(XO)}$ (pin 4) and XO_TANK (pin 5), therefore the inductive branch should contain a DC block.

11. Thermal characteristics

Table 8. Thermal characteristics

Symbol	Parameter	Conditions	Typ	Unit
$R_{th(j-sp)}$	thermal resistance from junction to solder point		24	K/W

12. Characteristics

Table 9. Characteristics

$V_{CC} = 3.3\text{ V}$; $T_{amb} = 25\text{ }^{\circ}\text{C}$; $f_{LO} = 9.75\text{ GHz}$ or 10.6 GHz ; $f_{xtal} = 50\text{ MHz}$; $Z_0 = 50\text{ }\Omega$ unless otherwise specified.

Symbol	Parameter	Conditions	Min	Typ	Max	Unit
V_{CC}	supply voltage	RF input and IF output AC coupled	[1] 3.0	3.3	3.6	V
I_{CC}	supply current	RF input and IF output AC coupled	[1][2] -	102	125	mA
$\Phi_{n\lambda(itg)}$	integrated phase noise density	integration offset frequency = 10 kHz to 13 MHz; loop bandwidth = crossover bandwidth				
		low band	[2][3] -	-	2.5	$^{\circ}\text{RMS}$
		high band	[2][4] -	-	2.5	$^{\circ}\text{RMS}$
NF_{SSB}	single sideband noise figure	low band	[2][3][5][6] -	9	10	dB
		high band	[2][4][5][6] -	9	10	dB
G_{conv}	conversion gain	low band	[2][3][6] 26	32	35	dB
		high band	[2][4][6] 26	32	35	dB
ΔG_{conv}	conversion gain variation	low band	[2][3] -	-	5	dB
		high band	[2][4] -	-	5	dB
		in every 36 MHz band; high band and low band	[6] -	-	1.5	dB
S_{11}	input reflection coefficient	with optimum matching structure	[6] -	-	-10	dB
S_{22}	output reflection coefficient	$f_{IF_OUT} = 950\text{ MHz}$ to 2150 MHz ; $Z_0 = 75\text{ }\Omega$	[7] -	-	-10	dB
$IP3O$	output third-order intercept point	carrier power = -10 dBm (measured at output); worst case is given.				
		low band	[2][3][7][8] 10	-	-	dBm
		high band	[2][4][7][8] 10	-	-	dBm
$\alpha_{L(RF)lo}$	local oscillator RF leakage	center frequency = local oscillator frequency; span = 100 MHz; RBW = 50 kHz; VBW = 200 kHz				
		low band	[2][3][9] -	-	-35	dBm
		high band	[2][4][9] -	-	-35	dBm
$\alpha_{L(IF)lo}$	local oscillator IF leakage	center frequency = local oscillator frequency; span = 100 MHz; RBW = 50 kHz; VBW = 200 kHz				
		low band	[2][3][10] -	-	-15	dBm
		high band	[2][4][10] -	-	-15	dBm
$\alpha_{resp(sp)IF_OUT}$	spurious response on pin IF_OUT	center frequency = 1.6 GHz; span frequency = 1.2 GHz; RBW = 30 kHz; VBW = 100 kHz	[10] -	-	-60	dBm

- [1] DC values.
- [2] See corresponding graph in [Section 13.1.2 "Parameters as function of temperature"](#).
- [3] Low band conditions: $P_{RF_IN} = -50$ dBm; $f_{LO} = 9.75$ GHz; $f_{RF_IN} = 10.70$ GHz to 11.70 GHz; $f_{IF_OUT} = 950$ MHz to 1950 MHz.
- [4] High band conditions: $P_{RF_IN} = -50$ dBm; $f_{LO} = 10.6$ GHz; $f_{RF_IN} = 11.70$ GHz to 12.75 GHz; $f_{IF_OUT} = 1100$ MHz to 2150 MHz.
- [5] Measured with band-pass filter according to [Figure 4](#) and [Figure 5](#).
- [6] See corresponding graph in [Section 13.1.1 "Parameters as function of frequency"](#).
- [7] measured in 50Ω environment and calculated back towards a 75Ω environment.
- [8] measured with carriers depicted in [Table 10](#).
- [9] measured with spectrum analyzer at RF_IN (pin 21); IF_OUT (pin 16) terminated with 50Ω .
- [10] measured with spectrum analyzer at IF_OUT (pin 16); RF_IN (pin 21) terminated with 50Ω via DC block.

Table 10. IP3₀ carriers

Band	RF frequency Carrier #1 (GHz)	RF frequency Carrier #2 (GHz)	IP3 ₀ low frequency (MHz)	IF frequency Carrier#1 (MHz)	IF frequency Carrier#2 (MHz)	IP3 ₀ high frequency (MHz)
Low	10.74	10.78	950	990	1030	1070
	11.62	11.66	1830	1870	1910	1950
High	11.74	11.78	1100	1140	1180	1220
	12.67	12.71	2030	2070	2110	2150

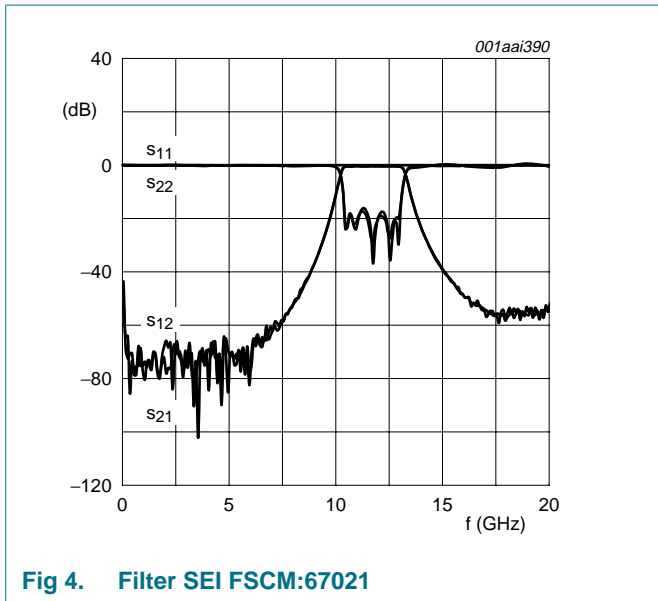


Fig 4. Filter SEI FSCM:67021

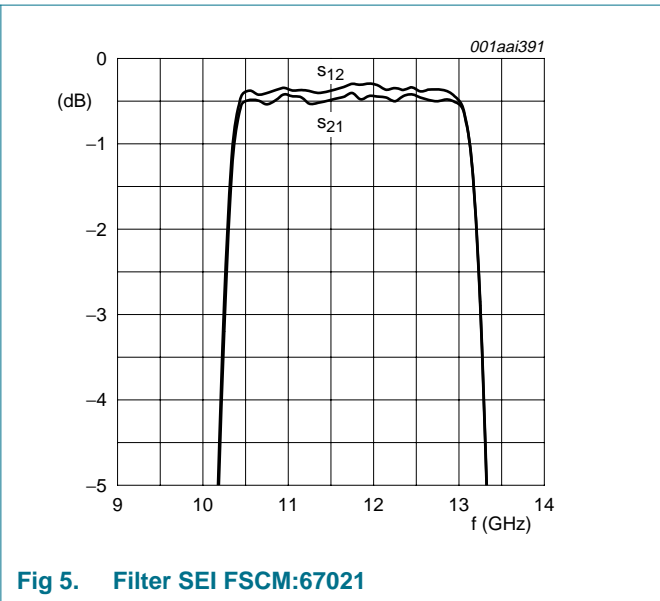
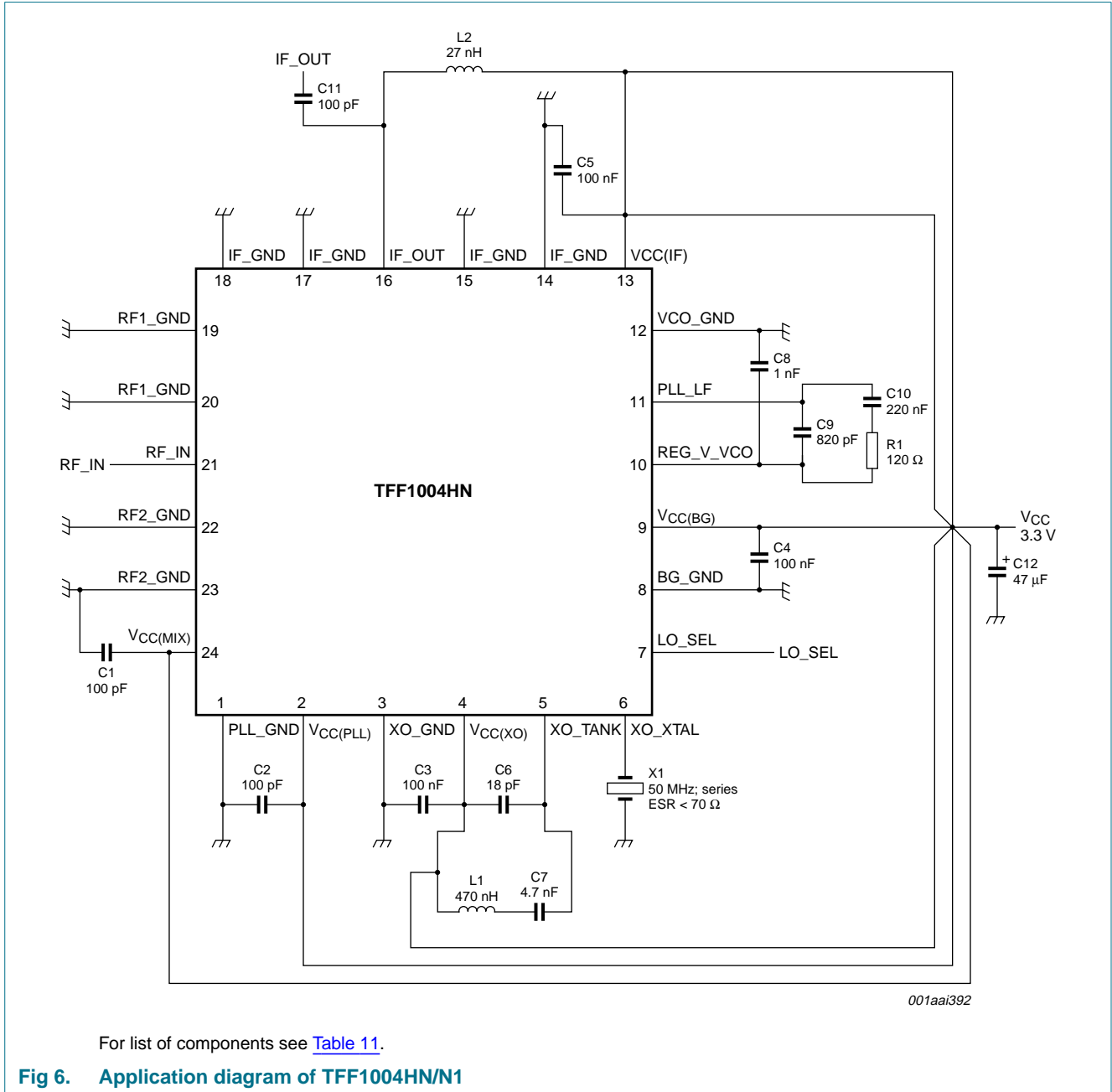


Fig 5. Filter SEI FSCM:67021

13. Application information



For list of components see [Table 11](#).

Fig 6. Application diagram of TFF1004HN/N1

Table 11. List of components

The Printed Circuit Board (PCB) is a Rogers RO4223 ($\epsilon_r = 3.38$); thickness = 0.51 mm.

For application diagram, see [Figure 6](#).

Component	Description	Value	Remarks
C1	decoupling of RF and MIX domain	100 pF	
C2	decoupling of PLL domain	100 pF	
C3	decoupling of XO domain	100 nF	
C4	decoupling of BG domain	100 nF	

Table 11. List of components ...continued

The Printed Circuit Board (PCB) is a Rogers RO4223 ($\epsilon_r = 3.38$); thickness = 0.51 mm.

For application diagram, see [Figure 6](#).

Component	Description	Value	Remarks
C5	decoupling of IF domain	100 nF	
C6	XO_TANK circuit (only with overtone crystal)	18 pF [1]	
C7	XO_TANK circuit, DC coupling (only with overtone crystal)	4.7 nF [1]	
C8	REG_V_VCO decoupling	1 nF	maximum value 1 nF
C9	loop filter	820 pF	
C10	loop filter	220 nF	
C11	output capacitor	100 pF	
C12	main supply decoupling and 22 kHz rejection	47 μ F	
L1	XO_TANK circuit (only with overtone crystal)	470 nH [1]	
L2	RF choke at 2.15 GHz	27 nH	
R1	loop filter	120 Ω	
X1	crystal; series resonant; ESR < 70 Ω	50 MHz [1]	

[1] See [Table 7](#).

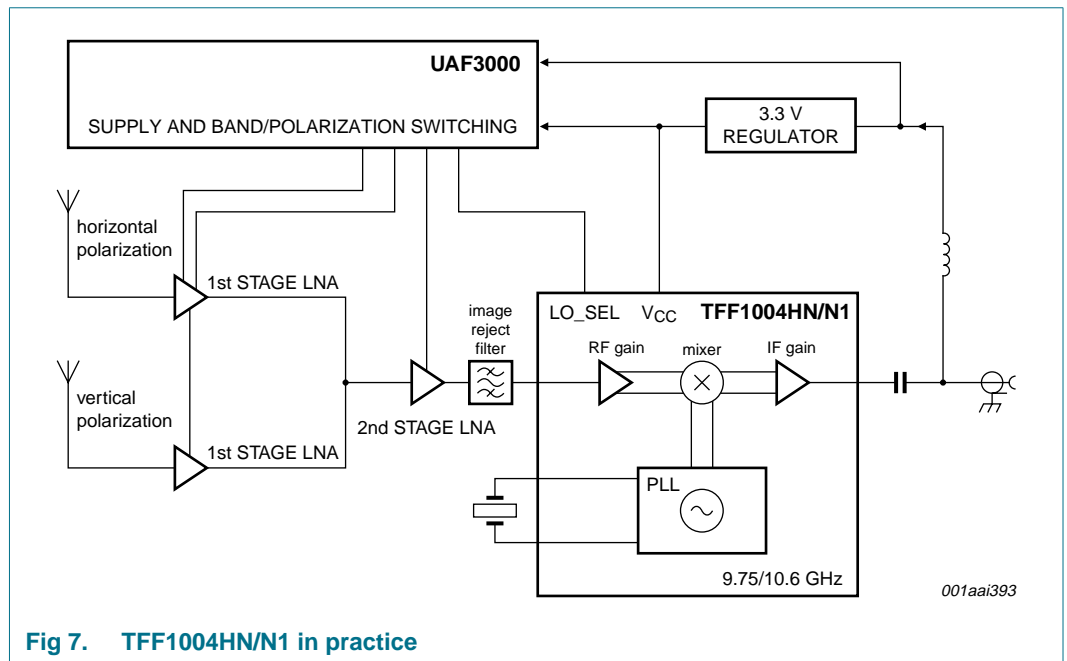


Fig 7. TFF1004HN/N1 in practice

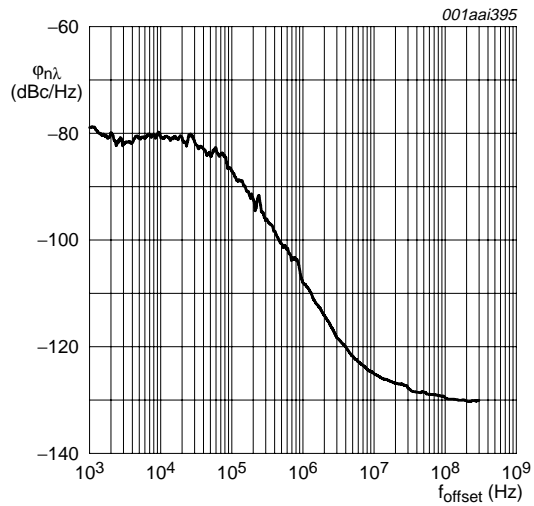
13.1 Graphs

13.1.1 Parameters as function of frequency



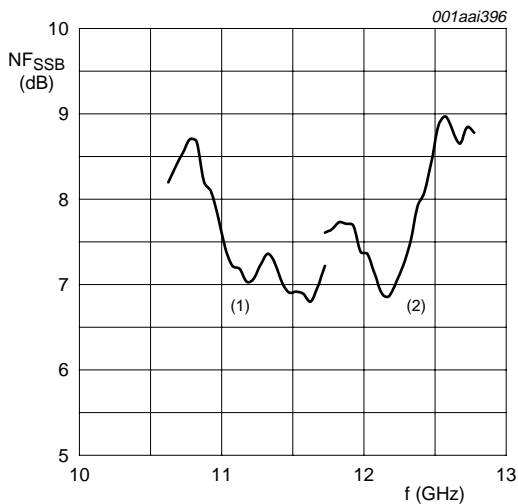
$V_{CC} = 3.3\text{ V}$; $f_{LO} = 9.75\text{ GHz}$.

Fig 8. Phase noise density as function of offset frequency (low band); typical values



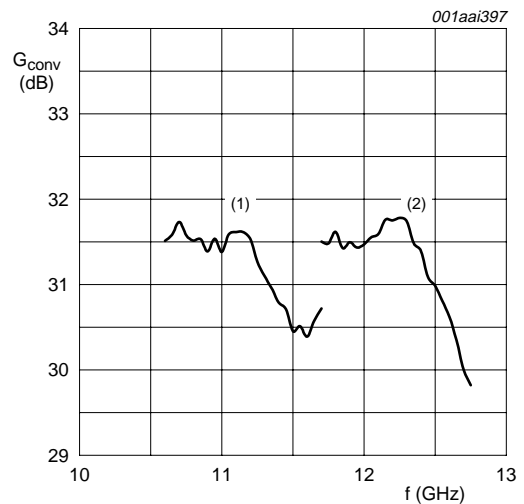
$V_{CC} = 3.3\text{ V}$; $f_{LO} = 10.6\text{ GHz}$.

Fig 9. Phase noise density as function of offset frequency (high band); typical values



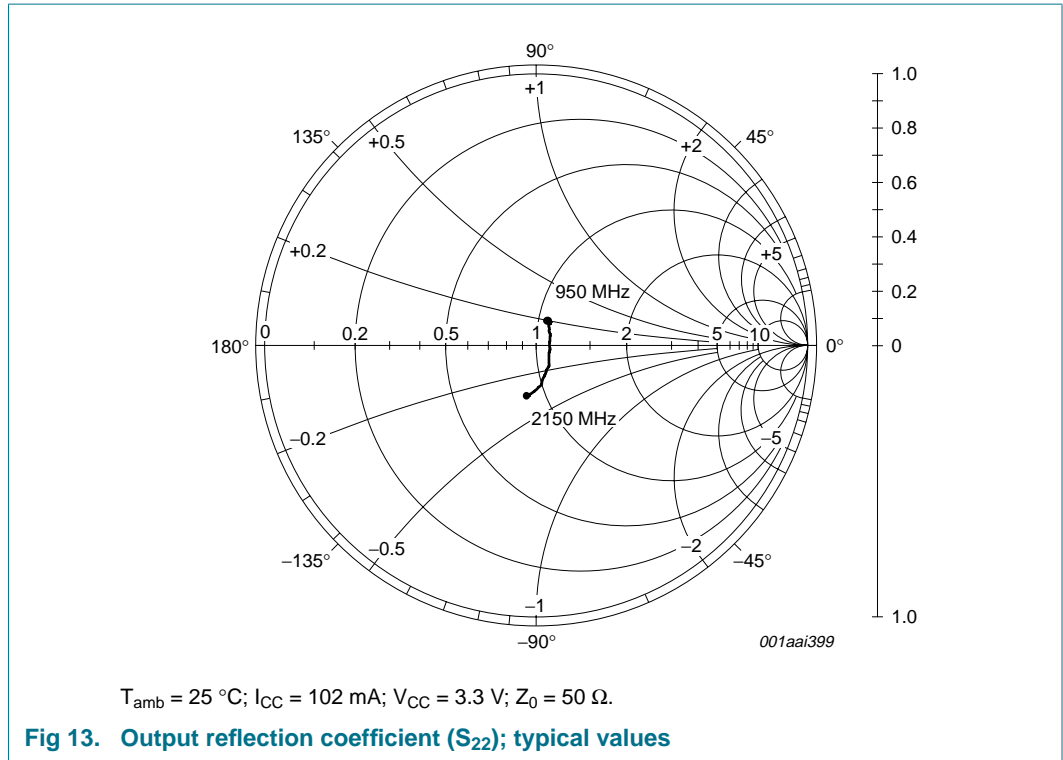
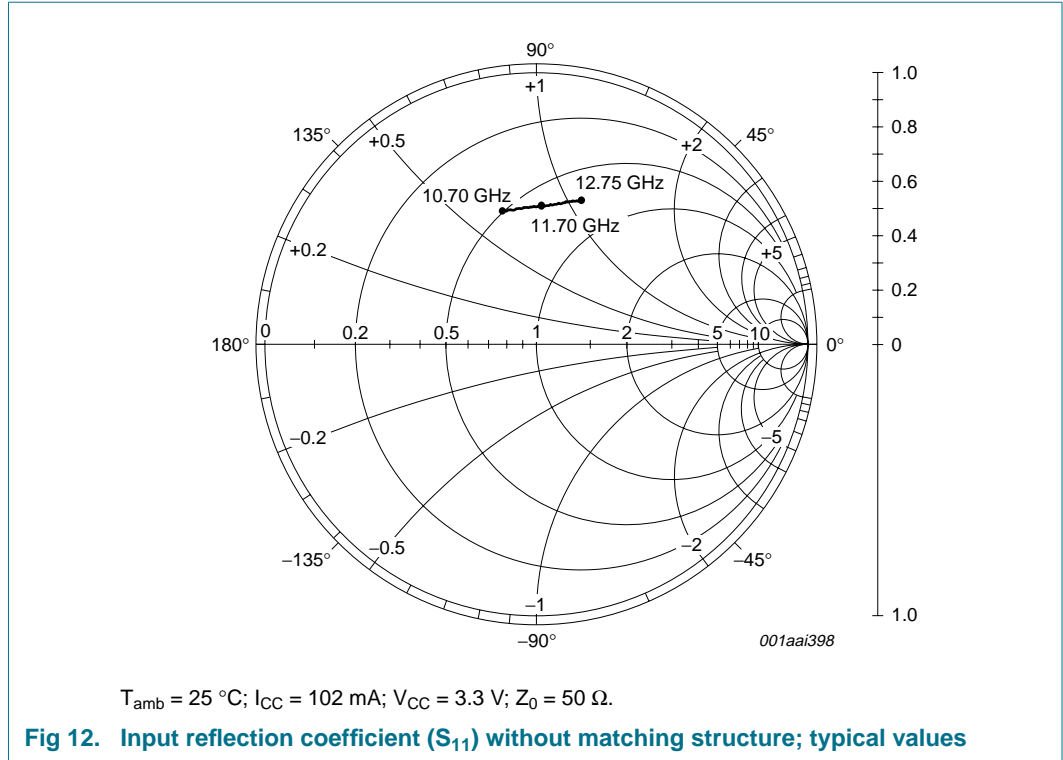
(1) low band
 (2) high band
 $V_{CC} = 3.3\text{ V}$.

Fig 10. Noise figure as function of frequency; typical values

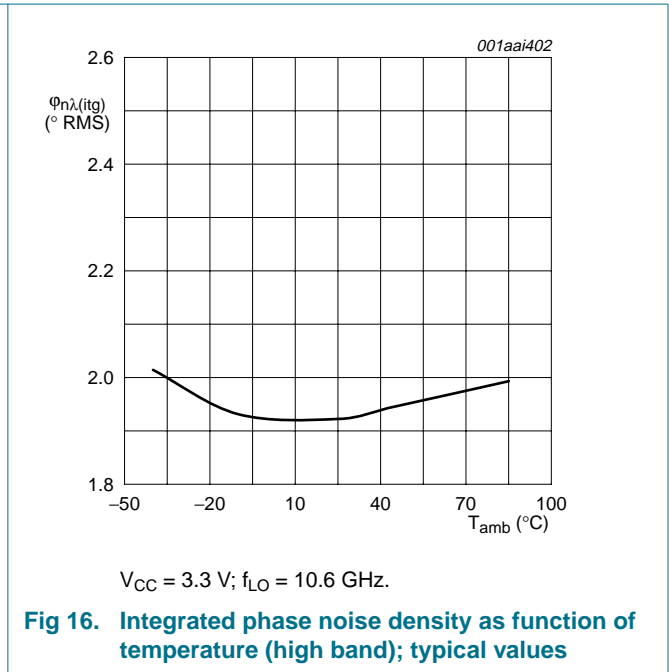
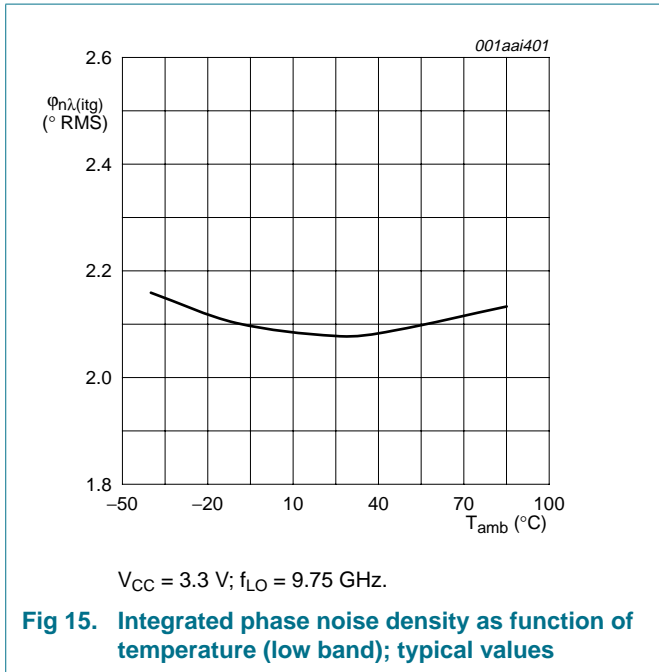
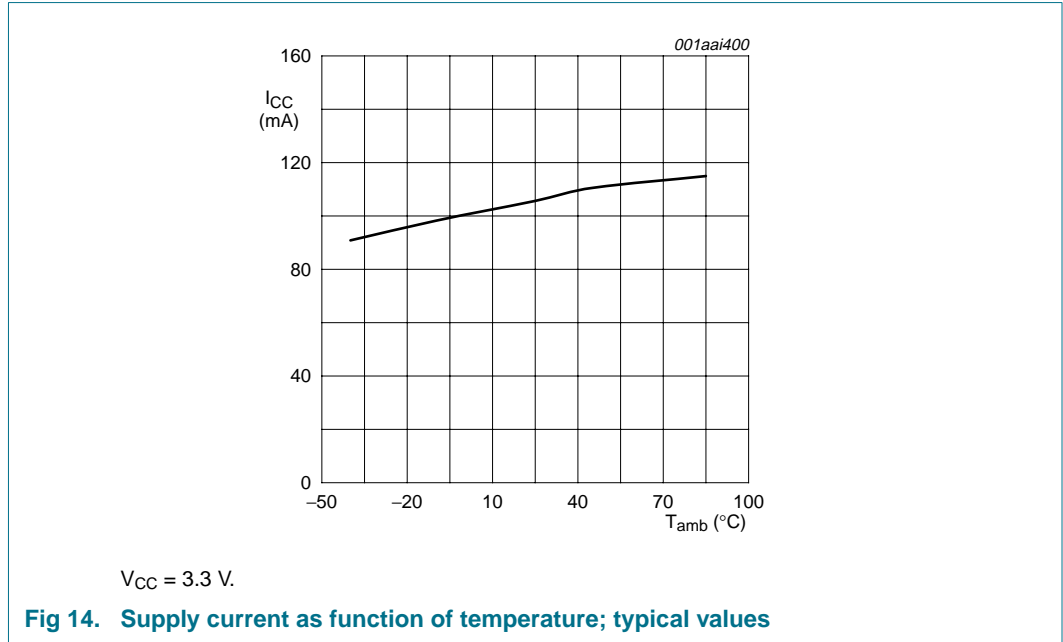


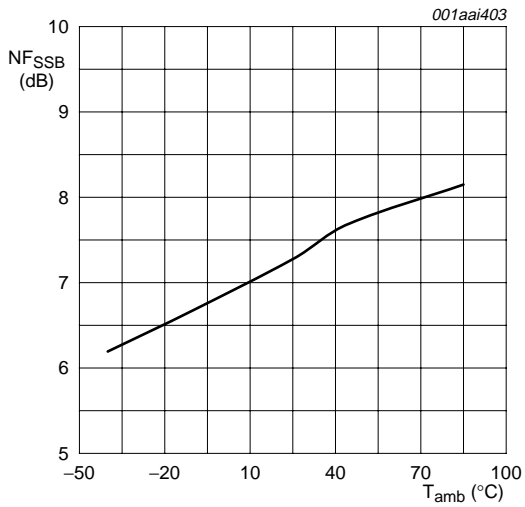
(1) low band
 (2) high band
 $V_{CC} = 3.3\text{ V}$.

Fig 11. Conversion gain as function of frequency; typical values



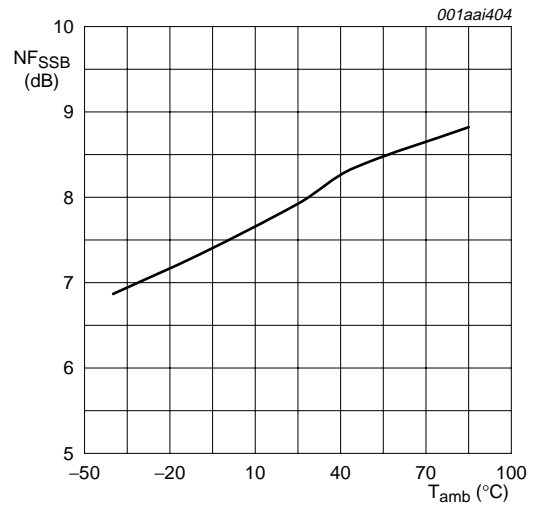
13.1.2 Parameters as function of temperature





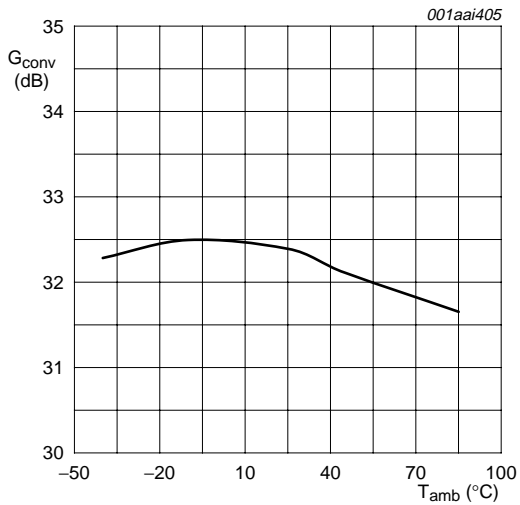
V_{CC} = 3.3 V; f_{LO} = 9.75 GHz; f_{IF} = 1525 MHz.

Fig 17. Single sideband noise figure as function of temperature (low band); typical values



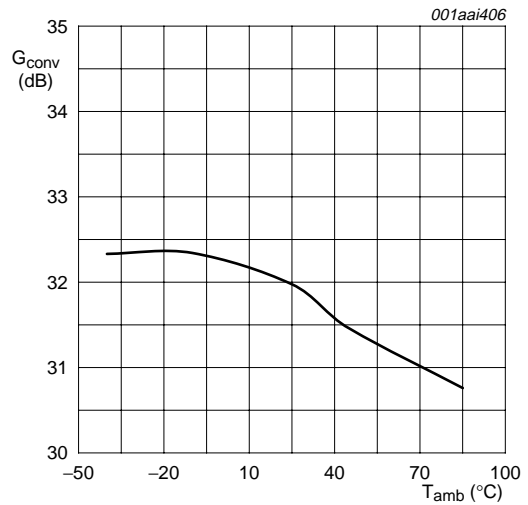
V_{CC} = 3.3 V; f_{LO} = 10.6 GHz; f_{IF} = 1525 MHz.

Fig 18. Single sideband noise figure as function of temperature (high band); typical values



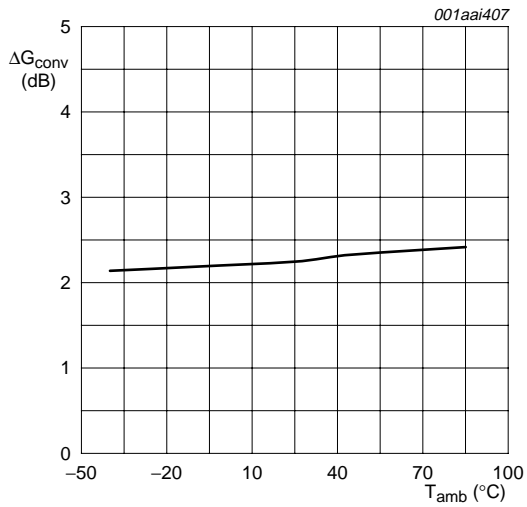
V_{CC} = 3.3 V; f_{LO} = 9.75 GHz; f_{IF} = 1525 MHz.

Fig 19. Conversion gain as function of temperature (low band); typical values



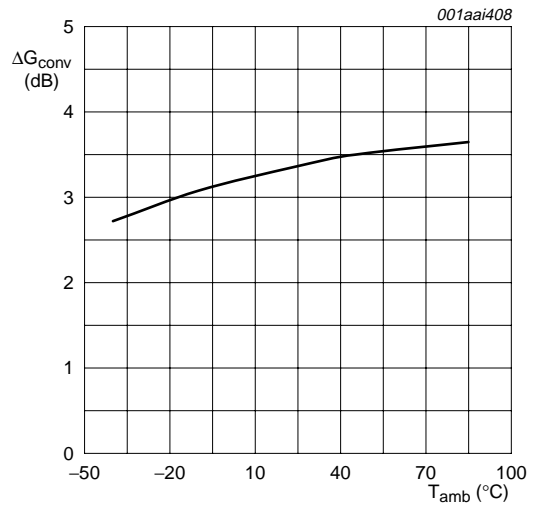
V_{CC} = 3.3 V; f_{LO} = 10.6 GHz; f_{IF} = 1385 MHz.

Fig 20. Conversion gain as function of temperature (high band); typical values



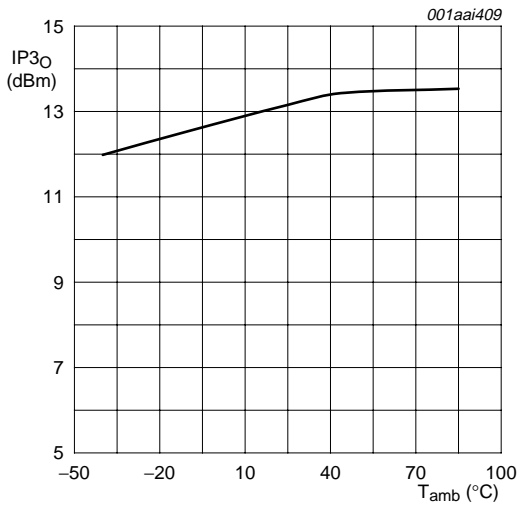
V_{CC} = 3.3 V; f_{LO} = 9.75 GHz.

Fig 21. Conversion gain variation as function of temperature (low band); typical values



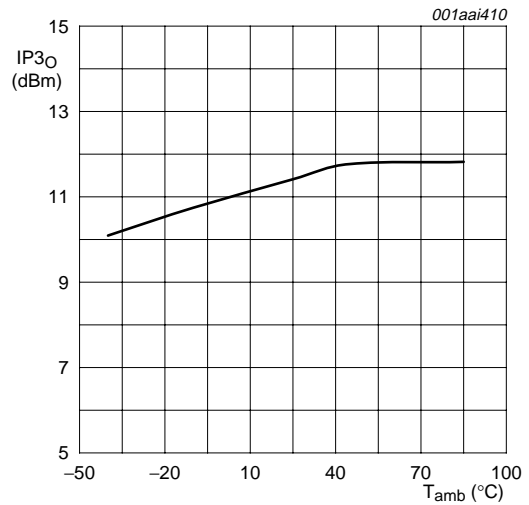
V_{CC} = 3.3 V; f_{LO} = 10.6 GHz.

Fig 22. Conversion gain variation as function of temperature (high band); typical values



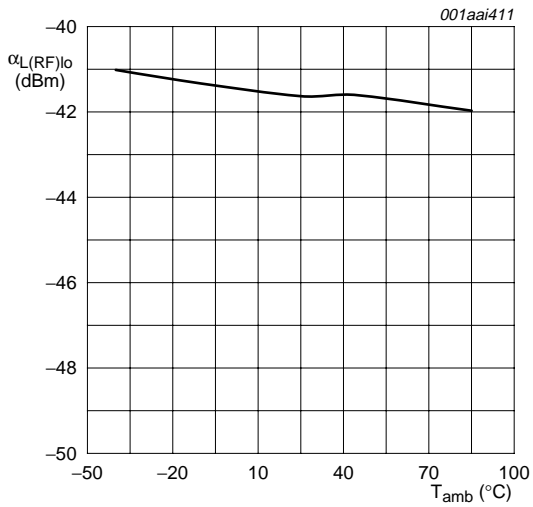
V_{CC} = 3.3 V; f_{LO} = 9.75 GHz.

Fig 23. Output third-order intercept point as function of temperature (low band); typical values



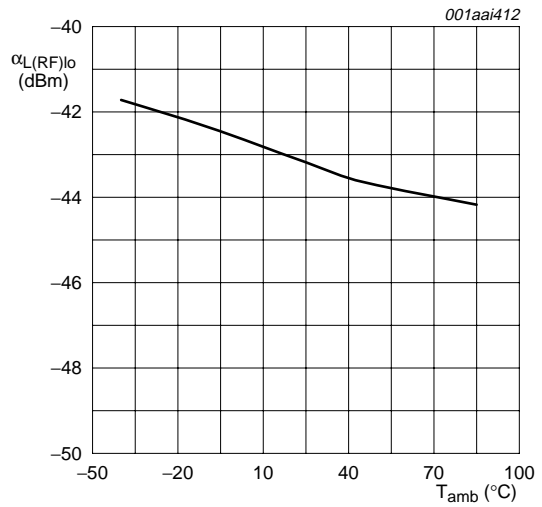
V_{CC} = 3.3 V; f_{LO} = 10.6 GHz.

Fig 24. Output third-order intercept point as function of temperature (high band); typical values



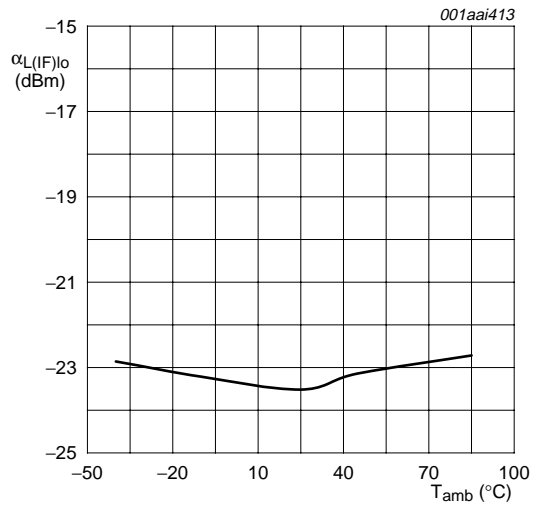
V_{CC} = 3.3 V; f_{LO} = 9.75 GHz.

Fig 25. Local oscillator RF leakage as function of temperature (low band); typical values



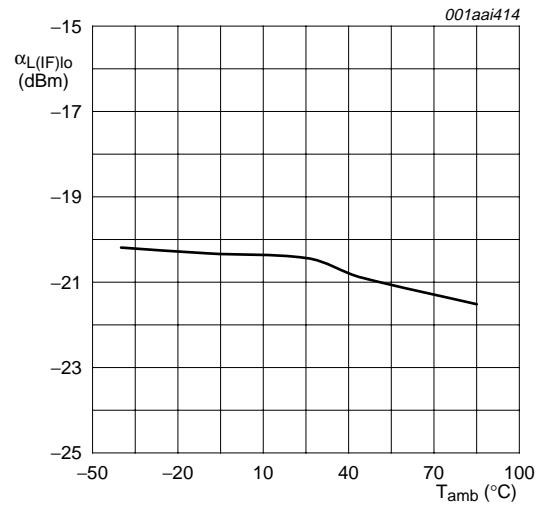
V_{CC} = 3.3 V; f_{LO} = 10.6 GHz.

Fig 26. Local oscillator RF leakage as function of temperature (high band); typical values



V_{CC} = 3.3 V; f_{LO} = 9.75 GHz.

Fig 27. Local oscillator IF leakage as function of temperature (low band); typical values



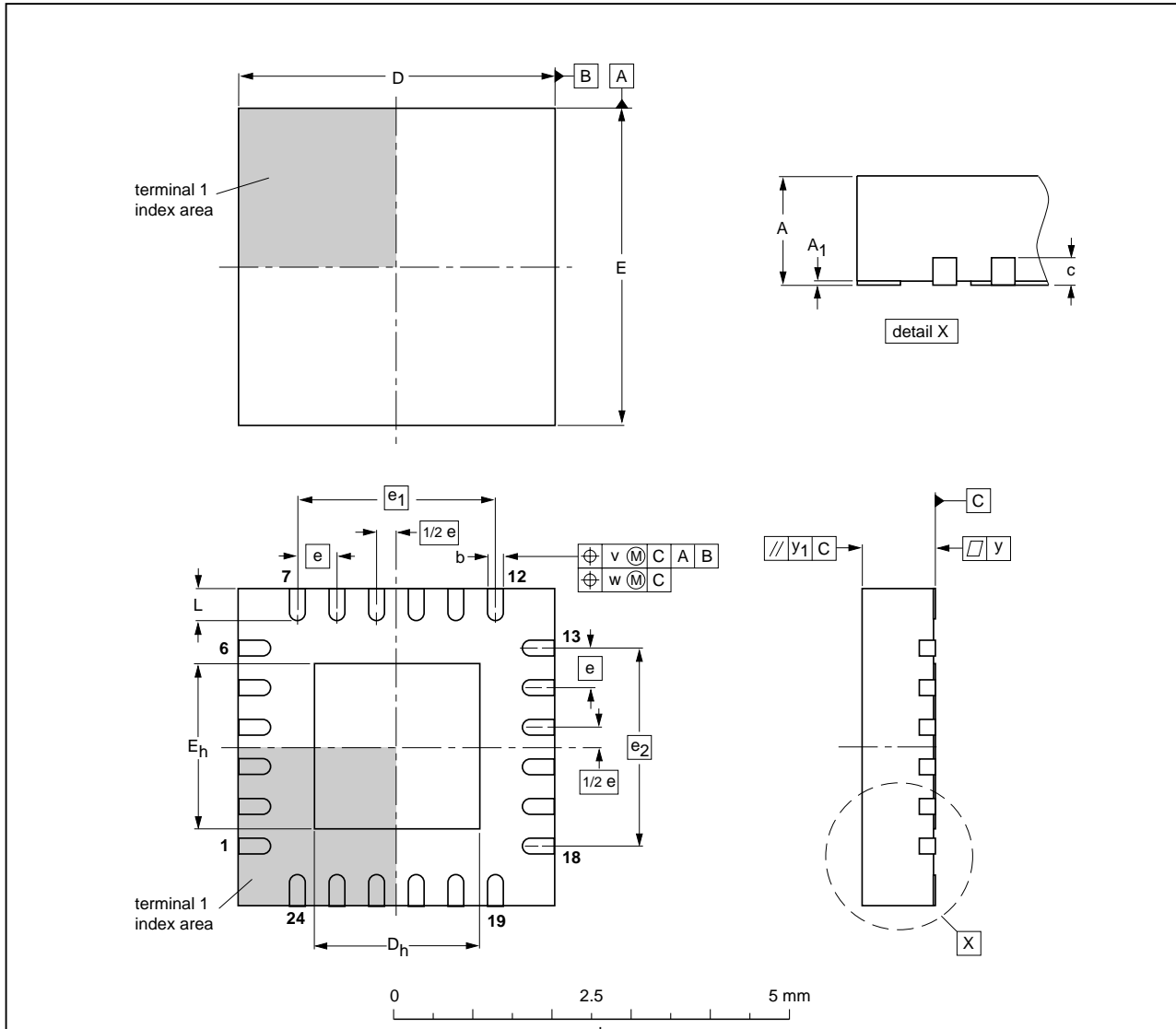
V_{CC} = 3.3 V; f_{LO} = 10.6 GHz.

Fig 28. Local oscillator IF leakage as function of temperature (high band); typical values

14. Package outline

HVQFN24: plastic thermal enhanced very thin quad flat package; no leads; 24 terminals; body 4 x 4 x 0.85 mm

SOT616-1



DIMENSIONS (mm are the original dimensions)

UNIT	A ⁽¹⁾ max.	A ₁	b	c	D ⁽¹⁾	D _h	E ⁽¹⁾	E _h	e	e ₁	e ₂	L	v	w	y	y ₁
mm	1	0.05 0.00	0.30 0.18	0.2	4.1 3.9	2.25 1.95	4.1 3.9	2.25 1.95	0.5	2.5	2.5	0.5 0.3	0.1	0.05	0.05	0.1

Note

1. Plastic or metal protrusions of 0.075 mm maximum per side are not included.

OUTLINE VERSION	REFERENCES				EUROPEAN PROJECTION	ISSUE DATE
	IEC	JEDEC	JEITA			
SOT616-1	---	MO-220	---			01-08-08- 02-10-22

Fig 29. Package outline SOT616-1

15. Abbreviations

Table 12. Abbreviations

Acronym	Description
BG	Band Gap
DVB-S	Digital Video Broadcasting by Satellite
ESR	Equivalent Series Resistance
IC	Integrated Circuit
IF	Intermediate Frequency
K _u band	K-under band
LO	Local Oscillator
PFD	Phase Frequency Detector
PLL	Phase-Locked Loop
RBW	Resolution BandWidth
RF	Radio Frequency
VBW	Video BandWidth
VCO	Voltage-Controlled Oscillator
XO	Crystal Oscillator

16. Revision history

Table 13. Revision history

Document ID	Release date	Data sheet status	Change notice	Supersedes
TFF1004HN_N1_1	20080825	Product data sheet	-	-

17. Legal information

17.1 Data sheet status

Document status ^{[1][2]}	Product status ^[3]	Definition
Objective [short] data sheet	Development	This document contains data from the objective specification for product development.
Preliminary [short] data sheet	Qualification	This document contains data from the preliminary specification.
Product [short] data sheet	Production	This document contains the product specification.

[1] Please consult the most recently issued document before initiating or completing a design.

[2] The term 'short data sheet' is explained in section "Definitions".

[3] The product status of device(s) described in this document may have changed since this document was published and may differ in case of multiple devices. The latest product status information is available on the Internet at URL <http://www.nxp.com>.

17.2 Definitions

Draft — The document is a draft version only. The content is still under internal review and subject to formal approval, which may result in modifications or additions. NXP Semiconductors does not give any representations or warranties as to the accuracy or completeness of information included herein and shall have no liability for the consequences of use of such information.

Short data sheet — A short data sheet is an extract from a full data sheet with the same product type number(s) and title. A short data sheet is intended for quick reference only and should not be relied upon to contain detailed and full information. For detailed and full information see the relevant full data sheet, which is available on request via the local NXP Semiconductors sales office. In case of any inconsistency or conflict with the short data sheet, the full data sheet shall prevail.

17.3 Disclaimers

General — Information in this document is believed to be accurate and reliable. However, NXP Semiconductors does not give any representations or warranties, expressed or implied, as to the accuracy or completeness of such information and shall have no liability for the consequences of use of such information.

Right to make changes — NXP Semiconductors reserves the right to make changes to information published in this document, including without limitation specifications and product descriptions, at any time and without notice. This document supersedes and replaces all information supplied prior to the publication hereof.

Suitability for use — NXP Semiconductors products are not designed, authorized or warranted to be suitable for use in medical, military, aircraft, space or life support equipment, nor in applications where failure or malfunction of an NXP Semiconductors product can reasonably be expected to result in personal injury, death or severe property or environmental

damage. NXP Semiconductors accepts no liability for inclusion and/or use of NXP Semiconductors products in such equipment or applications and therefore such inclusion and/or use is at the customer's own risk.

Applications — Applications that are described herein for any of these products are for illustrative purposes only. NXP Semiconductors makes no representation or warranty that such applications will be suitable for the specified use without further testing or modification.

Limiting values — Stress above one or more limiting values (as defined in the Absolute Maximum Ratings System of IEC 60134) may cause permanent damage to the device. Limiting values are stress ratings only and operation of the device at these or any other conditions above those given in the Characteristics sections of this document is not implied. Exposure to limiting values for extended periods may affect device reliability.

Terms and conditions of sale — NXP Semiconductors products are sold subject to the general terms and conditions of commercial sale, as published at <http://www.nxp.com/profile/terms>, including those pertaining to warranty, intellectual property rights infringement and limitation of liability, unless explicitly otherwise agreed to in writing by NXP Semiconductors. In case of any inconsistency or conflict between information in this document and such terms and conditions, the latter will prevail.

No offer to sell or license — Nothing in this document may be interpreted or construed as an offer to sell products that is open for acceptance or the grant, conveyance or implication of any license under any copyrights, patents or other industrial or intellectual property rights.

Quick reference data — The Quick reference data is an extract of the product data given in the Limiting values and Characteristics sections of this document, and as such is not complete, exhaustive or legally binding.

17.4 Trademarks

Notice: All referenced brands, product names, service names and trademarks are the property of their respective owners.

18. Contact information

For more information, please visit: <http://www.nxp.com>

For sales office addresses, please send an email to: salesaddresses@nxp.com

19. Contents

1 **General description** 1

2 **Features** 1

3 **Applications** 1

4 **Quick reference data** 1

5 **Ordering information** 2

6 **Block diagram** 3

7 **Functional diagram** 3

8 **Pinning information** 4

8.1 Pinning 4

8.2 Pin description 4

9 **Limiting values** 5

10 **Recommended operating conditions** 5

11 **Thermal characteristics** 6

12 **Characteristics** 6

13 **Application information** 8

13.1 Graphs 10

13.1.1 Parameters as function of frequency 10

13.1.2 Parameters as function of temperature 12

14 **Package outline** 16

15 **Abbreviations** 17

16 **Revision history** 17

17 **Legal information** 18

17.1 Data sheet status 18

17.2 Definitions 18

17.3 Disclaimers 18

17.4 Trademarks 18

18 **Contact information** 18

19 **Contents** 19

Please be aware that important notices concerning this document and the product(s) described herein, have been included in section 'Legal information'.



© NXP B.V. 2008. **All rights reserved.**
 For more information, please visit: <http://www.nxp.com>
 For sales office addresses, please send an email to: salesaddresses@nxp.com
 Date of release: 25 August 2008
 Document identifier: TFF1004HN_N1_1