

# DATA SHEET

## **TEA6300** **TEA6300T** Sound fader control circuit

Product specification  
File under Integrated Circuits, IC01

May 1990

## Sound fader control circuit

TEA6300  
TEA6300T

### GENERAL DESCRIPTION

The Sound Fader Control circuit (SOFAC) is an I<sup>2</sup>C-bus controlled preamplifier for car radios.



### Features

- Source selector for three stereo inputs
- Inputs and outputs for noise reduction circuits
- Volume and balance control; control range of 86 dB in steps of 2 dB
- Bass and treble control from + 15 dB (treble 12 dB) to -12 dB in steps of 3 dB
- Fader control from 0 dB to -30 dB in steps of 2 dB
- Fast muting
- Low noise suitable for DOLBY\* B and C NR (noise reduction)
- Signal handling suitable for compact disc
- I<sup>2</sup>C-bus control for all functions
- ESD protected

### QUICK REFERENCE DATA

| SYMBOL              | PARAMETER  | MIN. | TYP. | MAX.   | UNIT |
|---------------------|--|------|------|--------|------|
| V <sub>CC</sub>     | Supply voltage                                       | 7,0  | 8,5  | 13,2   | V    |
| V <sub>i(rms)</sub> | Input sensitivity for full power at the output stage | -    | 50   | -      | mV   |
| V <sub>i(rms)</sub> | Input signal handling                                | -    | 1,65 | -      | V    |
| f <sub>r</sub>      | Frequency response                                   | 35   | -    | 20 000 | Hz   |
| α <sub>CS</sub>     | Channel separation; f = 250 Hz to 10 kHz             | 70   | 92   | -      | dB   |
| THD                 | Total harmonic distortion                            | -    | 0,05 | -      | %    |
| (S+N)/N             | Signal plus noise-to-noise ratio                     | -    | 80   | -      | dB   |
| T <sub>amb</sub>    | Operating ambient temperature range                  | -40  | -    | + 85   | °C   |

\* Dolby is a registered trademark of Dolby Laboratories Licensing Corporation, San Francisco, California (U.S.A.).

### PACKAGE OUTLINES

28-lead dual in-line; plastic (SOT117); SOT117-1; 1996 August 15.

28-lead mini-pack; plastic (SO28; SOT136A); SOT136-1; 1996 August 15.

Sound fader control circuit

TEA6300  
TEA6300T

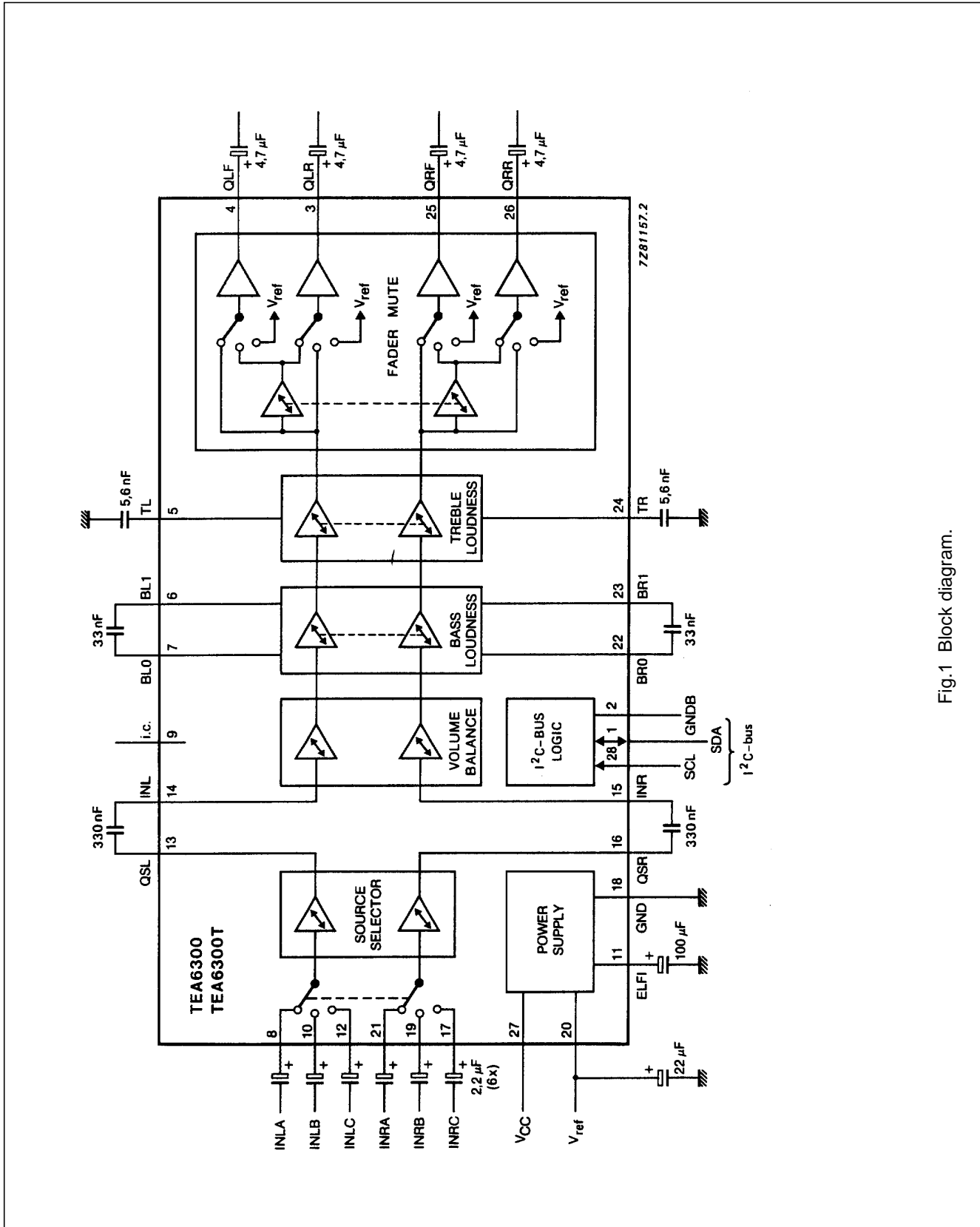


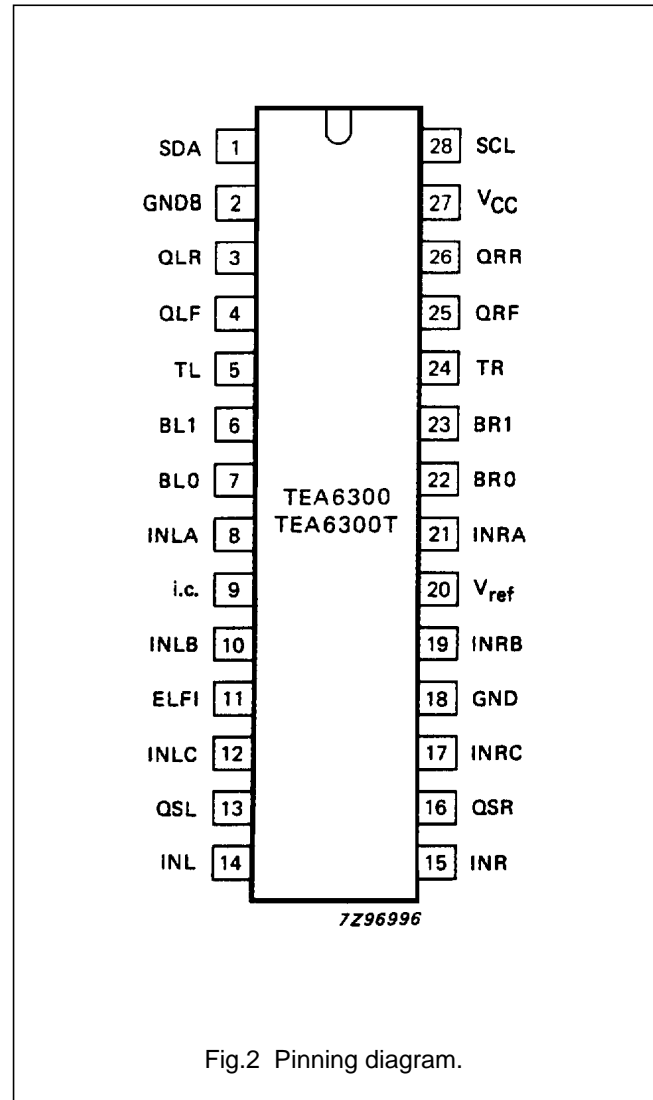
Fig.1 Block diagram.

Sound fader control circuit

TEA6300  
TEA6300T

**PINNING**

|    |                  |   |
|----|------------------|---|
| 1  | SDA              | serial data input/output (I <sup>2</sup> C-bus) |
| 2  | GNDB             | ground for I <sup>2</sup> C-bus terminals       |
| 3  | QLR              | output left rear                                |
| 4  | QLF              | output left front                               |
| 5  | TL               | treble control capacitor; left channel          |
| 6  | BL1              | bass control capacitor; left channel            |
| 7  | BLO              | bass control capacitor; left channel            |
| 8  | INLA             | input left source A                             |
| 9  | i.c.             | internally connected                            |
| 10 | INLB             | input left source B                             |
| 11 | ELFI             | electronic filtering for supply                 |
| 12 | INLC             | input left source C                             |
| 13 | QSL              | output source selector left                     |
| 14 | INL              | input left control part                         |
| 15 | INR              | input right control part                        |
| 16 | QSR              | output source selector right                    |
| 17 | INRC             | input right source C                            |
| 18 | GND              | ground  |
| 19 | INRB             | input right source B                            |
| 20 | V <sub>ref</sub> | reference voltage (1/2 V <sub>CC</sub> )        |
| 21 | INRA             | input right source A                            |
| 22 | BRO              | bass control capacitor; right channel           |
| 23 | BR1              | bass control capacitor; right channel           |
| 24 | TR               | treble control capacitor; right channel         |
| 25 | QRF              | output right front                              |
| 26 | QRR              | output right rear                               |
| 27 | V <sub>CC</sub>  | supply voltage                                  |
| 28 | SCL              | serial clock input (I <sup>2</sup> C-bus)       |



---

**Sound fader control circuit**
**TEA6300**  
**TEA6300T**


---

**FUNCTIONAL DESCRIPTION**

The source selector selects three stereo channels –RF part (AM/FM), recorder and compact disc. As the outputs of the source selector and the inputs of the main control part are available, additional circuits such as compander and equalizer systems may be inserted into the signal path. The AC signal setting is performed by resistor chains in combination with multi-input operational amplifiers. The advantage of this principle is the combination of low noise, low distortion and a high dynamic range for the circuit.

The separate volume controls of the left and the right channel facilitate correct balance control. The range and balance control is software programmable.

Because the TEA6300 has four outputs a low-level fader is included. The fader control is independent of the volume control and an extra mute position is built in for the front, the rear or for all channels. The last function may be used for muting during preset selection. An extra pop suppression circuit is built in for pop-free switching on and off. As all switching and control functions are controllable via the two-wire I<sup>2</sup>C-bus, no external interface between the microcomputer and the TEA6300 is required.

The on-chip power-on-reset sets the TEA6300 to the general mute mode.

**RATINGS**

Limiting values in accordance with the Absolute Maximum System (IEC 134)

| SYMBOL           | PARAMETER                           | MIN. | MAX. | UNIT |
|------------------|-------------------------------------|------|------|------|
| V <sub>CC</sub>  | Supply voltage (pin 27-18)          | –    | 16   | V    |
| P <sub>tot</sub> | Maximum power dissipation           | –    | 1    | W    |
| T <sub>stg</sub> | Storage temperature range           | –55  | +150 | °C   |
| T <sub>amb</sub> | Operating ambient temperature range | –40  | + 85 | °C   |

## Sound fader control circuit

TEA6300  
TEA6300T**CHARACTERISTICS** $V_{CC} = 8,5 \text{ V}$ ;  $R_S = 600 \ \Omega$ ;  $R_L = 10 \text{ k}\Omega$ ;  $f = 1 \text{ kHz}$ ;  $T_{amb} = 25 \text{ }^\circ\text{C}$ ; test circuit Fig.10; unless otherwise specified

| SYMBOL        | PARAMETER  | MIN. | TYP. | MAX.   | UNIT     |
|---------------|--|------|------|--------|----------|
| $V_{CC}$      | Supply voltage   | 7,0  | 8,5  | 13,2   | V        |
| $I_{CC}$      | Supply current   | –    | 26   | –      | mA       |
| $I_{CC}$      | Supply current at 8,5 V  | –    | –    | 33     | mA       |
| $I_{CC}$      | Supply current at 13,2 V   | –    | –    | 44     | mA       |
| $V_{DC}$      | DC voltage<br>inputs, outputs and reference  | 0,45 | 0,5  | 0,55   | $V_{CC}$ |
| $V_{REF}$     | Internal reference voltage (pin 20)<br>$V_{ref} = 0,5 V_{CC}$  | –    | 4,25 | –      | V        |
| $G_v$         | Maximum voltage gain<br>bass and treble linear, fader off  | 19   | 20   | 21     | dB       |
| $V_{o(rms)}$  | Output voltage level<br>for $P_{max}$ at the output stage  | –    | 500  | –      | mV       |
| $V_{o(rms)}$  | for start of clipping  | –    | 1000 | –      | mV       |
| $V_{i(rms)}$  | Input sensitivity<br>at $V_o = 500 \text{ mV}$   | –    | 50   | –      | mV       |
| $f_r$         | Frequency response<br>bass and treble linear; roll-off<br>frequency –1 dB  | 35   | –    | 20 000 | Hz       |
| $\alpha_{CS}$ | Channel separation<br>$G_v = 0 \text{ dB}$ ; bass and treble linear;<br>frequency range 250 Hz to 10 kHz                         | 70   | 92   | –      | dB       |
| THD           | Total harmonic distortion<br>frequency range 20 Hz to 12,5 kHz<br>$V_i = 50 \text{ mV}$ ; $G_v = 20 \text{ dB}$                  | –    | 0,1  | 0,3    | %        |
| THD           | $V_i = 500 \text{ mV}$ ; $G_v = 0 \text{ dB}$  | –    | 0,05 | 0,2    | %        |
| THD           | $V_i = 1,6 \text{ V}$ ; $G_v = -10 \text{ dB}$   | –    | 0,2  | 0,5    | %        |
| $RR_{100}$    | Ripple rejection<br>$V_{r(rms)} < 200 \text{ mV}$ ; $G_v = 0 \text{ dB}$ ;<br>bass and treble linear;<br>at $f = 100 \text{ Hz}$ | –    | 70   | –      | dB       |
| $RR_{range}$  | at $f = 40 \text{ Hz to } 12,5 \text{ kHz}$  | –    | 60   | –      | dB       |

## Sound fader control circuit

TEA6300  
TEA6300T

| SYMBOL                             | PARAMETER  | MIN. | TYP. | MAX. | UNIT          |
|------------------------------------|--|------|------|------|---------------|
|                                    | Signal plus noise-to-noise ratio<br>bass and treble linear; notes 1 and 2<br>CCIR 468-2 weighted; quasi peak |      |      |      |               |
| (S + N)/N                          | $V_i = 50 \text{ mV}; V_o = 46 \text{ mV}; P_o = 50 \text{ mW}$  | –    | 65   | –    | dB            |
| (S + N)/N                          | $V_i = 500 \text{ mV}; V_o = 45 \text{ mV}; P_o = 50 \text{ mW}$   | –    | 67   | –    | dB            |
| (S + N)/N                          | $V_i = 50 \text{ mV}; V_o = 200 \text{ mV}; P_o = 1 \text{ W}$   | 65   | 70   | –    | dB            |
| (S + N)/N                          | $V_i = 500 \text{ mV}; V_o = 200 \text{ mV}; P_o = 1 \text{ W}$  | 65   | 78   | –    | dB            |
| (S + N)/N                          | $V_i = 50 \text{ mV}; V_o = 500 \text{ mV}; P_o = 6 \text{ W}$   | –    | 70   | –    | dB            |
| (S + N)/N                          | $V_i = 500 \text{ mV}; V_o = 500 \text{ mV}; P_o = 6 \text{ W}$  | –    | 85   | –    | dB            |
|                                    | Noise output power<br>mute position, only contribution of<br>TEA6300; power amplifier for 25 W               | –    | –    | 10   | nW            |
|                                    | Crosstalk ( $20 \log V_{\text{bus(p-p)}}/V_{o(\text{rms})}$ )<br>between bus inputs and signal outputs       |      |      |      |               |
| $\alpha_B$                         | $G_V = 0 \text{ dB}$ ; bass and treble linear  | –    | 110  | –    | dB            |
| <b>Source selector</b>             |  |      |      |      |               |
| $Z_i$                              | Input impedance  | 20   | 30   | 40   | k $\Omega$    |
| $Z_o$                              | Output impedance   | –    | –    | 100  | $\Omega$      |
| $R_L$                              | Output load resistance   | 10   | –    | –    | k $\Omega$    |
| $C_L$                              | Output load capacity   | 0    | –    | 200  | pF            |
|                                    | Input isolation<br>not selected source; frequency range<br>40 Hz to 12,5 kHz                                 | –    | 80   | –    | dB            |
| $\alpha_S$                         | Voltage gain<br>$R_L \geq 10 \text{ k}\Omega$  | –    | 0    | –    | dB            |
| $V_{b \text{ int}}/V_{\text{ref}}$ | Internal bias voltage ratio  | –    | 1    | –    |               |
|                                    | Maximum input voltage level (RMS value)  |      |      |      |               |
| $V_{i(\text{rms})}$                | THD < 0,5%   | –    | 1,65 | –    | V             |
| $V_{i(\text{rms})}$                | THD < 0,5%; $V_{CC} = 7,5 \text{ V}$   | –    | 1,5  | –    | V             |
|                                    | Total harmonic distortion  |      |      |      |               |
| THD                                | $V_i = 500 \text{ mV}; R_L = 10 \text{ k}\Omega$   | –    | –    | 0,1  | %             |
|                                    | Noise output voltage<br>weighted CCIR 468-2, quasi peak  | –    | 9    | 20   | $\mu\text{V}$ |
| $V_{no}$                           | DC offset voltage<br>between any inputs  | –    | –    | 10   | mV            |
| $V_o$                              |  |      |      |      |               |

## Sound fader control circuit

TEA6300  
TEA6300T

| SYMBOL                | PARAMETER  | MIN. | TYP. | MAX. | UNIT       |
|-----------------------|--|------|------|------|------------|
| <b>Control part</b>   |  |      |      |      |            |
| $Z_i$                 | Source selector disconnected,<br>source resistance 600 $\Omega$<br>Input impedance                                 | 35   | 50   | 65   | k $\Omega$ |
| $Z_o$                 | Output impedance   | –    | 100  | 150  | $\Omega$   |
| $R_L$                 | Output load resistance   | 5    | –    | –    | k $\Omega$ |
| $C_L$                 | Output load capacity   | 0    | –    | 2500 | pF         |
| $V_{i(rms)}$          | Maximum input voltage<br>THD < 0,5%; $G_v = -10$ dB;<br>bass and treble linear                                     | –    | 2,0  | –    | V          |
| $V_{no}$              | Noise output voltage<br>weighted acc CCIR 468-2, quasi-peak,<br>bass and treble linear, fader off<br>$G_v = 20$ dB | –    | 110  | 220  | $\mu$ V    |
| $V_{no}$              | $G_v = 0$ dB   | –    | 25   | 50   | $\mu$ V    |
| $V_{no}$              | $G_v = -66$ dB   | –    | 19   | 38   | $\mu$ V    |
| $V_{no}$              | mute position  | –    | 11   | 22   | $\mu$ V    |
| <b>Volume control</b> |  |      |      |      |            |
| $G_c$                 | Continuous control range   | –    | 86   | –    | dB         |
|                       | Step resolution  | –    | 2    | –    | dB         |
| $\Delta G_a$          | Attenuator set error<br>( $G_v = +20$ to $-50$ dB)   | –    | –    | 2    | dB         |
| $\Delta G_a$          | Attenuator set error<br>( $G_v = +20$ to $-66$ dB)   | –    | –    | 3    | dB         |
| $\Delta G_t$          | Gain tracking error<br>balance in mid position,<br>bass and treble linear  | –    | –    | 2    | dB         |
| $\alpha_m$            | Mute attenuation   | 72   | 90   | –    | dB         |
| <b>DC step offset</b> |  |      |      |      |            |
|                       | Between any adjoining step<br>and any step to mute<br>$G_v = 0$ to $-66$ dB  | –    | 0,2  | 10   | mV         |
|                       | $G_v = 20$ to $0$ dB   | –    | 2    | 15   | mV         |
|                       | In any treble and fader position<br>$G_v = 0$ to $-66$ dB  | –    | –    | 10   | mV         |
|                       | In any bass position<br>$G_v = 0$ to $-66$ dB  | –    | –    | 20   | mV         |



## Sound fader control circuit

TEA6300  
TEA6300T

| SYMBOL                    | PARAMETER   | MIN. | TYP. | MAX.  | UNIT    |
|---------------------------|---|------|------|-------|---------|
| <b>Bass control</b>       |   |      |      |       |         |
| $G_b$                     | Bass control range<br>f = 40 Hz; maximum boost  | 14   | 15   | 16    | dB      |
| $G_b$                     | f = 40 Hz; maximum attenuation  | 11   | 12   | 13    | dB      |
|                           | Step resolution   | –    | 3    | –     | dB      |
|                           | Step error  | –    | –    | 0,5   | dB      |
| <b>Treble control</b>     |   |      |      |       |         |
| $G_t$                     | Treble control range<br>f = 15 kHz; maximum boost   | 11   | 12   | 13    | dB      |
| $G_t$                     | f = 15 kHz; maximum attenuation   | 11   | 12   | 13    | dB      |
| $G_t$                     | f > 15 kHz; maximum boost   | –    | –    | 15    | dB      |
|                           | Step resolution   | –    | 3    | –     | dB      |
|                           | Step error  | –    | –    | 0,5   | dB      |
| <b>Fader control</b>      |   |      |      |       |         |
| $G_f$                     | Continuous attenuation<br>fader control range   | –    | 30   | –     | dB      |
|                           | Step resolution   | –    | 2    | –     | dB      |
|                           | Attenuator set error  | –    | –    | 1,5   | dB      |
| $\alpha_m$                | Mute attenuation  | 74   | 84   | –     | dB      |
| <b>Digital part</b>       |   |      |      |       |         |
| <i>Bus terminals</i>      |   |      |      |       |         |
| $V_{IH}$                  | Input voltage<br>HIGH   | 3    | –    | 12    | V       |
| $V_{IL}$                  | LOW   | –0,3 | –    | + 1,5 | V       |
| $I_{IH}$                  | Input current<br>HIGH   | –10  | –    | +10   | $\mu$ A |
| $I_{IL}$                  | LOW   | –10  | –    | +10   | $\mu$ A |
| $V_{OL}$                  | Output voltage LOW; $I_L = 3$ mA  | –    | –    | 0,4   | V       |
| <i>AC characteristics</i> | In accordance with the I2C-bus specification  |      |      |       |         |
| <i>Power-on-Reset</i>     |   |      |      |       |         |
|                           | When RESET is active the GMU (general mute) bit is set and the I <sup>2</sup> C-bus receiver is in RESET position |      |      |       |         |
| $V_{CC}$                  | Increasing supply voltage<br>start of reset   | –    | –    | 2,5   | V       |
| $V_{CC}$                  | end of reset  | 5,2  | 6,0  | 6,8   | V       |
| $V_{CC}$                  | Decreasing supply voltage; start of reset   | 4,2  | 5,0  | 5,8   | V       |

**Notes to the characteristics**

- The indicated values for output power assume a 6 W power amplifier with 20 dB gain, connected to the output of the

Sound fader control circuit

TEA6300  
TEA6300T

circuit. Signal-to-noise ratios exclude noise contribution of the power amplifier.

2. Signal-to-noise ratios on a CCIR 468-2 average meter reading are 4,5 dB better than on CCIR 468-2 quasi peak.

I<sup>2</sup>C-BUS FORMAT

|   |               |   |            |   |      |   |   |
|---|---------------|---|------------|---|------|---|---|
| S | SLAVE ADDRESS | A | SUBADDRESS | A | DATA | A | P |
|---|---------------|---|------------|---|------|---|---|

- S = start condition
- SLAVE ADDRESS = 1000 0000
- A = acknowledge, generated by the slave
- SUBADDRESS = see Table 1
- DATA = see Table 1
- P = STOP condition

If more than 1 byte of DATA is transmitted, then auto-increment of the subaddress is performed.

Table 1 I<sup>2</sup>C-bus; subaddress/data

| FUNCTION     | SUBADDRESS | DATA |    |     |     |     |     |     |     |
|--------------|------------|------|----|-----|-----|-----|-----|-----|-----|
|              |            | D7   | D6 | D5  | D4  | D3  | D2  | D1  | D0  |
| volume left  | 00000000   | X    | X  | VL5 | VL4 | VL3 | VL2 | VL1 | VL0 |
| volume right | 00000001   | X    | X  | VR5 | VR4 | VR3 | VR2 | VR1 | VR0 |
| bass         | 00000010   | X    | X  | X   | X   | BA3 | BA2 | BA1 | BA0 |
| treble       | 00000011   | X    | X  | X   | X   | TR3 | TR2 | TR1 | TR0 |
| fader        | 00000100   | X    | X  | MFN | FCH | FA3 | FA2 | FA1 | FA0 |
| switch       | 00000101   | GMU  | X  | X   | X   | X   | SCC | SCB | SCA |

Function of the bits:

- VL0 to VL5 volume control left
- VR0 to VR5 volume control right
- BA0 to BA3 bass control
- TR0 to TR3 treble control
- FA0 to FA3 fader control
- FCH select fader channel (front or rear)
- MFN mute control of the selected fader channel (front or rear)
- SCA to SCC source selector control
- GMU mute control (general mute)  
for the outputs QLF, QLR, QRF and QRR
- X don't care bits (logic 1 during testing)

## Sound fader control circuit

TEA6300  
TEA6300T**Table 2** Bass setting

| G <sub>V</sub><br>DB | DATA |     |     |     |
|----------------------|------|-----|-----|-----|
|                      | BA3  | BA2 | BA1 | BA0 |
| +15                  | 1    | 1   | 1   | 1   |
| +15                  | 1    | 1   | 1   | 0   |
| +15                  | 1    | 1   | 0   | 1   |
| +15                  | 1    | 1   | 0   | 0   |
| +12                  | 1    | 0   | 1   | 1   |
| + 9                  | 1    | 0   | 1   | 0   |
| + 6                  | 1    | 0   | 0   | 1   |
| + 3                  | 1    | 0   | 0   | 0   |
| 0                    | 0    | 1   | 1   | 1   |
| - 3                  | 0    | 1   | 1   | 0   |
| - 6                  | 0    | 1   | 0   | 1   |
| - 9                  | 0    | 1   | 0   | 0   |
| -12                  | 0    | 0   | 1   | 1   |
| -12                  | 0    | 0   | 1   | 0   |
| -12                  | 0    | 0   | 0   | 1   |
| -12                  | 0    | 0   | 0   | 0   |

**Table 3** Treble setting

| G <sub>V</sub><br>DB | DATA |     |     |     |
|----------------------|------|-----|-----|-----|
|                      | TR3  | TR2 | TR1 | TR0 |
| +12                  | 1    | 1   | 1   | 1   |
| +12                  | 1    | 1   | 1   | 0   |
| +12                  | 1    | 1   | 0   | 1   |
| +12                  | 1    | 1   | 0   | 0   |
| +12                  | 1    | 0   | 1   | 1   |
| + 9                  | 1    | 0   | 1   | 0   |
| + 6                  | 1    | 0   | 0   | 1   |
| + 3                  | 1    | 0   | 0   | 0   |
| 0                    | 0    | 1   | 1   | 1   |
| - 3                  | 0    | 1   | 1   | 0   |
| - 6                  | 0    | 1   | 0   | 1   |
| - 9                  | 0    | 1   | 0   | 0   |
| -12                  | 0    | 0   | 1   | 1   |
| -12                  | 0    | 0   | 1   | 0   |
| -12                  | 0    | 0   | 0   | 1   |
| -12                  | 0    | 0   | 0   | 0   |

Sound fader control circuit

TEA6300  
TEA6300T

**Table 4** Volume setting LEFT

| G <sub>V</sub><br>DB | DATA |     |     |     |     |     |
|----------------------|------|-----|-----|-----|-----|-----|
|                      | VL5  | VL4 | VL3 | VL2 | VL1 | VL0 |
| 20                   | 1    | 1   | 1   | 1   | 1   | 1   |
| 18                   | 1    | 1   | 1   | 1   | 1   | 0   |
| 16                   | 1    | 1   | 1   | 1   | 0   | 1   |
| 14                   | 1    | 1   | 1   | 1   | 0   | 0   |
| 12                   | 1    | 1   | 1   | 0   | 1   | 1   |
| 10                   | 1    | 1   | 1   | 0   | 1   | 0   |
| 8                    | 1    | 1   | 1   | 0   | 0   | 1   |
| 6                    | 1    | 1   | 1   | 0   | 0   | 0   |
| 4                    | 1    | 1   | 0   | 1   | 1   | 1   |
| 2                    | 1    | 1   | 0   | 1   | 1   | 0   |
| 0                    | 1    | 1   | 0   | 1   | 0   | 1   |
| - 2                  | 1    | 1   | 0   | 1   | 0   | 0   |
| - 4                  | 1    | 1   | 0   | 0   | 1   | 1   |
| - 6                  | 1    | 1   | 0   | 0   | 1   | 0   |
| - 8                  | 1    | 1   | 0   | 0   | 0   | 1   |
| -10                  | 1    | 1   | 0   | 0   | 0   | 0   |
| -12                  | 1    | 0   | 1   | 1   | 1   | 1   |
| -14                  | 1    | 0   | 1   | 1   | 1   | 0   |
| -16                  | 1    | 0   | 1   | 1   | 0   | 1   |
| -18                  | 1    | 0   | 1   | 1   | 0   | 0   |
| -20                  | 1    | 0   | 1   | 0   | 1   | 1   |
| -22                  | 1    | 0   | 1   | 0   | 1   | 0   |
| -24                  | 1    | 0   | 1   | 0   | 0   | 1   |
| -26                  | 1    | 0   | 1   | 0   | 0   | 0   |
| -28                  | 1    | 0   | 0   | 1   | 1   | 1   |

| G <sub>V</sub><br>DB | DATA |     |     |     |     |     |
|----------------------|------|-----|-----|-----|-----|-----|
|                      | VL5  | VL4 | VL3 | VL2 | VL1 | VL0 |
| -30                  | 1    | 0   | 0   | 1   | 1   | 0   |
| -32                  | 1    | 0   | 0   | 1   | 0   | 1   |
| -34                  | 1    | 0   | 0   | 1   | 0   | 0   |
| -36                  | 1    | 0   | 0   | 0   | 1   | 1   |
| -38                  | 1    | 0   | 0   | 0   | 1   | 0   |
| -40                  | 1    | 0   | 0   | 0   | 0   | 1   |
| -42                  | 1    | 0   | 0   | 0   | 0   | 0   |
| -44                  | 0    | 1   | 1   | 1   | 1   | 1   |
| -46                  | 0    | 1   | 1   | 1   | 1   | 0   |
| -48                  | 0    | 1   | 1   | 1   | 0   | 1   |
| -50                  | 0    | 1   | 1   | 1   | 0   | 0   |
| -52                  | 0    | 1   | 1   | 0   | 1   | 1   |
| -54                  | 0    | 1   | 1   | 0   | 1   | 0   |
| -56                  | 0    | 1   | 1   | 0   | 0   | 1   |
| -58                  | 0    | 1   | 1   | 0   | 0   | 0   |
| -60                  | 0    | 1   | 0   | 1   | 1   | 1   |
| -62                  | 0    | 1   | 0   | 1   | 1   | 0   |
| -64                  | 0    | 1   | 0   | 1   | 0   | 1   |
| -66                  | 0    | 1   | 0   | 1   | 0   | 0   |
| mute left            | 0    | 1   | 0   | 0   | 1   | 1   |
| mute left            | 0    | 1   | 0   | 0   | 1   | 0   |
| .                    |      |     |     | .   |     |     |
| .                    |      |     |     | .   |     |     |
| .                    |      |     |     | .   |     |     |
| mute left            | 0    | 0   | 0   | 0   | 0   | 0   |

Sound fader control circuit

TEA6300  
TEA6300T

**Table 5** Volume setting RIGHT

| G <sub>V</sub><br>DB | DATA |     |     |     |     |     |
|----------------------|------|-----|-----|-----|-----|-----|
|                      | VR5  | VR4 | VR3 | VR2 | VR1 | VR0 |
| 20                   | 1    | 1   | 1   | 1   | 1   | 1   |
| 18                   | 1    | 1   | 1   | 1   | 1   | 0   |
| 16                   | 1    | 1   | 1   | 1   | 0   | 1   |
| 14                   | 1    | 1   | 1   | 1   | 0   | 0   |
| 12                   | 1    | 1   | 1   | 0   | 1   | 1   |
| 10                   | 1    | 1   | 1   | 0   | 1   | 0   |
| 8                    | 1    | 1   | 1   | 0   | 0   | 1   |
| 6                    | 1    | 1   | 1   | 0   | 0   | 0   |
| 4                    | 1    | 1   | 0   | 1   | 1   | 1   |
| 2                    | 1    | 1   | 0   | 1   | 1   | 0   |
| 0                    | 1    | 1   | 0   | 1   | 0   | 1   |
| - 2                  | 1    | 1   | 0   | 1   | 0   | 0   |
| - 4                  | 1    | 1   | 0   | 0   | 1   | 1   |
| - 6                  | 1    | 1   | 0   | 0   | 1   | 0   |
| - 8                  | 1    | 1   | 0   | 0   | 0   | 1   |
| -10                  | 1    | 1   | 0   | 0   | 0   | 0   |
| -12                  | 1    | 0   | 1   | 1   | 1   | 1   |
| -14                  | 1    | 0   | 1   | 1   | 1   | 0   |
| -16                  | 1    | 0   | 1   | 1   | 0   | 1   |
| -18                  | 1    | 0   | 1   | 1   | 0   | 0   |
| -20                  | 1    | 0   | 1   | 0   | 1   | 1   |
| -22                  | 1    | 0   | 1   | 0   | 1   | 0   |
| -24                  | 1    | 0   | 1   | 0   | 0   | 1   |
| -26                  | 1    | 0   | 1   | 0   | 0   | 0   |
| -28                  | 1    | 0   | 0   | 1   | 1   | 1   |

| G <sub>V</sub><br>DB | DATA |     |     |     |     |     |
|----------------------|------|-----|-----|-----|-----|-----|
|                      | VR5  | VR4 | VR3 | VR2 | VR1 | VR0 |
| -30                  | 1    | 0   | 0   | 1   | 1   | 0   |
| -32                  | 1    | 0   | 0   | 1   | 0   | 1   |
| -34                  | 1    | 0   | 0   | 1   | 0   | 0   |
| -36                  | 1    | 0   | 0   | 0   | 1   | 1   |
| -38                  | 1    | 0   | 0   | 0   | 1   | 0   |
| -40                  | 1    | 0   | 0   | 0   | 0   | 1   |
| -42                  | 1    | 0   | 0   | 0   | 0   | 0   |
| -44                  | 0    | 1   | 1   | 1   | 1   | 1   |
| -46                  | 0    | 1   | 1   | 1   | 1   | 0   |
| -48                  | 0    | 1   | 1   | 1   | 0   | 1   |
| -50                  | 0    | 1   | 1   | 1   | 0   | 0   |
| -52                  | 0    | 1   | 1   | 0   | 1   | 1   |
| -54                  | 0    | 1   | 1   | 0   | 1   | 0   |
| -56                  | 0    | 1   | 1   | 0   | 0   | 1   |
| -58                  | 0    | 1   | 1   | 0   | 0   | 0   |
| -60                  | 0    | 1   | 0   | 1   | 1   | 1   |
| -62                  | 0    | 1   | 0   | 1   | 1   | 0   |
| -64                  | 0    | 1   | 0   | 1   | 0   | 1   |
| -66                  | 0    | 1   | 0   | 1   | 0   | 0   |
| mute right           | 0    | 1   | 0   | 0   | 1   | 1   |
| mute right           | 0    | 1   | 0   | 0   | 1   | 0   |
| .                    |      |     |     | .   |     |     |
| .                    |      |     |     | .   |     |     |
| .                    |      |     |     | .   |     |     |
| mute right           | 0    | 0   | 0   | 0   | 0   | 0   |

Sound fader control circuit

TEA6300  
TEA6300T

Table 6 Fader function

| SETTING    |    | DATA        |     |     |     |     |     |
|------------|----|-------------|-----|-----|-----|-----|-----|
| FRONT REAR |    |             |     |     |     |     |     |
| DB         | DB | MFN         | FCH | FA3 | FA2 | FA1 | FA0 |
|            |    | fader off   |     |     |     |     |     |
| 0          | 0  | 1           | 1   | 1   | 1   | 1   | 1   |
| 0          | 0  | 0           | 1   | 1   | 1   | 1   | 1   |
|            |    | fader front |     |     |     |     |     |
| -2         | 0  | 1           | 1   | 1   | 1   | 1   | 0   |
| -4         | 0  | 1           | 1   | 1   | 1   | 0   | 1   |
| -6         | 0  | 1           | 1   | 1   | 1   | 0   | 0   |
| -8         | 0  | 1           | 1   | 1   | 0   | 1   | 1   |
| -10        | 0  | 1           | 1   | 1   | 0   | 1   | 0   |
| -12        | 0  | 1           | 1   | 1   | 0   | 0   | 1   |
| -14        | 0  | 1           | 1   | 1   | 0   | 0   | 0   |
| -16        | 0  | 1           | 1   | 0   | 1   | 1   | 1   |
| -18        | 0  | 1           | 1   | 0   | 1   | 1   | 0   |
| -20        | 0  | 1           | 1   | 0   | 1   | 0   | 1   |
| -22        | 0  | 1           | 1   | 0   | 1   | 0   | 0   |
| -24        | 0  | 1           | 1   | 0   | 0   | 1   | 1   |
| -26        | 0  | 1           | 1   | 0   | 0   | 1   | 0   |
| -28        | 0  | 1           | 1   | 0   | 0   | 0   | 1   |
| -30        | 0  | 1           | 1   | 0   | 0   | 0   | 0   |
|            |    | mute front  |     |     |     |     |     |
| -80        | 0  | 0           | 1   | 1   | 1   | 1   | 0   |
| .          | .  |             |     | .   |     |     |     |
| .          | .  |             |     | .   |     |     |     |
| .          | .  |             |     | .   |     |     |     |
| -80        | 0  | 0           | 1   | 0   | 0   | 0   | 0   |

| SETTING    |     | DATA       |     |     |     |     |     |
|------------|-----|------------|-----|-----|-----|-----|-----|
| FRONT REAR |     |            |     |     |     |     |     |
| DB         | DB  | MFN        | FCH | FA3 | FA2 | FA1 | FA0 |
|            |     | fader off  |     |     |     |     |     |
| 0          | 0   | 1          | 0   | 1   | 1   | 1   | 1   |
| 0          | 0   | 0          | 0   | 1   | 1   | 1   | 1   |
|            |     | fader rear |     |     |     |     |     |
| 0          | -2  | 1          | 0   | 1   | 1   | 1   | 0   |
| 0          | -4  | 1          | 0   | 1   | 1   | 0   | 1   |
| 0          | -6  | 1          | 0   | 1   | 1   | 0   | 0   |
| 0          | -8  | 1          | 0   | 1   | 0   | 1   | 1   |
| 0          | -10 | 1          | 0   | 1   | 0   | 1   | 0   |
| 0          | -12 | 1          | 0   | 1   | 0   | 0   | 1   |
| 0          | -14 | 1          | 0   | 1   | 0   | 0   | 0   |
| 0          | -16 | 1          | 0   | 0   | 1   | 1   | 1   |
| 0          | -18 | 1          | 0   | 0   | 1   | 1   | 0   |
| 0          | -20 | 1          | 0   | 0   | 1   | 0   | 1   |
| 0          | -22 | 1          | 0   | 0   | 1   | 0   | 0   |
| 0          | -24 | 1          | 0   | 0   | 0   | 1   | 1   |
| 0          | -26 | 1          | 0   | 0   | 0   | 1   | 0   |
| 0          | -28 | 1          | 0   | 0   | 0   | 0   | 1   |
| 0          | -30 | 1          | 0   | 0   | 0   | 0   | 0   |
|            |     | mute rear  |     |     |     |     |     |
| 0          | -80 | 0          | 0   | 1   | 1   | 1   | 0   |
| .          | .   |            |     | .   |     |     |     |
| .          | .   |            |     | .   |     |     |     |
| .          | .   |            |     | .   |     |     |     |
| 0          | -80 | 0          | 0   | 0   | 0   | 0   | 0   |

Table 7 Selected inputs

| SELECTED INPUTS  | DATA |     |     |
|------------------|------|-----|-----|
|                  | SCC  | SCB | SCA |
| data not allowed | 1    | 1   | 1   |
| data not allowed | 1    | 1   | 0   |
| data not allowed | 1    | 0   | 1   |
| INLC, INRC       | 1    | 0   | 0   |
| data not allowed | 0    | 1   | 1   |
| INLB, INRB       | 0    | 1   | 0   |
| INLA, INRA       | 0    | 0   | 1   |
| data not allowed | 0    | 0   | 0   |

Table 8 Mute control

| MUTE CONTROL | DATA GMU | REMARKS                                   |
|--------------|----------|---|
| active       | 1        | outputs QLF, QLR<br>QRF and QRR are muted |
| passive      | 0        | no general mute                           |

Sound fader control circuit

TEA6300  
TEA6300T

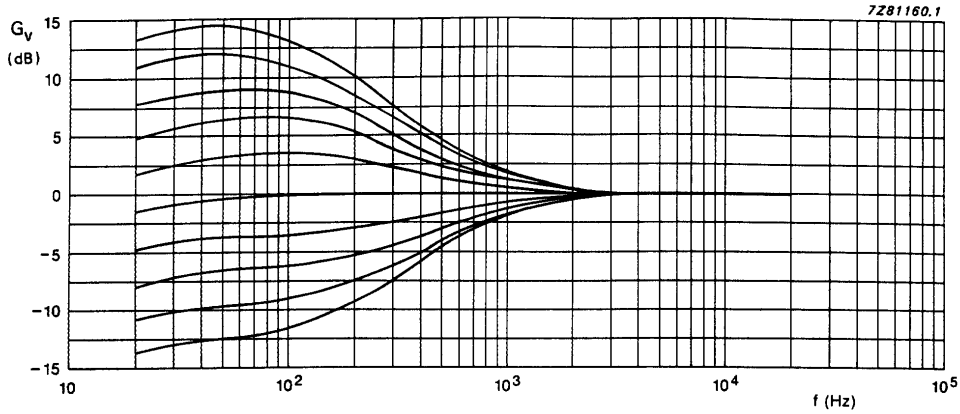


Fig.3 Bass control without T-pass filter.

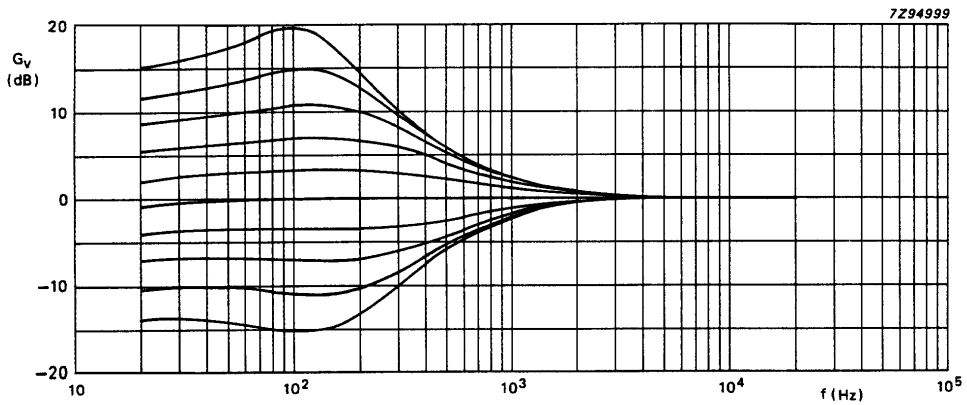
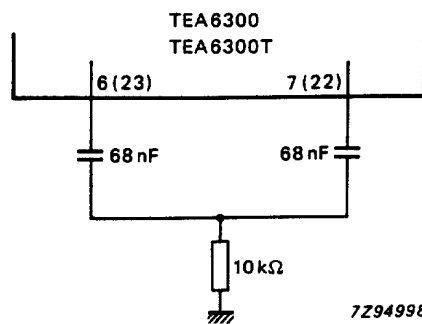


Fig.4 Bass control with T-pass filter.



Pin numbers in parentheses refer to the bass control, right channel.

Fig.5 T-pass filter.

Sound fader control circuit

TEA6300  
TEA6300T

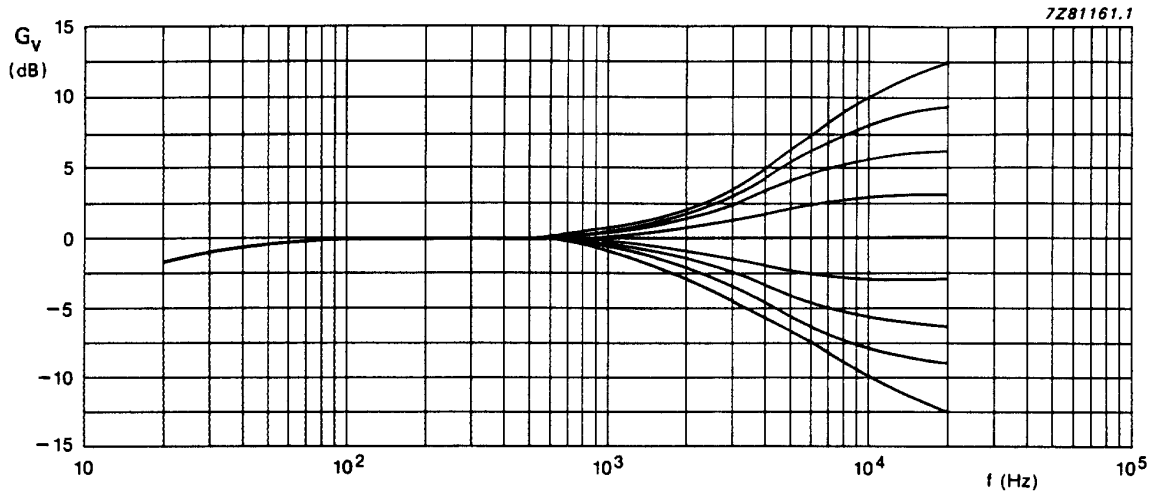


Fig.6 Treble control.

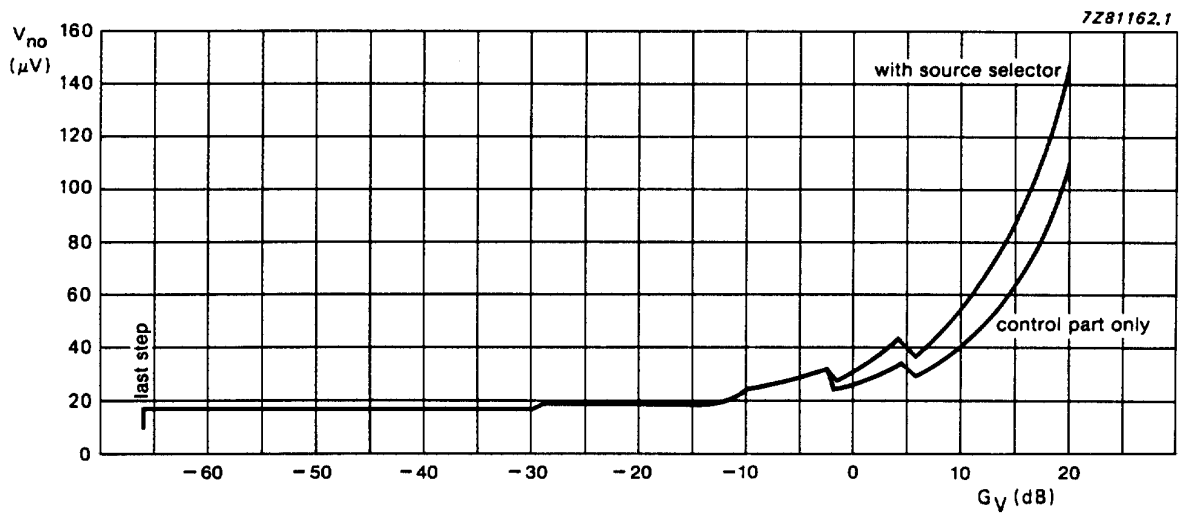


Fig.7 Output noise voltage (CCIR 468-2 weighted: quasi peak).



Sound fader control circuit

TEA6300  
TEA6300T

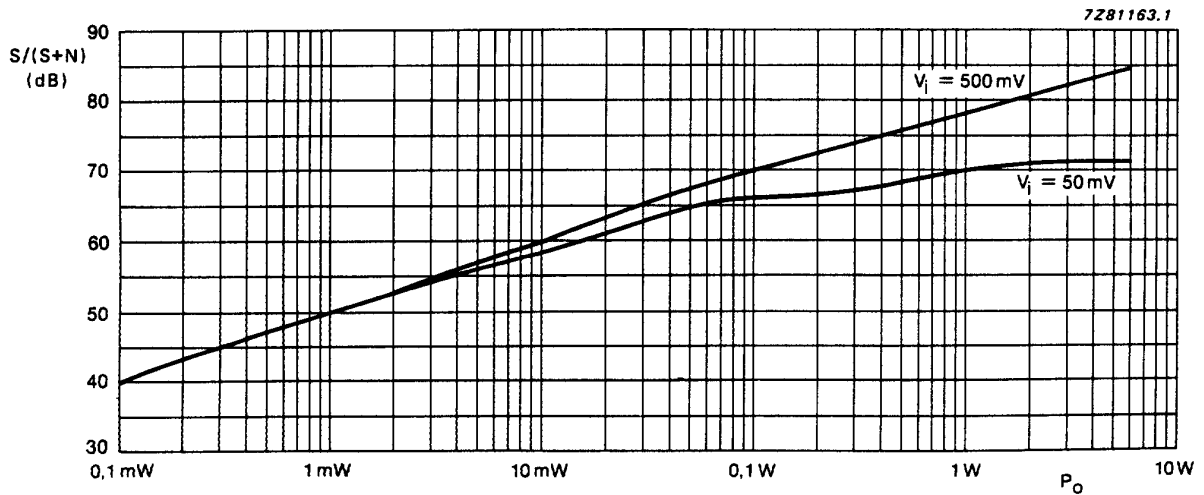


Fig.8 Signal-to-noise ratio (CCIT 468-2 weighted; quasi peak) with a 6 W power amplifier (gain 20 dB) without noise contribution of the power amplifier (see Fig.9).

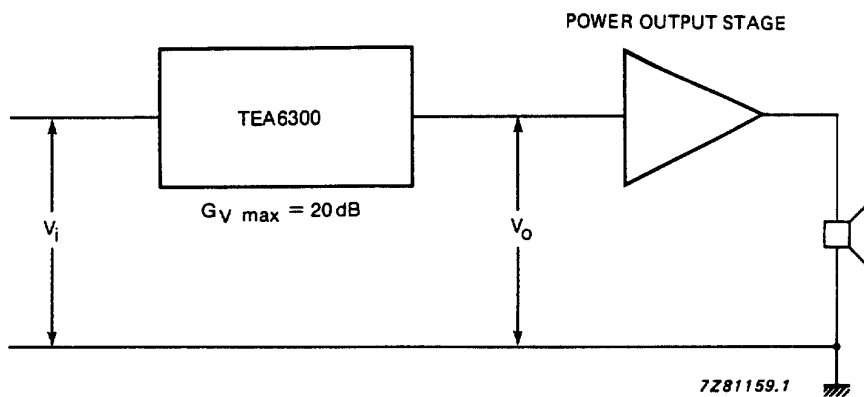


Fig.9 Recommended level diagram;  $V_{i\ min} = 50$  mV,  $V_o = 500$  mV for  $P_{max}$ .

Sound fader control circuit

TEA6300  
TEA6300T

APPLICATION INFORMATION

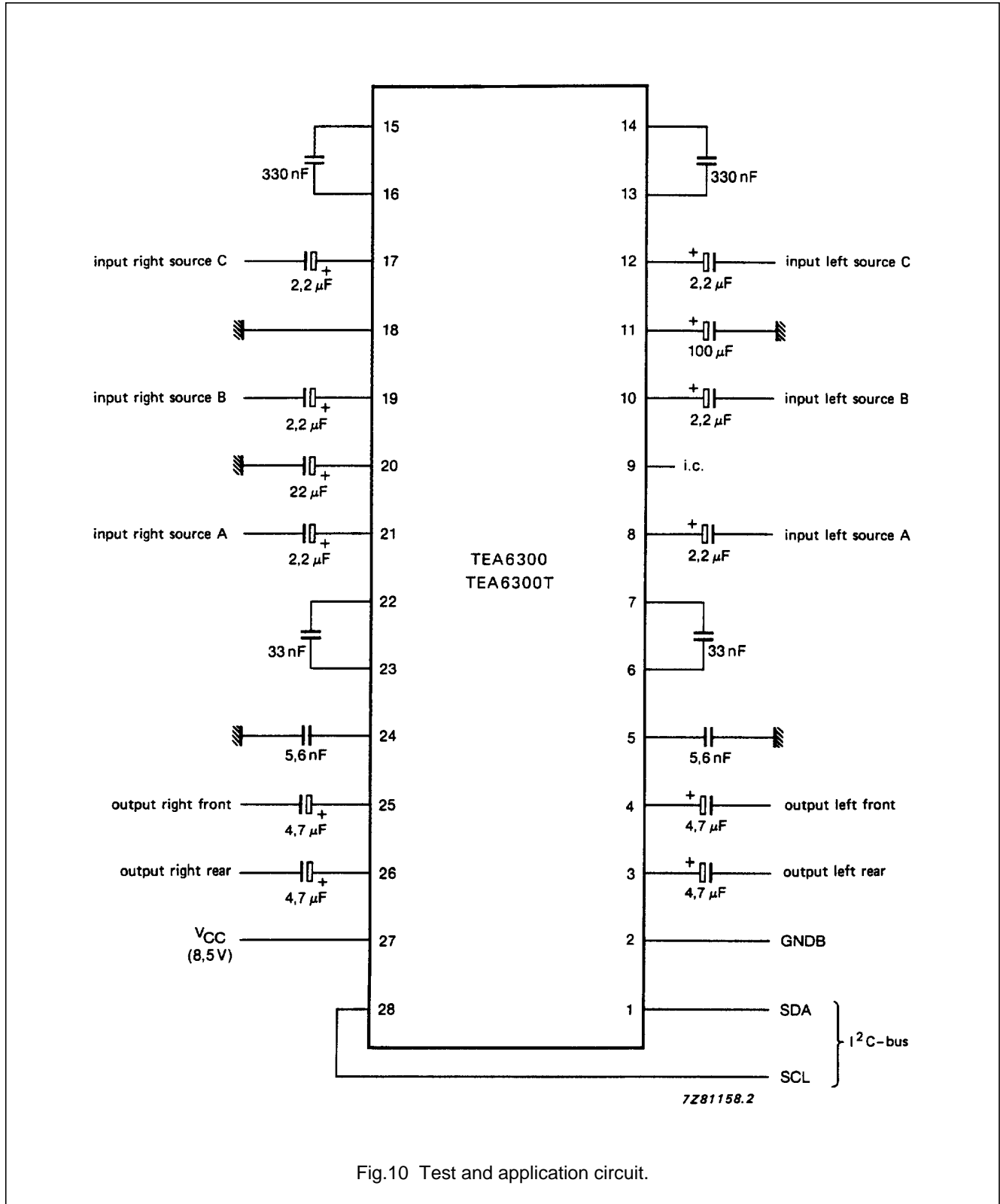


Fig.10 Test and application circuit.

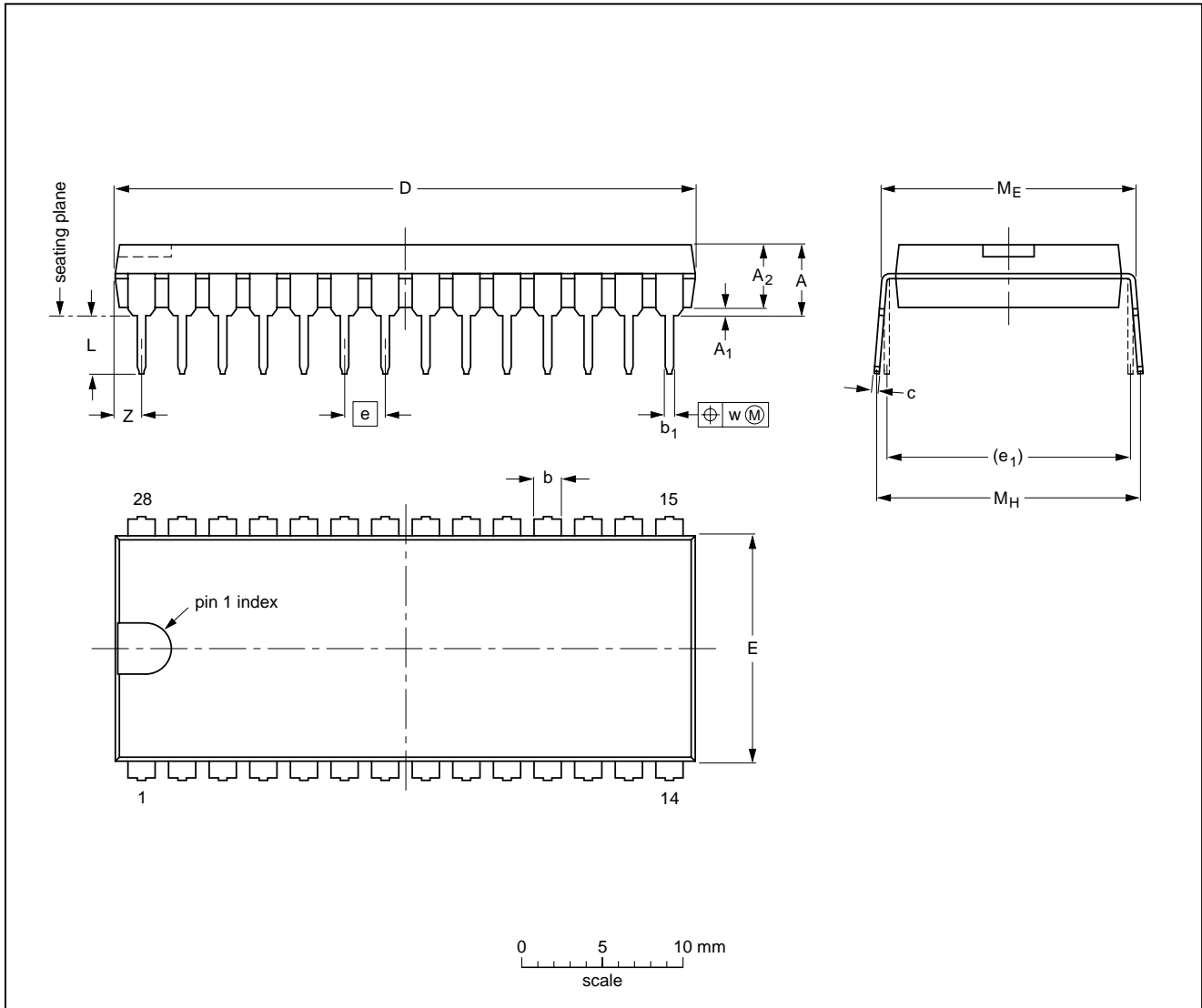
Sound fader control circuit

TEA6300  
TEA6300T

PACKAGE OUTLINES

DIP28: plastic dual in-line package; 28 leads (600 mil)

SOT117-1



DIMENSIONS (inch dimensions are derived from the original mm dimensions)

| UNIT   | A max. | A <sub>1</sub> min. | A <sub>2</sub> max. | b              | b <sub>1</sub> | c              | D <sup>(1)</sup> | E <sup>(1)</sup> | e    | e <sub>1</sub> | L            | M <sub>E</sub> | M <sub>H</sub> | w    | Z <sup>(1)</sup> max. |
|--------|--------|---------------------|---------------------|----------------|----------------|----------------|------------------|------------------|------|----------------|--------------|----------------|----------------|------|-----------------------|
| mm     | 5.1    | 0.51                | 4.0                 | 1.7<br>1.3     | 0.53<br>0.38   | 0.32<br>0.23   | 36.0<br>35.0     | 14.1<br>13.7     | 2.54 | 15.24          | 3.9<br>3.4   | 15.80<br>15.24 | 17.15<br>15.90 | 0.25 | 1.7                   |
| inches | 0.20   | 0.020               | 0.16                | 0.066<br>0.051 | 0.020<br>0.014 | 0.013<br>0.009 | 1.41<br>1.34     | 0.56<br>0.54     | 0.10 | 0.60           | 0.15<br>0.13 | 0.62<br>0.60   | 0.68<br>0.63   | 0.01 | 0.067                 |

Note

1. Plastic or metal protrusions of 0.25 mm maximum per side are not included.

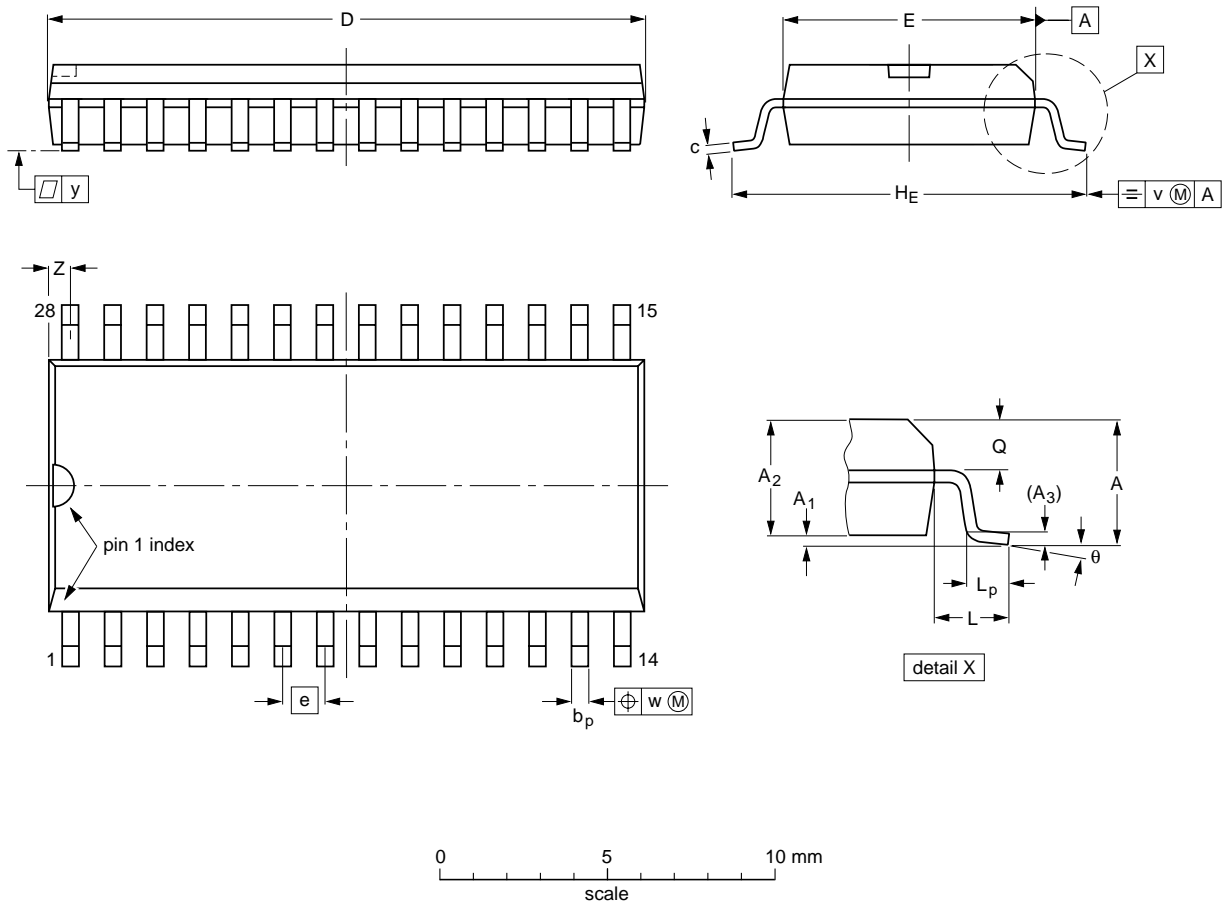
| OUTLINE VERSION | REFERENCES |          |      |  | EUROPEAN PROJECTION | ISSUE DATE           |
|-----------------|------------|----------|------|--|---------------------|----------------------|
|                 | IEC        | JEDEC    | EIAJ |  |                     |                      |
| SOT117-1        | 051G05     | MO-015AH |      |  |                     | 92-11-17<br>95-01-14 |

Sound fader control circuit

TEA6300  
TEA6300T

SO28: plastic small outline package; 28 leads; body width 7.5 mm

SOT136-1



**DIMENSIONS** (inch dimensions are derived from the original mm dimensions)

| UNIT   | A max. | A <sub>1</sub> | A <sub>2</sub> | A <sub>3</sub> | b <sub>p</sub> | c              | D <sup>(1)</sup> | E <sup>(1)</sup> | e     | H <sub>E</sub> | L     | L <sub>p</sub> | Q              | v    | w    | y     | z <sup>(1)</sup> | θ        |
|--------|--------|----------------|----------------|----------------|----------------|----------------|------------------|------------------|-------|----------------|-------|----------------|----------------|------|------|-------|------------------|----------|
| mm     | 2.65   | 0.30<br>0.10   | 2.45<br>2.25   | 0.25           | 0.49<br>0.36   | 0.32<br>0.23   | 18.1<br>17.7     | 7.6<br>7.4       | 1.27  | 10.65<br>10.00 | 1.4   | 1.1<br>0.4     | 1.1<br>1.0     | 0.25 | 0.25 | 0.1   | 0.9<br>0.4       | 8°<br>0° |
| inches | 0.10   | 0.012<br>0.004 | 0.096<br>0.089 | 0.01           | 0.019<br>0.014 | 0.013<br>0.009 | 0.71<br>0.69     | 0.30<br>0.29     | 0.050 | 0.419<br>0.394 | 0.055 | 0.043<br>0.016 | 0.043<br>0.039 | 0.01 | 0.01 | 0.004 | 0.035<br>0.016   |          |

**Note**

1. Plastic or metal protrusions of 0.15 mm maximum per side are not included.

| OUTLINE VERSION | REFERENCES |          |      |  | EUROPEAN PROJECTION | ISSUE DATE           |
|-----------------|------------|----------|------|--|---------------------|----------------------|
|                 | IEC        | JEDEC    | EIAJ |  |                     |                      |
| SOT136-1        | 075E06     | MS-013AE |      |  |                     | 95-01-24<br>97-05-22 |

## Sound fader control circuit

TEA6300  
TEA6300T

### SOLDERING

#### Introduction

There is no soldering method that is ideal for all IC packages. Wave soldering is often preferred when through-hole and surface mounted components are mixed on one printed-circuit board. However, wave soldering is not always suitable for surface mounted ICs, or for printed-circuits with high population densities. In these situations reflow soldering is often used.

This text gives a very brief insight to a complex technology. A more in-depth account of soldering ICs can be found in our "IC Package Databook" (order code 9398 652 90011).

#### DIP

##### SOLDERING BY DIPPING OR BY WAVE

The maximum permissible temperature of the solder is 260 °C; solder at this temperature must not be in contact with the joint for more than 5 seconds. The total contact time of successive solder waves must not exceed 5 seconds.

The device may be mounted up to the seating plane, but the temperature of the plastic body must not exceed the specified maximum storage temperature ( $T_{stg\ max}$ ). If the printed-circuit board has been pre-heated, forced cooling may be necessary immediately after soldering to keep the temperature within the permissible limit.

##### REPAIRING SOLDERED JOINTS

Apply a low voltage soldering iron (less than 24 V) to the lead(s) of the package, below the seating plane or not more than 2 mm above it. If the temperature of the soldering iron bit is less than 300 °C it may remain in contact for up to 10 seconds. If the bit temperature is between 300 and 400 °C, contact may be up to 5 seconds.

#### SO

##### REFLOW SOLDERING

Reflow soldering techniques are suitable for all SO packages.

Reflow soldering requires solder paste (a suspension of fine solder particles, flux and binding agent) to be applied to the printed-circuit board by screen printing, stencilling or pressure-syringe dispensing before package placement.

Several techniques exist for reflowing; for example, thermal conduction by heated belt. Dwell times vary between 50 and 300 seconds depending on heating method. Typical reflow temperatures range from 215 to 250 °C.

Preheating is necessary to dry the paste and evaporate the binding agent. Preheating duration: 45 minutes at 45 °C.

##### WAVE SOLDERING

Wave soldering techniques can be used for all SO packages if the following conditions are observed:

- A double-wave (a turbulent wave with high upward pressure followed by a smooth laminar wave) soldering technique should be used.
- The longitudinal axis of the package footprint must be parallel to the solder flow.
- The package footprint must incorporate solder thieves at the downstream end.

During placement and before soldering, the package must be fixed with a droplet of adhesive. The adhesive can be applied by screen printing, pin transfer or syringe dispensing. The package can be soldered after the adhesive is cured.

Maximum permissible solder temperature is 260 °C, and maximum duration of package immersion in solder is 10 seconds, if cooled to less than 150 °C within 6 seconds. Typical dwell time is 4 seconds at 250 °C.

A mildly-activated flux will eliminate the need for removal of corrosive residues in most applications.

##### REPAIRING SOLDERED JOINTS

Fix the component by first soldering two diagonally-opposite end leads. Use only a low voltage soldering iron (less than 24 V) applied to the flat part of the lead. Contact time must be limited to 10 seconds at up to 300 °C. When using a dedicated tool, all other leads can be soldered in one operation within 2 to 5 seconds between 270 and 320 °C.

---

**Sound fader control circuit**
**TEA6300**  
**TEA6300T**


---

**DEFINITIONS**

|   |   |
|---|---|
| <b>Data sheet status</b>  |   |
| Objective specification   | This data sheet contains target or goal specifications for product development.       |
| Preliminary specification   | This data sheet contains preliminary data; supplementary data may be published later. |
| Product specification   | This data sheet contains final product specifications.                                |
| <b>Limiting values</b>  |   |
| Limiting values given are in accordance with the Absolute Maximum Rating System (IEC 134). Stress above one or more of the limiting values may cause permanent damage to the device. These are stress ratings only and operation of the device at these or at any other conditions above those given in the Characteristics sections of the specification is not implied. Exposure to limiting values for extended periods may affect device reliability. |   |
| <b>Application information</b>  |   |
| Where application information is given, it is advisory and does not form part of the specification.   |   |

**LIFE SUPPORT APPLICATIONS**

These products are not designed for use in life support appliances, devices, or systems where malfunction of these products can reasonably be expected to result in personal injury. Philips customers using or selling these products for use in such applications do so at their own risk and agree to fully indemnify Philips for any damages resulting from such improper use or sale.