

## Product Brief TDA 6131XS

### Universal Mixer

The TDA 6131XS is a symmetrical mixer for frequencies up to 3 GHz. This IC is available in a very small package (50% of the size of the predecessor).



# TDA 6131XS

#### Potential Application

- All wireless systems
- Various TV and SAT applications

#### Features

- 2.7 to 4.5 V supply voltage
- -40 °C to +85 °C operational temperature range
- Standby function
- Reduced external components

#### Mixer

- Universal Gilbert cell mixer with adjustable mixer current
- Comparable with SO42P or TBB042G
- LO can be driven with external source or internal oscillator

#### Oscillator/LNA

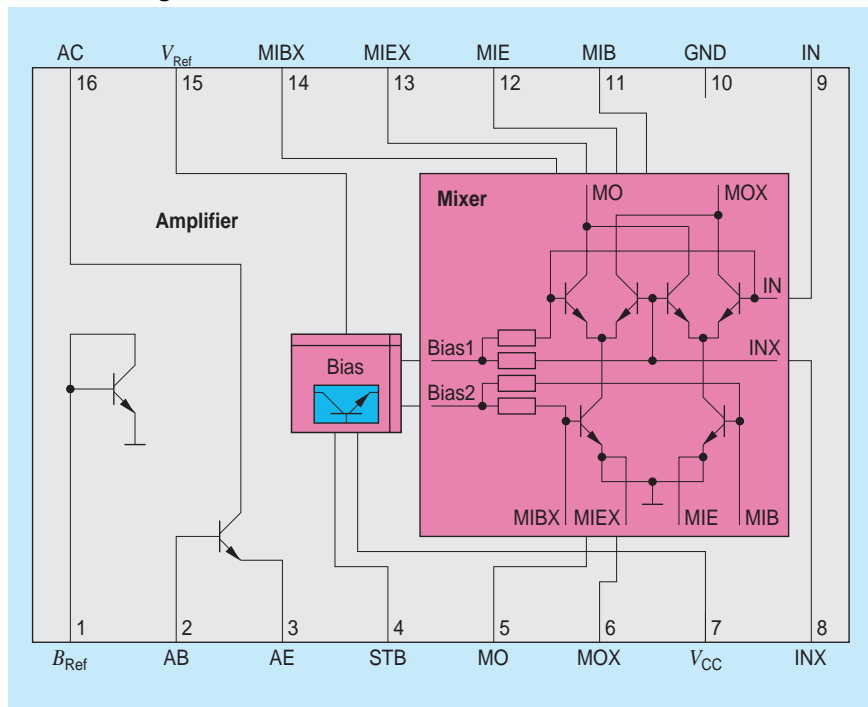
- Internal biased single transistor stage
- Multi purpose operation possible (oscillator, amplifier)
- Low noise performance
- Current adjustable

Features	Benefits
New B6HF bipolar technology, 25 GHz ft	High isolation between mixer ports; good crosstalk performance
Frequency range up to 3 GHz	Just one IC for all frequencies
Small outline P-TSSOP-16 package	Space saving

#### Packing

Type	Ordering Code	Package
TDA 6131XS	Q67036-A1021	P-DSO-16

# Block Diagram



## Availability

ES available;  
Product development release 03/98

## Price Projection

- Standard price list
- For Key and Focus accounts or high volumes you may contact your regional Siemens sales partner

Documentation	Date of Issue/Version
Specification	3/98

## Development and Support Tools

- No Evaluation Board, but Test Board (see Specification)

- A** Wien ☎ (+43) 1-1707-356 11
- AUS** Richmond (Melbourne), Vic. 3121 ☎ (+61) 3-9420 71 11
- B** Brussel/Bruxelles ☎ (+32) 2-536 23 48
- BR** São Paulo-SP ☎ (+55) 11-836 23 77/26 84
- CDN** Mississauga, Ontario L5T 1P2 ☎ (+1) 905-819 80 00
- CH** Zürich ☎ (+41) 1-495 30 65
- D** Düsseldorf ☎ (+49) 211-399 15 51  
Laatzen (Hannover) ☎ (+49) 511-877 27 06  
Nürnberg ☎ (+49) 911-654 76 22  
Stuttgart ☎ (+49) 711-137 33 14  
München ☎ (+49) 89-9221 40 86
- DK** Ballerup ☎ (+45) 4477-44 77
- E** Tres Cantos-Madrid ☎ (+34) 91-514 80 00
- F** Saint-Denis CEDEX 2 ☎ (+33) 1-4922 31 00
- FIN** Espoo (Helsinki) ☎ (+35) 9-5105 1
- GB** Berkshire RG 12 8FZ ☎ (+44) 1344-39 60 00
- GR** Amaroussio/Athen ☎ (+30) 1-686 41 11
- HK** Hong Kong ☎ (+852) 2832 05 00
- I** Milano ☎ (+39) 02-6676-1
- IND** New Delhi 110 014 ☎ (+91) 11-461 74 47  
Bangalore 560 001 ☎ (+91) 80-227 98 74  
Mumbai ☎ (+91) 22-496 21 99
- IRL** Dublin 4 ☎ (+353) 1-603 23 42
- J** Tokyo 141-0022 ☎ (+81) 3-5449 64 11
- MAL** Penang ☎ (+60) 4-644 99 75
- N** Oslo 5 ☎ (+47) 22-63 30 00
- NL** Den Haag ☎ (+31) 70-333 24 29
- NZ** Auckland ☎ (+64) 9-520 30 33
- P** Amadora ☎ (+35) 1-417 00 11
- PK** Islamabad ☎ (+92) 51-21 22 00
- PL** Warszawa ☎ (+48) 2-670 91 51
- RC** Taipei ☎ (+886) 2-2773 66 06
- ROK** Seoul 135-080 ☎ (+82) 2-527 77 00
- RUS** Moskva ☎ (+7) 095-237-64 76, -69 11
- S** Kista ☎ (+46) 8-703 35 00
- SGP** Singapore 349 253 ☎ (+65) 840 06 10
- TR** Findikli (Istanbul) ☎ (+90) 212-251 09 00
- USA** Cupertino, CA 95014 ☎ (+1) 408-777 45 00  
Cupertino, CA 95014 ☎ (+1) 408-257 79 10  
Iselin, NJ 08830-2770 ☎ (+1) 732-906 43 00
- VRC** Beijing ☎ (+86) 10-6857 90-06, -07  
Shanghai 200003 ☎ (+86) 21-6361 26 18/19
- ZA** Halfway House 1685 ☎ (+27) 11-652-20 00, -27 00

How to reach us:

<http://www.siemens.de/semiconductor>

© Siemens AG 1998.

All Rights Reserved.

Please note that any information contained in this publication may be subject to change. Siemens reserves the right to make changes to or to discontinue any product or service identified in this publication without notice.

Please contact our regional offices to receive the latest version of the relevant information to verify, before placing orders, that the information being relied upon is current.

All brand or product names, hardware or software names are trademarks of their respective companies or organizations.